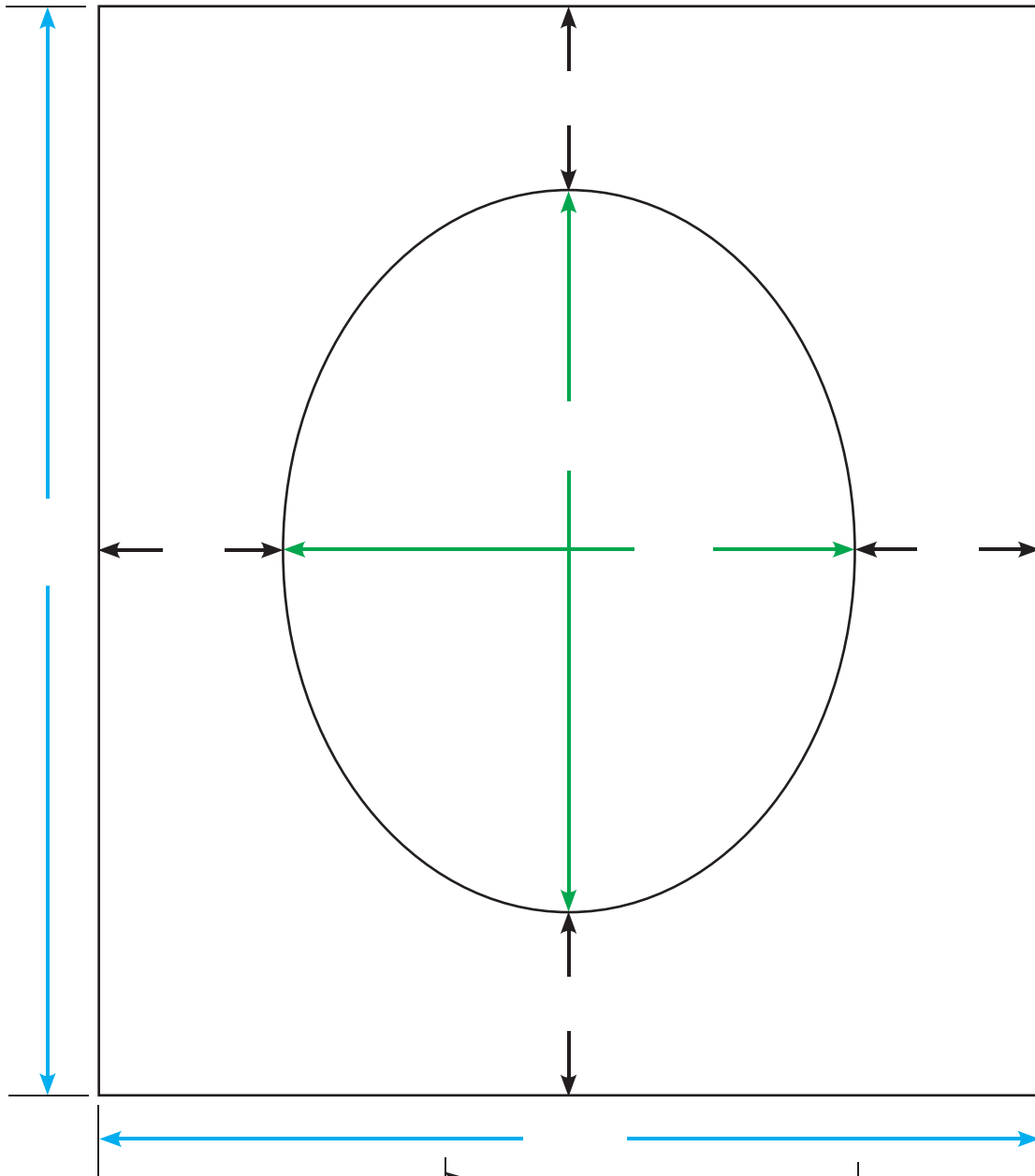


Framing Project Sheet: Oval Mat

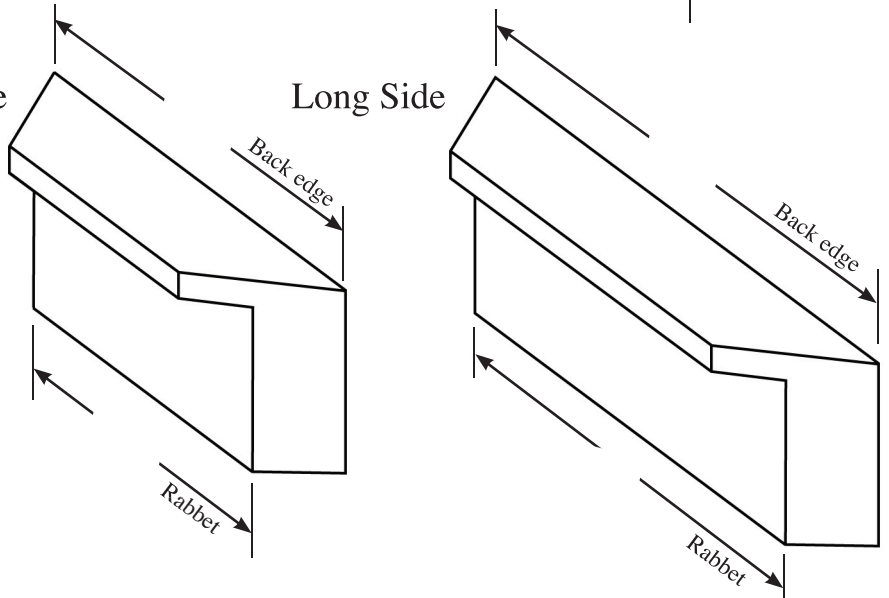
Project Name _____

Artist's Name _____ Date _____



Short Side

Long Side



Mat _____

Frame _____

Backing _____

Glazing _____