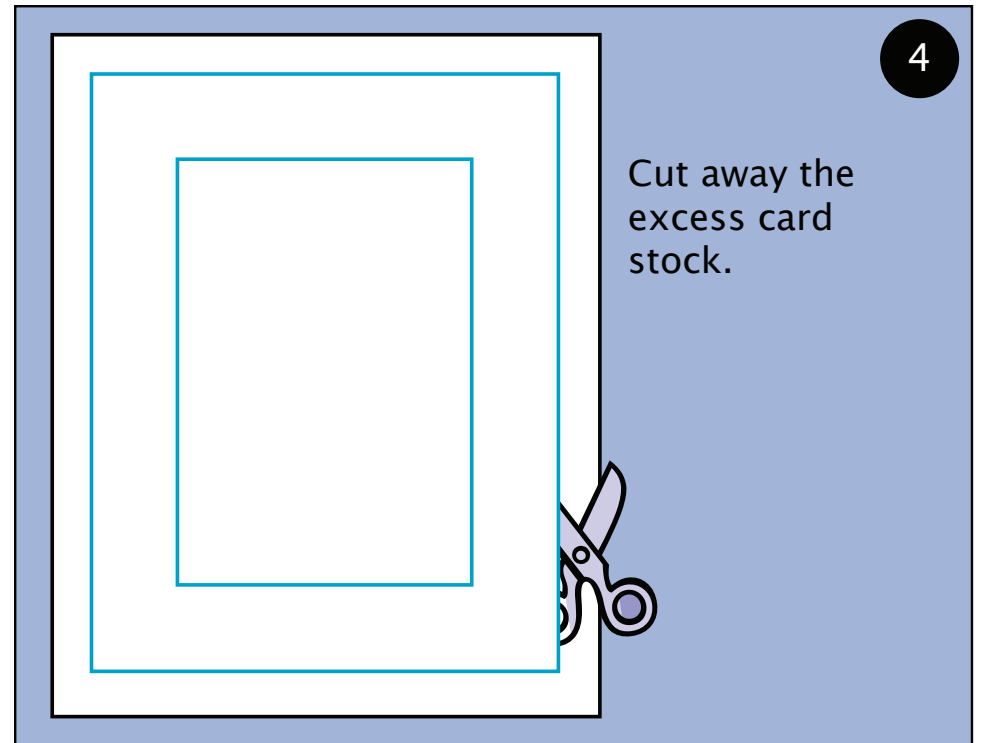
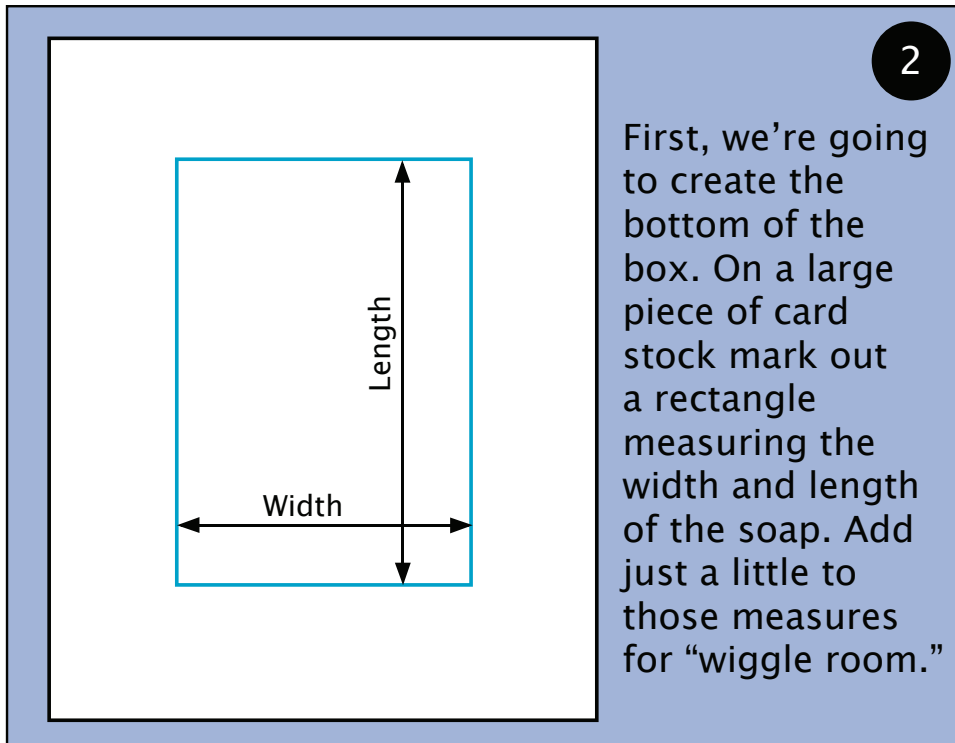
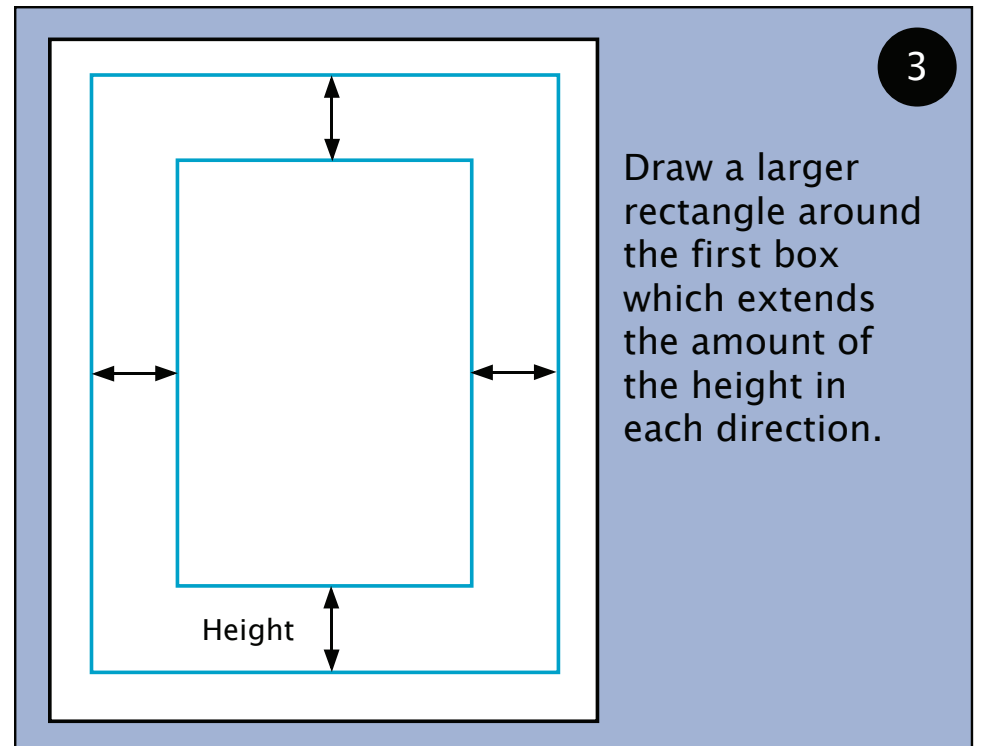
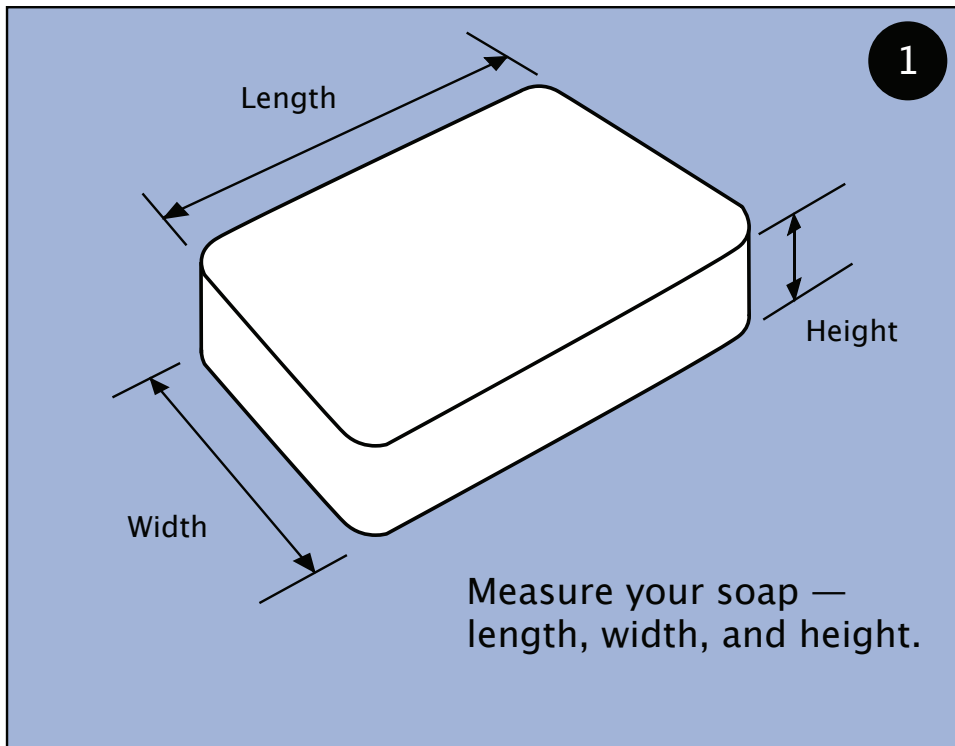
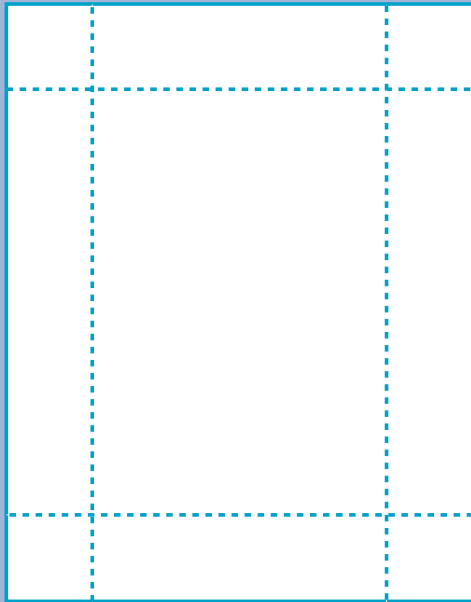




Making A Soap Box

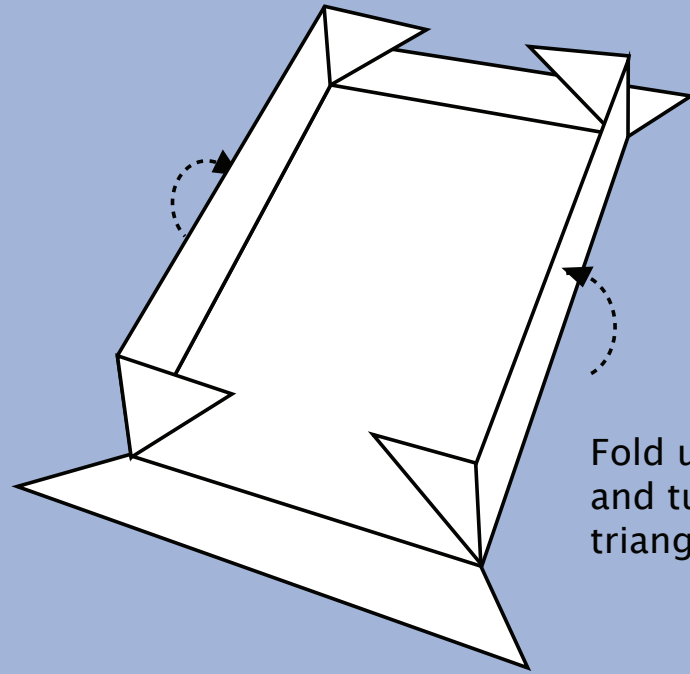


5



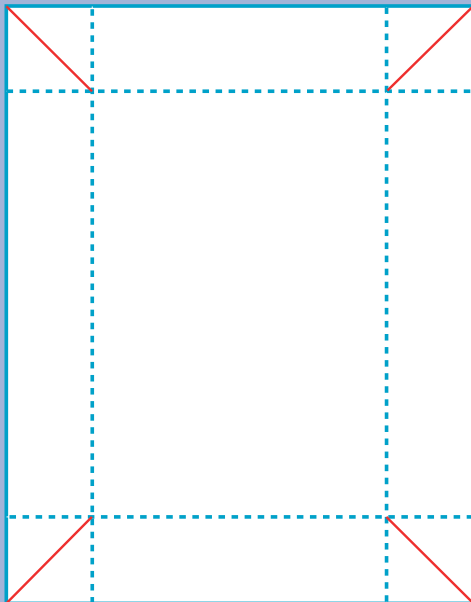
Score along the height and length lines extending the score to the edge of the card stock.

7



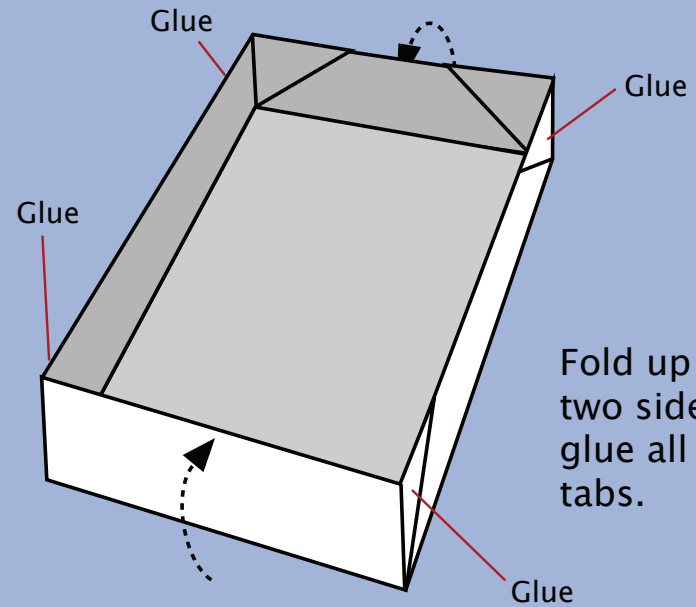
Fold up the sides and turn in the triangular tabs.

6

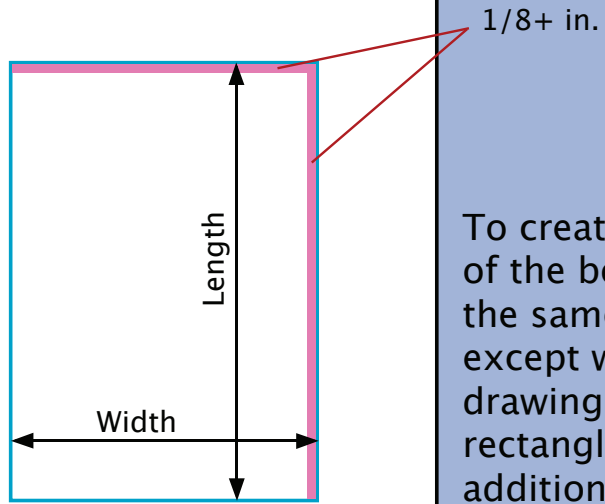


With an Exacto knife make diagonal cuts as indicated here in red.

8



Fold up the last two sides and glue all triangular tabs.



To create the top of the box follow the same steps, except when drawing the first rectangle add an addition $1/8+$ " to each dimension.