



Shadowbrook Lakes Homeowner's Association

Shadow Brook Lakes Gate Information

The Shadowbrook Lakes HOA has 3 devices that can be purchased to make opening the gate more convenient outside of the call box system. All RFID tags, cards, clickers, or call box numbers can be purchased and activated by contacting Magnolia Management at info@magnoliabr.com or by calling 225-286-7546. All clickers can either be picked up at the office located at 12090 S Harrell's Ferry Rd, Baton Rouge, LA 70816 (Mon-Fri 8am to 4pm) or they can be mailed to the owner. All devices can be paid for by either bringing in a check when picking up the device at the office or going to propertypay.firstcitizens.com to pay just as you would for HOA assessments.

The 4 options and information about all is detailed below.

❖ RFID Device

- Windshield RFID stickers are available for purchase at **\$30.00** per tag. Each sticker is registered to the property owner and each owner is responsible for the distribution, installation, and usage of their acquired tags. Of course, Magnolia and the Board will assist as needed.
- **Instructions for how to install the RFID Sticker are available on the HOA website or can be emailed to owners as requested by emailing Magnolia. They are also detailed below. Before purchasing, please read over the RFID instructions guide to verify that your vehicle is eligible to use this device. If you have any questions, please contact Magnolia for further assistance.**
- **Once acquired they should be placed in one of three places. (1) top right corner of the windshield, (2) bottom right corner of the windshield, or (3) above or below the rearview mirror mount in the high center of your windshield. The sticky side will be placed on the glass and the (separate) clear sticker cover can be placed over the RFID device for extra protection. Be sure to test the location prior to placing it on the windshield.** Once the RFID device is applied to the windshield, it will no longer work if removed, and they cannot be transferred from one vehicle to another. If you do this in error, you will have to buy a new **\$30** tag. In the event that a vehicle is sold or otherwise disposed of, you are to remove the RFID device, and inform Magnolia Mgmt. of that tag being no longer in service.

This Community is Professionally Managed By:

Magnolia Management Services

info@magnoliabr.com

(225) 286-7546



Shadowbrook Lakes Homeowner's Association

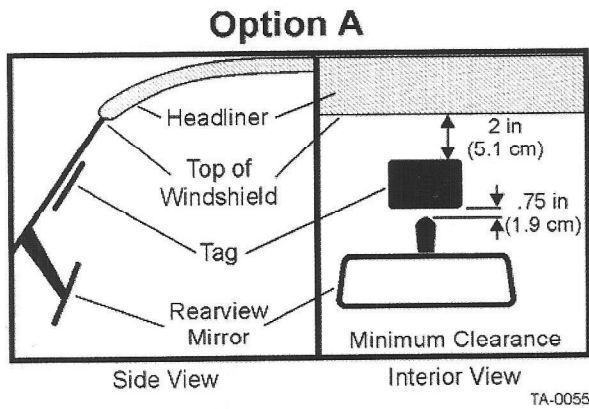
- ❖ Clickers
 - Clickers are available for purchase at **\$50** per clicker. You can receive one by contacting Magnolia Management.
- ❖ Cards
 - Cards are available for purchase at **\$35** per card. You can receive one by contacting Magnolia Management.
- ❖ Call box codes
 - Call box codes can be inputted or updated by contacting Magnolia Management Services at info@magnoliabr.com or by calling 225-286-7546.

UHF Reader Tag Installation

The UHF Sticker Tag should be installed on the upper center or upper corner portion of the windshield. If the upper portion of the windshield is tinted with an aftermarket conductive tint, use placement Option B.

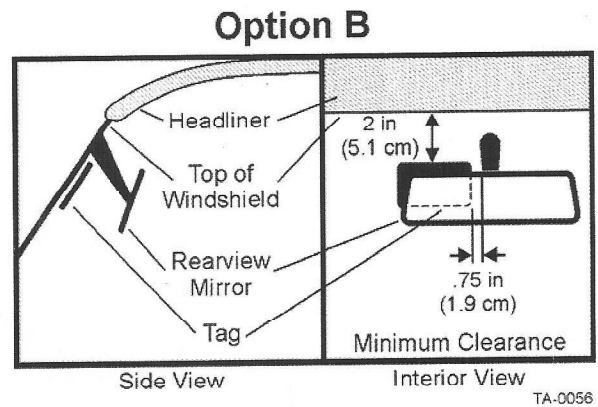
Mirror Post Attached Low On Windshield

Choose placement **Option A** if the mirror post is attached low on the windshield.



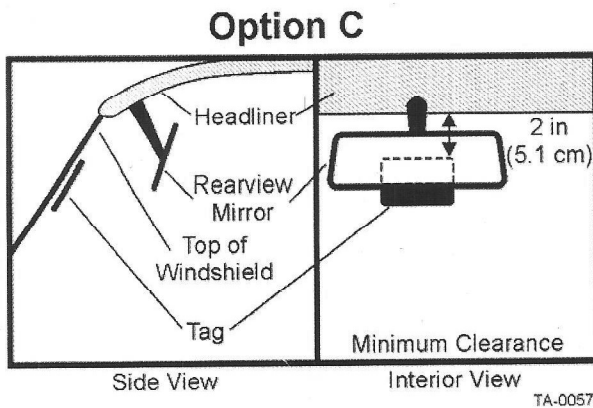
Mirror Post Attached High On Windshield

Choose placement **Option B** if the mirror post is attached high on the windshield or if the windshield is tinted with a conductive tint.



Mirror Post Attached to Headliner

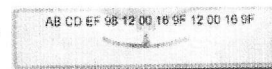
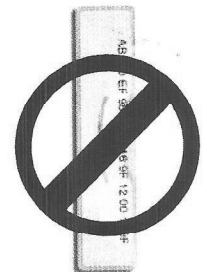
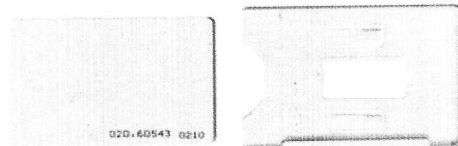
Choose placement **Option C** if the mirror post is attached to the headliner. If the upper portion of the windshield is tinted with an aftermarket conductive tint, place the tag 2 inches below the tinted area.



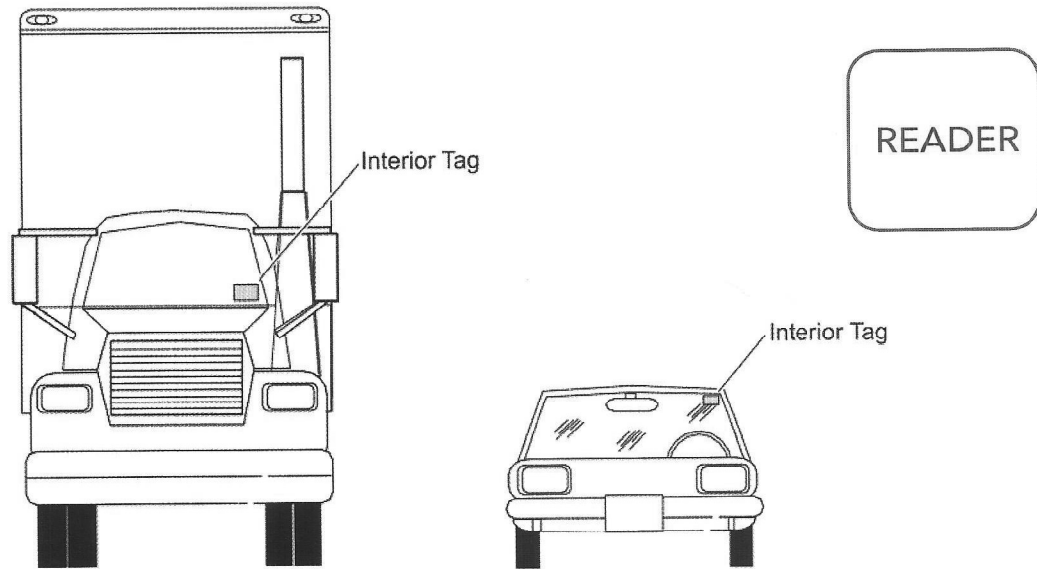
IMPORTANT!

When installing credentials be sure that they are installed horizontally as shown.

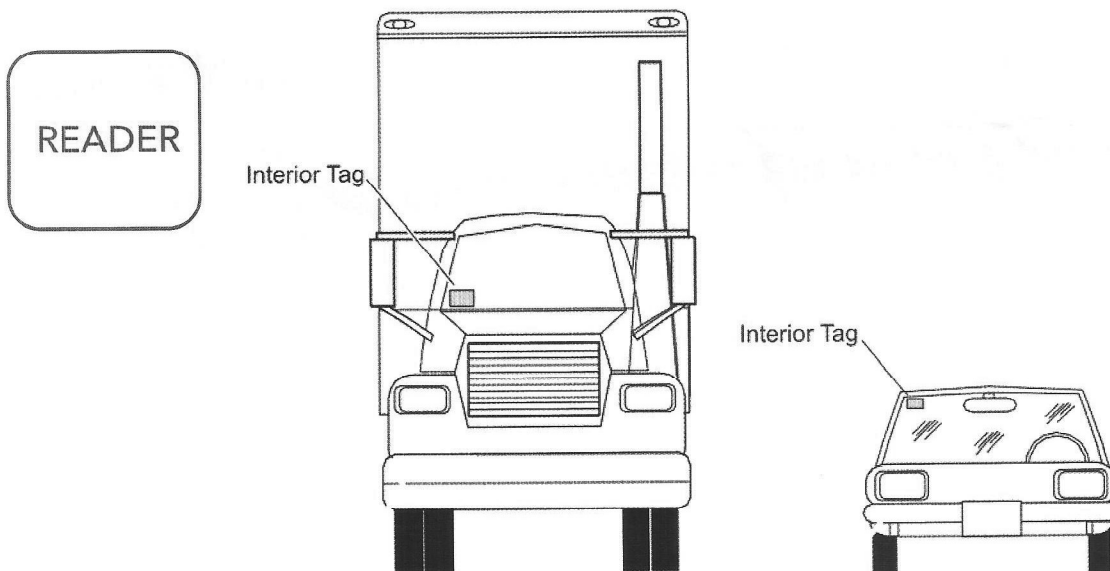
- ISO Prox Style Card
- Card Holder
- Adhesive Sticker



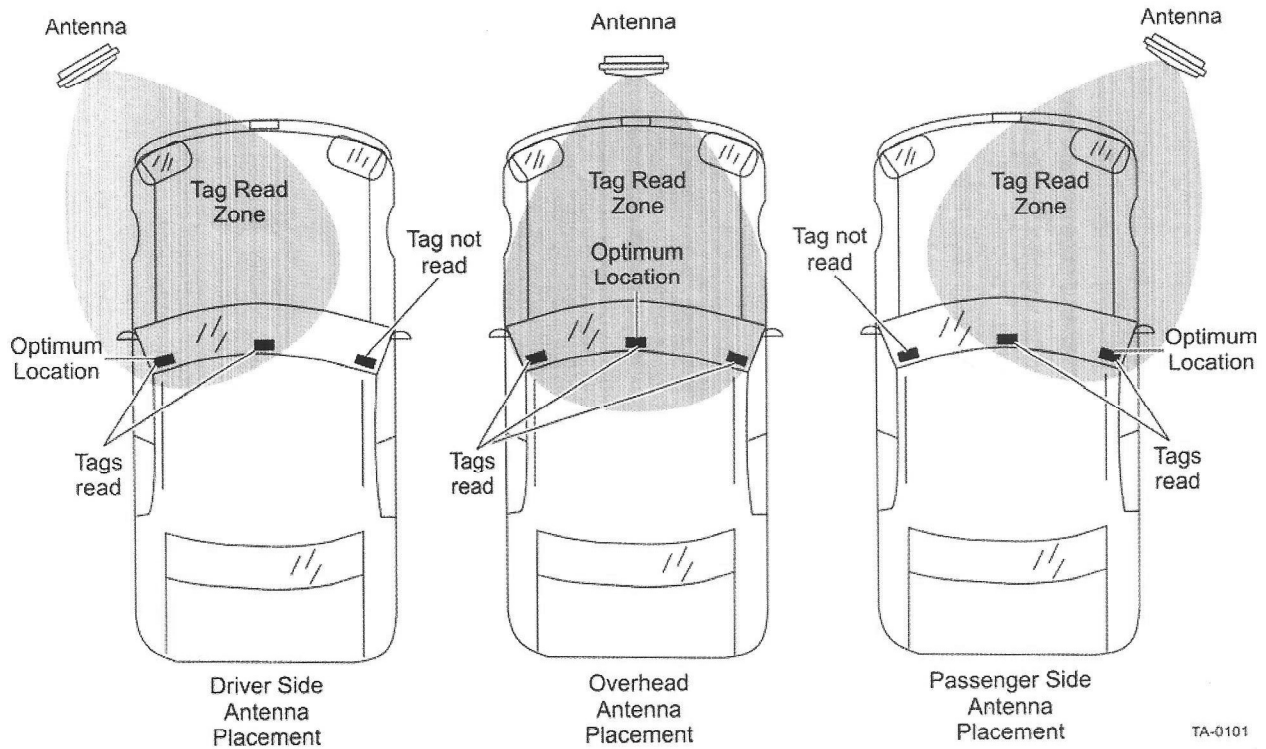
If the UHF reader antenna is installed to the **left** of the vehicle, optimal tag position is on the left side of the vehicle.



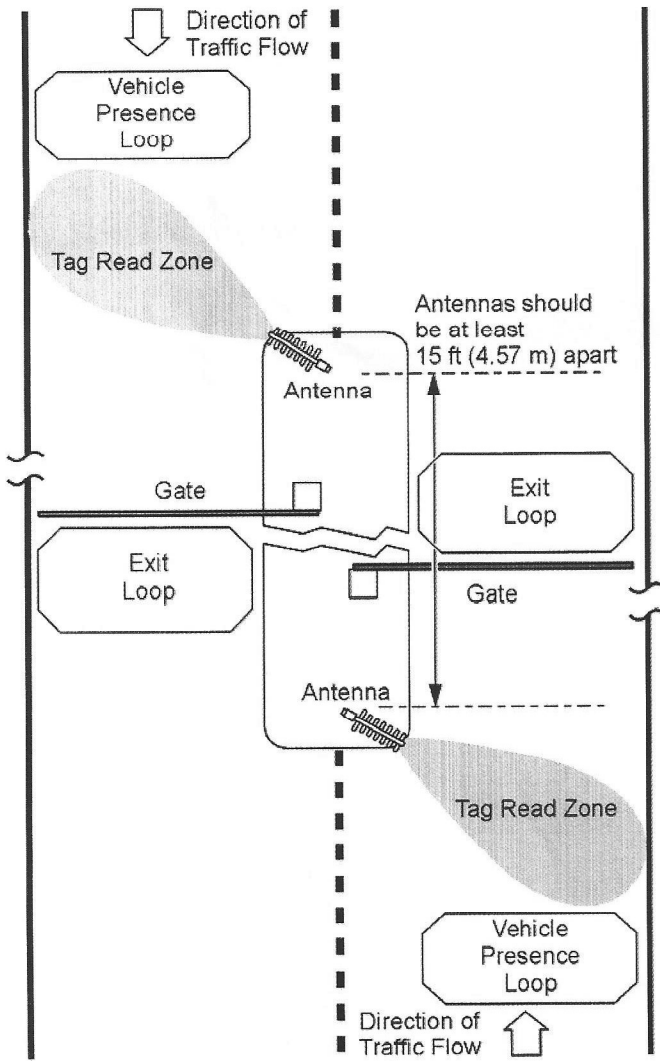
If the UHF reader antenna is installed to the right of the vehicle, optimal tag position is on the **right side** of the vehicle.



Antenna Location Relative to Tag Position



TA-0101



Ticket Island Configuration

This illustrates a parking garage application with each Reader and antenna mounted on the ticket island to read tags mounted on the inside center windshield or on the center front vehicle bumper. The Reader antenna placement may require the vehicle to stop before the gate opens.

Transmitter
SOLUTIONS®

(866) 975-0101
(866) 975-0404 fax
www.transmittersolutions.com

SPECIAL WINDSHIELD MOUNTING TIPS

The vehicles listed below may be equipped with special windshields containing metal oxide in the glass. This can prevent your transponder from being read.

UHF transponders will work in the following cars. However, in order to be read the transponder must be mounted in a specific location.

Make	Model	Year	Feature	Mounting Location
BMW	ALL 3 SERIES	1998-2008	INFRARED REFLECTING GLASS (*OPTIONAL)	TOP, LEFT OR RIGHT OF REAR-VIEW MIRROR
	X5	1999-2008	*VEHICLE WILL HAVE INFRARED REFLECTING GLASS IF EQUIPPED WITH AUTOMATIC WIPERS.	
	645	2004-2008		
	ALL 7 SERIES 740 745 750 760	1999-2008	INFRARED REFLECTING GLASS (STANDARD)	TOP CENTER (IN BLACK SHADING)
	ALL 7 SERIES 740 745 750 760	2009-2015		
BUICK	RENDEZVOUS	2002-2005	EZ VIEW	TOP OF WINDSHIELD, LEFT OF THE REAR-VIEW MIRROR POST
CADILLAC	CATERA	2001 ONLY	INFRARED REFLECTING GLASS	TOP, RIGHT OF REAR-VIEW MIRROR IN BLACK SHADING
CHEVROLET	VENTURE	1997-2002	EZ VIEW	TOP-LEFT CORNER
JAGUAR (must use "portable" transponder)	XF	2016	INFRARED REFLECTING GLASS (OPTIONAL)	TOP, LEFT OR RIGHT OF REAR-VIEW MIRROR (IN BLACK SHADING)
	F Pace (SUV)	2017		
	XE	2017		
LAND ROVER (must use "portable" if glass code is 43R-001693)	RANGE ROVER	2003-2008	INFRARED REFLECTING GLASS (OPTIONAL)	TOP, LEFT OR RIGHT OF REAR-VIEW MIRROR
	RANGE ROVER	2010-2013		TOP CENTER (IN BLACK SHADING)
	RANGE ROVER	2014-2015	INFRARED REFLECTING GLASS (OPTIONAL)	TOP, DRIVER SIDE OF MIRROR (IN BLACK SHADING)
	RANGE ROVER EVOQUE	Early 2012 Models	INFRARED REFLECTING GLASS	SUNROOF-FWD EDGE CENTERED

	RANGE ROVER EVOQUE	Late 2012 Models - Current	INFRARED REFLECTING GLASS	TOP, LEFT OF MIRROR IN CUT-OUT
MAYBACH	57 & 62	2002-2012	INFRARED REFLECTING GLASS	BOTTOM CENTER
	57-S	2007-2012		TOP CENTER (IN BLACK SHADING)
	62-S	2008-2012		TOP CENTER (IN BLACK SHADING)
MERCEDES-BENZ	CL CLASS	2001-2013	INFRARED REFLECTING GLASS	TOP CENTER (IN BLACK SHADING)
	E CLASS	2010-2013		(*SEE FOOT NOTE)
	GL CLASS	2007-2013		TOP CENTER (IN BLACK SHADING)
	ML CLASS	2006-2012		
	R CLASS	2006-2012		
	S CLASS	2001-2013		
S CLASS (with "Night View Assist")	2007-2015	(*SEE FOOT NOTE)	TOP CENTER (IN BLACK SHADING)	
SL CLASS (except SL500 & SL600)	2003-2008	TOP CENTER (IN BLACK SHADING)		
CL CLASS (with "Night View Assist")	2001-2014	(*SEE FOOT NOTE)		
OLDSMOBILE	SILHOUETTE	1997-2002	EZ VIEW	TOP-LEFT CORNER
PONTIAC	AZTEK	2001-2005	EZ VIEW	TOP OF WINDSHIELD, LEFT OF THE REAR-VIEW MIRROR POST
	MONTANA	1999-2002	EZ VIEW	TOP-LEFT CORNER
	TRANSPORT	1997-1998		
PORSCHE	CAYENNE	2003-2007	SOLAR CONTROL GLASS(OPTIONAL)	TOP, LEFT OR RIGHT OF REAR-VIEW MIRROR
	MACAN	2015-2015	THERMAL INSULATED GLASS (OPTIONAL)	

	PHANTOM	2004-	INFRARED REFLECTING GLASS	TOP, LEFT OR RIGHT OF REAR-VIEW
ROLLS-ROYCE		2007		MIRROR
	WRAITH	2014-2015	INFRARED REFLECTING GLASS	TOP CENTER (IN BLACK SHADING)

*Contact [Customer Service Center](#) for proper mounting location on 2007-2012 Mercedes-Benz S-Class equipped with "Night View Assist".

Please note the following car *windshield features* . If your car has one of these windshields, you will need a front exterior license plate transponder.*

Make	Model	Year	Windshield Feature
ASTON MARTIN	VANQUISH	2001-2007	HEATED
	VANTAGE	2003-2008	
AUDI	A6	1998-2003	SIGLASOL
	A8	1998-2003	
BUICK	ROADMASTER SEDAN	1993-1996	PPG SUNGATE
	LESABRE	1992 ONLY	HEATED
	PARK AVENUE	1991-1992	
CADILLAC	CONCOURS	1993-1998	HEATED
	DEVILLE	1989-1999	
	ELDORADO	1992-2002	
	FLEETWOOD	1989-1992	
		1993-1996	PPG SUNGATE
	SEVILLE	1992-1999	HEATED
	SIXTY SPECIAL	1993 ONLY	
	TOURING SEDAN	1992-1998	
CHEVROLET	CAPRICE	1993-1996	PPG SUNGATE
	CORVETTE ZR-1	1990-1995	HEATED
	IMPALA	1993-1996	PPG SUNGATE
FORD	CROWN VICTORIA	1988-1992	INSTA-CLEAR
	TAURUS	1986-1991	
JAGUAR	S-TYPE	2000-2004	HEATED
	VDP	1999-2004	
	XJ SERIES	1999-2004	
	XK SERIES	1999-2004	
	XF	2010-Current	

LINCOLN	CONTINENTAL	1988-1992	INSTA-CLEAR
	TOWN CAR	1990-1992	
MAZDA	626	1995 ONLY	SOLAR CONTROL
	929	1988-1995	
MERCURY	GRAND MARQUIS	1988-1992	INSTA-CLEAR
	SABLE	1986-1991	
OLDSMOBILE	CUSTOM CRUISER- STATION WAGON	1990-1996	PPG SUNGATE
	EIGHTY-EIGHT	1992 ONLY	HEATED
	NINETY-EIGHT	1991-1995	
PONTIAC	BONNEVILLE	1992 ONLY	HEATED
VOLVO	S80	2002-2004	INFRARED REFLECTING
	XC90	2002-2004	
	XC90	2010-2015	

The following car models have windshields that prevent the use of a transponder. If you own one of these cars, you will need a front exterior license plate transponder.

Make	Model	Year
BENTLEY	CONTINENTAL	2004-2009
	GT	
	CONTINENTAL FLYING SPUR	2006-2009
BUICK	ROADMASTER WAGON	ALL
CAR HAULER WITH OVERHEAD RACK		ALL
CHEVROLET	LUMINA APV (VAN)	ALL (1990-1996)
OLDSMOBILE	SILHOUETTE	1990-1996
PONTIAC	TRANSPORT	1990-1996
PORSCHE	PANAMERA	ALL (2010-CURRENT)
TESLA	S	ALL (2012-CURRENT)