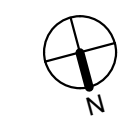
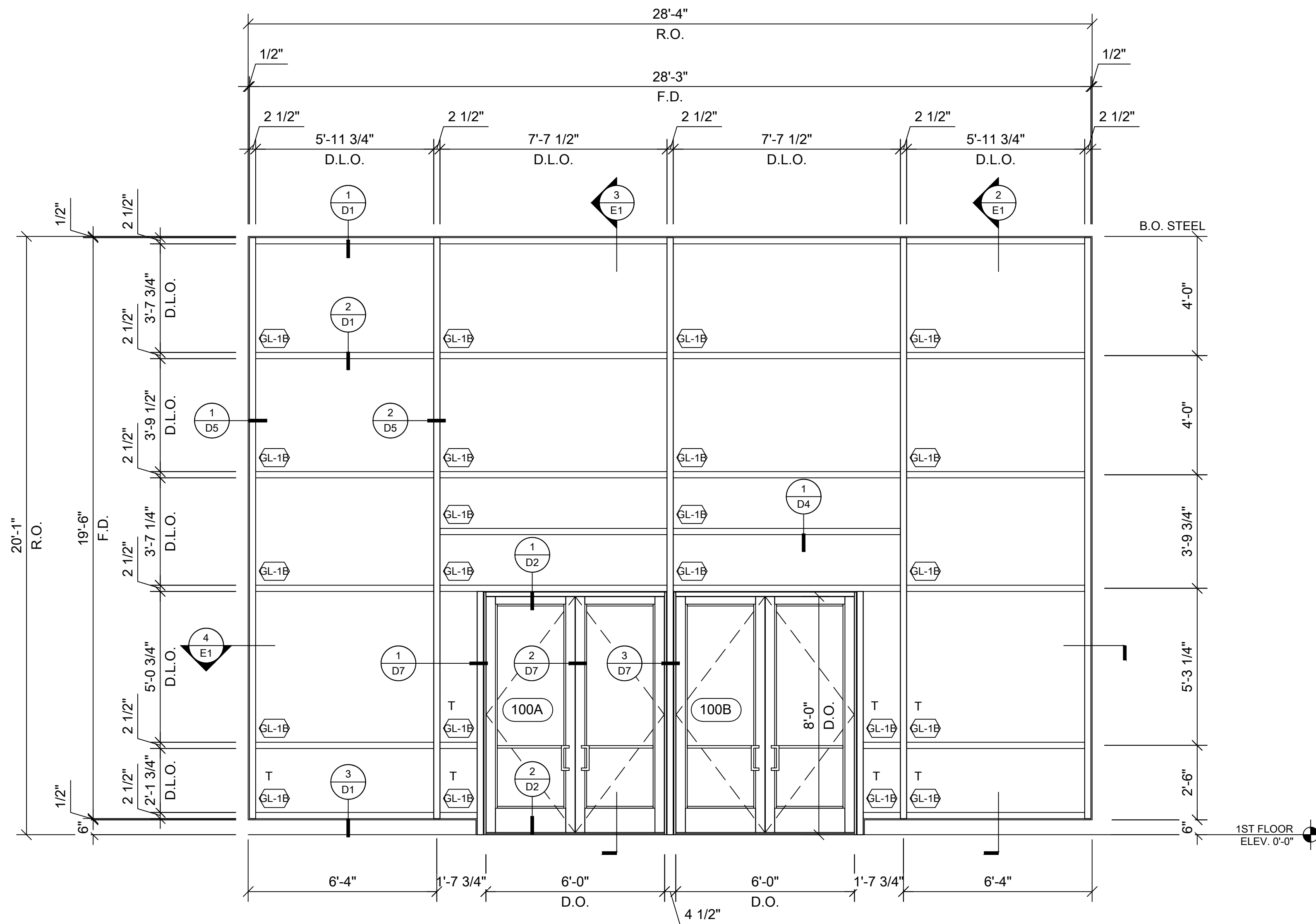


1 FIRST FLOOR PLAN
 ARCH. REF.: F1/A3.0 3/32" = 1'-0"





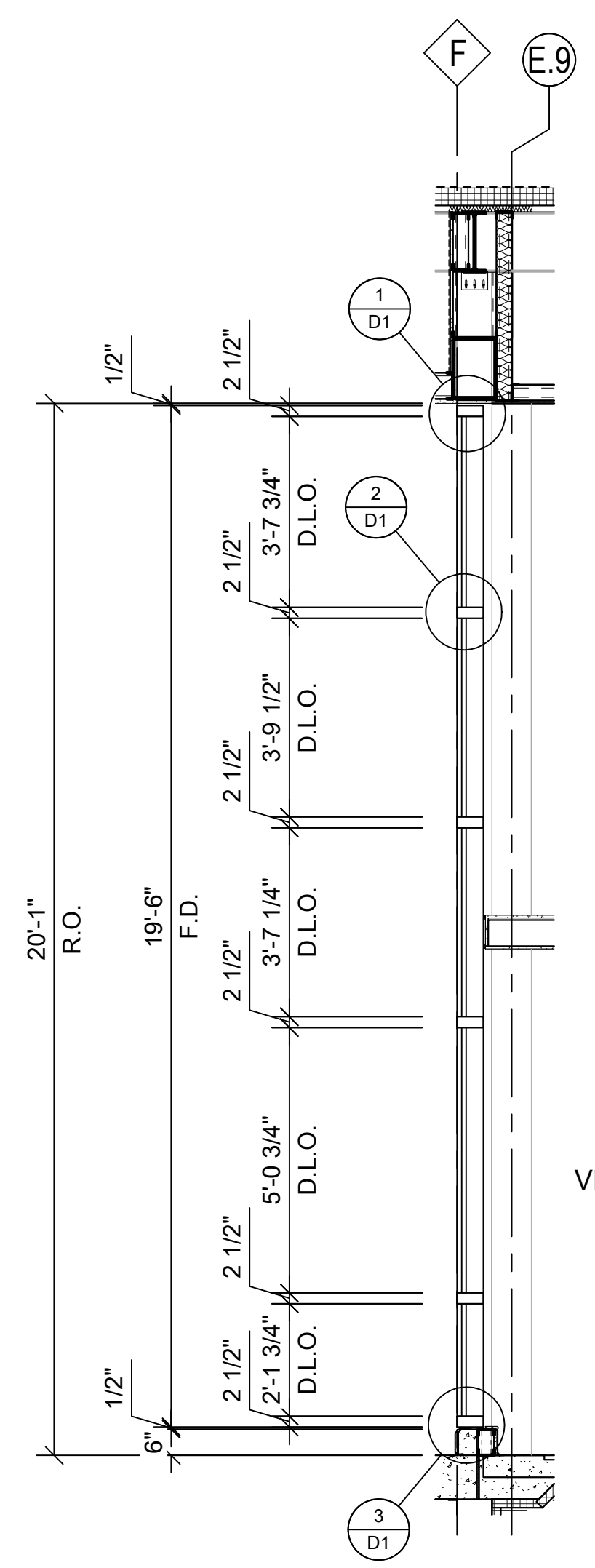
1 W1 - EXTERIOR ELEVATION @ ENTRY
 3/8" = 1'-0" ARCH. REF.: B1/A8.0

RELIANCE 2.5" X 6" CURTAIN WALL SYSTEM
 FINISH : CLASS I CLEAR ANODIZED

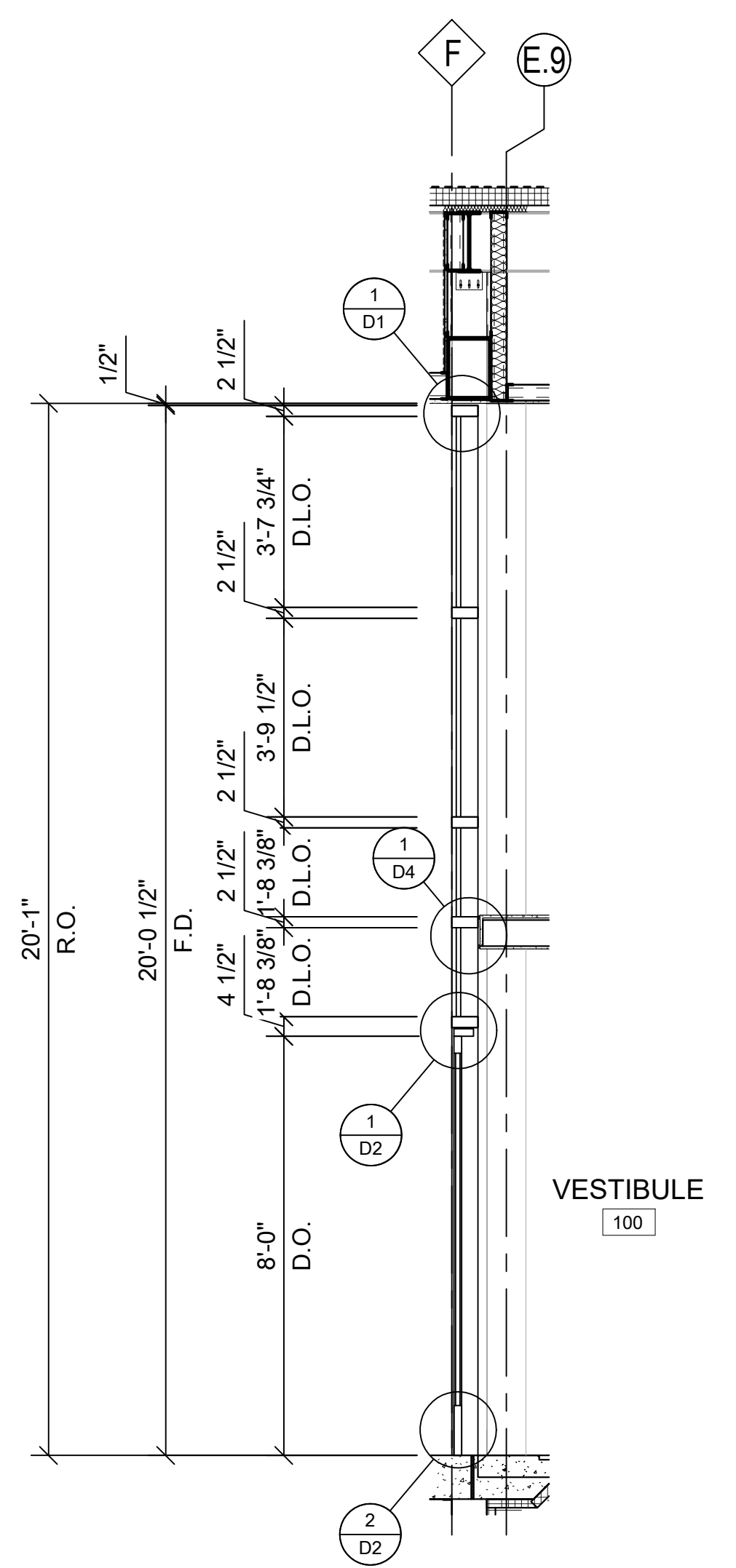
TAG	ELEVATION	LEVEL	LOCATION	QTY.
W-1	NORTH	1ST. FL.	VESTIBULE 100	1
TOTAL				1

PAIR DOOR 100A
 W x H = 6'-0"x8'-0"
 HD. SET 05.61.335

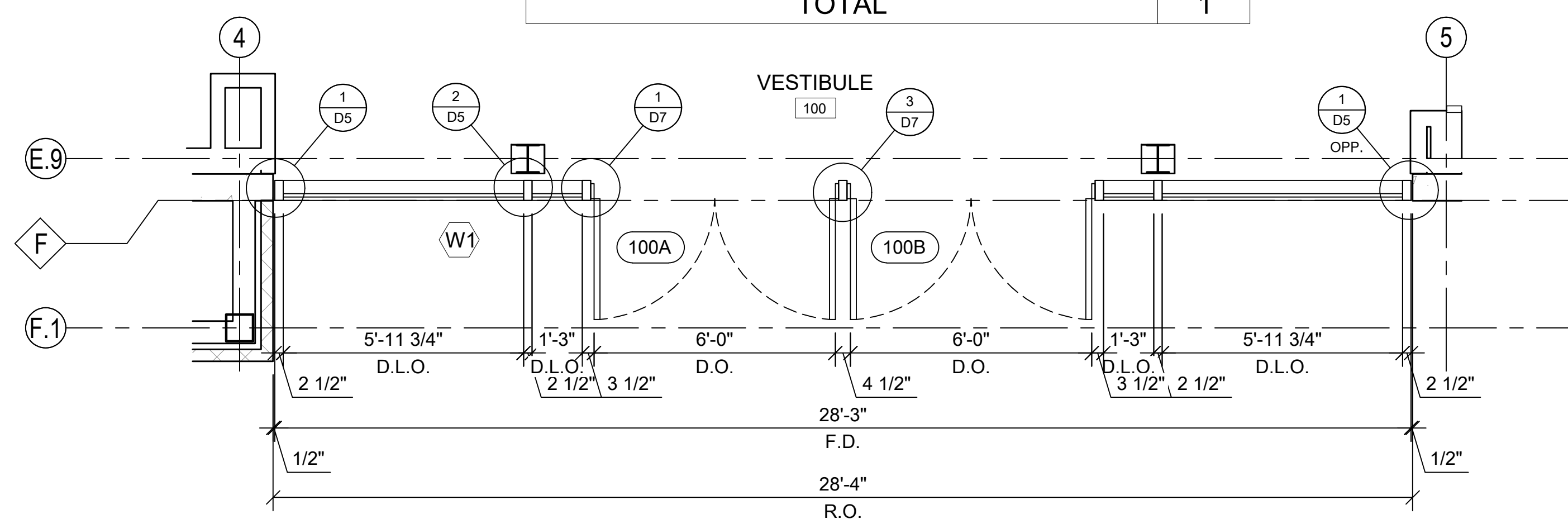
PAIR DOOR 100B
 W x H = 6'-0"x8'-0"
 HD. SET 05.61.335



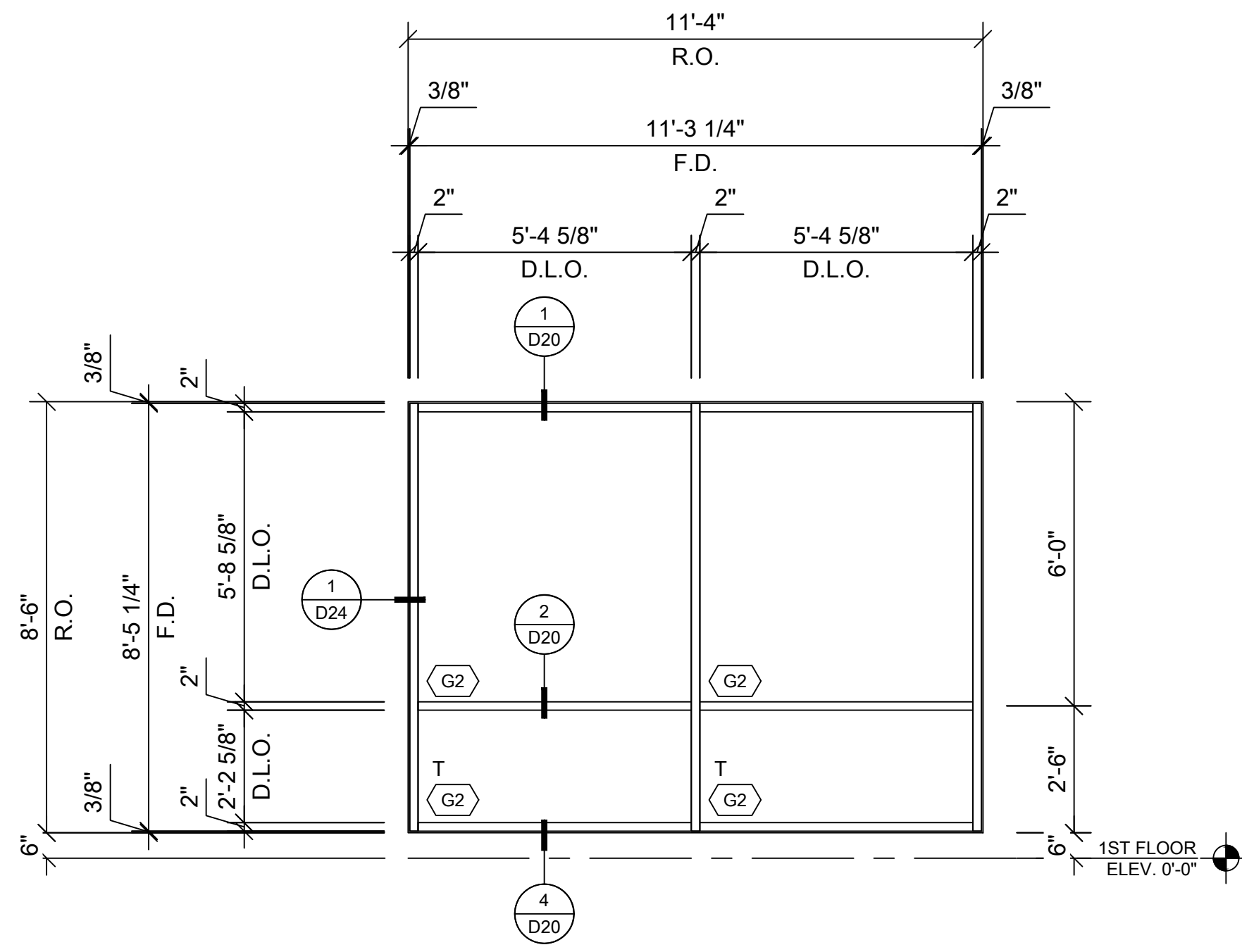
2 W1 SECTION
 3/8" = 1'-0" ARCH. REF.: F1/A5.0



3 W1 SECTION
 3/8" = 1'-0" ARCH. REF.: F1/A5.0

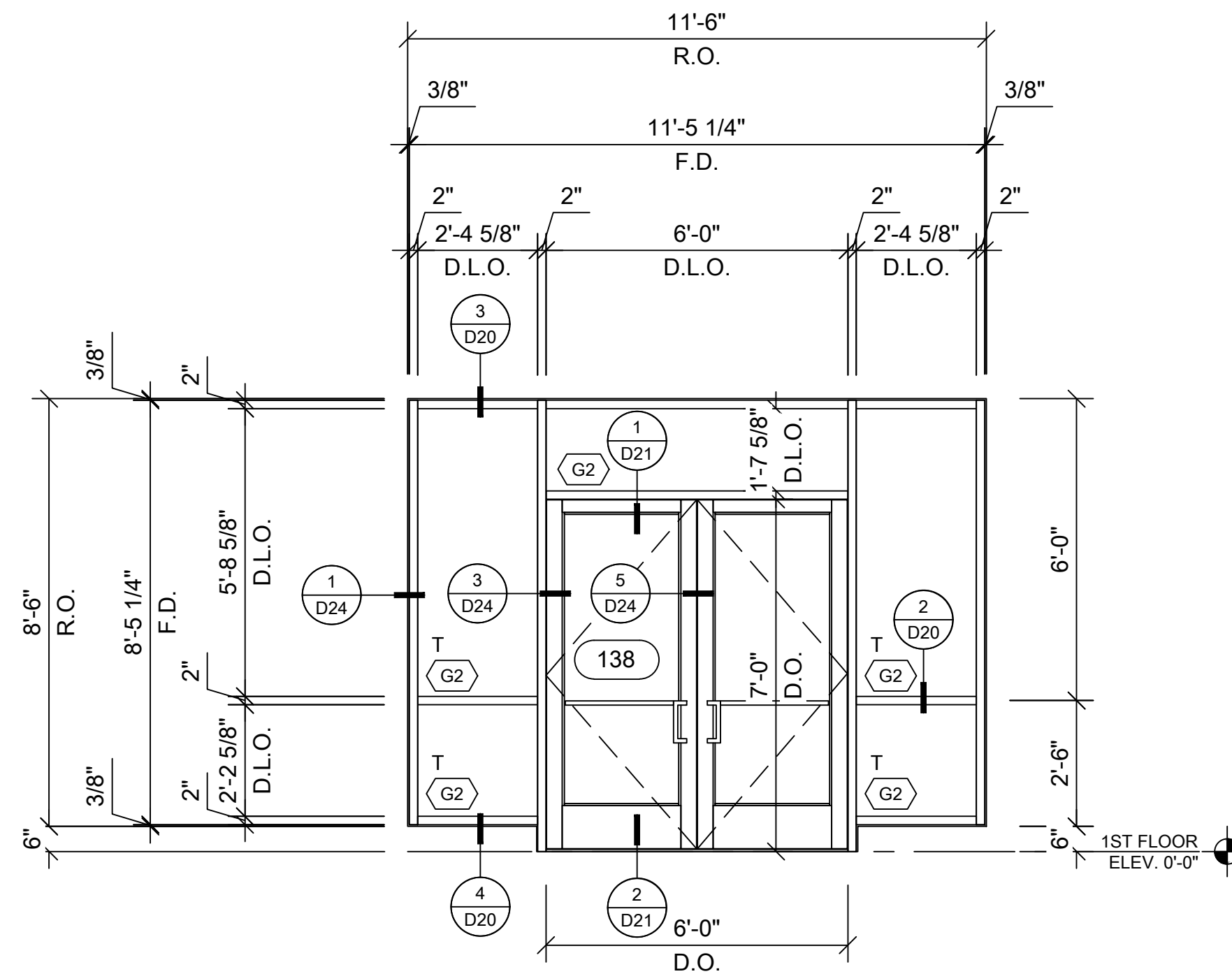


4 W1 - EXTERIOR PLAN @ ENTRY
 3/8" = 1'-0" ARCH. REF.: F1/A3.0



1 W12 - CYCLING ROOM ELEVATION
 3/8" = 1'-0" ARCH. REF.: D8/A8.0

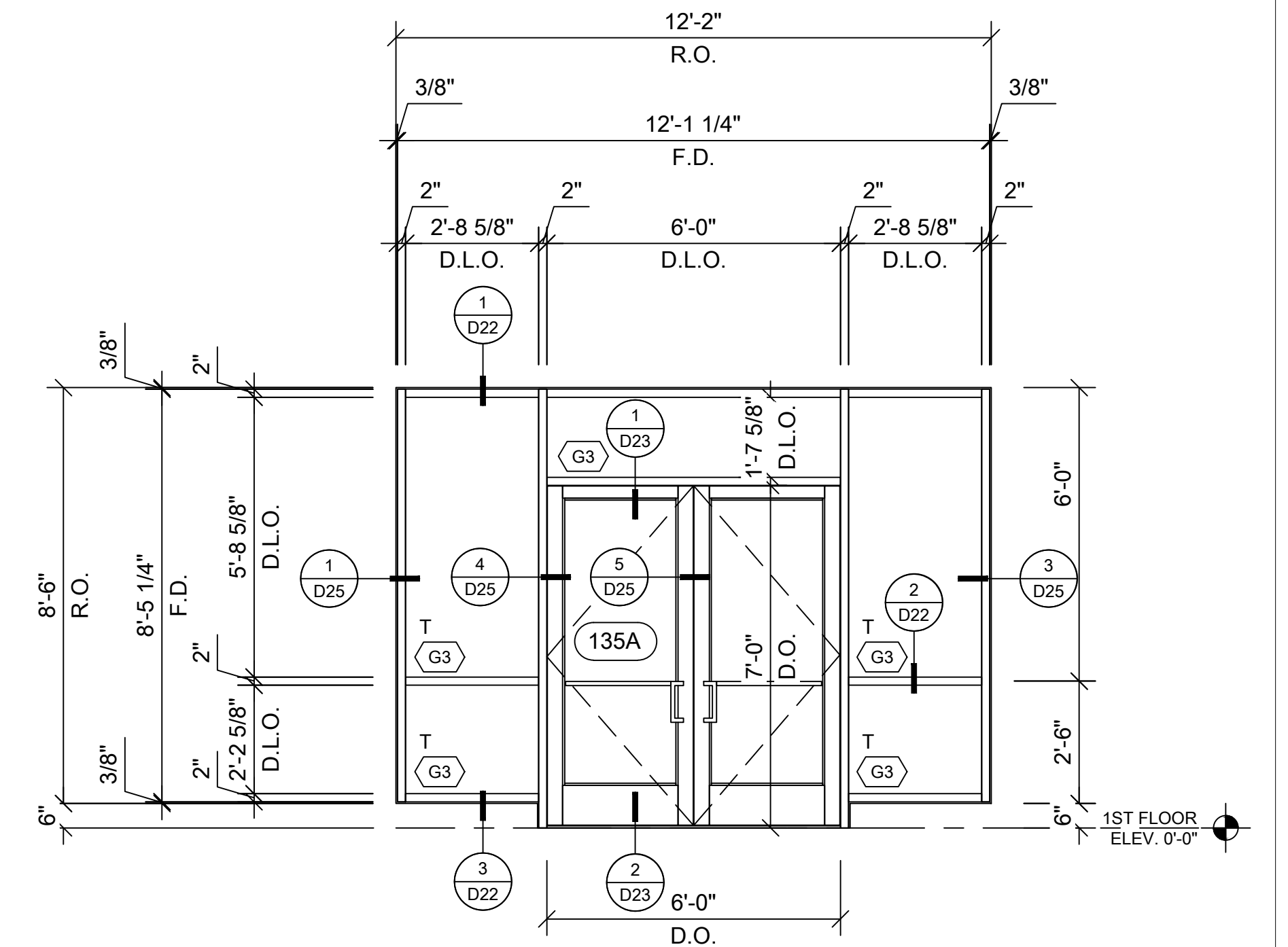
FG3000 2" X 4.5" STOREFRONT SYSTEM FINISH : CLASS I CLEAR ANODIZED				
TAG	ELEVATION	LEVEL	LOCATION	QTY.
W-12	EAST	1ST. FL.	CYCLING 138	2
TOTAL				2



2 W13 - CYCLING ROOM ELEVATION
 3/8" = 1'-0" ARCH. REF.: D9/A8.0

PAIR DOOR 138
 W x H = 6'-0"x7'-0"
 HD. SET 31.95.130

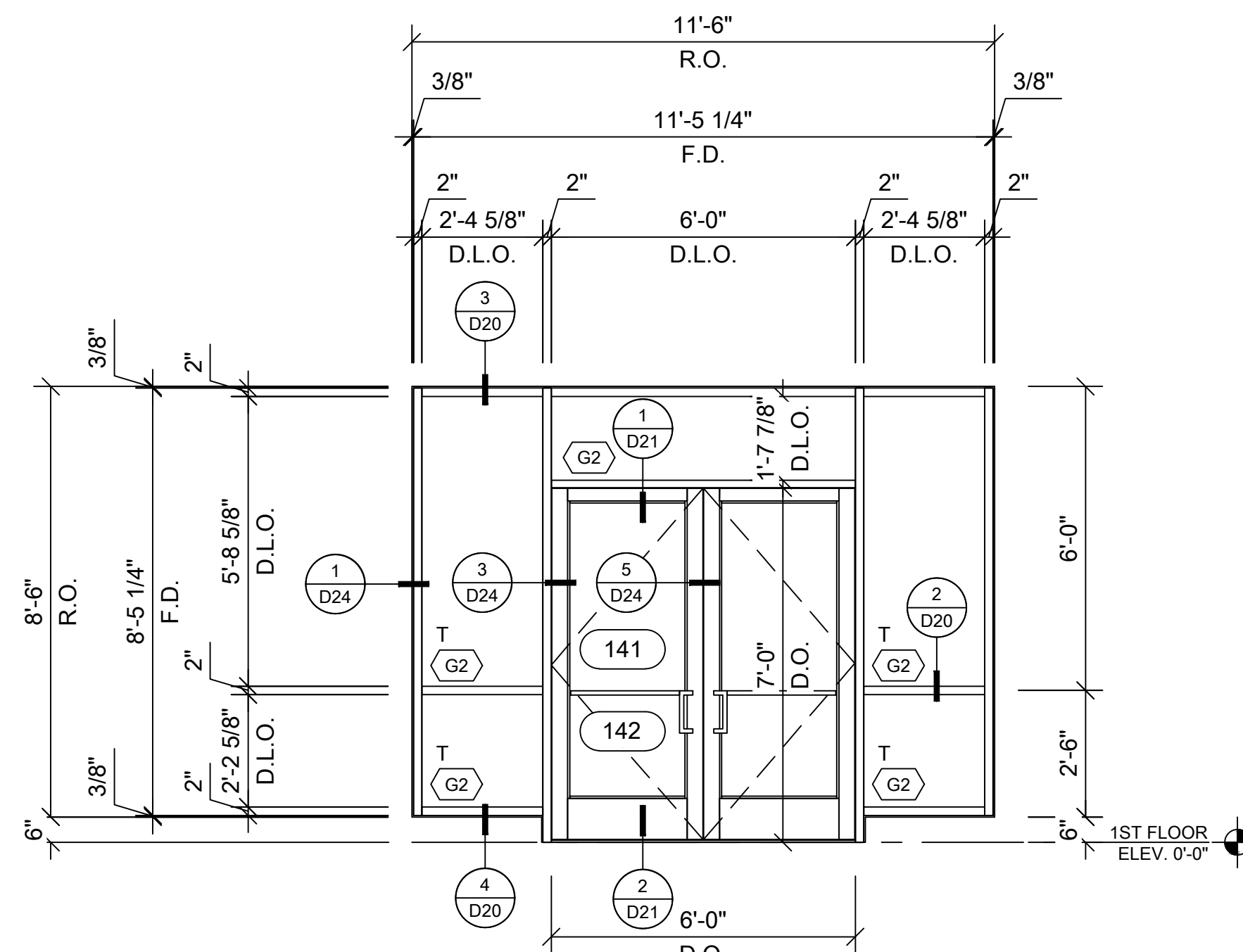
FG3000 2" X 4.5" STOREFRONT SYSTEM FINISH : CLASS I CLEAR ANODIZED				
TAG	ELEVATION	LEVEL	LOCATION	QTY.
W-13	SOUTH	1ST. FL.	CYCLING 138	1
TOTAL				1



3 W14 - BASKET BALL ELEVATION
 3/8" = 1'-0" ARCH. REF.: D11/A8.0

PAIR DOOR 135A
 W x H = 6'-0"x7'-0"
 HD. SET 31.95.130

FG3000 2" X 4.5" STOREFRONT SYSTEM FINISH : CLASS I CLEAR ANODIZED				
TAG	ELEVATION	LEVEL	LOCATION	QTY.
W-14	NORTH	1ST. FL.	BASKETBALL 135	1
TOTAL				1

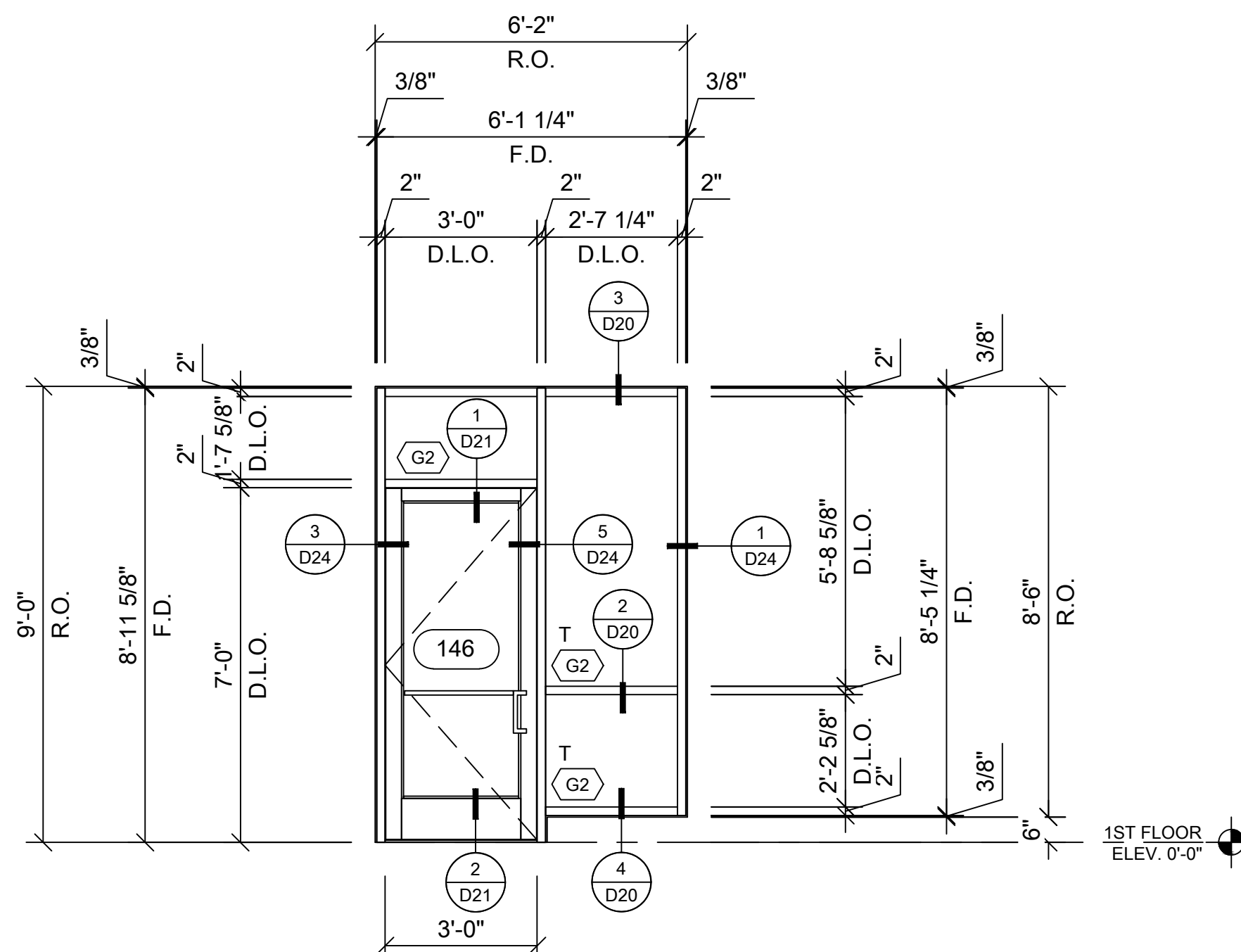


4 W15 - GRP. EXERCISE/PILATES ELEVATION
 3/8" = 1'-0" ARCH. REF.: E1/A8.0

FG3000 2" X 4.5" STOREFRONT SYSTEM FINISH : CLASS I CLEAR ANODIZED				
TAG	ELEVATION	LEVEL	LOCATION	QTY.
W-15	NORTH	1ST. FL.	PILATES 141	1
W-15	NORTH	1ST. FL.	GRP. EXERCISE 142	1
TOTAL				2

PAIR DOOR 141
 W x H = 6'-0"x7'-0"
 HD. SET 30.02.130

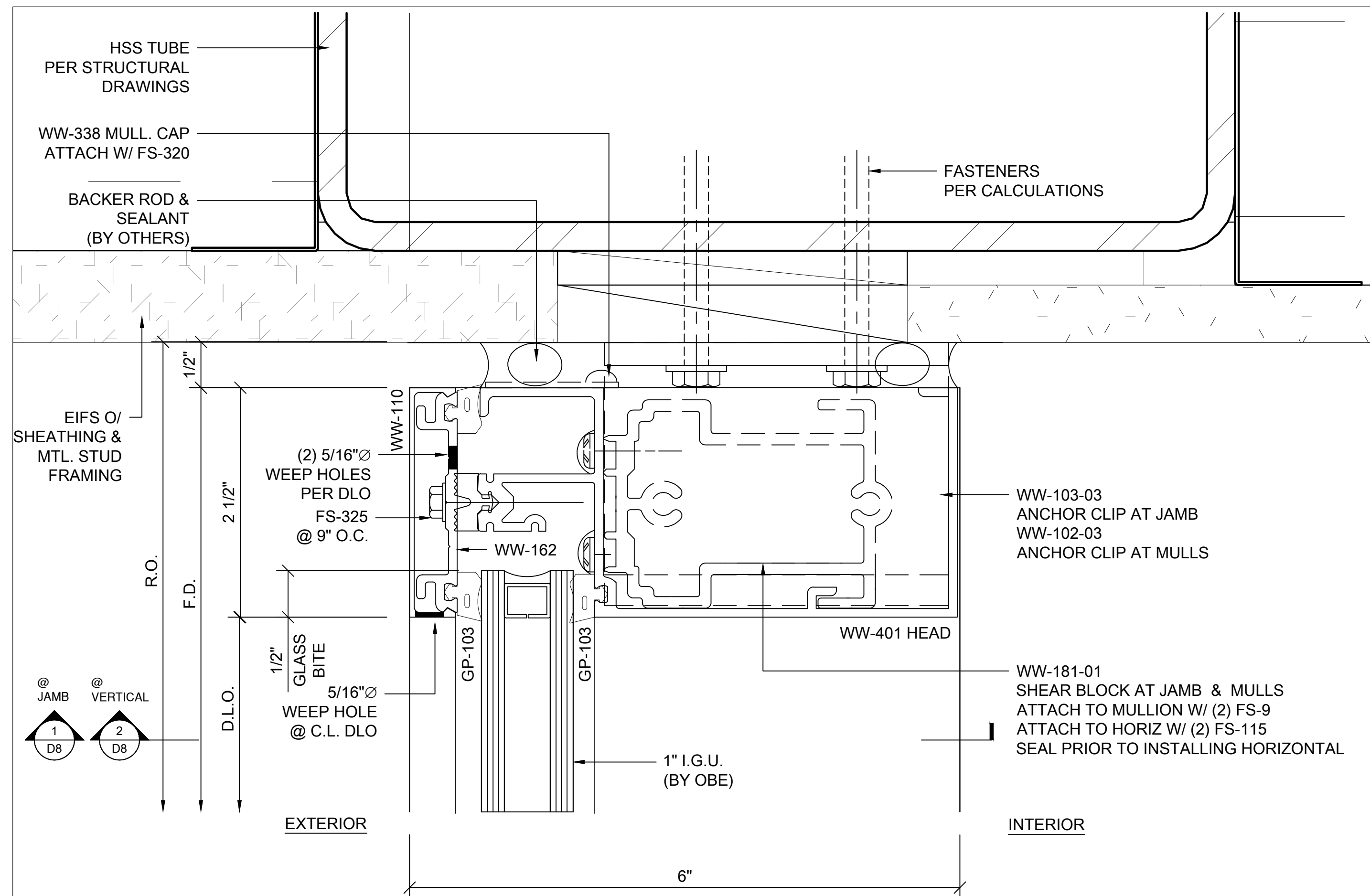
PAIR DOOR 142
 W x H = 6'-0"x7'-0"
 HD. SET 31.95.130



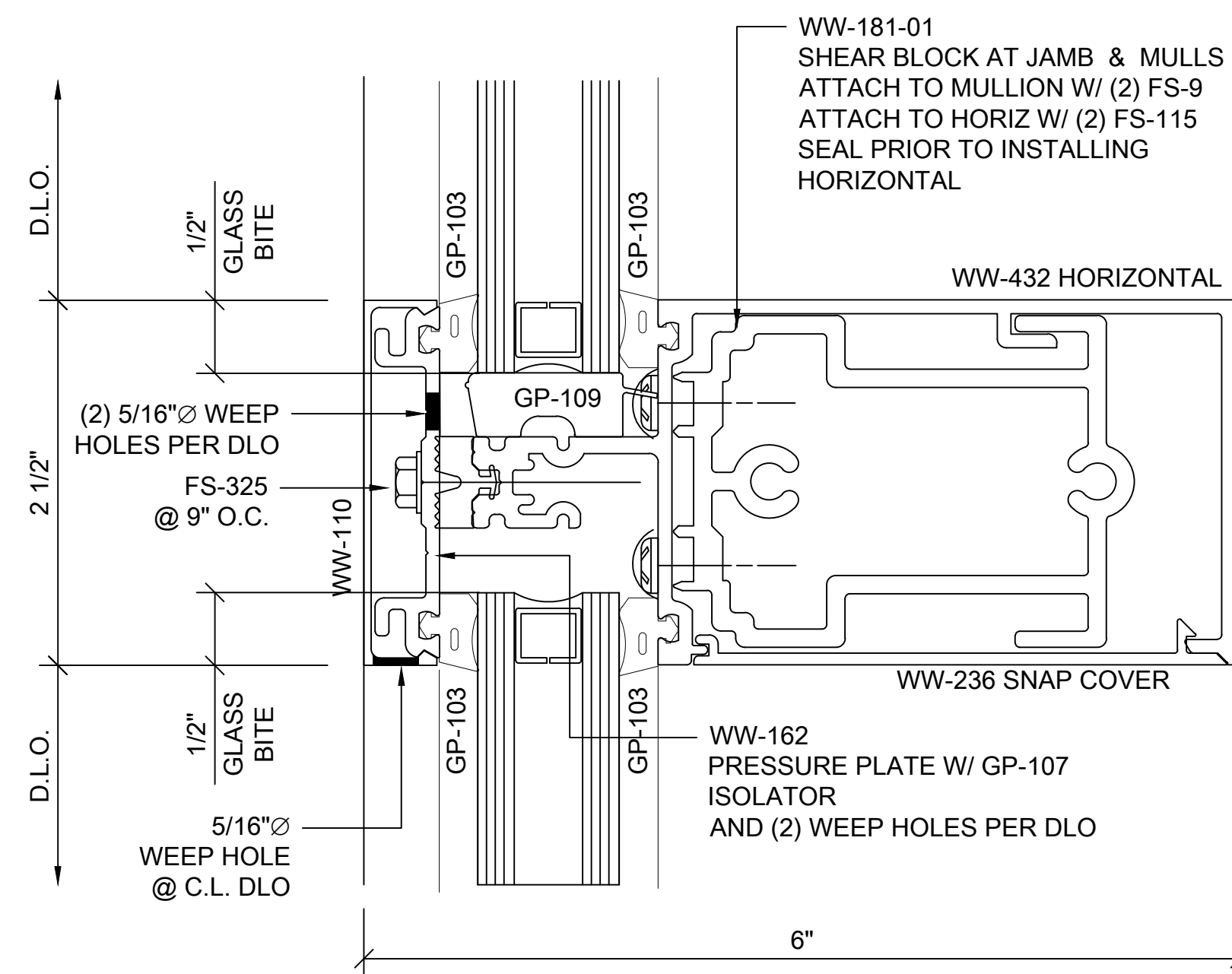
5 W16 - KID'S KLUB ROOM ELEVATION
 3/8" = 1'-0" ARCH. REF.: E3/A8.0

FG3000 2" X 4.5" STOREFRONT SYSTEM FINISH : CLASS I CLEAR ANODIZED				
TAG	ELEVATION	LEVEL	LOCATION	QTY.
W-16	WEST	1ST. FL.	KIDS KLUB 147	1
TOTAL				1

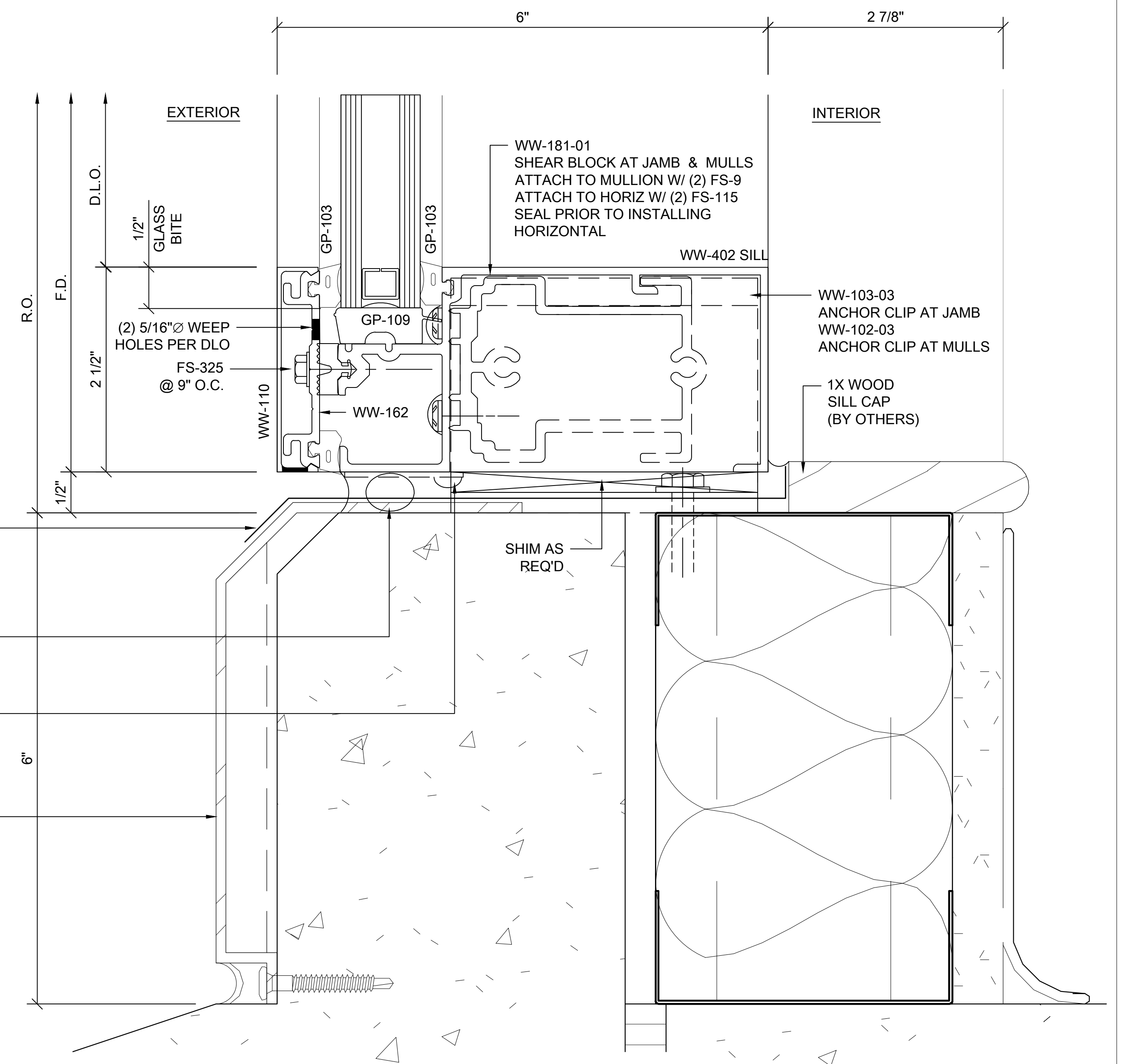
SINGLE DOOR 146
 W x H = 3'-0"x7'-0"
 HD. SET 31.97.630



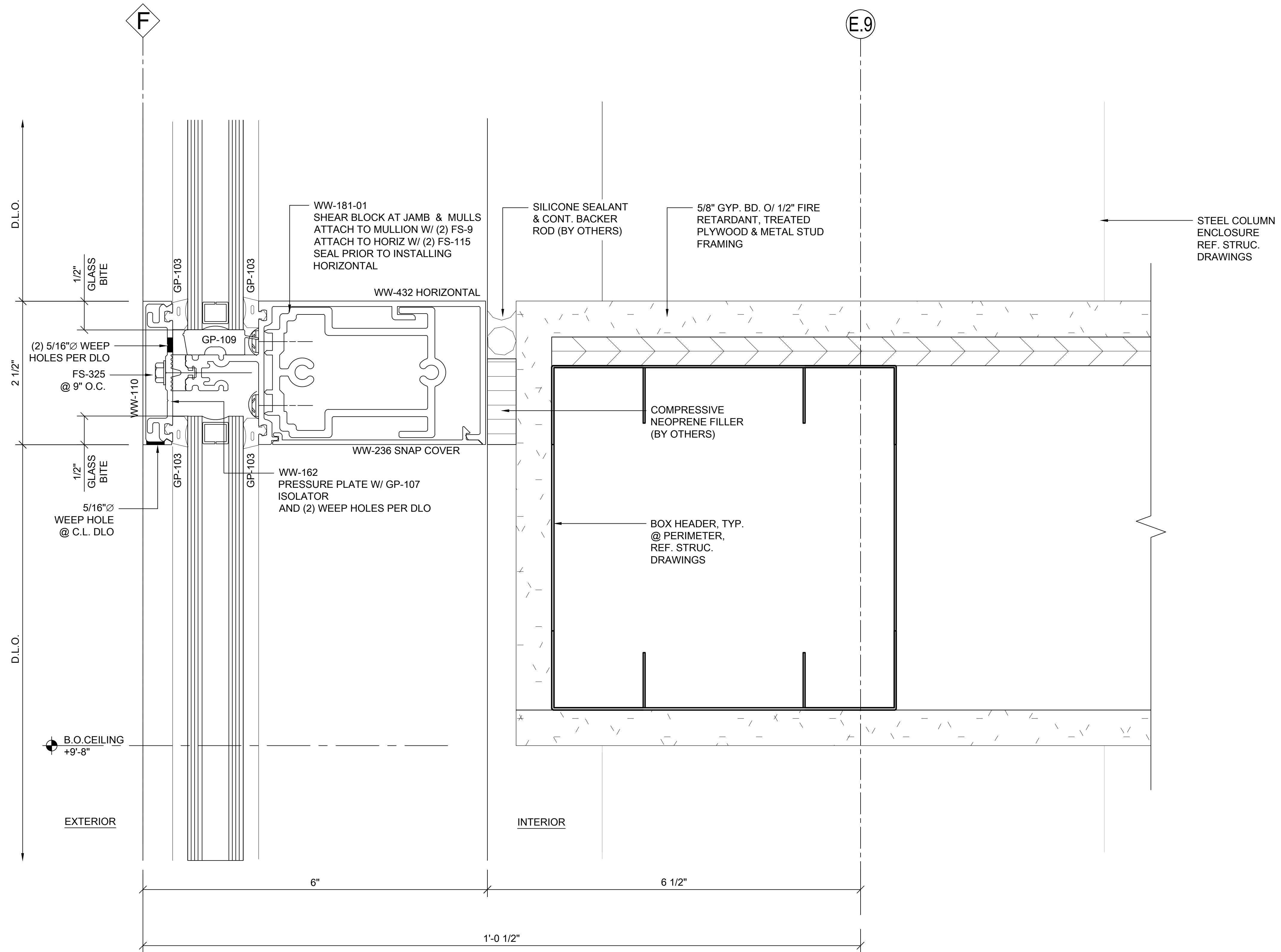
1 CURTAIN WALL HEAD DETAIL
 ARCH REF: F4/A6.3 1'-0" = 1'-0"



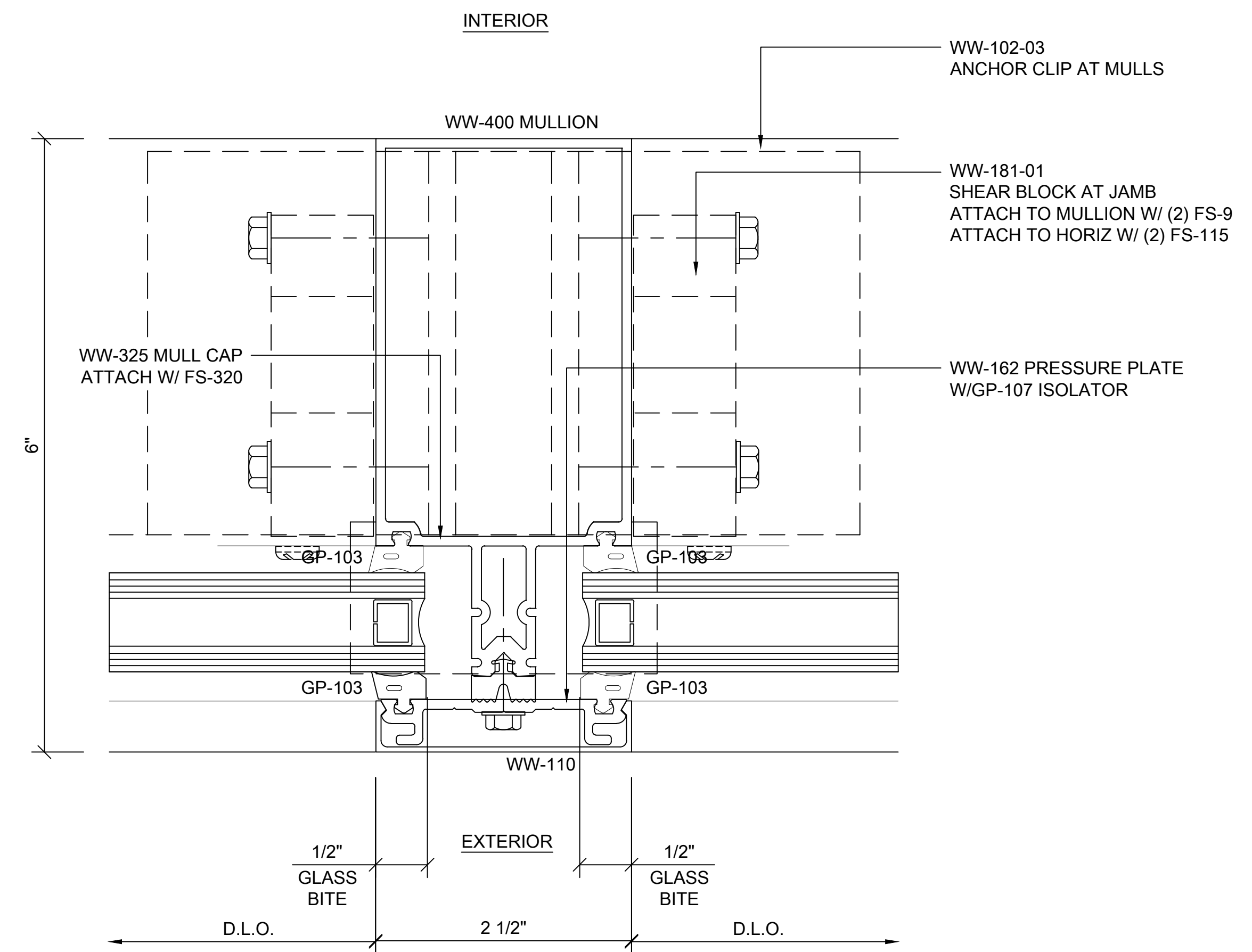
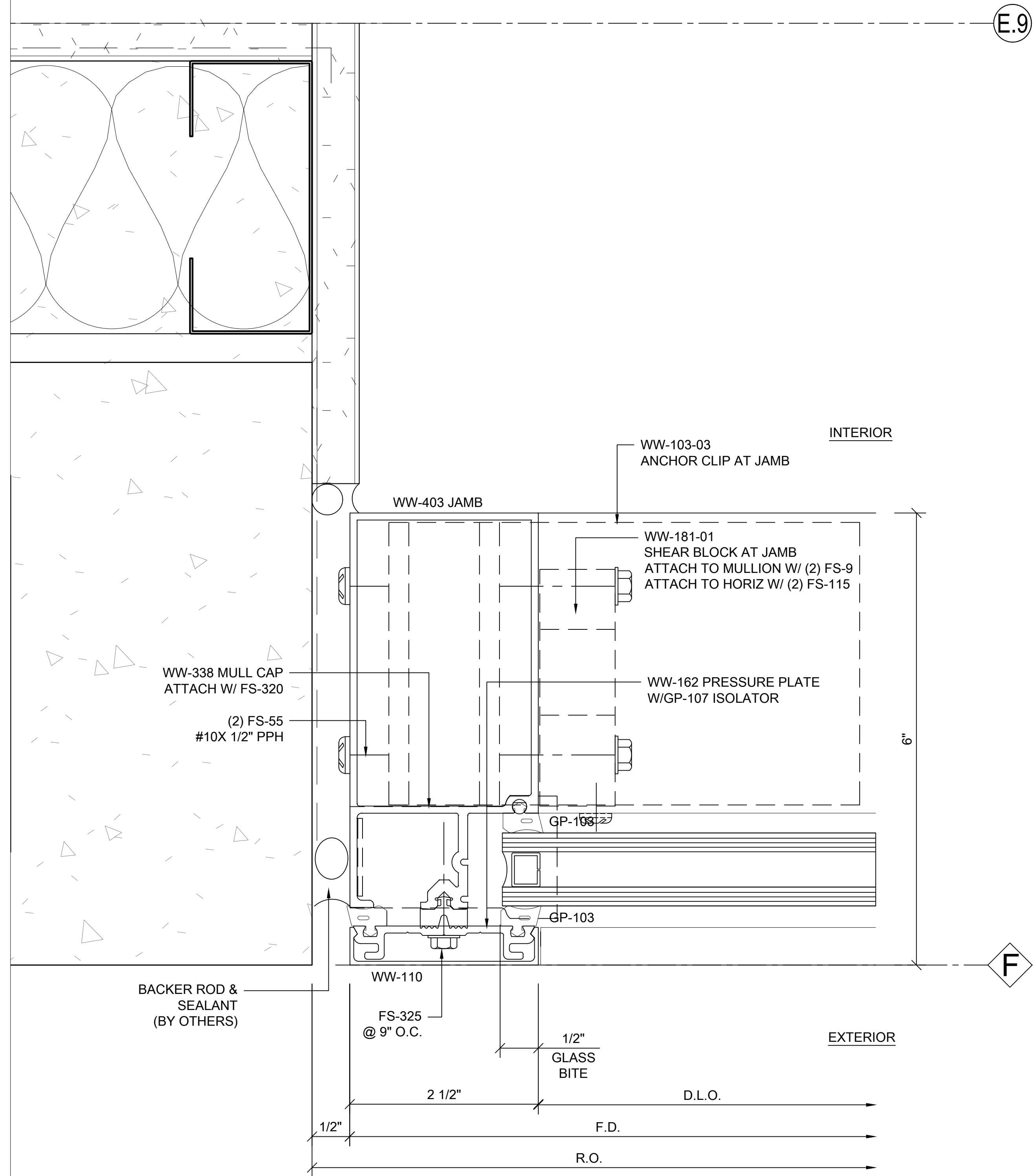
2 CURTAIN WALL HORIZONTAL DETAIL
 ARCH REF: N/A 1'-0" = 1'-0"

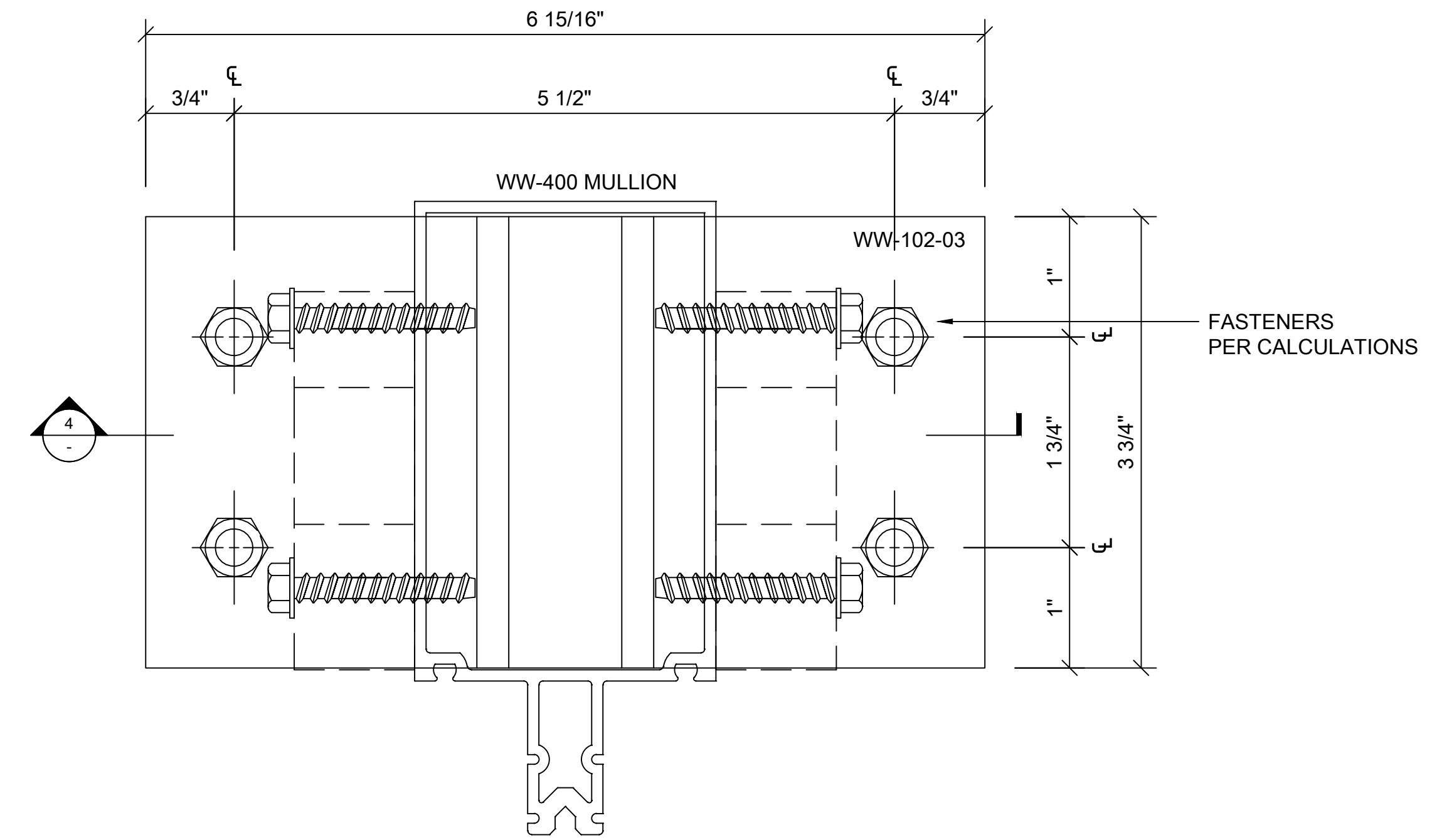
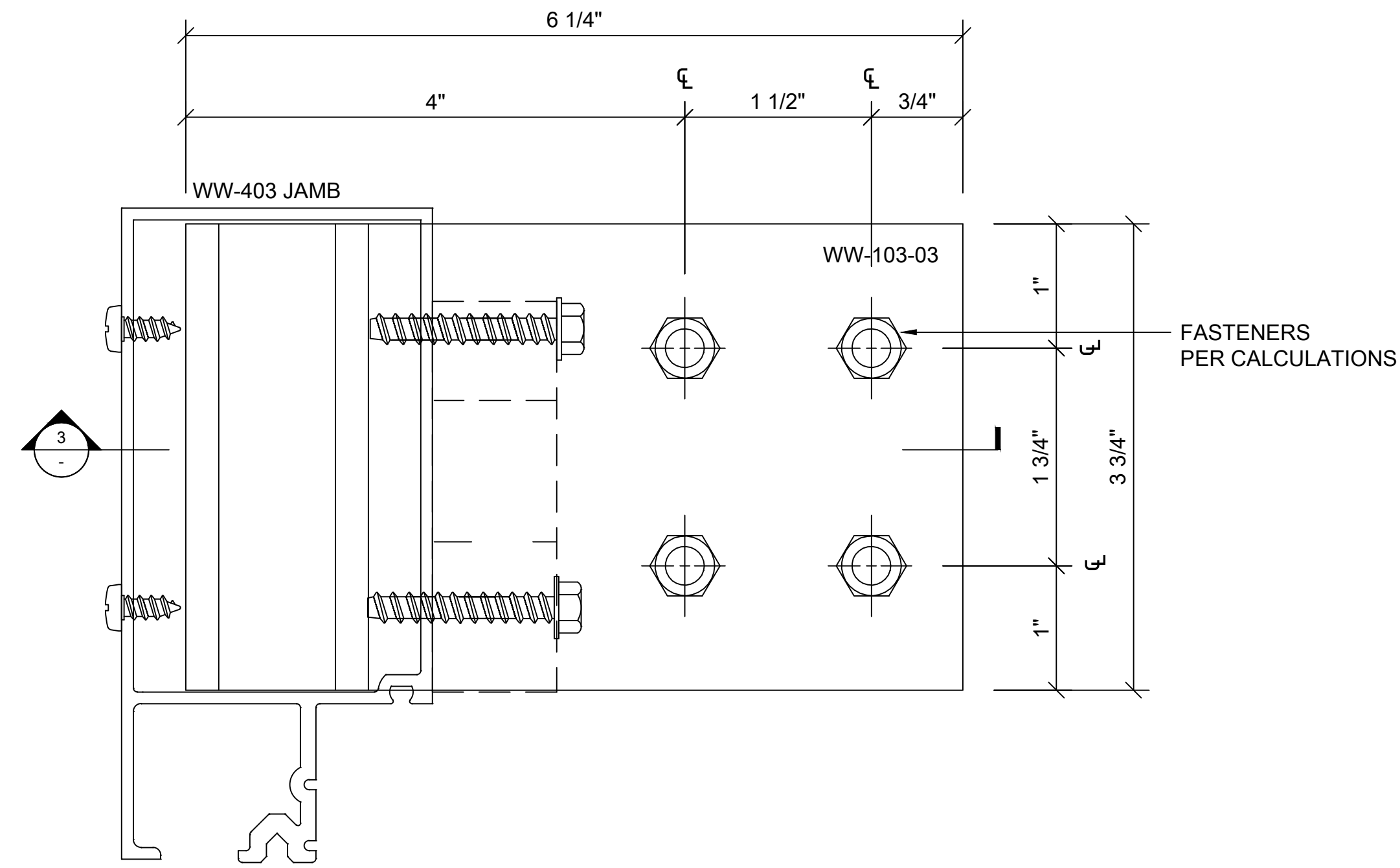


3 CURTAIN WALL SILL DETAIL
 ARCH REF: F9/A6.1 1'-0" = 1'-0"



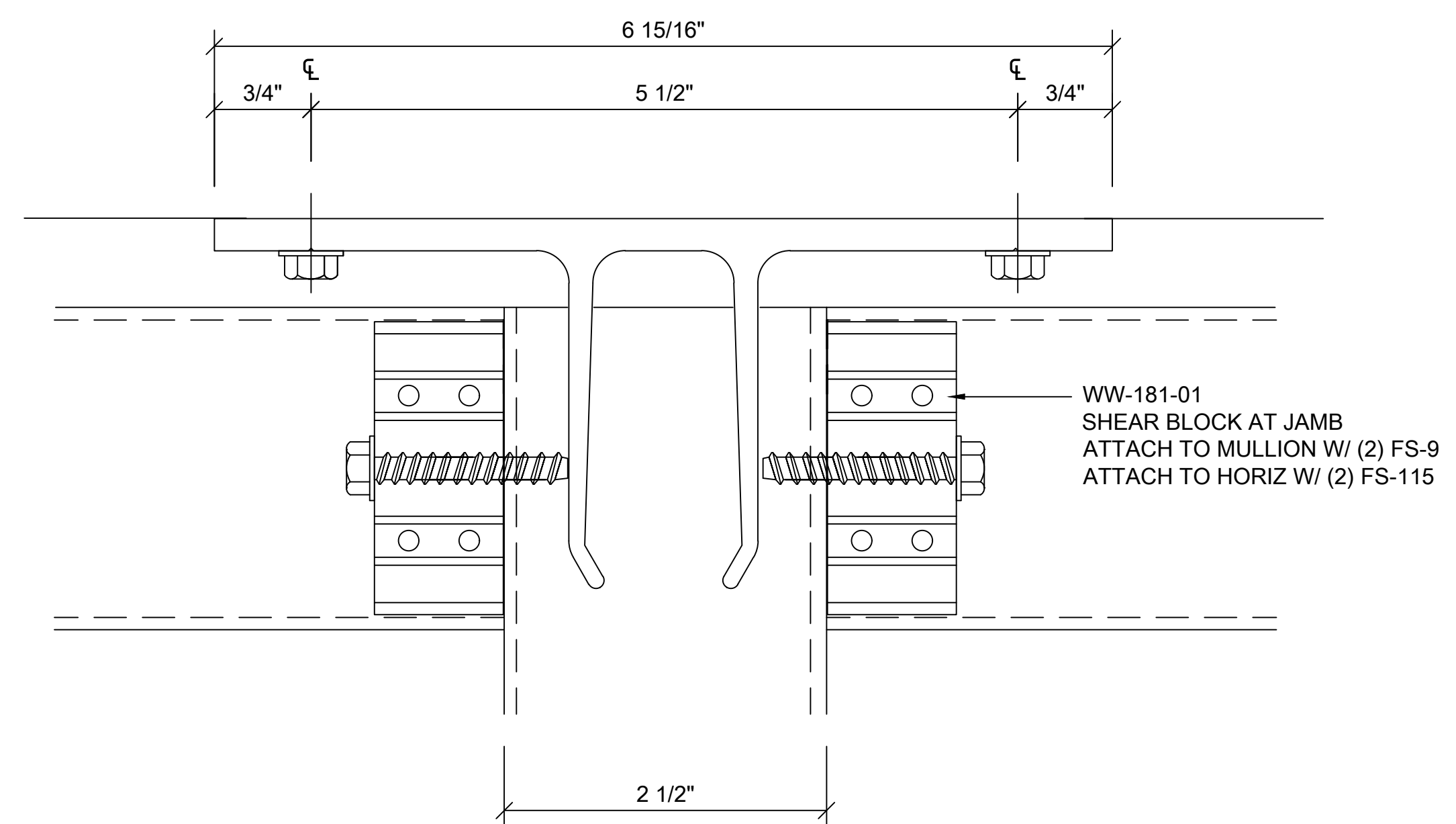
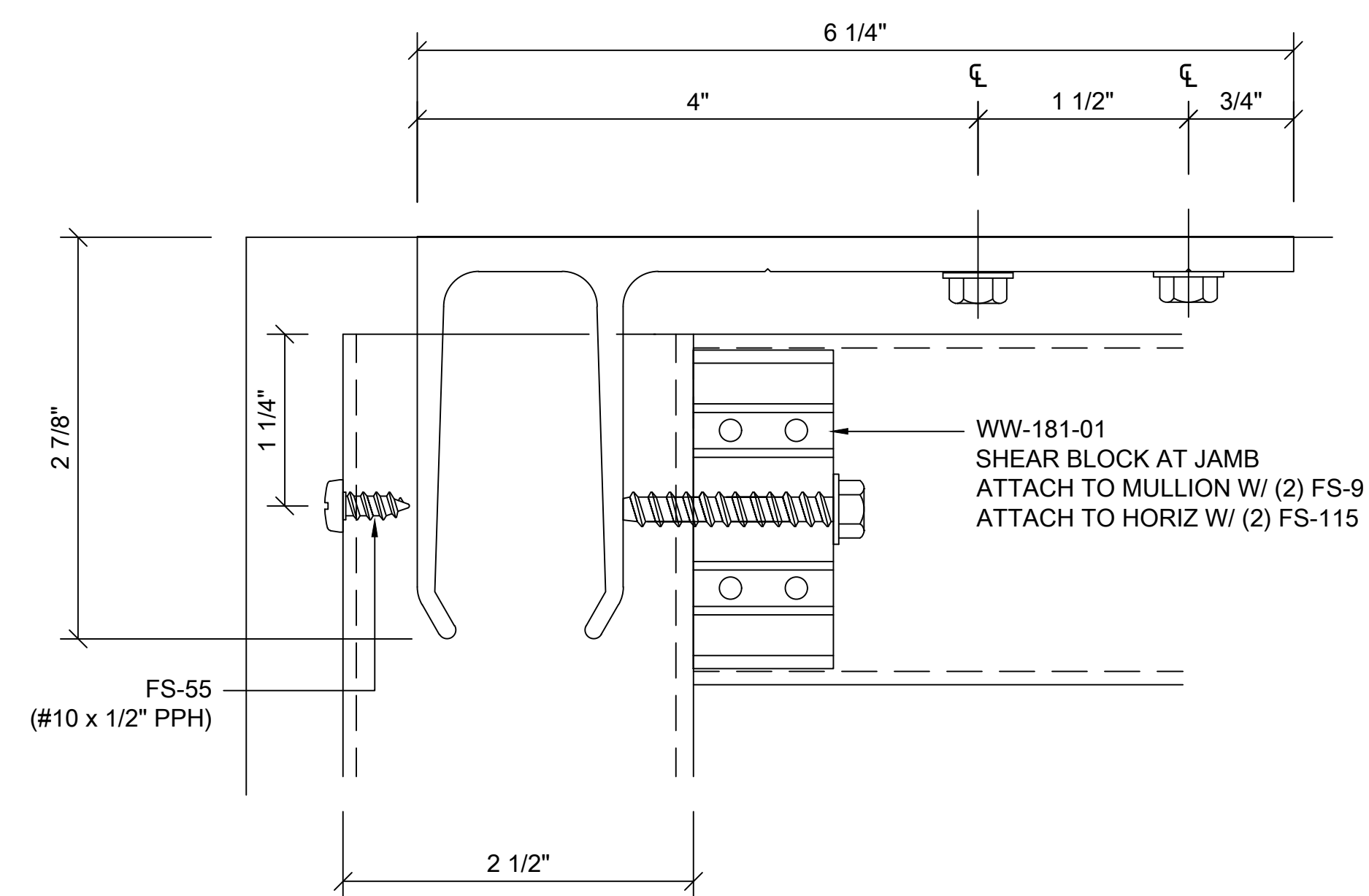
1 CURTAIN WALL HORIZONTAL DETAIL @ CEILING
 ARCH REF: E1/A6.1
 1'-0" = 1'-0"





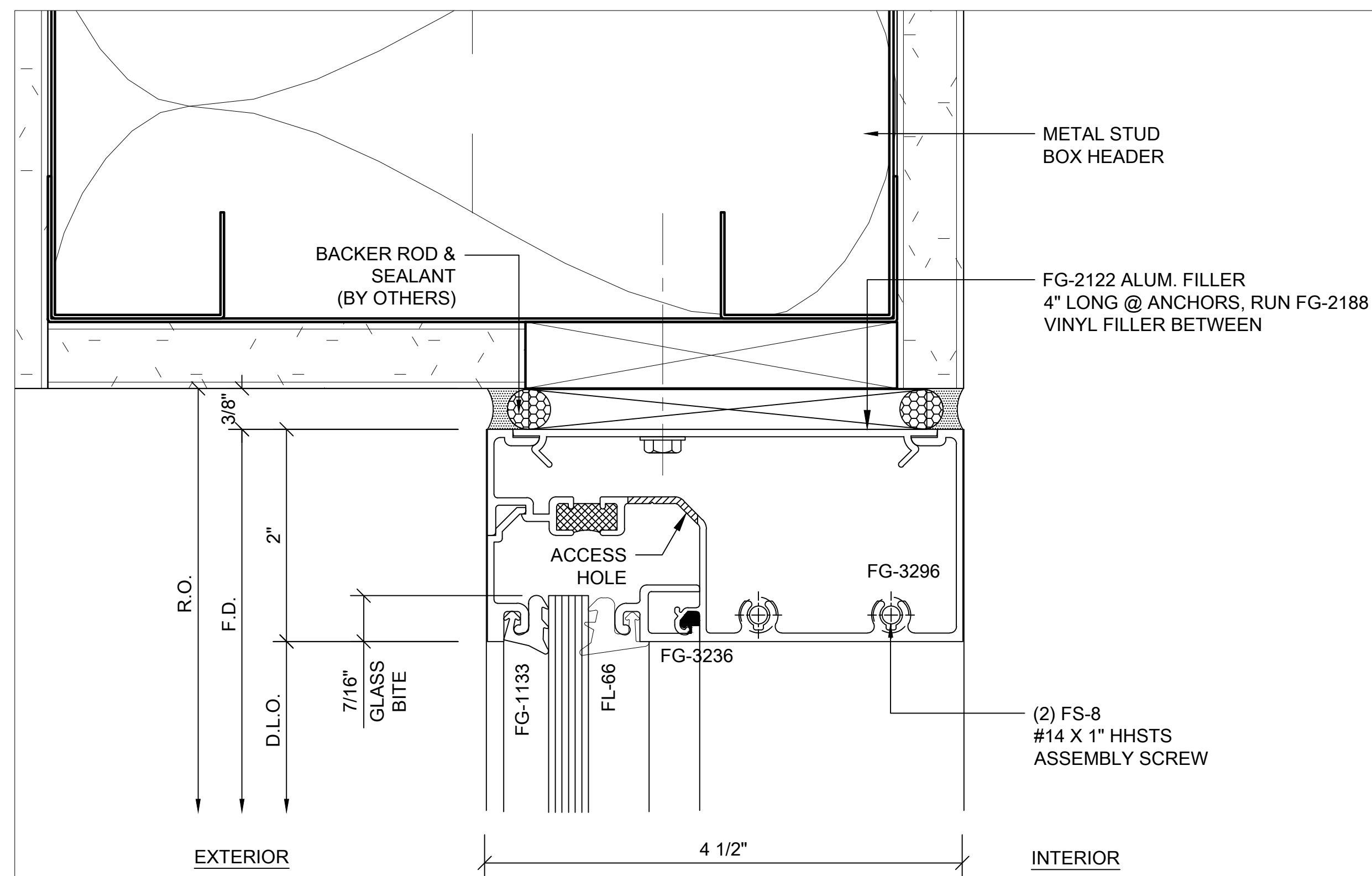
1 CURTAIN WALL ANCHOR REFLECTED PLAN @ JAMB
 ARCH REF: N/A 1'-0" = 1'-0"

2 CURTAIN WALL ANCHOR REFLECTED PLAN @ VERTICAL
 ARCH REF: N/A 1'-0" = 1'-0"

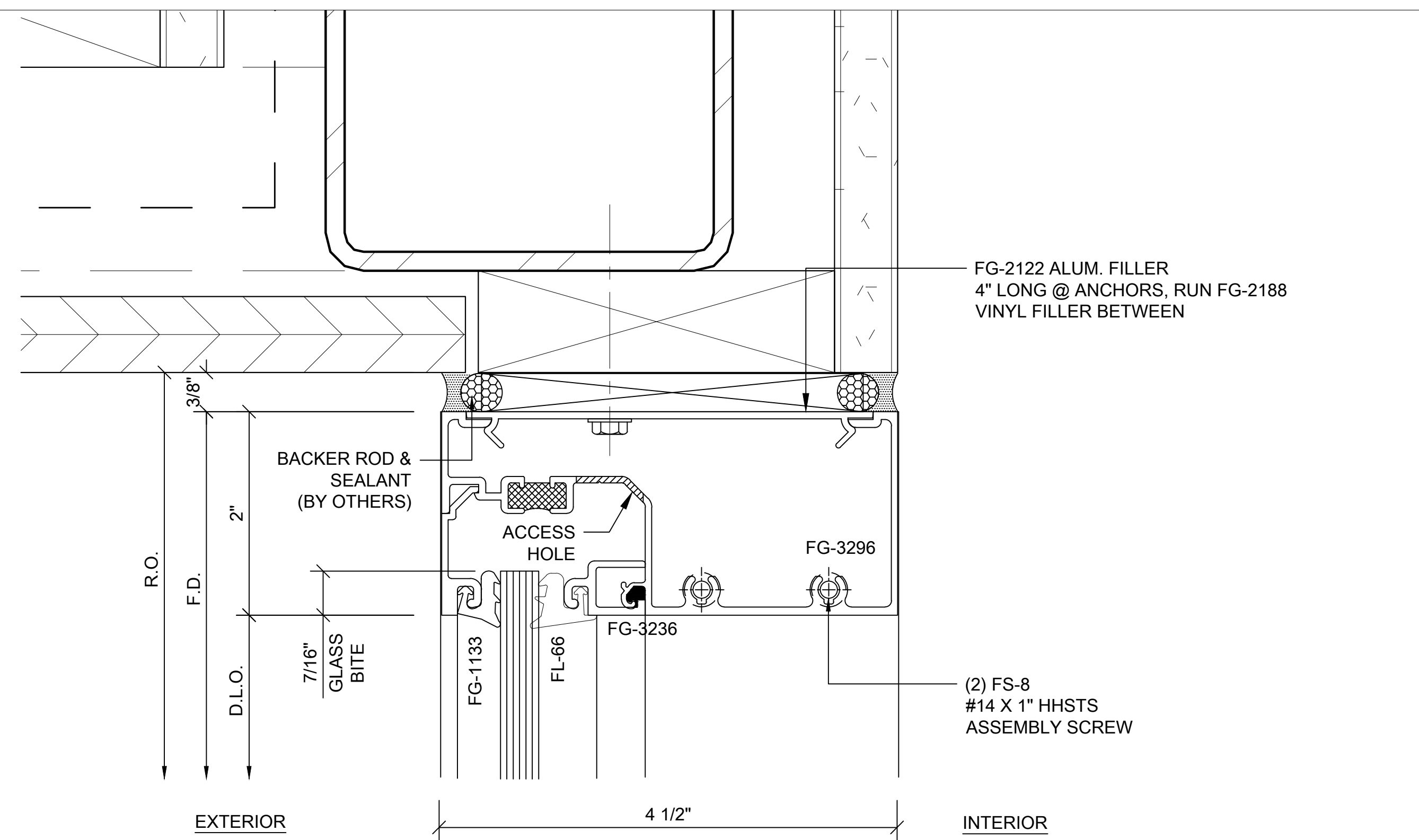


3 HEAD ANCHOR FRONT VIEW @ JAMB
 ARCH REF: N/A 1'-0" = 1'-0"

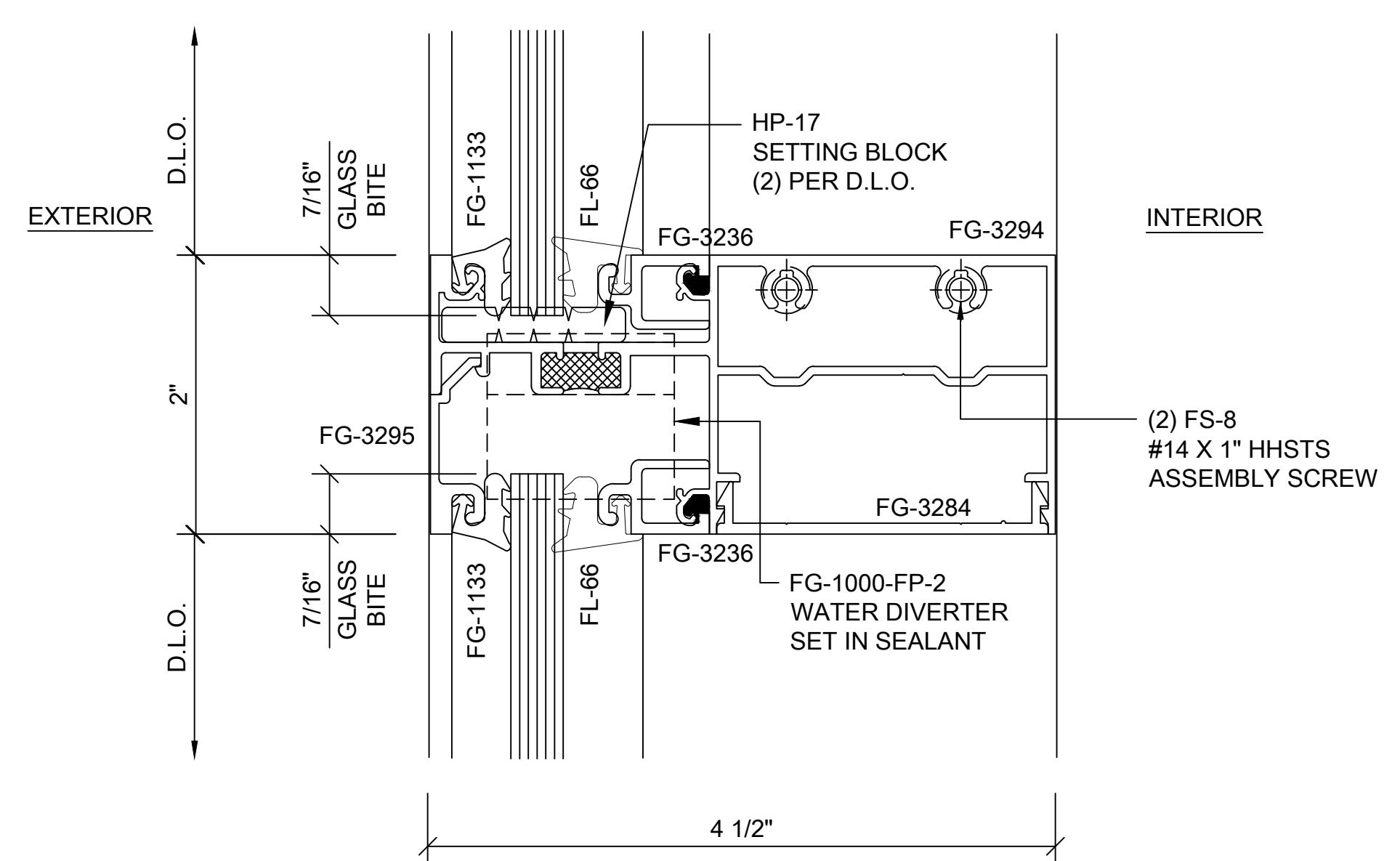
4 HEAD ANCHOR FRONT VIEW @ VERTICAL
 ARCH REF: N/A 1'-0" = 1'-0"



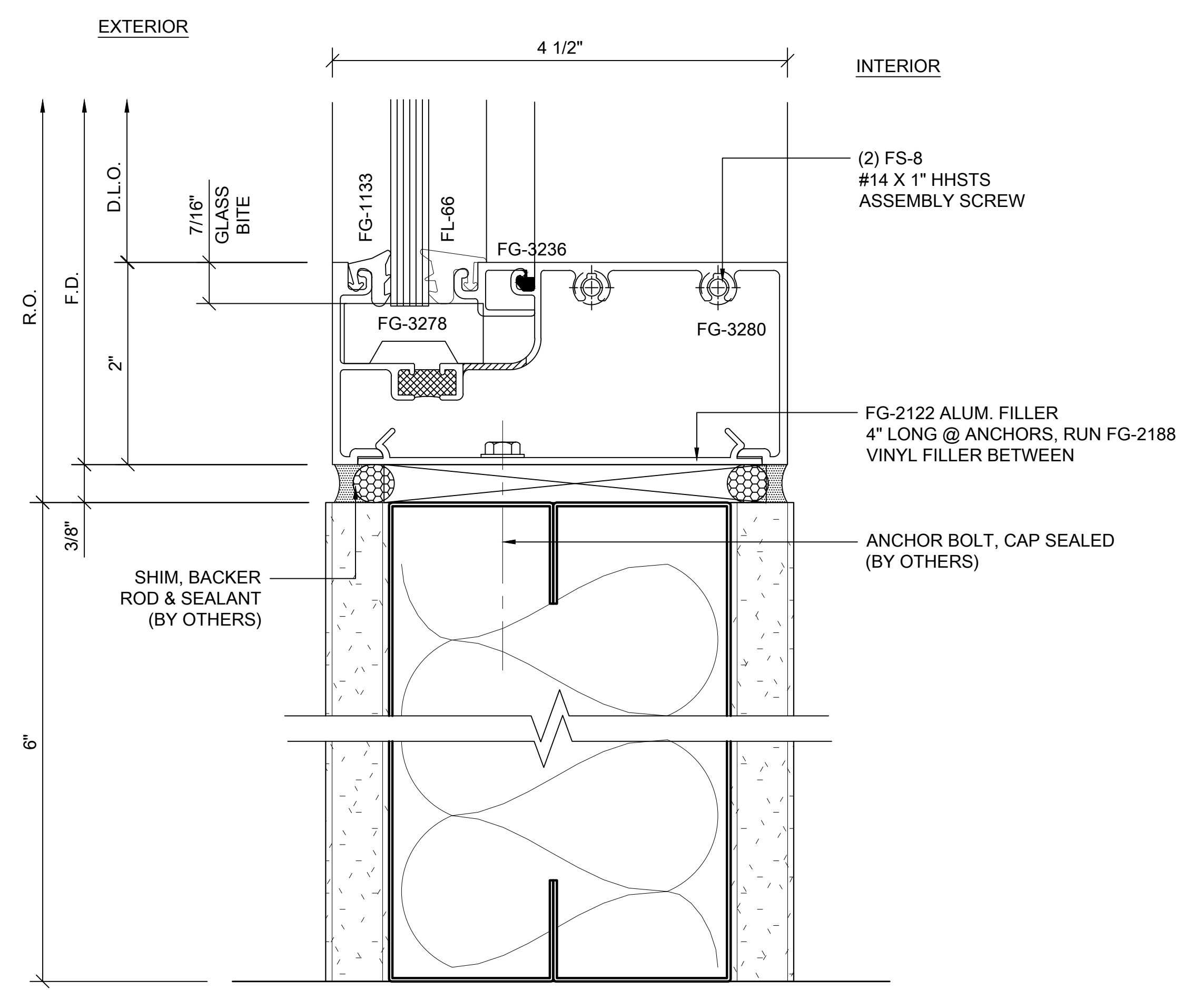
1 FG3000 2"X4.5" HEAD DETAIL W/ G2
 ARCH REF: F7/A7.1 1'-0" = 1'-0"



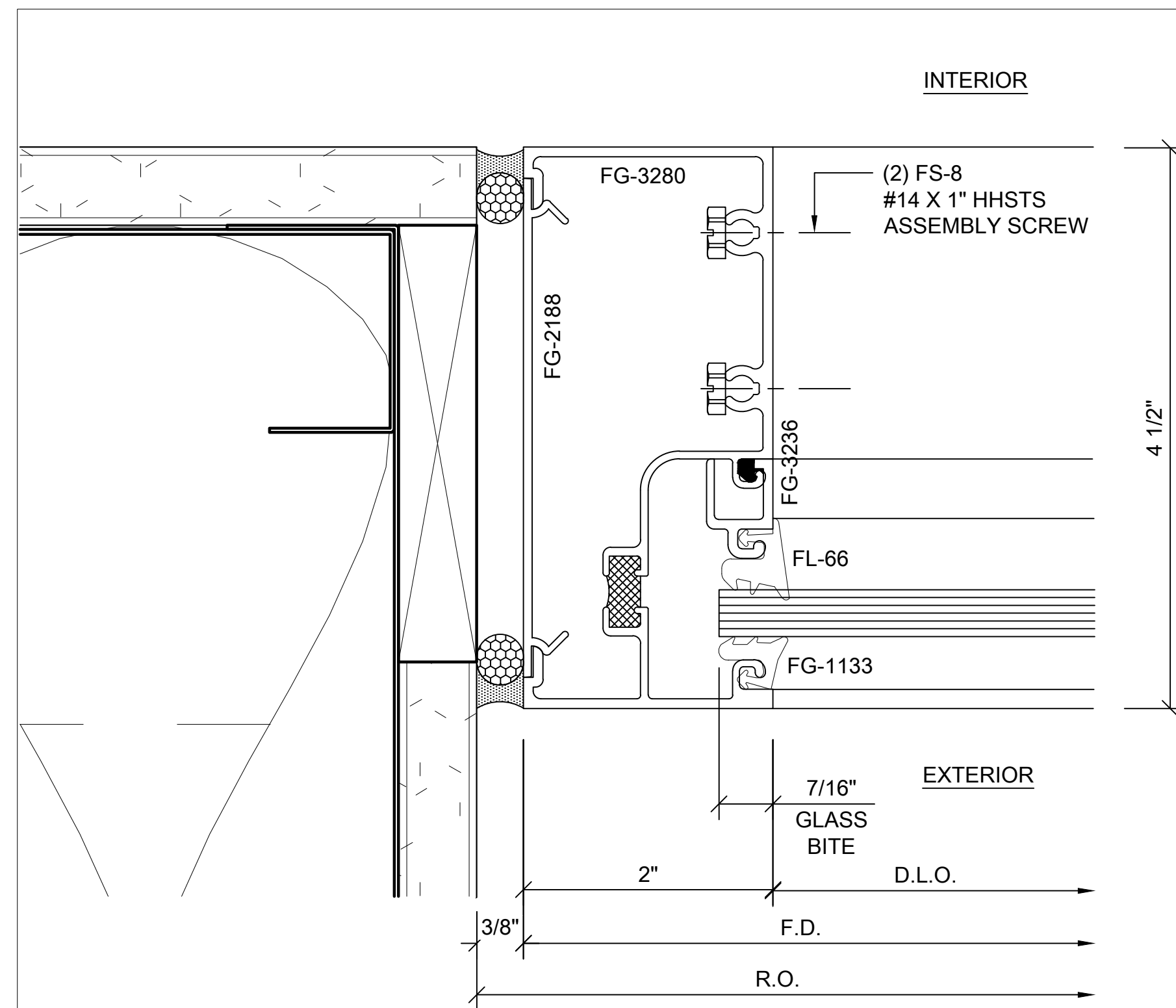
3 FG3000 2"X4.5" HEAD DETAIL W/ G2
 ARCH REF: C3, C6, C10/A7.2 1'-0" = 1'-0"



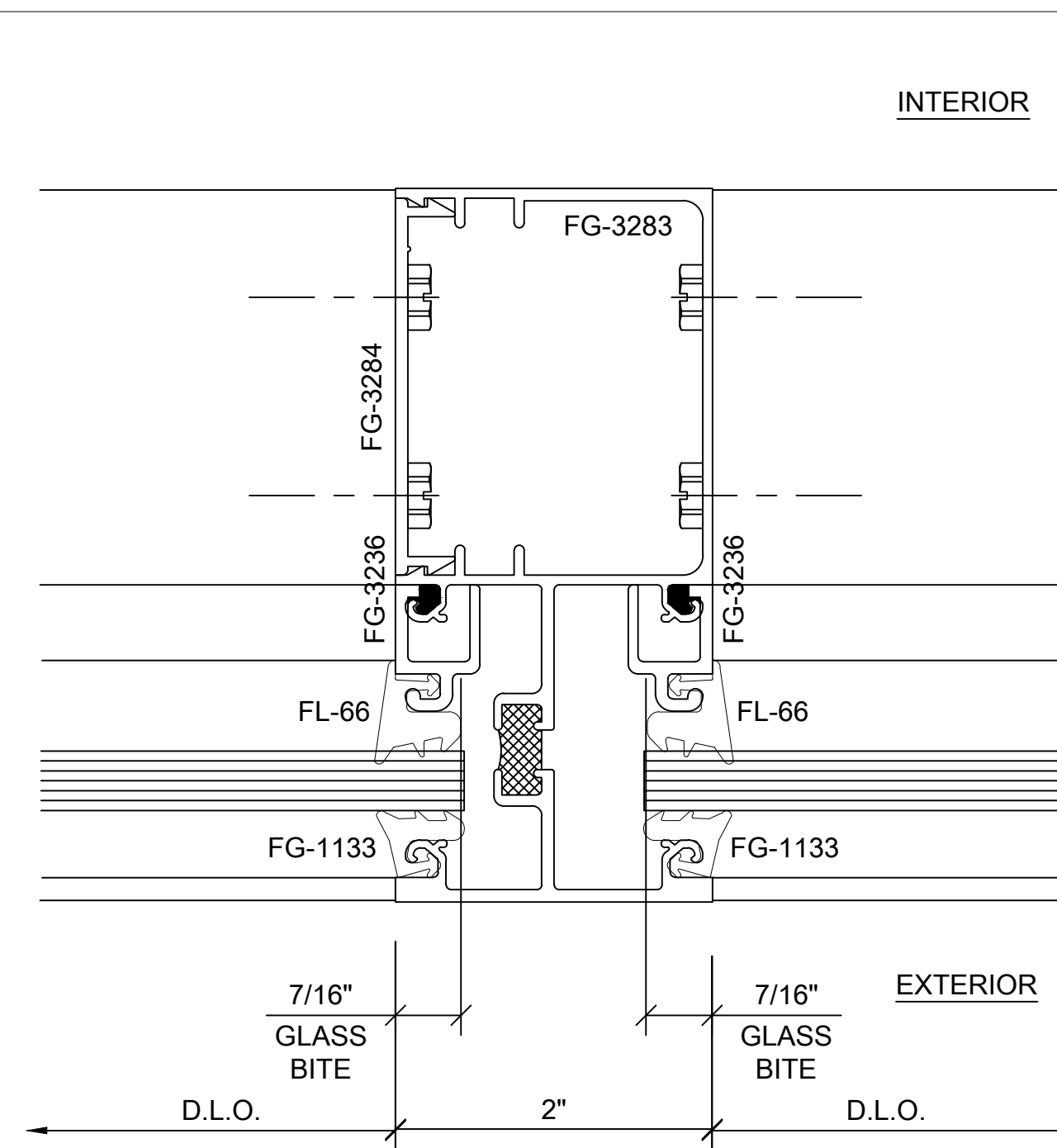
2 FG3000 2"X4.5" HORIZONTAL DETAIL W/ G2
 ARCH REF: N/A 1'-0" = 1'-0"



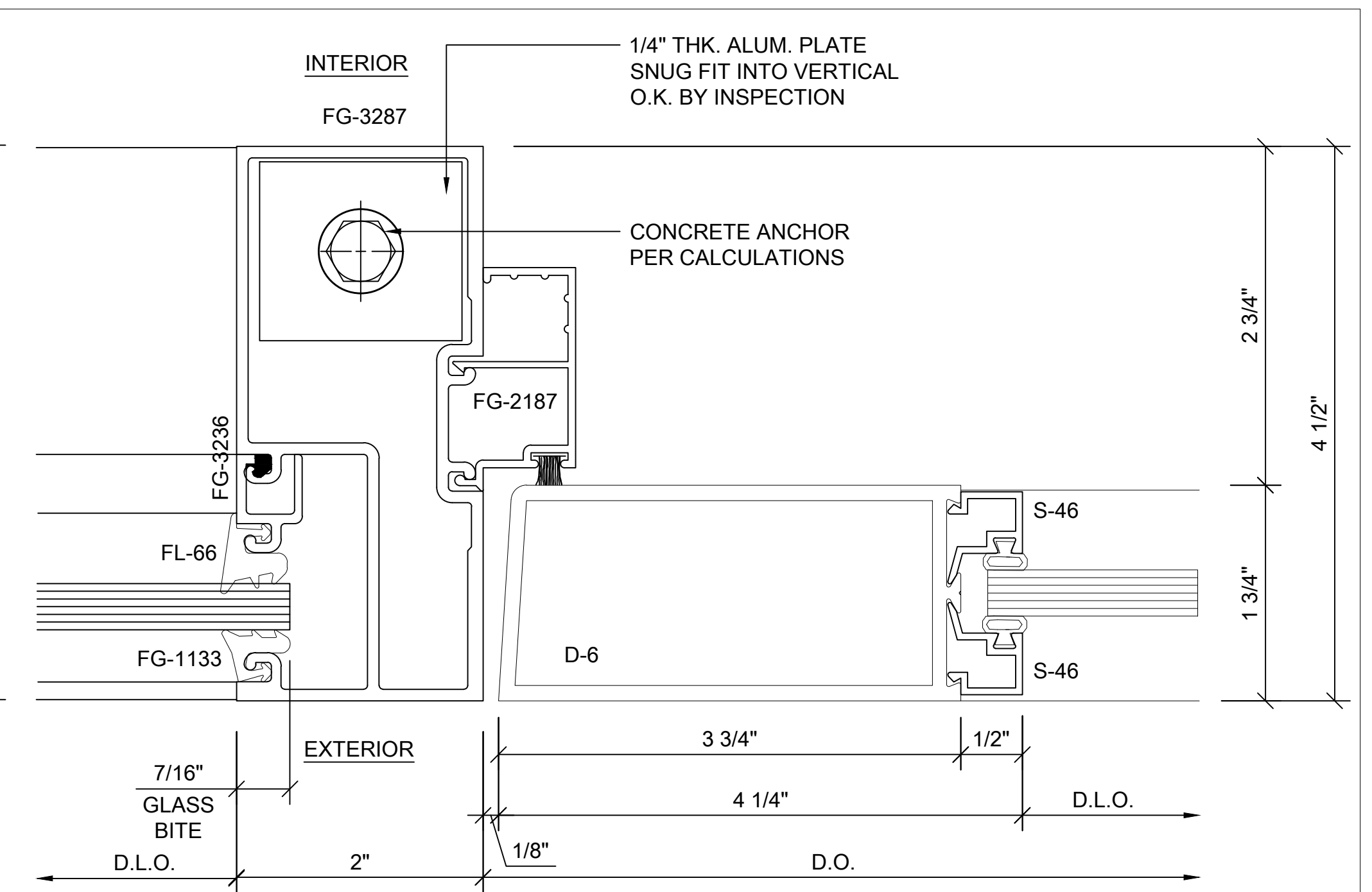
4 FG3000 2"X4.5" SILL DETAIL W/ G2
 ARCH REF: F6/A8.0 1'-0" = 1'-0"



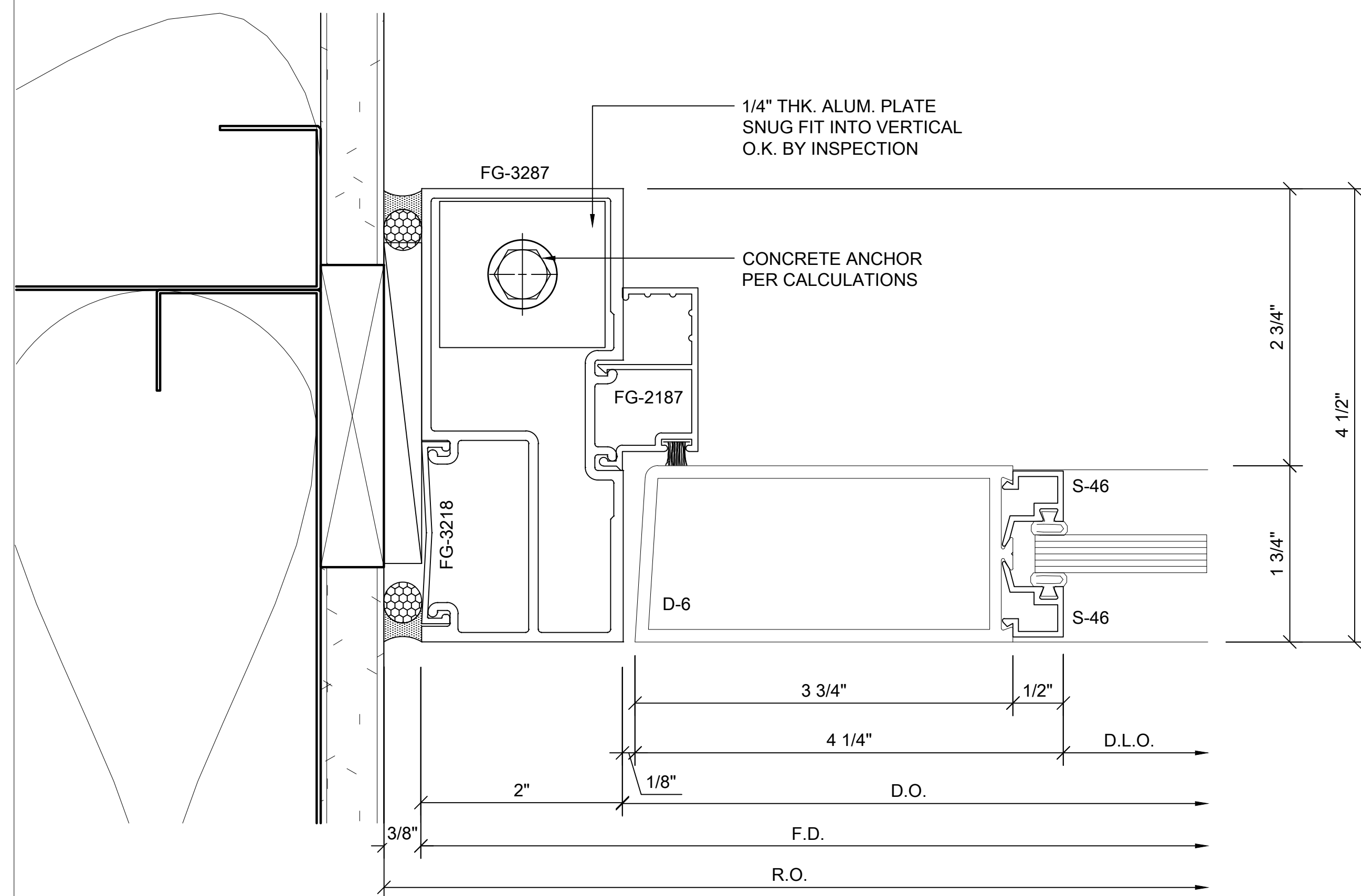
1 FG3000 2"X4.5" JAMB DETAIL W/ G2
 ARCH REF: B1, D1, D7, E1/A7.0 1'-0" = 1'-0"



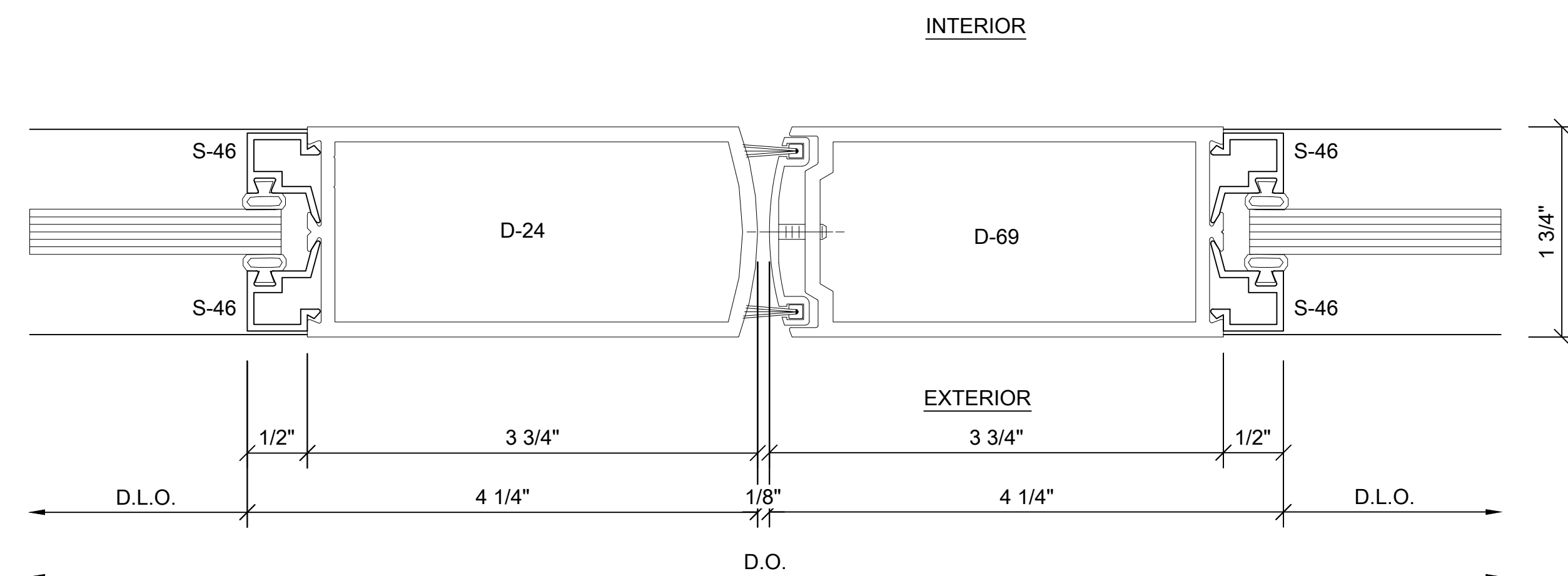
2 FG3000 2"X4.5" VERTICAL DETAIL W/ G2
 ARCH REF: N/A 1'-0" = 1'-0"



3 FG3000 2"X4.5" DOOR JAMB W/ G2
 ARCH REF: F2/A8.0 1'-0" = 1'-0"



4 INTERIOR DOOR JAMB DETAIL
 ARCH REF: F1/A7.0 1'-0" = 1'-0"



5 INTERIOR DOOR MEETING STILE DETAIL
 ARCH REF: N/A 1'-0" = 1'-0"