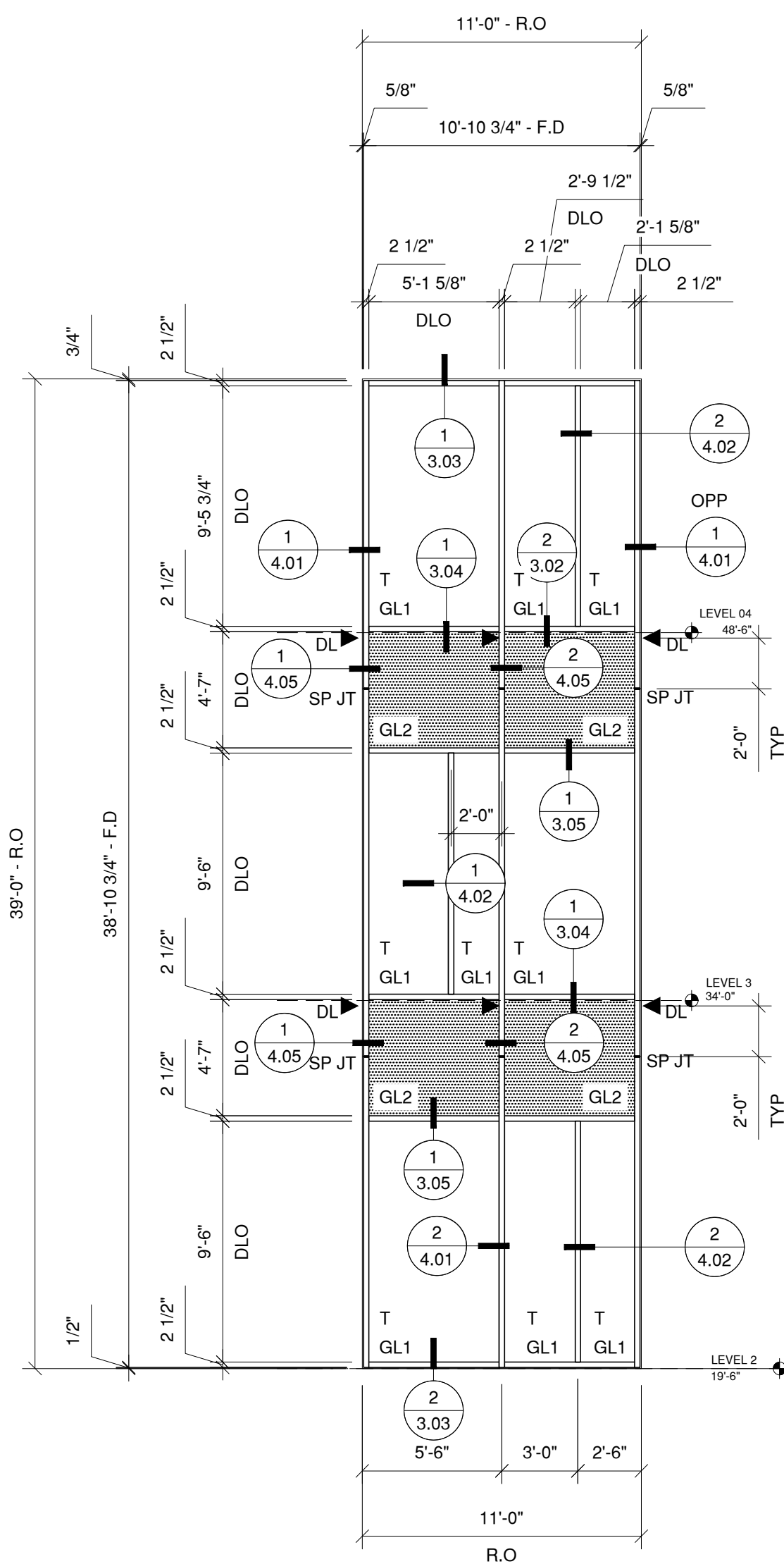


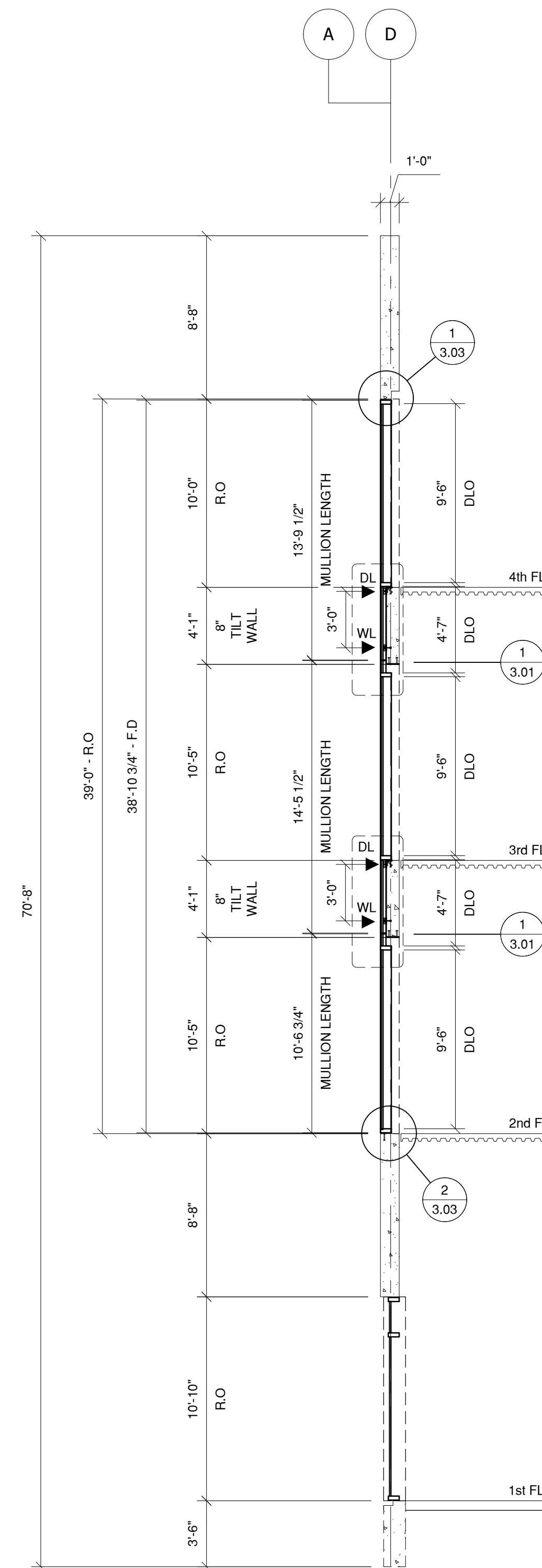
1 SOUTH ELEVATION - 05
 QTY: 11 THUS AS SHOWN
 3/16" = 1'-0" ARCH. REF.: 20/05.201

2 1/2"x7" CURTAIN WALL SERIES 3250 FINISH : PAINTED 2 COAT PPG "KYNAR"				
TAG	ELEVATION	LEVEL	LOCATION	QTY.
1	05	2nd to 4th	SOUTH	10
1	05	2nd to 4th	EAST	1
TOTAL				11

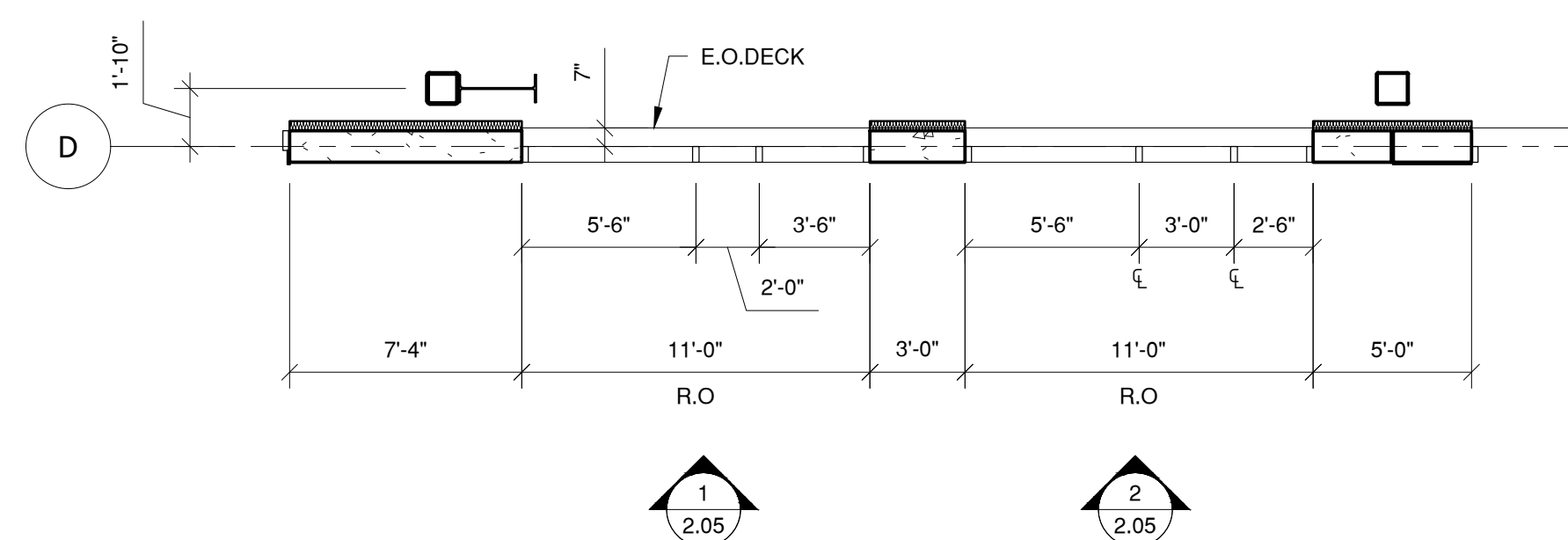


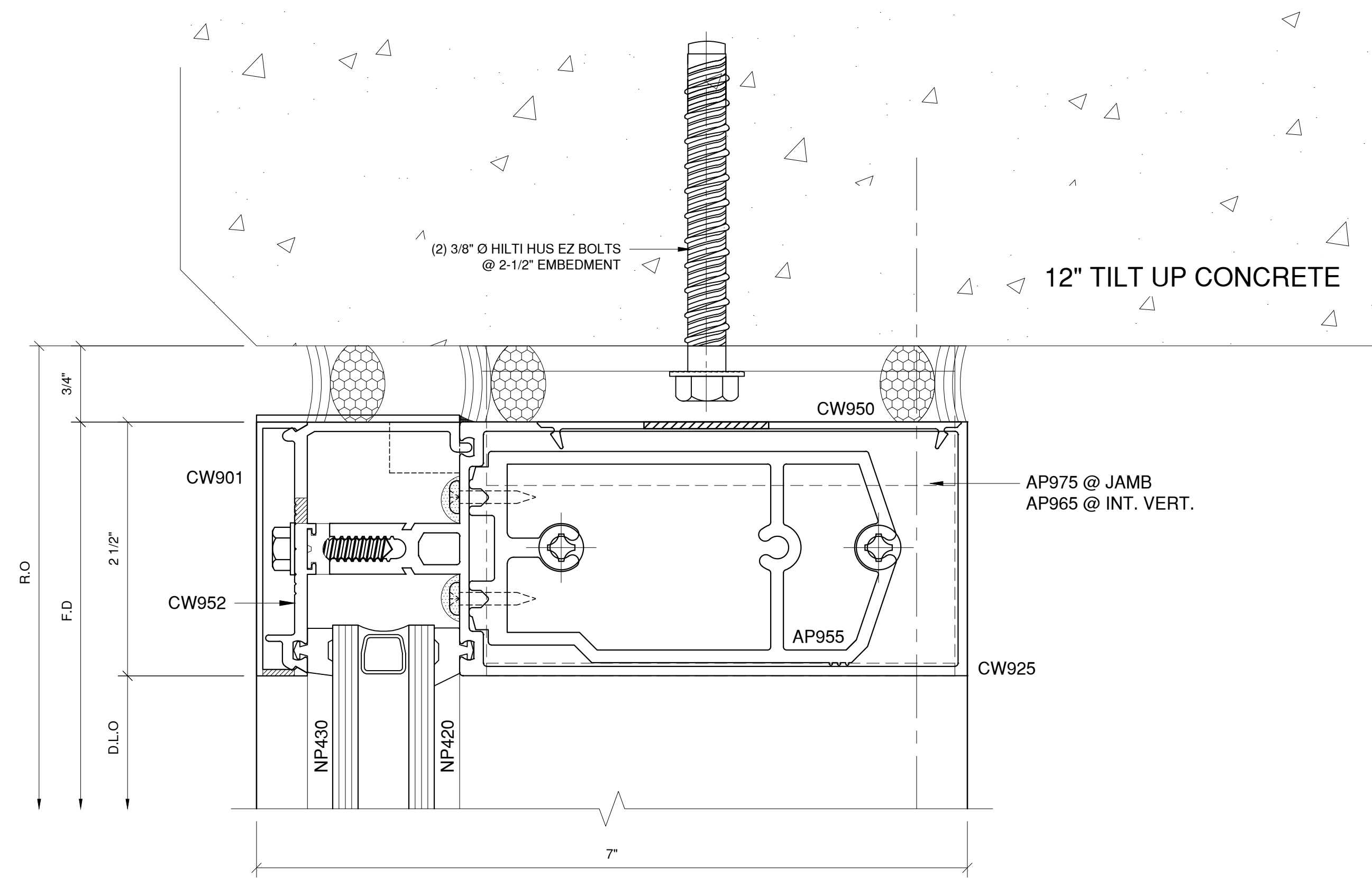
2 SOUTH ELEVATION - 06
 QTY: 17 THUS AS SHOWN
 3/16" = 1'-0" ARCH. REF.: 16/A05.201

2 1/2"x7" CURTAIN WALL SERIES 3250 FINISH : PAINTED 2 COAT PPG "KYNAR"				
TAG	ELEVATION	LEVEL	LOCATION	QTY.
1	06	2nd to 4th	SOUTH	9
1	06	2nd to 4th	EAST	2
TOTAL				11

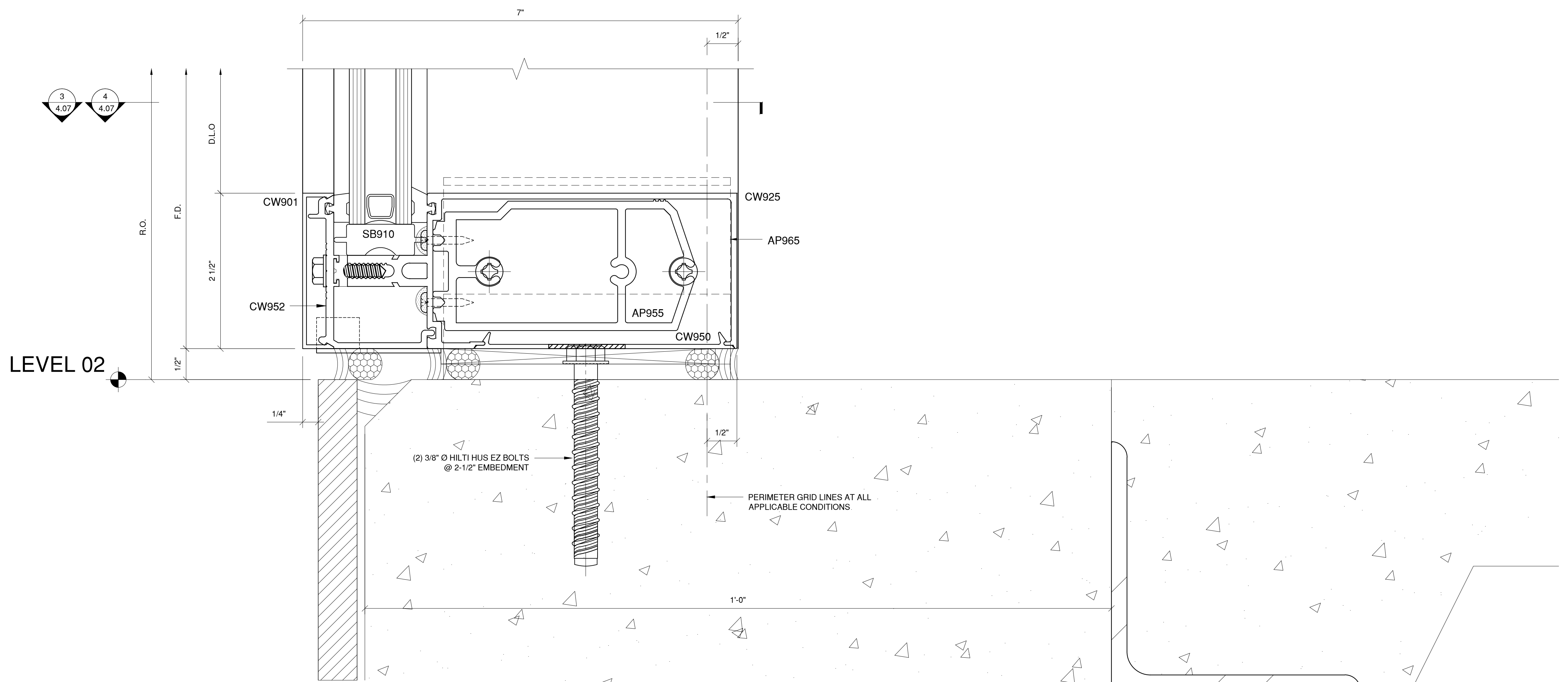


3 SECTION "A"
 3/16" = 1'-0" ARCH. REF.: 12/A05.201

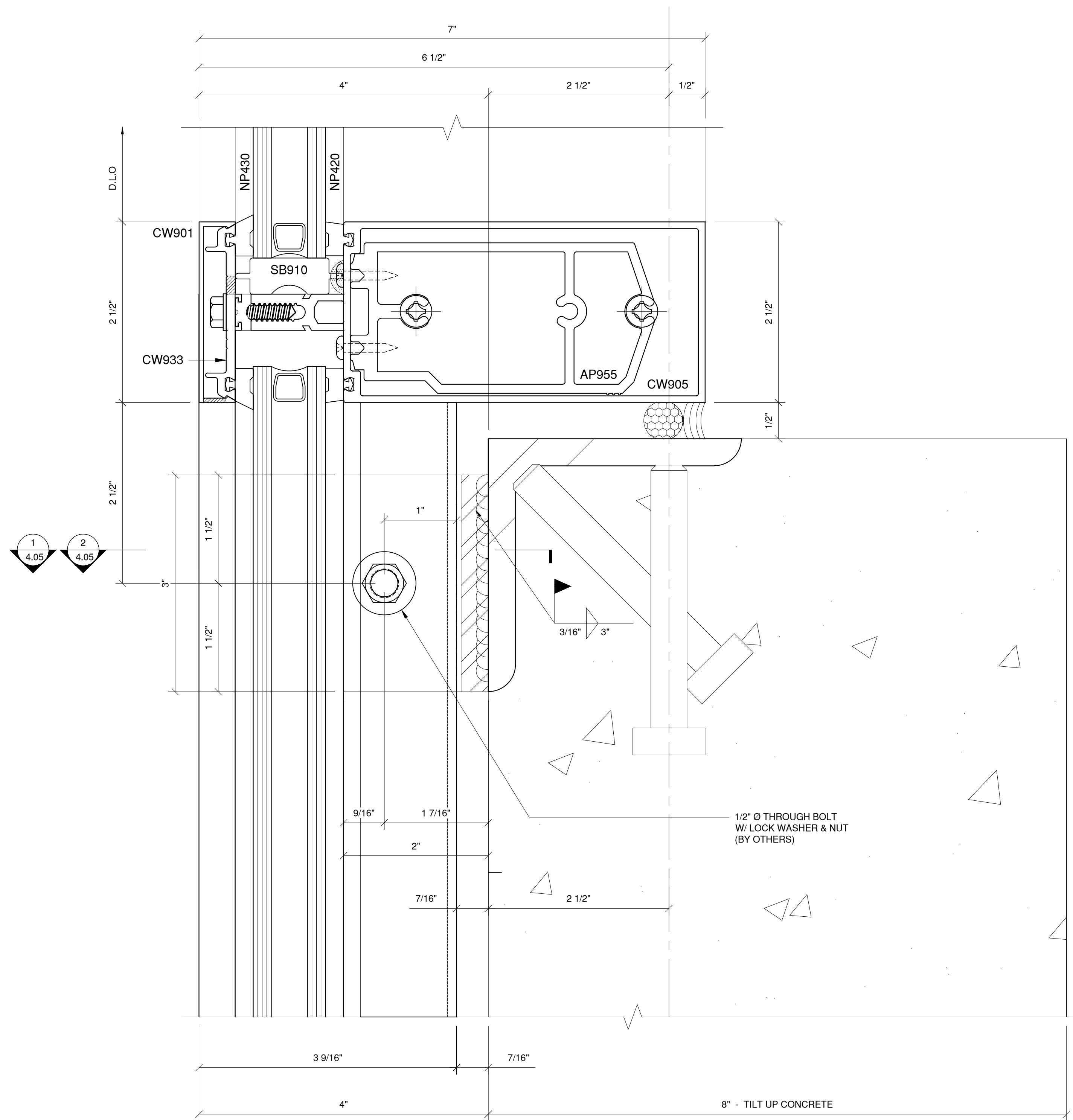




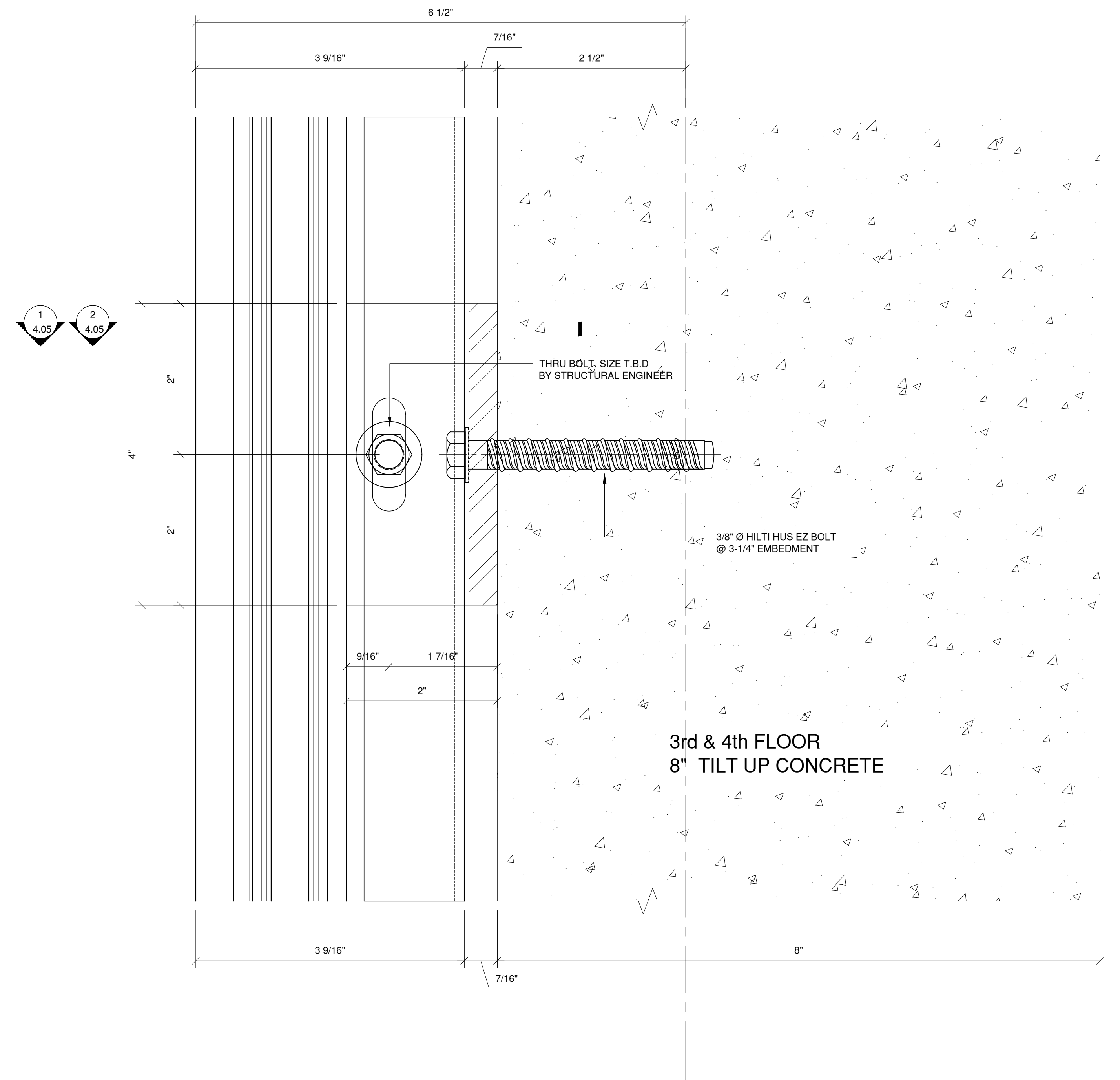
1 CURTAINWALL HEAD SECTION DETAIL
 1'-0" = 1'-0" ARCH. REF.: 12/A05.201



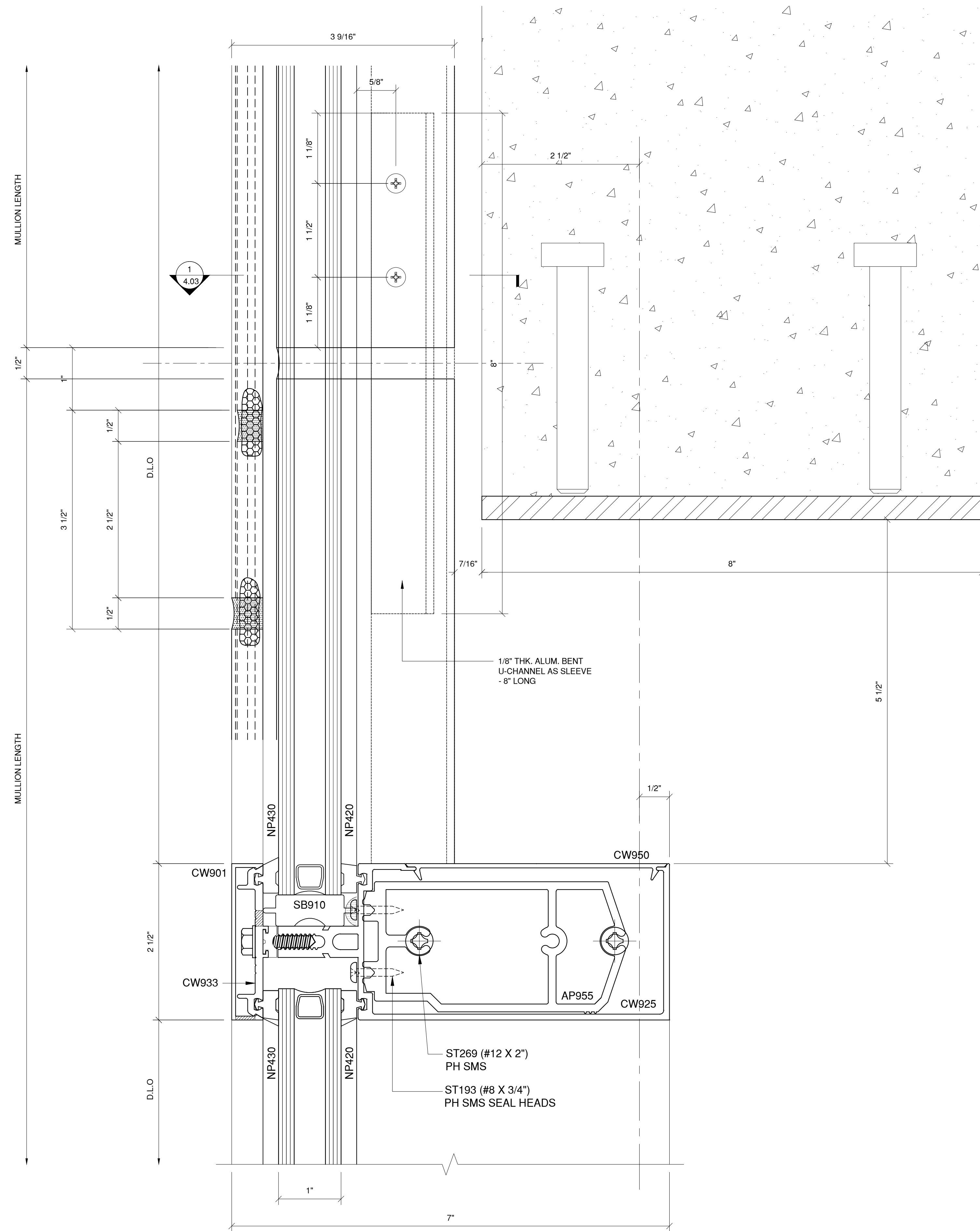
2 SILL SECTION DETAIL AT 2nd FLOOR
 1'-0" = 1'-0" ARCH. REF.: 3/S4-21



1 HORIZONTAL SECTION DETAIL AT FLOOR LINE
 1'-0" = 1'-0" ARCH. REF.: N/A

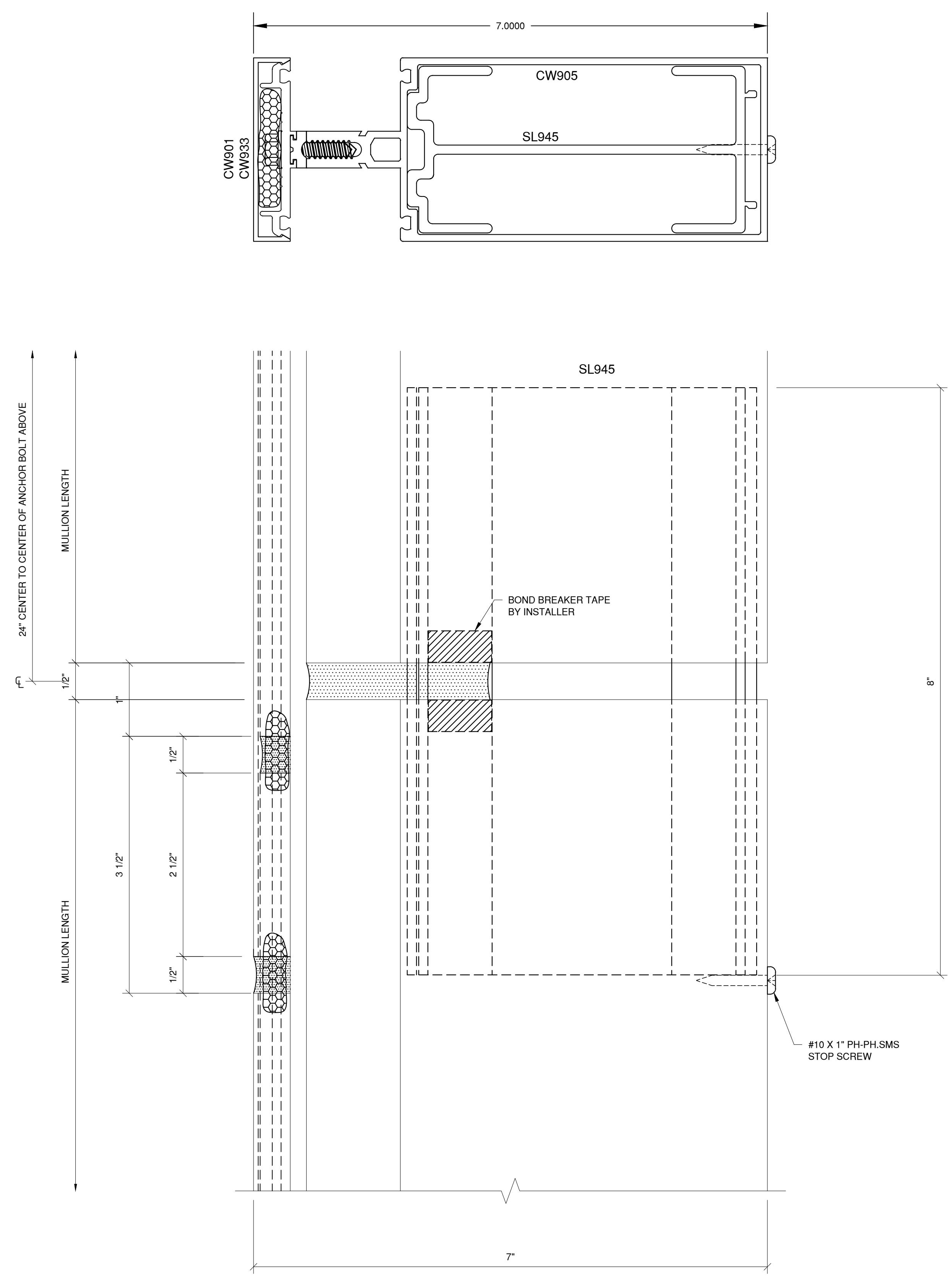


2 CURTAIN WALL SPLICE SLEEVE DETAIL
 1'-0" = 1'-0" ARCH. REF.: N/A



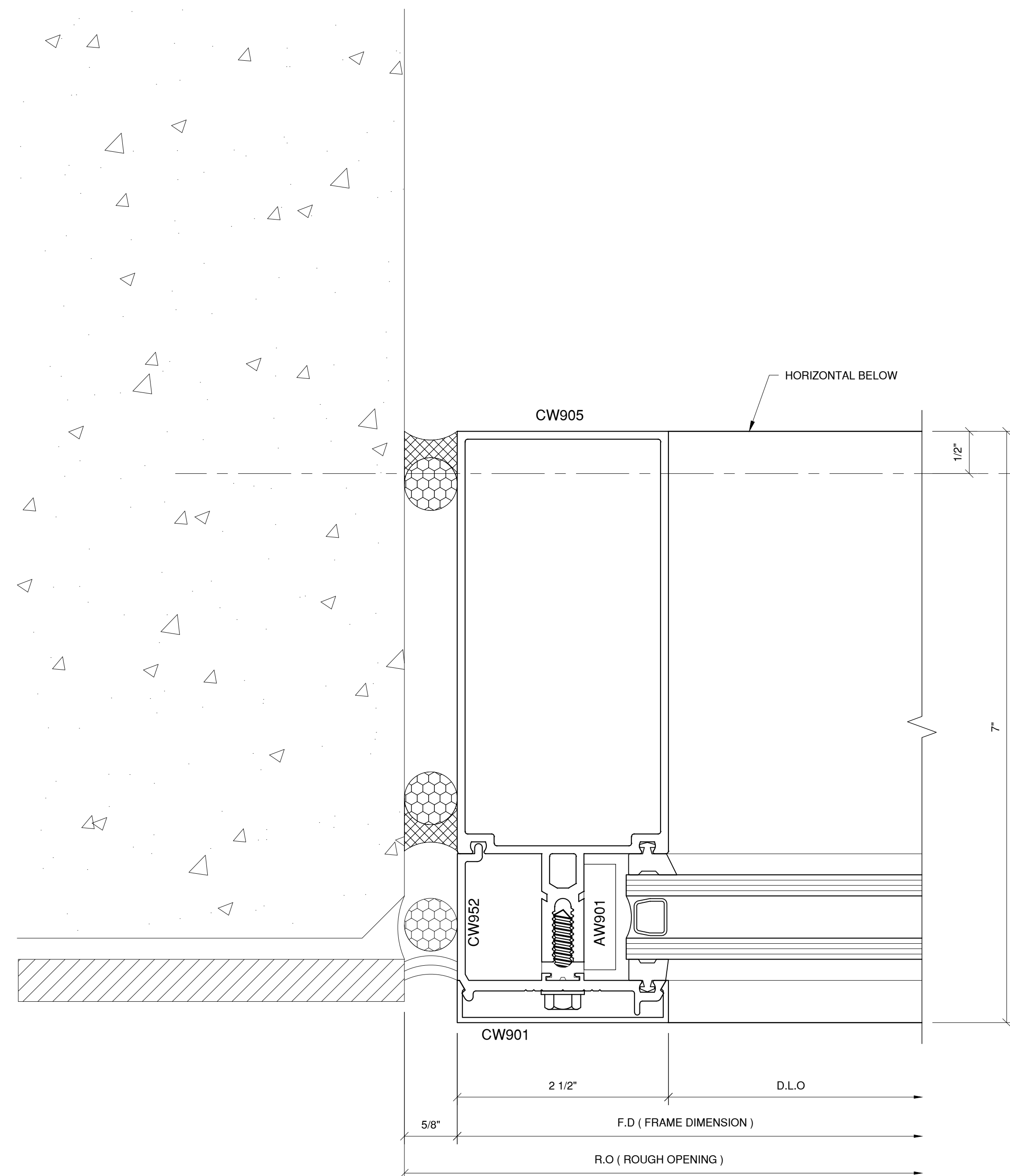
1 HORIZONTAL SECTION DETAIL
AT BELOW TILT UP PRECAST

1'-0" = 1'-0" ARCH. REF.: 9/S4-21

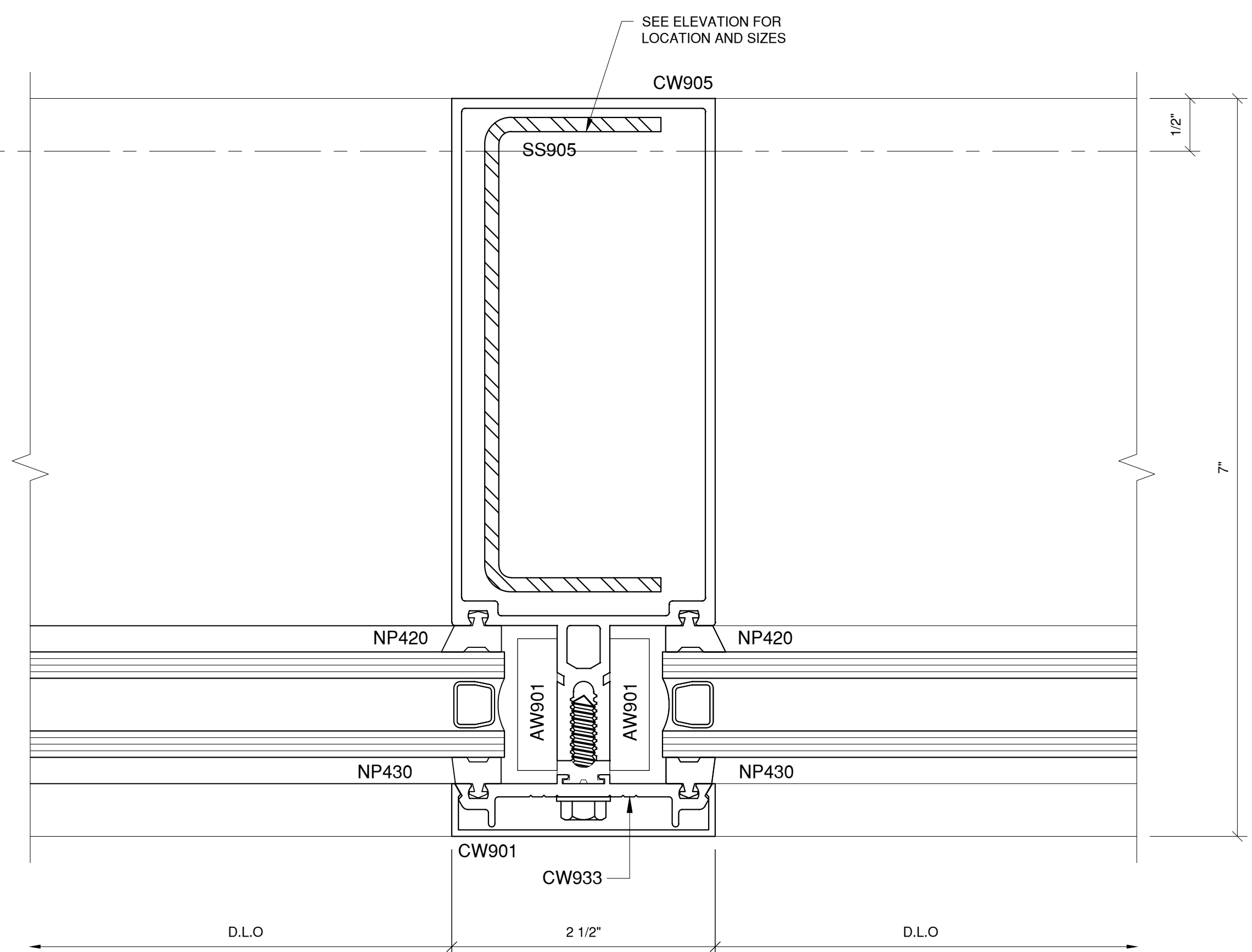


2 VERTICAL SPLICE JOINT DETAILS

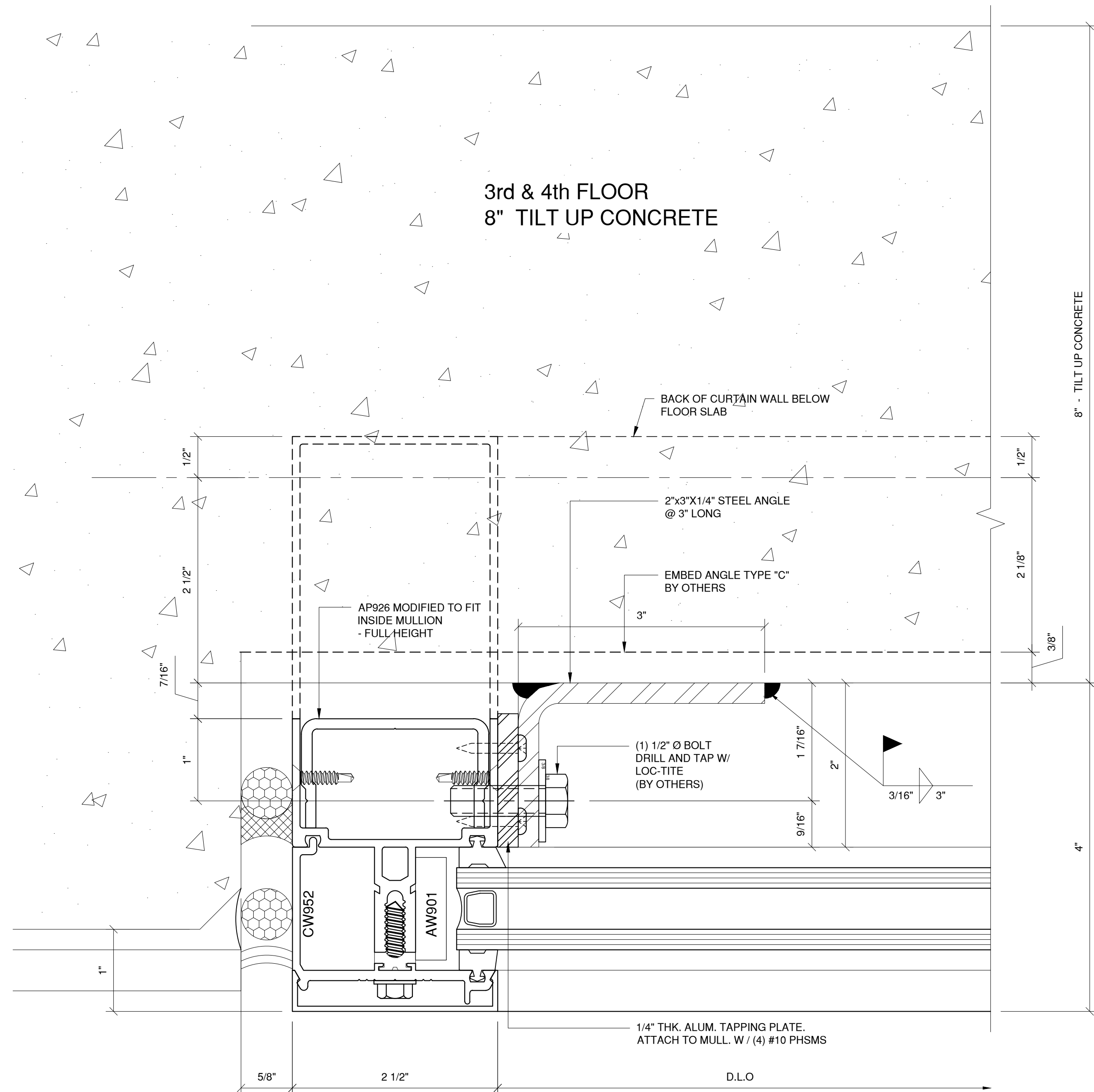
1'-0" = 1'-0" ARCH. REF.: N/A



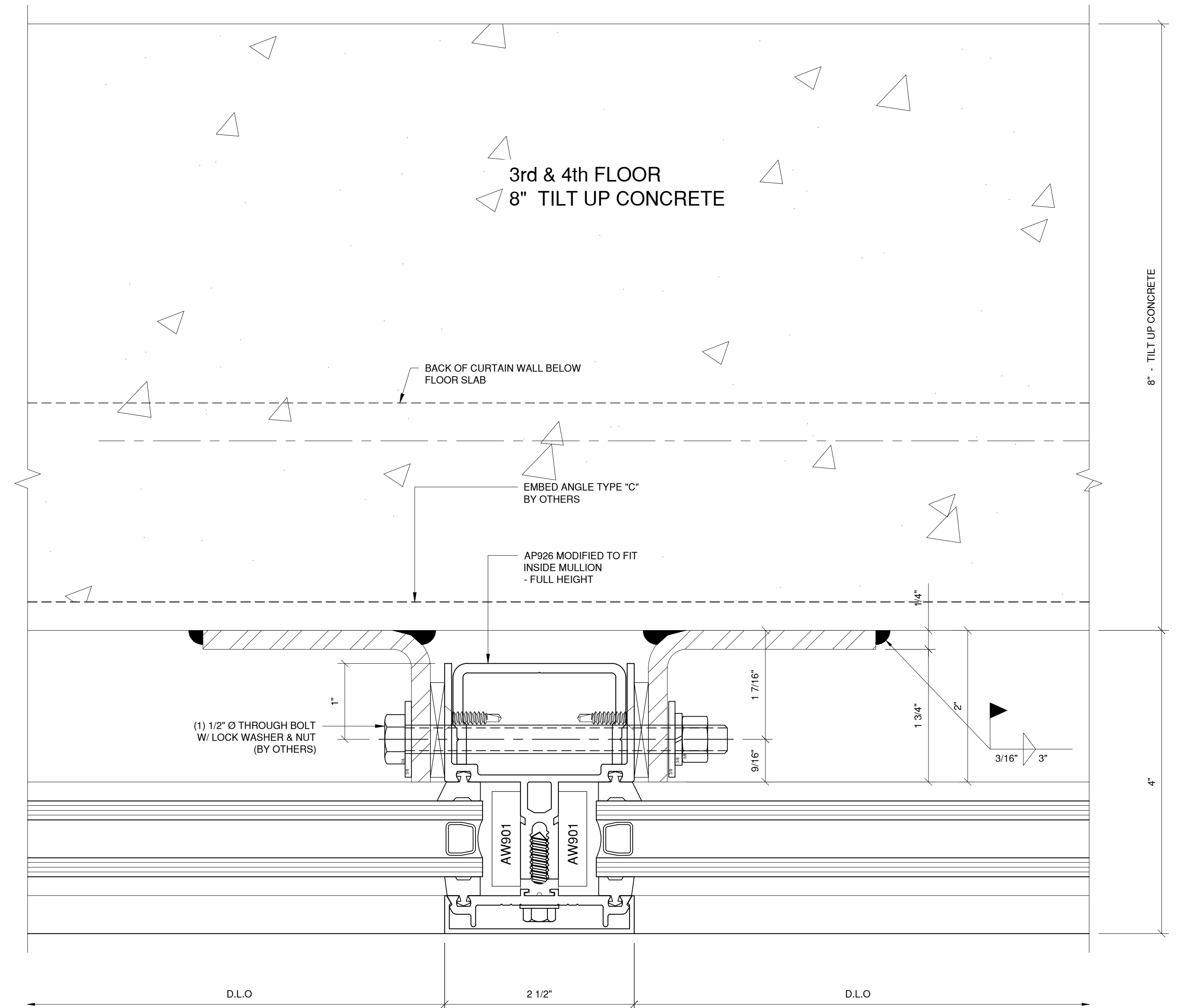
1 WALL JAMB SECTION DETAIL
 1'-0" = 1'-0" ARCH. REF.: 12/A05.401



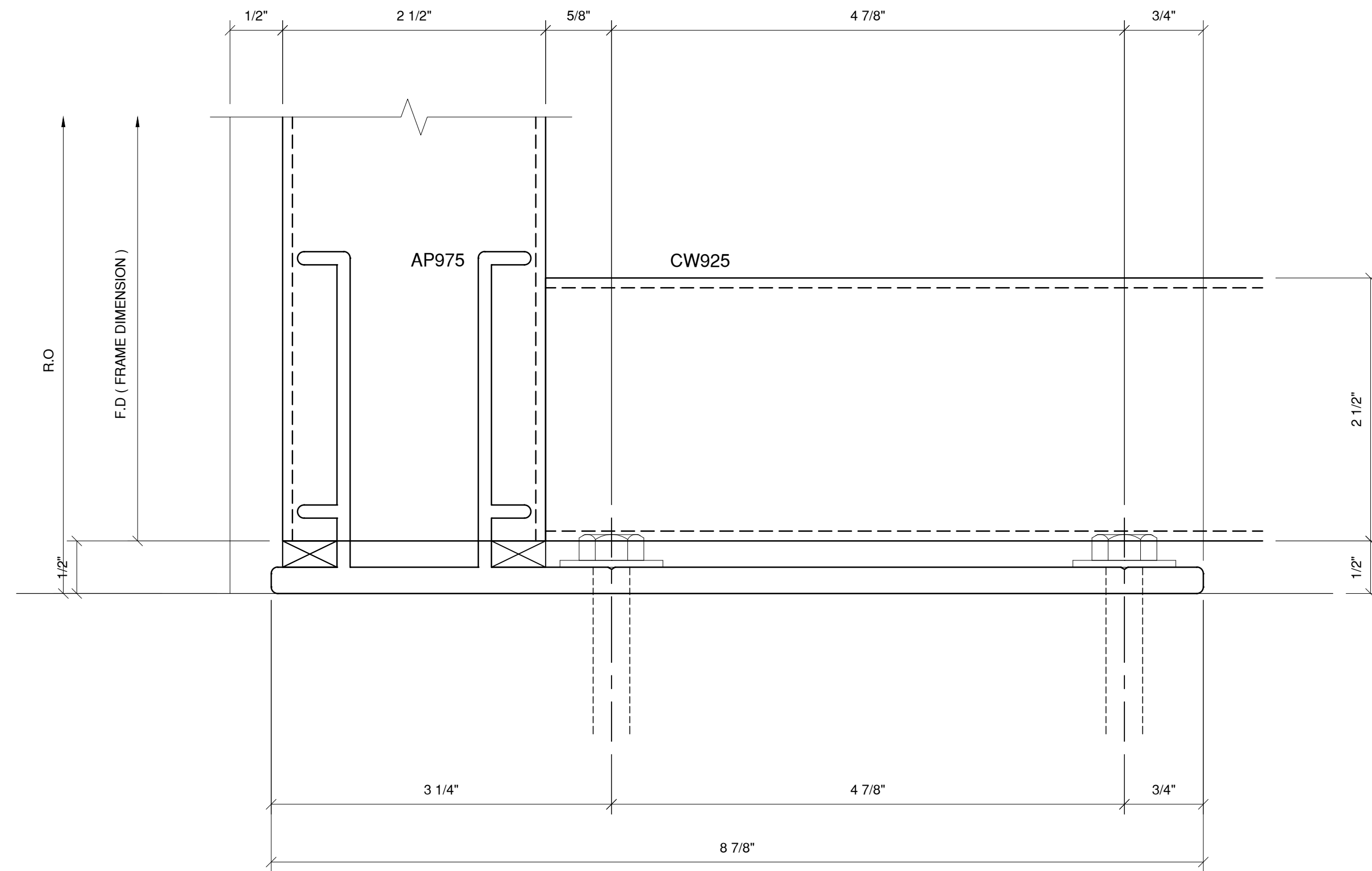
2 TYP CURTAINWALL VERTICAL DETAIL
 1'-0" = 1'-0" ARCH. REF.: NA



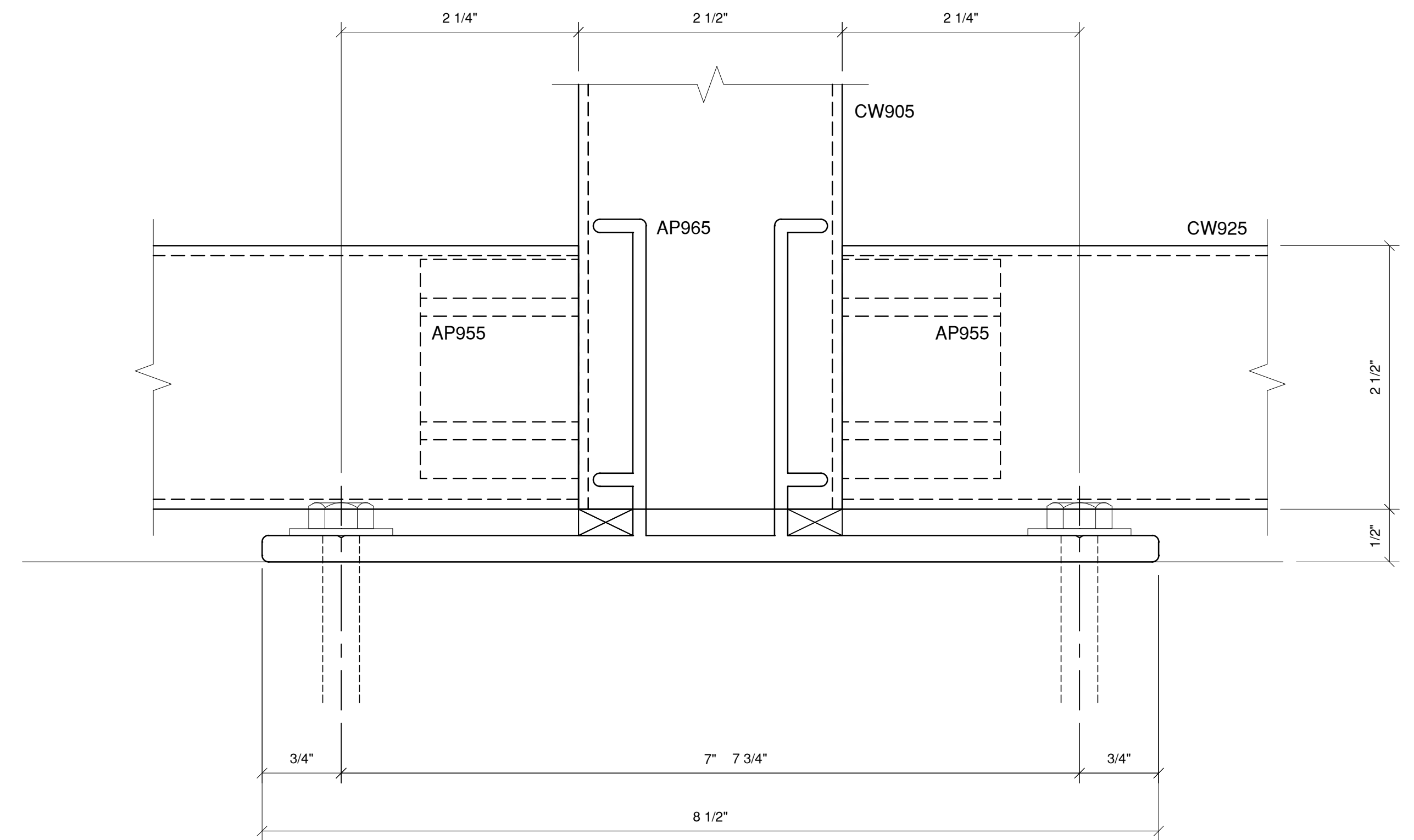
1 DEADLOAD CLIP ANCHOR DETAIL
1'-0" = 1'-0" ARCH. REF.: 11/A05-401



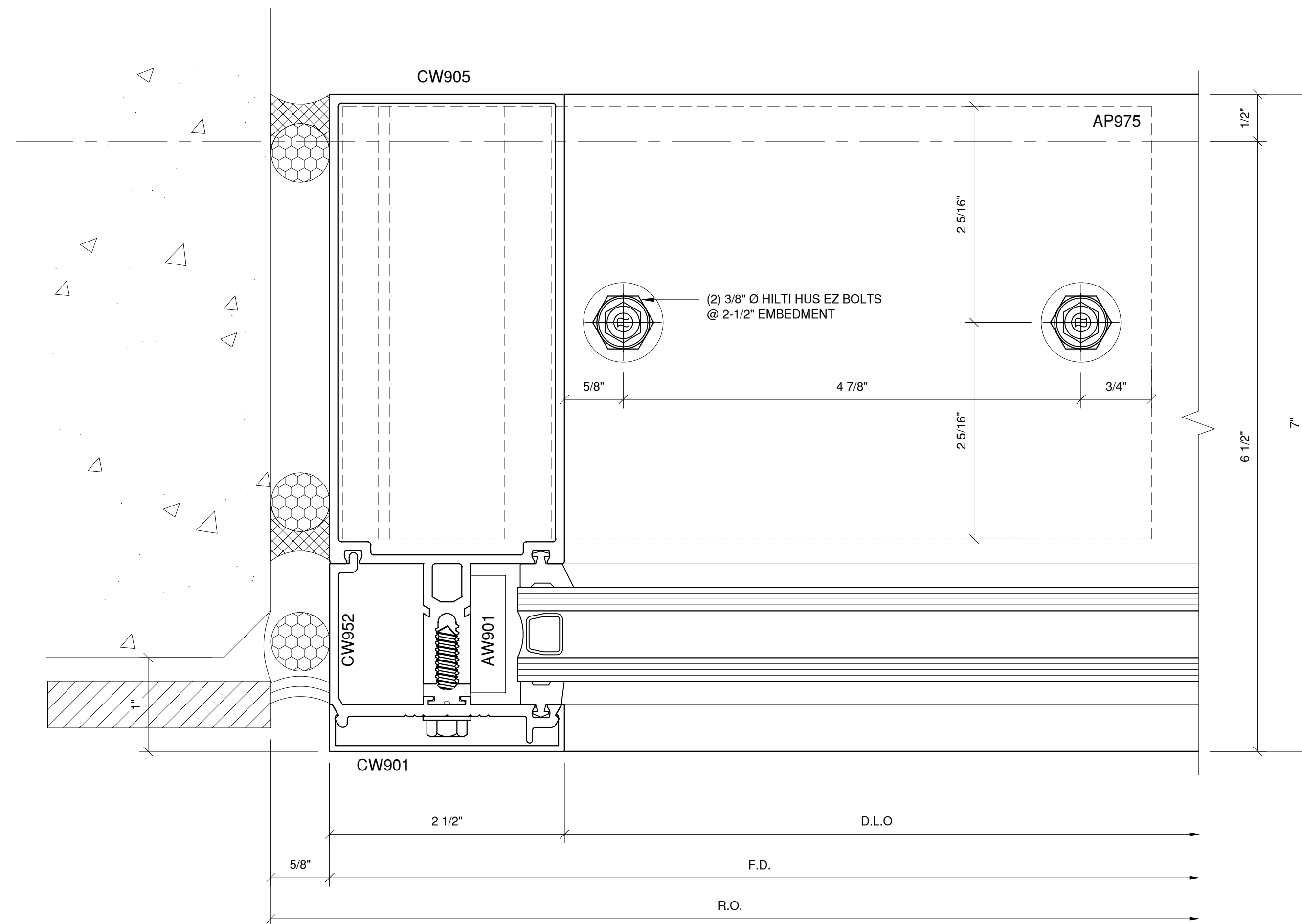
2 DEADLOAD CLIP ANCHOR DETAIL
1'-0" = 1'-0" ARCH. REF.: N/A



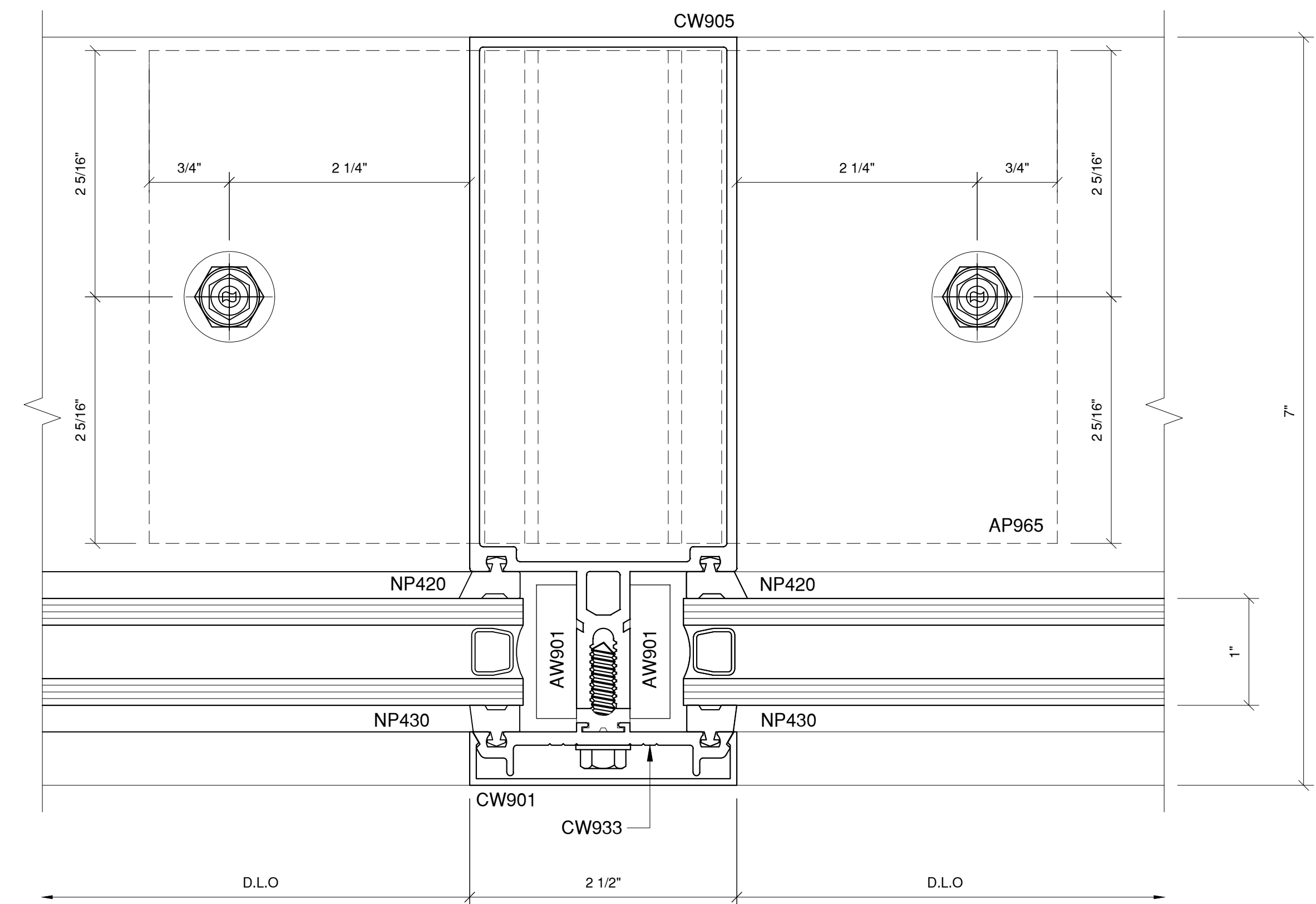
1 WALL JAMB ANCHOR CLIP DETAIL
1'-0" = 1'-0" ARCH. REF.: N/A



2 VERTICAL ANCHOR CLIP DETAIL
1'-0" = 1'-0" ARCH. REF.: N/A



3 WALL JAMB SECTION DETAIL AT 2nd FL
1'-0" = 1'-0" ARCH. REF.: 12/A05-401



4 CURTAINWALL VERTICAL DETAIL
1'-0" = 1'-0" ARCH. REF.: NA