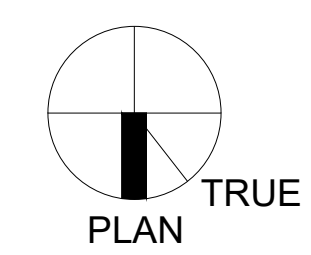
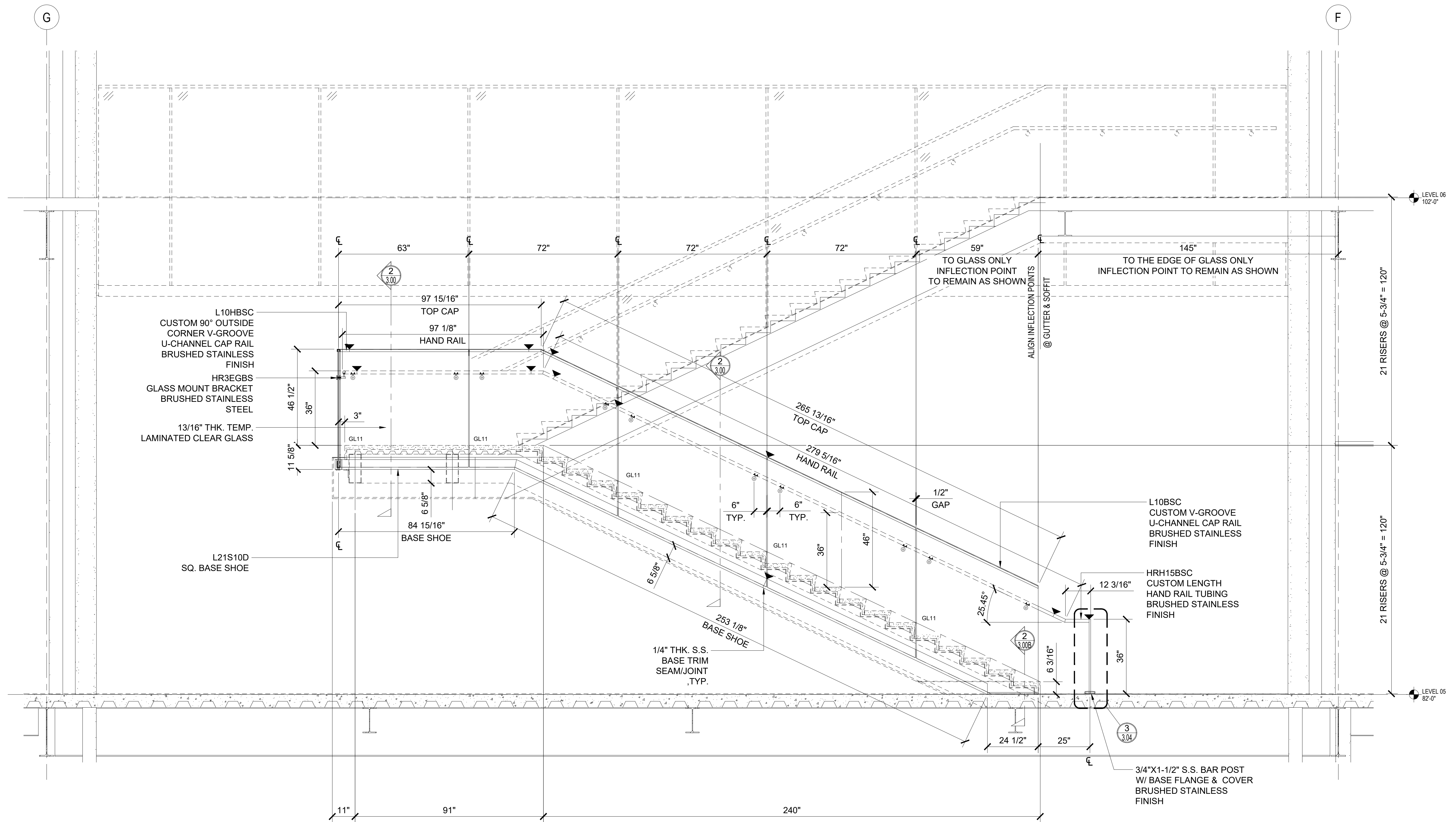


**1 LIGHT COURT STAIR PLAN VIEW @ LVL 5, 7 & 9 (3 THUS)**  
 ARCH REF: 1/A3.1.31 1/2"=1'-0"



**NOTE:**  
 STAIR STRUCTURE MEMBER SIZE PENDING INFORMATION  
 FROM xxx STAIR. ATTACHMENTS TO BE  
 CONFIRMED/COORDINATED WITH xxx STAIR STRUCTURE

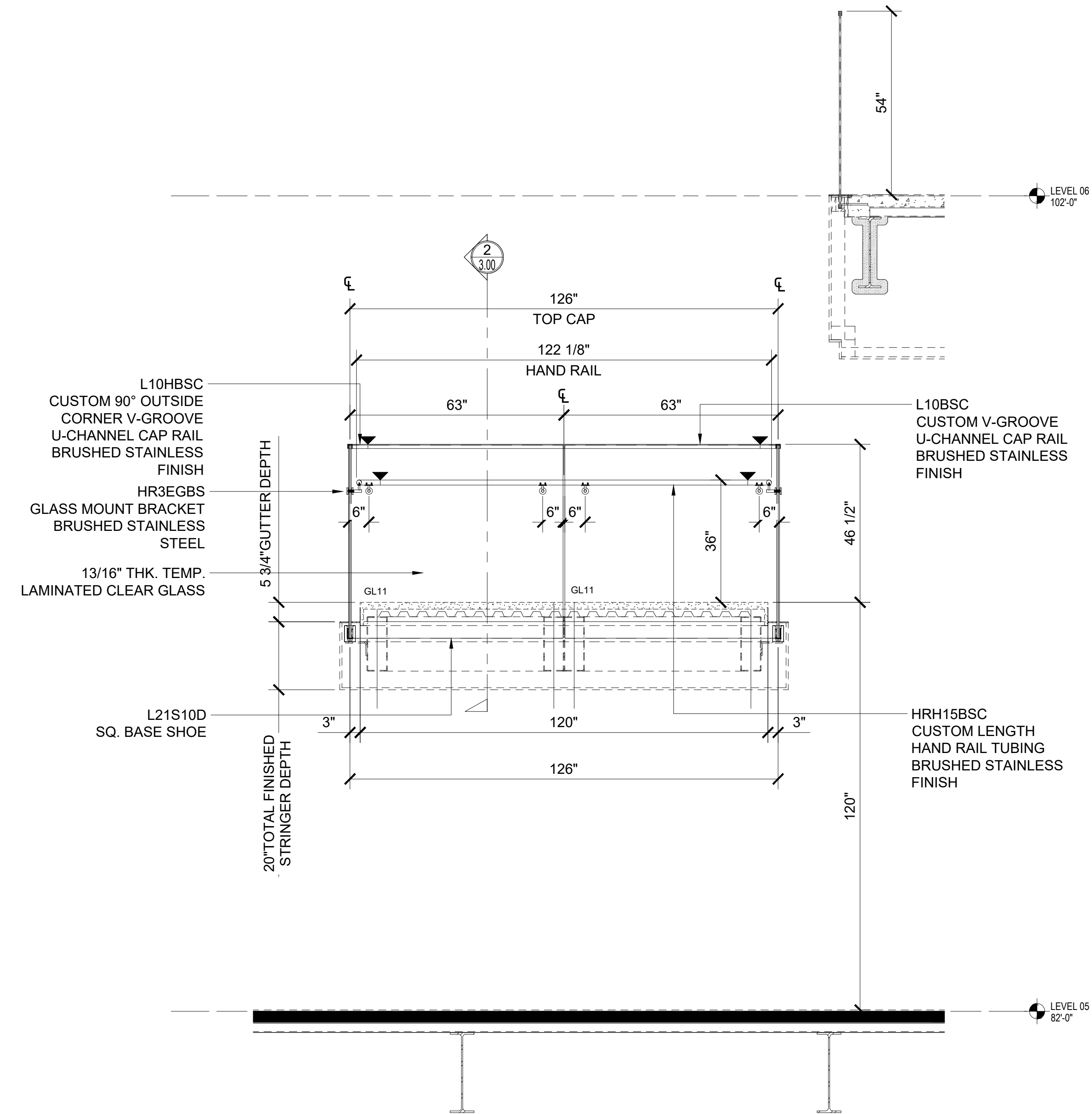
NOTE: TOP CAP AND CLADDING JOINTS DEPENDANT ON 120" STOCK LENGTH SPACING.



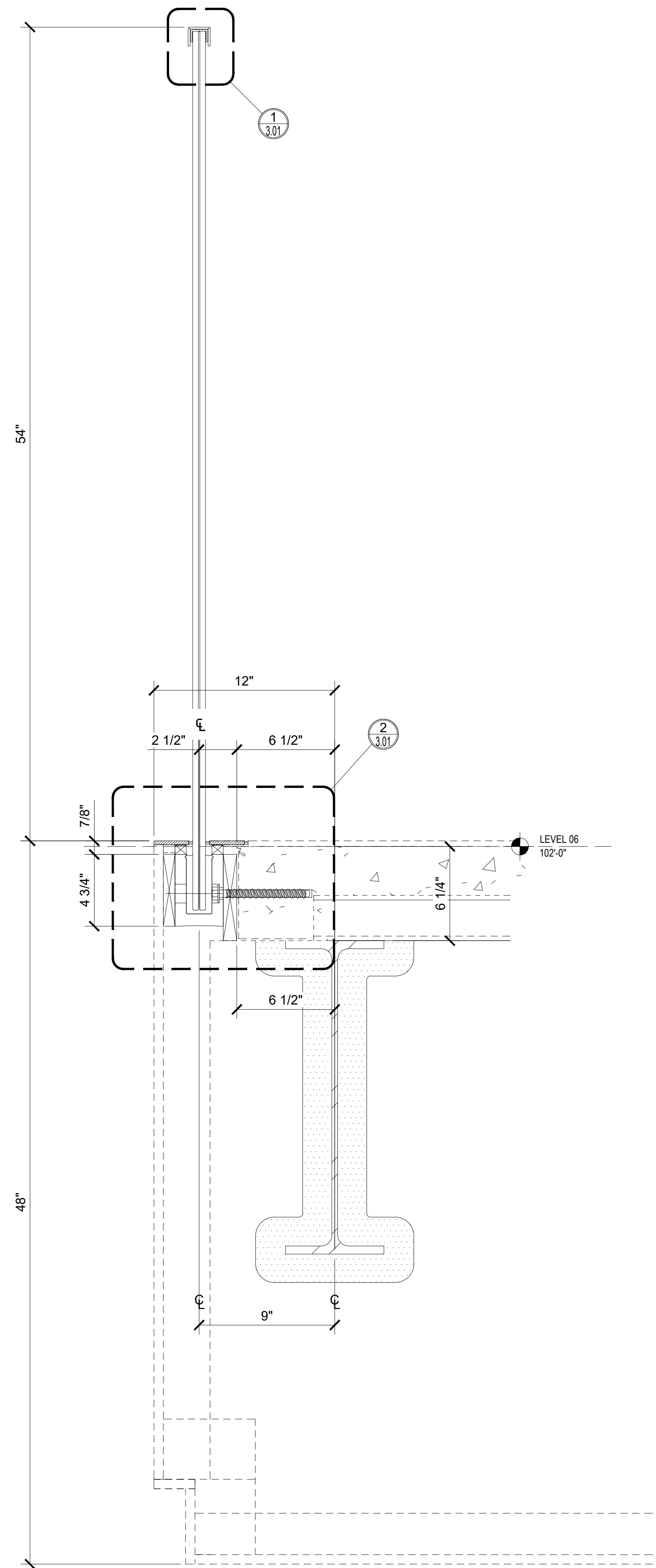
1 LIGHT COURT STAIR ELEVATION (3 THUS)  
 ARCH REF: 1/A7.2.03  
 1/2"=1'-0"



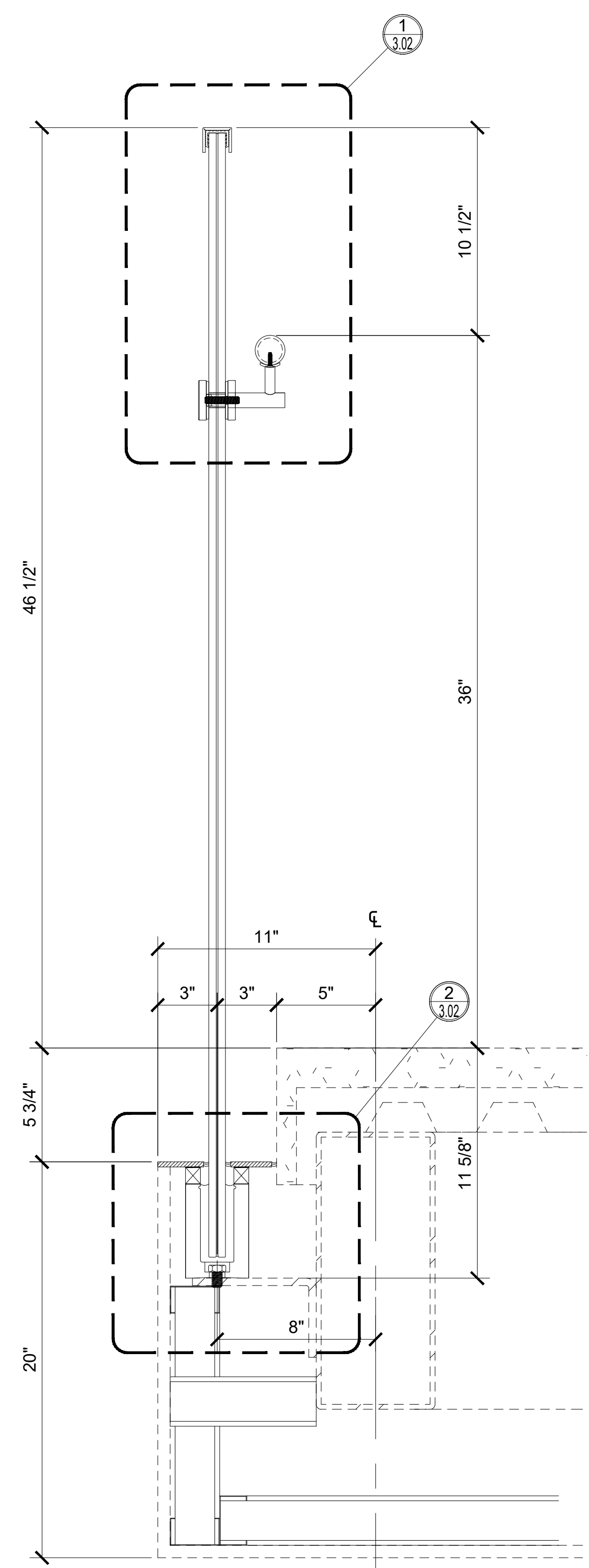
NOTE: TOP CAP AND CLADDING JOINTS DEPENDANT ON 120" STOCK LENGTH SPACING.



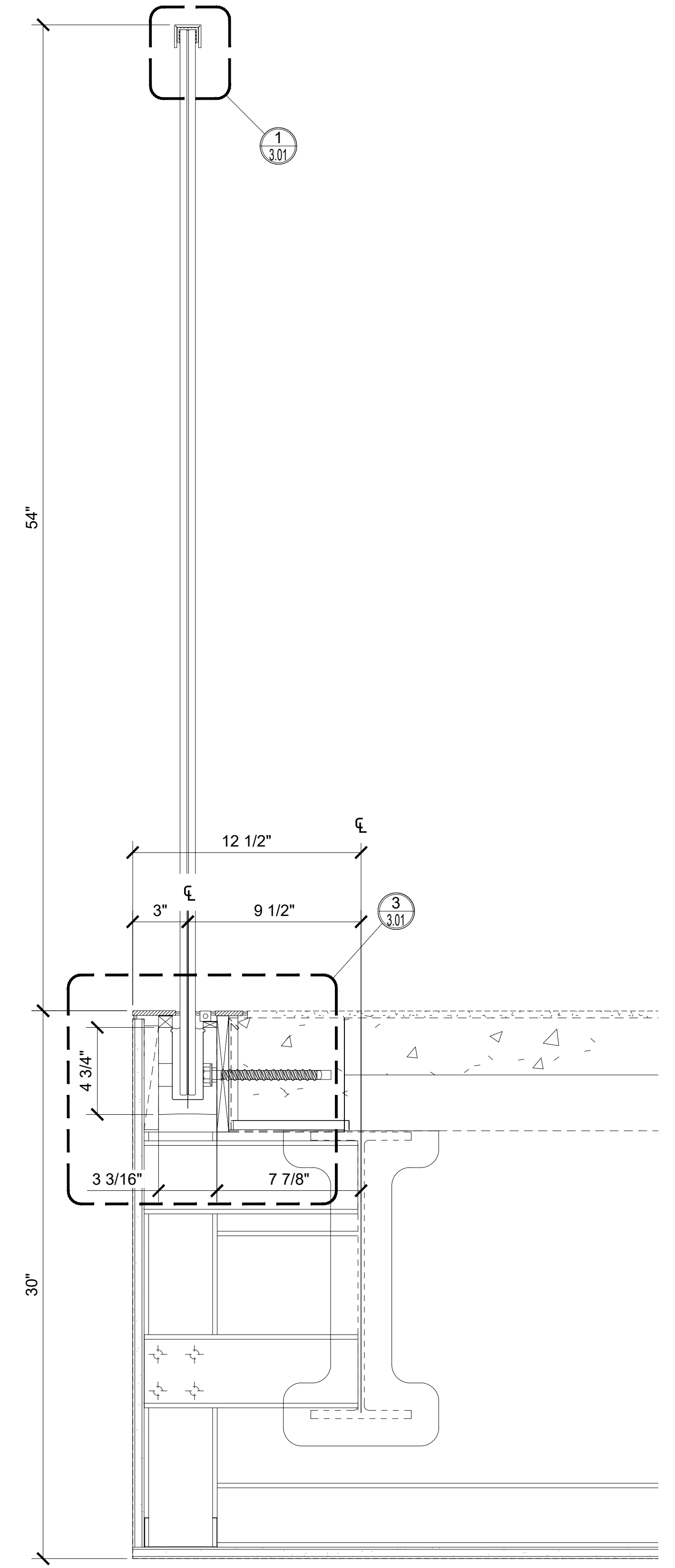
1 LIGHT COURT STAIR ELEVATION (3 THUS)  
ARCH REF: 31/A7.2.03 1/2"=1'-0"



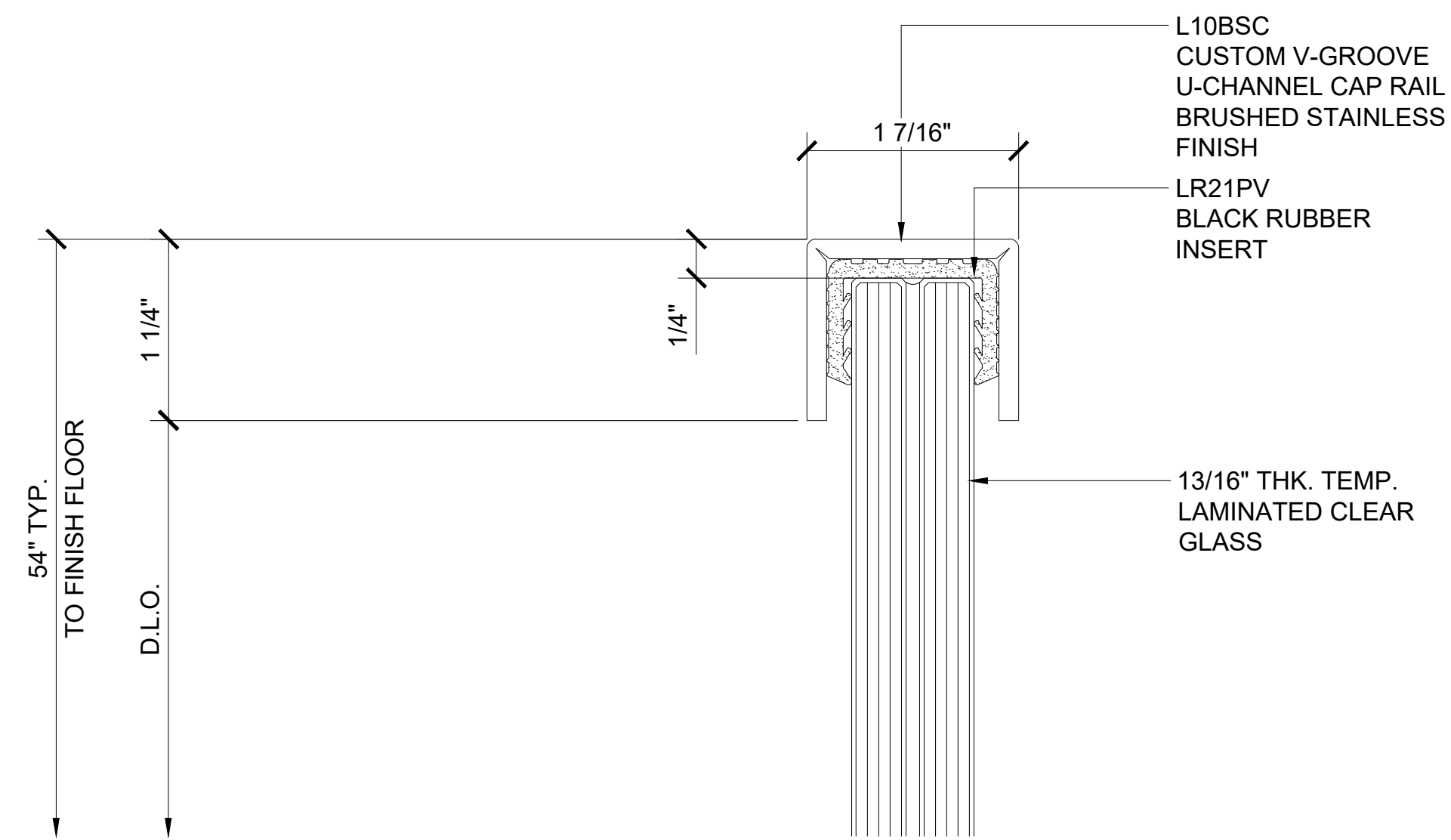
**1** GUARDRAIL SECTION @ LIGHT COURT STAIR  
 ARCH REF: 01/A7.2.04 1:5



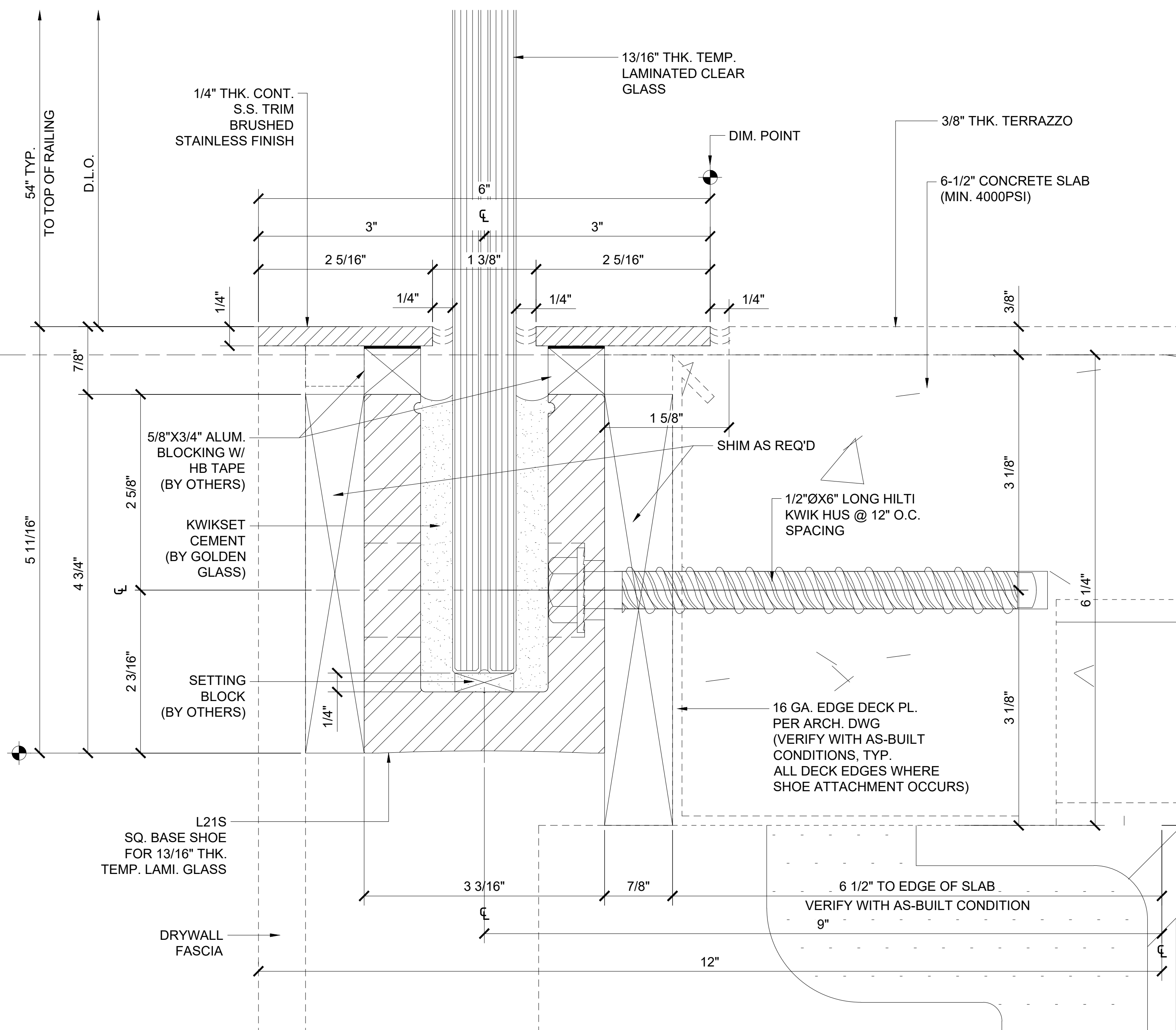
**2** HANDRAIL SECTION @ LIGHT COURT STAIR  
 ARCH REF: 03/A7.2.04 1:5



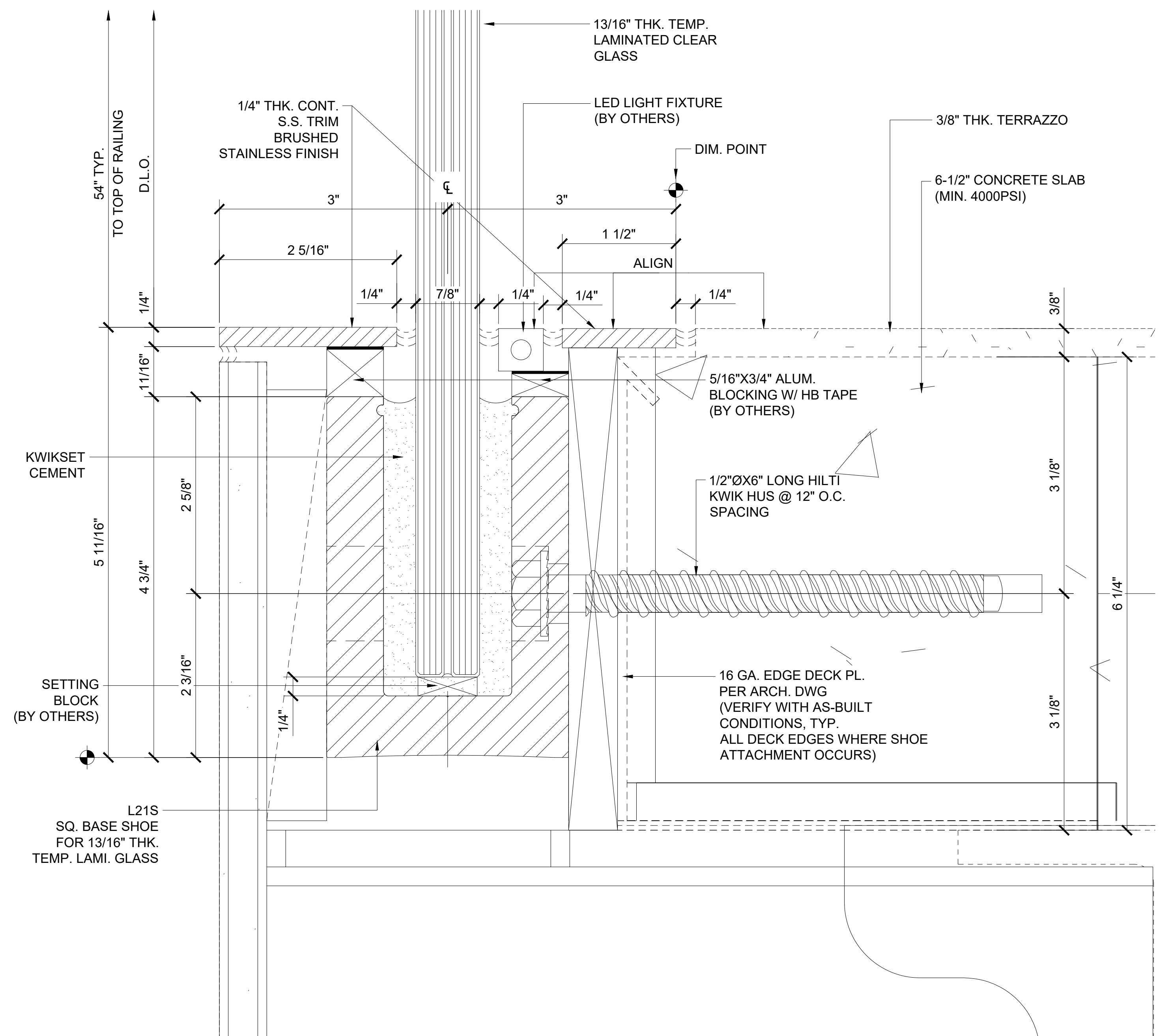
**3** GUARDRAIL SECTION @ ATRIUM BRIDGE  
 ARCH REF: 01/A9.1.20 1:5



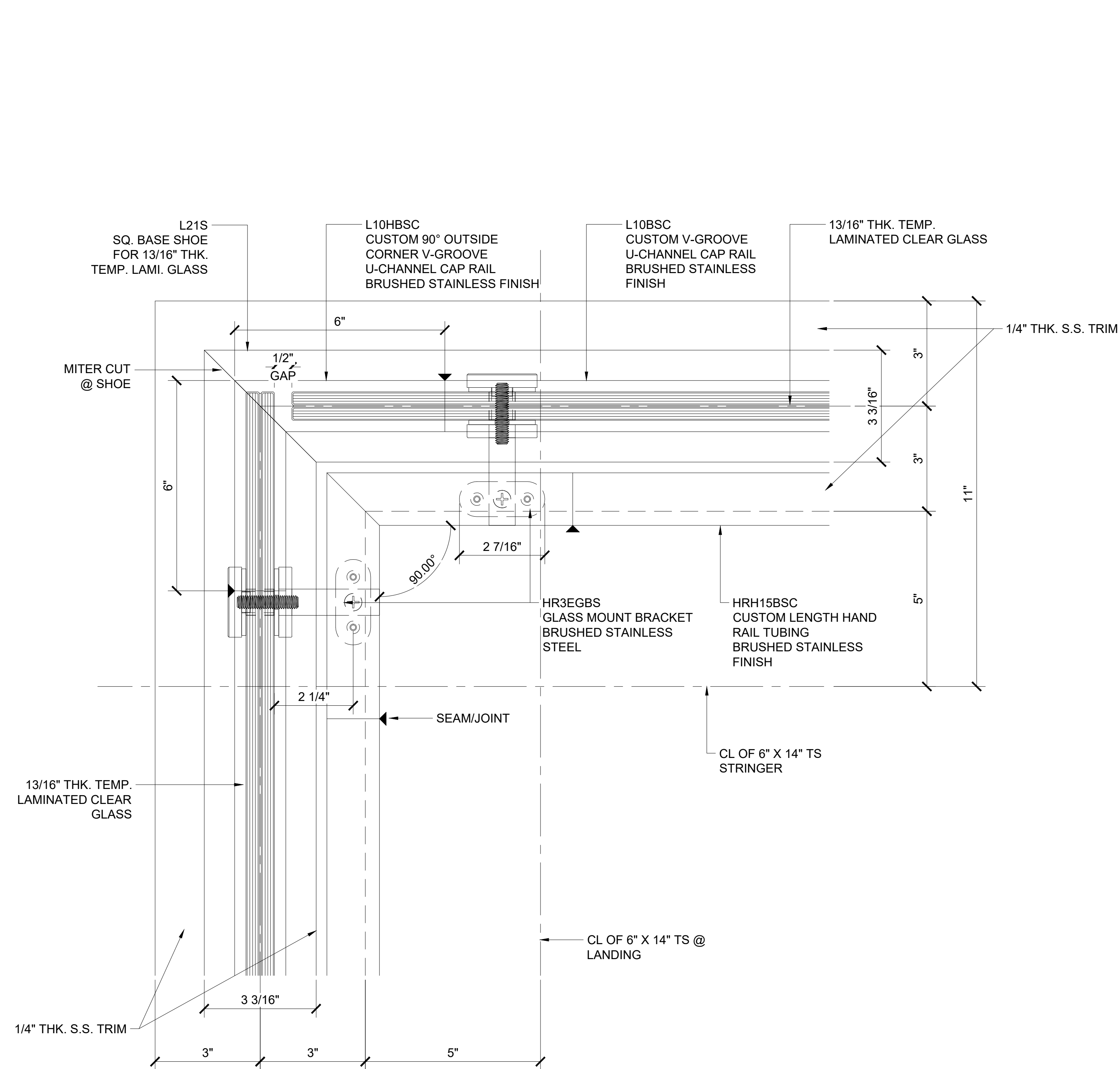
**1 TOP CAP DETAIL @ LIGHT COURT GUARDRAIL**  
 ARCH REF: N/A 1:1



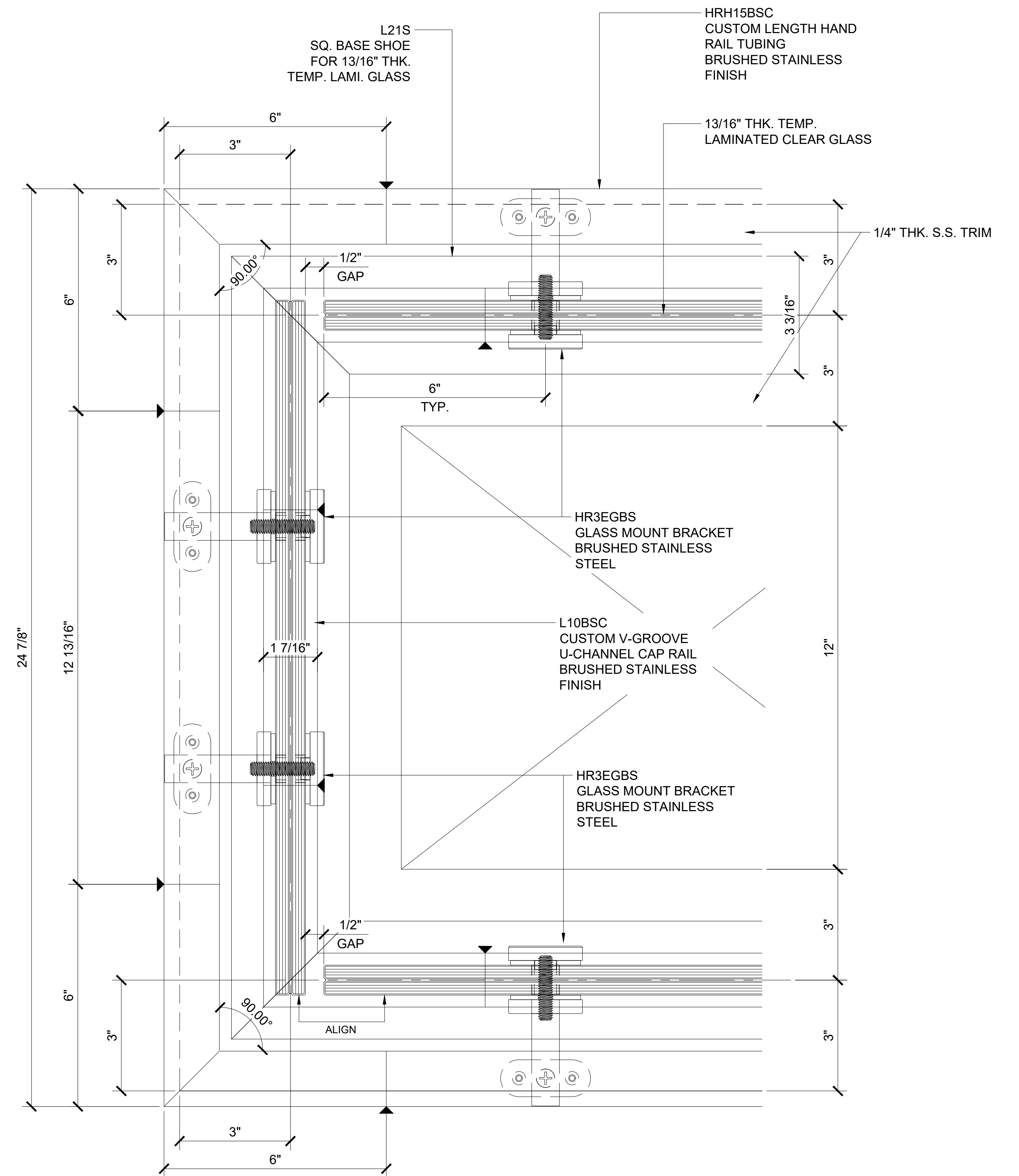
**2 BASE SHOE DETAIL @ LIGHT COURT GUARDRAIL**  
 ARCH REF: 01/A9.1.23 1:1



**3 BASE SHOE DETAIL @ ATRIUM BRIDGE**  
 ARCH REF: 01/A9.1.20 1:1



**1** 90° OUTSIDE CORNER DETAIL @ LIGHT COURT STAIR  
 ARCH REF: \_\_\_\_\_ 6"=1'-0"



**2** INSIDE CORNER LANDING DETAIL @ LIGHT COURT STAIR  
 ARCH REF: \_\_\_\_\_ 6"=1'-0"