

<bvk>



Cylinder Door Lock Datasheet

More than just locks. Find out why.

The Cylinder Door Lock has been designed for any type of door.

It is designed to be invisible from the outside, with the knob is on the inside of the door.

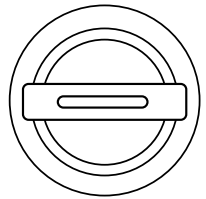
The lock is motorized and battery-powered. It is used with the Mobile App.

Discover more about the features and benefits of Cylinder Door Lock in this datasheet

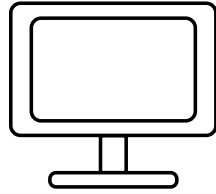
Features & benefits.....	4
Technical specifications.....	8
Top reasons to install Secure Latch.....	9



The Cylinder Door Lock consists of the following elements



Cylinder Door Lock



IoTservo



Mobile App

Centralised Scheduling & Management Application

Users, locks and schedules are centrally managed via the remote management application, IoTservo.

All access related events can be monitored in real-time.

Mobile App

The Cylinder Door Lock only opens if the user credentials and schedule have been validated.

If everything is correct, the user can request the One Time Code (OTC). The OTC is automatically generated by the central application and is sent directly to the lock via the Mobile App.

Features & Benefits

No physical keys

The inefficiencies, costs and security risks of handling and managing physical keys and tags are eliminated. Real-time One-Time-Codes (OTCs) are used to open the Cylinder Door Lock instead of physical keys.

Defends against unauthorised openings

The Cylinder Door Lock only unlocks once the schedule, lock and user credentials have been validated. If one of these parameters is not valid, the lock will not unlock.

Out of sight

The Cylinder Door Lock is designed to be invisible from the outside. It is installed so that the knob is on the inside of the door. There is no risk of the lock being damaged or vandalised from outside.



User-friendly Mobile App for OTC access

The lock is fast and easy to unlock via the Mobile App.

The OTC is sent directly to the Cylinder Door Lock via the Mobile App. All Mobile App communications are via encrypted Bluetooth. Each authorised user is registered in the system with their individual mobile phone IMEI and PIN. Mobile phone user access can instantly be added or removed remotely using the centralised management application. The Mobile App includes an OTC wallet which stores valid, upcoming, expired and used OTCs.



Centralised scheduling & remote management

Lock access schedules for service personnel are created and approved centrally. An access schedule is created for each user or group of users which defines the access hours and days, according to their permissions. In some circumstances, access for a user can be instantly removed, even if access has been pre-approved for that user.

Third party secure access to scheduling and management system

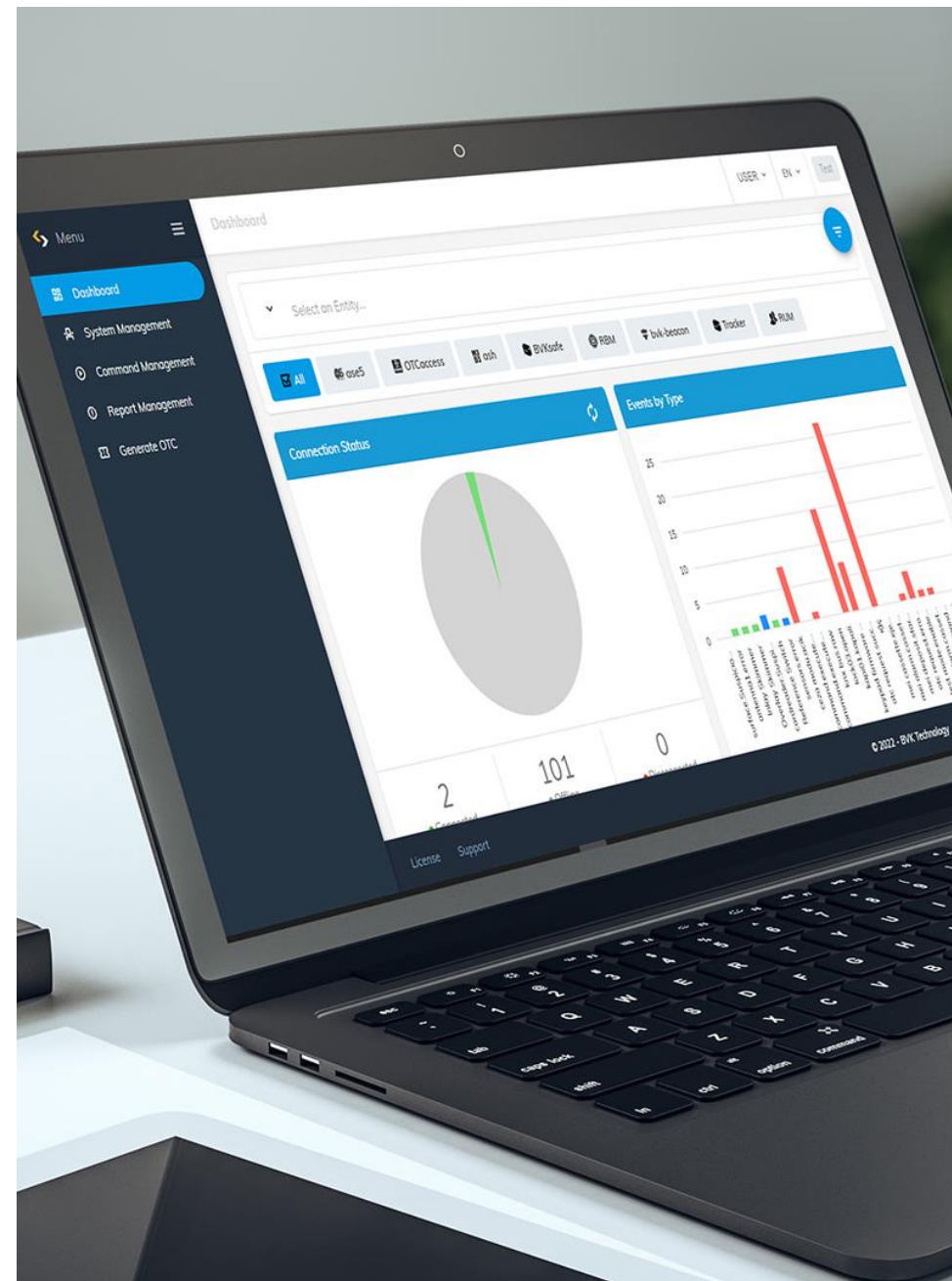
If required, shared access partners can be granted access to all or part of the management application, according to their permissions. This results in cost savings and improved efficiency. When there is a change of partner or partner's personnel, there is no time-consuming need for 'vendor meets' to manually 'shelve' a lock on-site.

Audit trail

The timings of open and close events and user credentials are automatically sent to the central management application and stored for auditing purposes if the Mobile App is used. Manual download is also possible.

Alert notification and escalation

Business rules can be defined and alerts generated if there is unusual activity. For example, if the lock remains unlocked for a longer than defined period of time. These alerts can be sent directly to the security company, for example, via email or SMS.



Convenience in innovation

Cylinder Door Lock, world's smallest motorized cylinder enables carrying your door to the future of smart houses.

Power back-up option

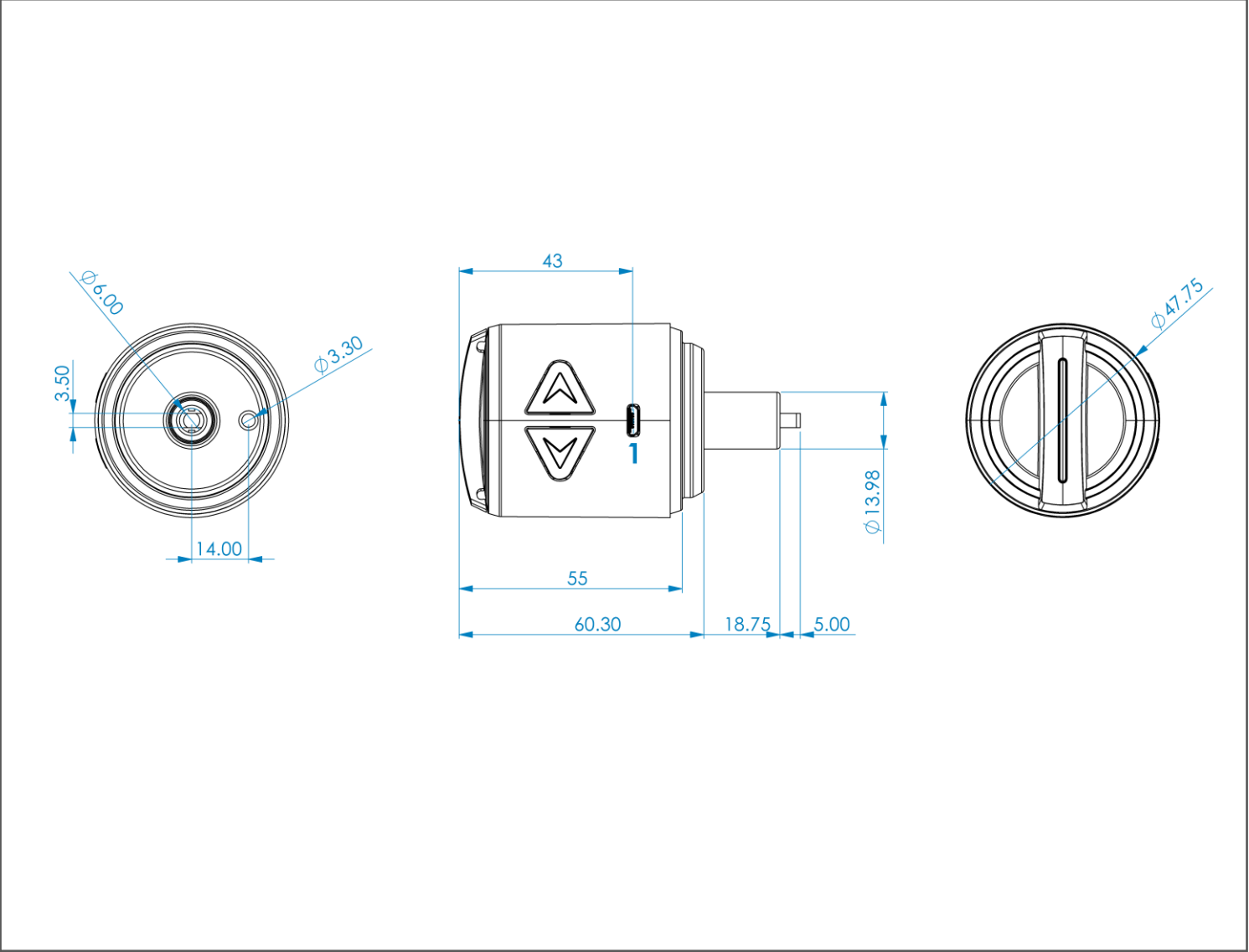
The Cylinder Door Lock is battery-powered. As a power back-up, the lock has a USB snap which can be used with a power bank.

Reduced carbon footprint

Since there is no need to collect keys from key centres and return them, fuel costs relating to travelling are eliminated.



Technical Specification

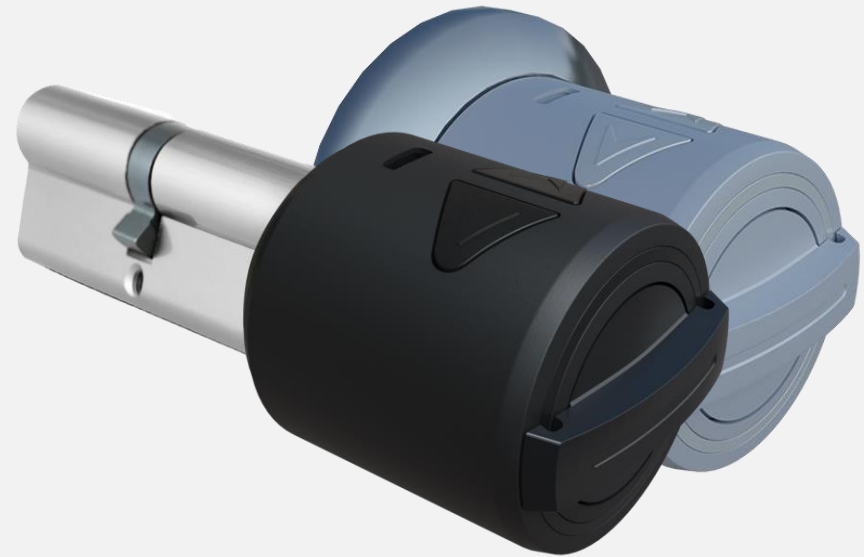


Features

Communication	Bluetooth
Working Temperature	-10°C to +60°C
Material	ABS, zinc alloy, PC/PA
Internal battery	Rechargeable lithium battery
Compatibility	Any cylinder door

Top Reasons to install Cylinder Door Lock

1. Perfect for any door
2. No physical keys. Secure OTCs
3. Remote management of users and locks
4. User-friendly access via Mobile App
5. Invisible from the outside; no risk of vandalism
6. Audit trail and event based alerts



BVK Key-less lock solutions

All managed and controlled by BVK's centralised management application, IoTservo

