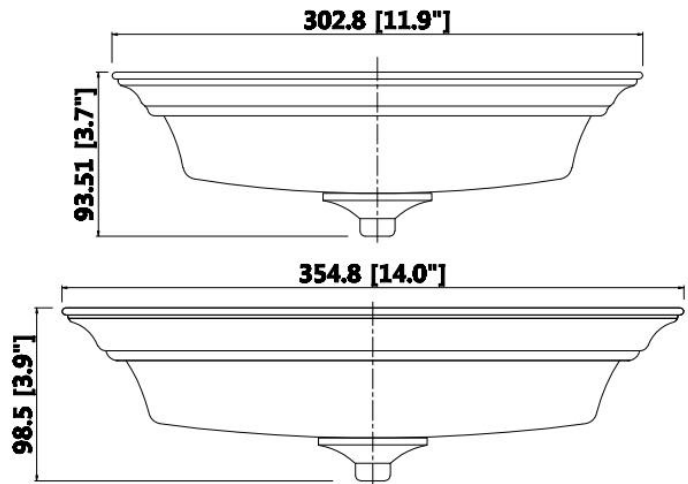


12"/14" Glass Ceiling Light Flush Mount with LED 15W/20W/ 25W



Specification

Driver on Board LED light Engines

Model Number	Photo	Size	Watts
GL-MZ1501		195mm/7.68 in	15W
GL-MZ2001		215mm/8.46 in	20W
GL-MZ2501		255mm/10.04 in	25W

120V input, 50/60Hz, PF>0.9, Damp Location

Color Temperature: 2700K, 3000K, 3500K, 4000K, 5000K, adjustable;

CRI 80, 90 lm/W, Triac dimming of 100%-10%

Ambient temperature: -20°C to 45°C

5 years limited warranty



ORB finish

ORB Finish



BN finish

BN Finish

Order code	Size	Watts	Lumen
GLCLSGP1215	D302.8mm/11.9 in x H93.5mm/3.7 in	15W	1150
GLCLSGP1220	D302.8mm/11.9 in x H93.5mm/3.7 in	20W	1500
GLCLSGP1415	D354.8mm/14.0 in x H98.5mm/3.9 in	15W	1150
GLCLSGP1420	D354.8mm/14.0 in x H98.5mm/3.9 in	20W	1500
GLCLSGP1425	D354.8mm/14.0 in x H98.5mm/3.9 in	25W	1850