



Canada GL Lighting Technology Inc.

7351 Victoria Park Ave, Unit 3, Markham, ON, Canada, L3R 3A5
T: 905-604-1000 | F: 1-866-756-3987 | sales@gl-light.ca | www.gl-light.ca

GL 40/60W LED Wall Pack Lighting



Photoelectric Switch

Features

- ETL certified to U.S. and Canadian standards. DLC qualified product.
- Sealed die-casted profile for indoor and outdoor applications.
- Suitable for Canadian full voltage design LED driver: 120-347Vac.
- CCT: 3000K, 4000K, 5000K optional.
- Comes in a standard dark bronze finish to match any area. IP65 Suitable for wet locations.
- 40W/60W, 120lm/W, 0-10V dimming.
- Dusk to Dawn Sensor Photoelectric Switch - sold separately

Application

This LED Wall pack is ideal for outdoor applications, including landscapes, residential, commercial and retail complexes, alleys, loading docks, pathways, entrances and parking areas.

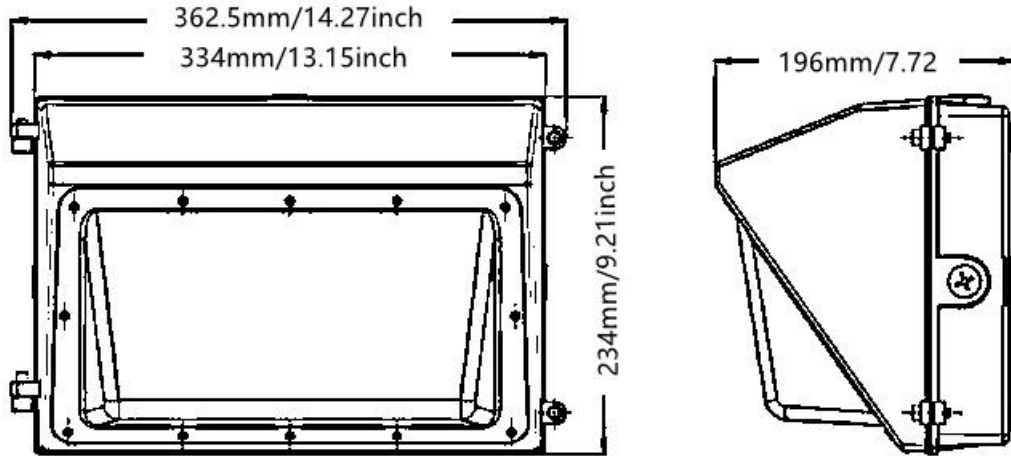
Also great for public buildings, including hospitals, universities and schools.



Canada GL Lighting Technology Inc.

7351 Victoria Park Ave, Unit 3, Markham, ON, Canada, L3R 3A5
T: 905-604-1000 | F: 1-866-756-3987 | sales@gl-light.ca | www.gl-light.ca

Dimension



Order Code:

GL-WP	XXWH	CCT	Photoelectric Switch
	40W	4000K:40	Blank (no Photoelectric Switch)
	60W	5000K:50	PS (with Photoelectric Switch)

For example: GL-WP-60WH-50 PS