



# Canada GL Lighting Technology Inc.

7351 Victoria Park Ave, Unit 3, Markham, ON, Canada, L3R 3A5  
T: 905-604-1000 | F: 1-866-756-3987 | [sales@gl-light.ca](mailto:sales@gl-light.ca) | [www.gl-light.ca](http://www.gl-light.ca)

---

## GL 80W LED Cut-off Wall Pack Lighting(Adjustable CCT)

GL-WP-80WCH-MC



### Features

- ETL certified to U.S.and Canadian standards. DLC qualified product.
- Sealed die-casted profile for indoor and outdoor applications.
- Suitable for Canadian full voltage design LED driver: 120-347Vac.
- Adjustable multi color temperature:3000K,3500K,4000K,5000K and 5700K.
- Comes in a standard dark bronze finish to match any area. IP65 Suitable for wet locations.
- 80W,120lm/W,0-10V dimming.
- Dusk to Dawn Sensor Photoelectric Switch - sold separately

### Application

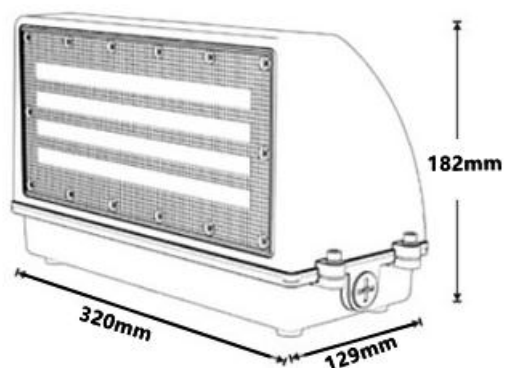
This LED Wall pack is ideal for outdoor applications, including landscapes, residential, commercial and retail complexes, alleys, loading docks, pathways, entrances and parking areas. Also great for public buildings, including hospitals, universities and schools.



# Canada GL Lighting Technology Inc.

7351 Victoria Park Ave, Unit 3, Markham, ON, Canada, L3R 3A5  
T: 905-604-1000 | F: 1-866-756-3987 | [sales@gl-light.ca](mailto:sales@gl-light.ca) | [www.gl-light.ca](http://www.gl-light.ca)

## Dimension



## Adjustable CCT

PIN 1	PIN 2	PIN 3	CCT
OFF	OFF	OFF	3000K
OFF	<b>ON</b>	OFF	3500K
OFF	OFF	<b>ON</b>	4000K
<b>ON</b>	<b>ON</b>	OFF	5000K
<b>ON</b>	<b>ON</b>	<b>ON</b>	5700K



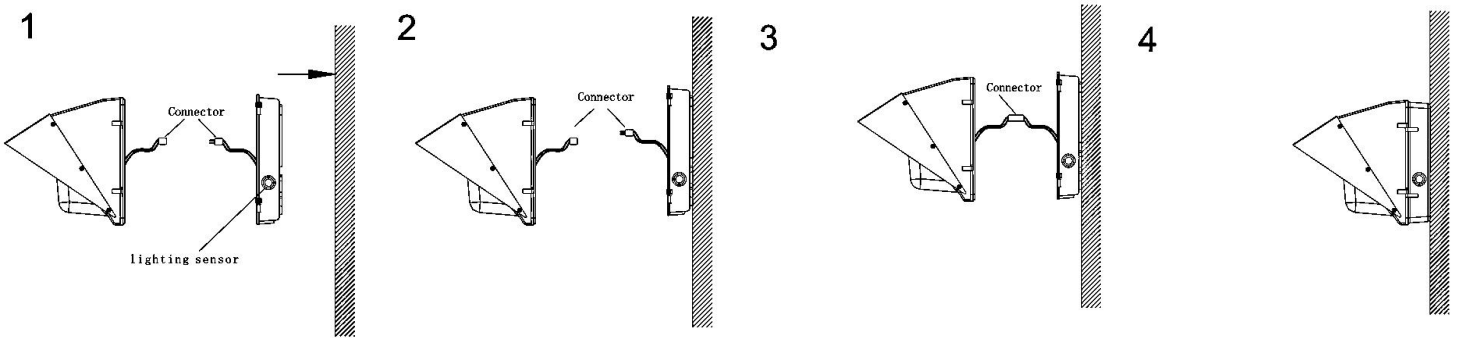


# Canada GL Lighting Technology Inc.

7351 Victoria Park Ave, Unit 3, Markham, ON, Canada, L3R 3A5  
T: 905-604-1000 | F: 1-866-756-3987 | [sales@gl-light.ca](mailto:sales@gl-light.ca) | [www.gl-light.ca](http://www.gl-light.ca)

## GL Wall Pack Fixture Installation Guide

- Warning:**
1. Ensure power is off before starting installation, wiring or servicing.
  2. Installation should only be performed by qualified electrician.
  3. The mounted surface should have enough strength to endure the weight of fixture.
  4. This fixture is for outdoor use and should not be operated in areas with limited ventilation or high ambient temperature.
  5. Double check your power source to make sure the supply voltage is compatible with the unit. 120Vac-347Vac or 480Vac.



### Order Code:

GL-WP-80WCH-MC

Blank (no Photoelectric Switch)

PS (with Photoelectric Switch)