

LED LUMINAIRE

20W/50W LED Flood Fixtrue Light

70W/100W/200W/300W LED Flood Fixtrue Light (120V/120-347V)

LED Wall Pack Lighting (Adjustable CCT) (120-347V)

50W Mini LED Area Light

150W/180W/200W/220W Shoebox LED Area Light/Parking Lot Light(120-347V)

150W/180W/200W LED UFO High Bay(120V-277/120-347V)

40W/60W/80W Canopy Lighting(120-347V)

3"-7W/4"-12W LED Gimbal Recessed Downlight

1'-5W/2'-9W/3'-13W/4'-18W T5 Integrated Light Fixture

LED Puck Light for Under Cabinet

12"/14"Glass Ceiling Light Flush Mount with LED 5CCT 15W/20W/25W Panel

14" PC Cover Ceiling Light Flush Mount with LED 15W/20W/25W Panel

LED BULB

E26/GU10/GU5.3 Base PAR16 5W Bulb

PAR20 E26 Base 6W Bulb

PAR30 E26 Base 10W Bulb

PAR38 E26 Base 22W Bulb

LIGHTING ACCESSORIES

Dusk to Dawn Light Photocell Sensor Switch

Motion Sensor

LED Driver Power Supply

LED Emergency Driver

Knuckle Slip Fitter and Adaptor for Parking lot/Area/Flood Lights

Wire Junction Box

20W/50W LED FLOOD FIXTURE LIGHT

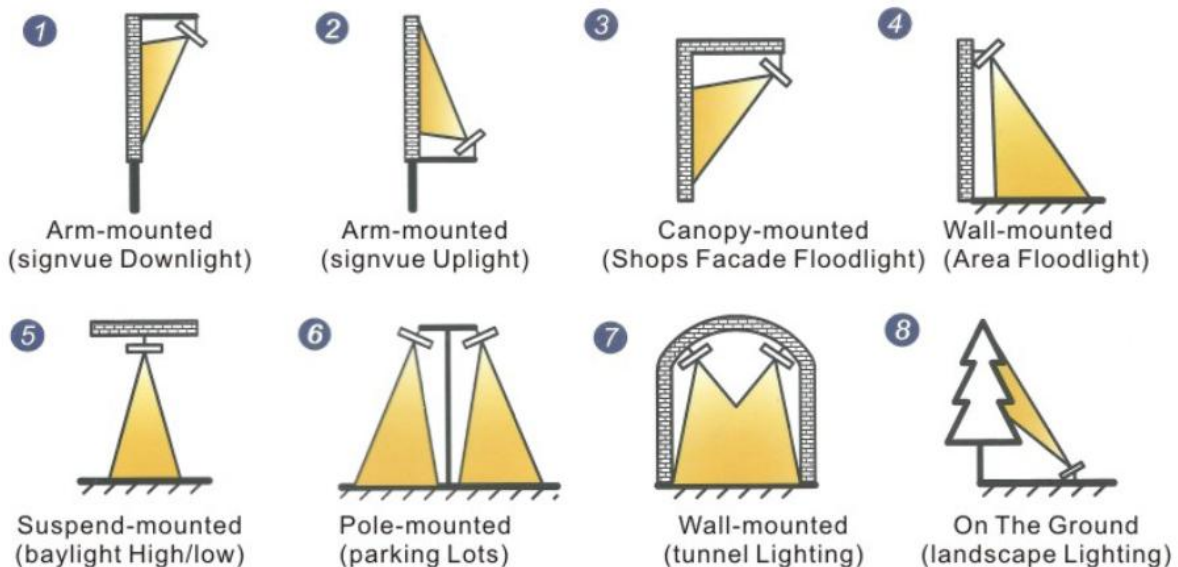


Specification

- This product range includes: 20W and 50W
- IP66 rated, suitable for wet locations.
- Temperature rated at -30° to 50°C .
- CRI>80, CCT: optional 3000K,4000K & 5000K.
- Operating voltage:120-277VAC
- Die casting aluminum+Glass, Warranty for 3 years

Order Code	Watts	Size (mm)	CCT (XX)	Lumens
GLFLD-20W-XX	20W	142*179*48	3000K(30)/4000K(40)	2400LM
GLFLD-50W-XX	50W	283*250*65		5000K(50)

Application scenarios



70W/100W/200W/300W LED FLOOD FIXTURE LIGHTING



Specification

- This product range includes: 70W, 100W, 150W, 200W and 300W.
- IP65 rated, suitable for wet locations.
- Temperature rated at -40° to 50°C.
- CRI > 80, CCT: optional(XX) 3000K(30), 4000K(40) & 5000K(50) .
- Operating voltage: optional(X) 120-277VAC(1)/347VAC(H)
- Die casting aluminum + Glass, Warranty for 5 years

Order Code	Watts	Size (mm)	Lumens
GLFLD-70W-XX-X	70W	285*238*68	7000LM
GLFLD-100W-XX-X	100W	345*300*85	10000LM
GLFLD-150W-XX-X	150W	415*345*111	18000LM
GLFLD-200W-XX-X	200W	415*345*111	22000LM
GLFLD-300W-XX-X	300W	495*425*118	31000LM

Optional accessories

Slip fitter



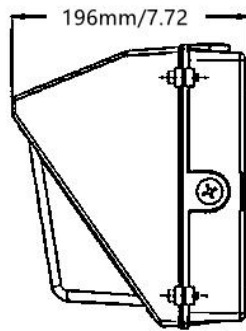
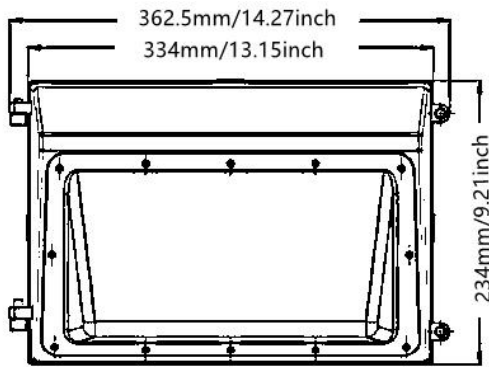
Photocell sensor



Motion sensor



GL 90W LED Wall Pack Lighting(Adjustable CCT)



Specification

- Sealed die-casted profile for indoor and outdoor applications.
- Suitable for Canadian full voltage design LED driver: 120-347Vac.
- Adjustable multi color temperature:3000K,3500K,4000K,5000K and 5700K.
- Comes in a standard dark bronze finish to match any area.
- IP65 Suitable for wet locations.
- 90W,120lm/W,0-10V dimming.
- Dusk to Dawn Sensor Photoelectric Switch - sold separately
- Die casting aluminum+PC, Warranty for 3 years



Adjustable CCT

PIN 1	PIN 2	PIN 3	CCT
OFF	OFF	OFF	3000K
OFF	ON	OFF	3500K
OFF	OFF	ON	4000K
ON	ON	OFF	5000K
ON	ON	ON	5700K



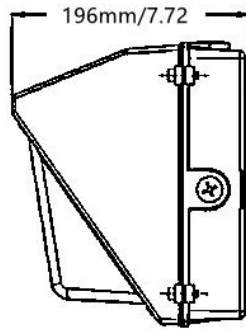
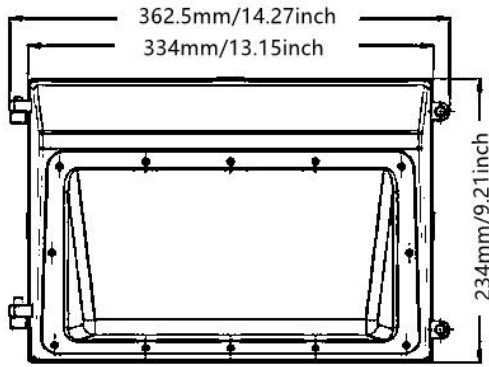
Order Code

GL-WPR-90H-MC

Blank (no Photoelectric Switch)

PS (with Photoelectric Switch)

GL 40/60W/90W LED Wall Pack Lighting



Specification

- Sealed die-casted profile for indoor and outdoor applications.
- Suitable for Canadian full voltage design LED driver: **120-347Vac**.
- CCT(**XX**):3000K(30),4000K(40),5500K(55) optional.
- Comes in a standard dark bronze finish to match any area.
- IP65 Suitable for wet locations.
- 40W/60W/90W,120lm/W,0-10V dimming.
- Dusk to Dawn Sensor Photoelectric Switch - sold separately
- Die casting aluminum+PC,Warranty for 3 years



Order Code

GL-WPR-XXWH-XX-XX

GL-WPR	XXWH	CCT(XX)	Photoelectric Switch
	40W	3000K:30	Blank (no Photoelectric Switch)
	60W	4000K:40	PS (with Photoelectric Switch)
	90W	5500K:55	

For example: GL-WPR-60WH-55 PS

GL 50W Mini LED Area Light

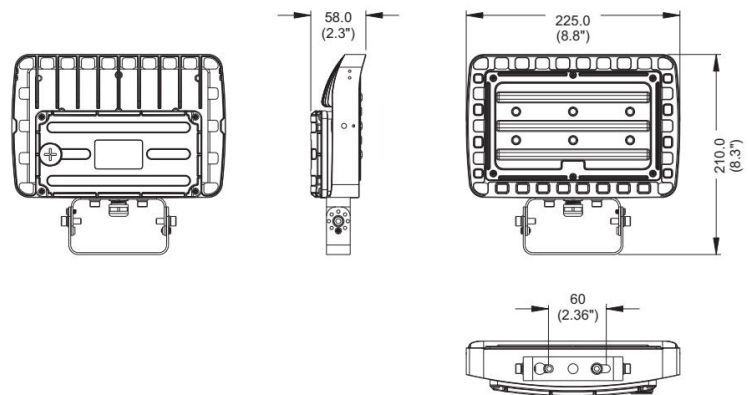


Specification

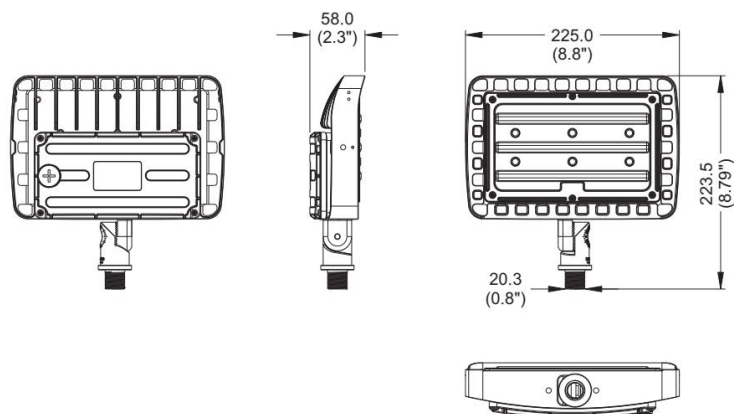
- This product: 50W
- IP66 rated, suitable for outdoor wet locations.
- Temperature rated at -40° to 50°C .
- CRI > 80, CCT: optional 3000K, 4000K & 5000K. Lumens: 6500LM
- Operating voltage: 120-277VAC, Dimming: 0-10V
- Die casting aluminum + PC, Warranty for 5 years

Product Size(mm/in) and 3 different mounting brackets

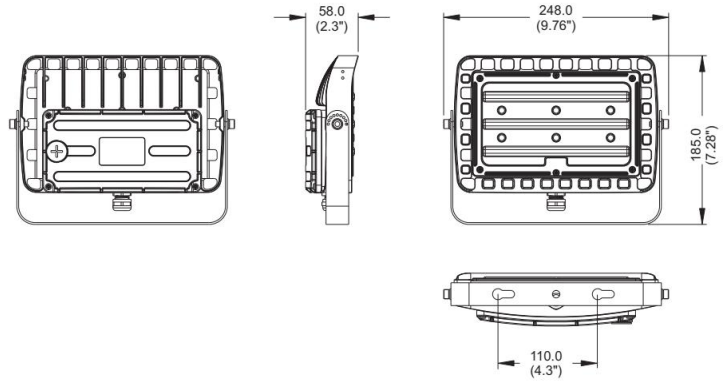
Trunnion Mount



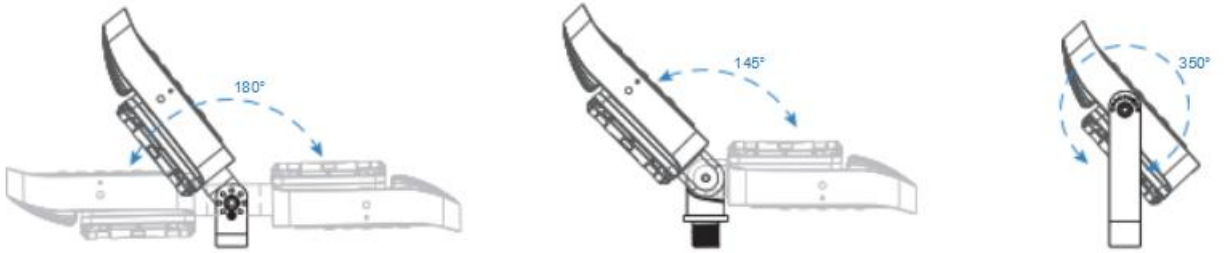
Knuckle mount



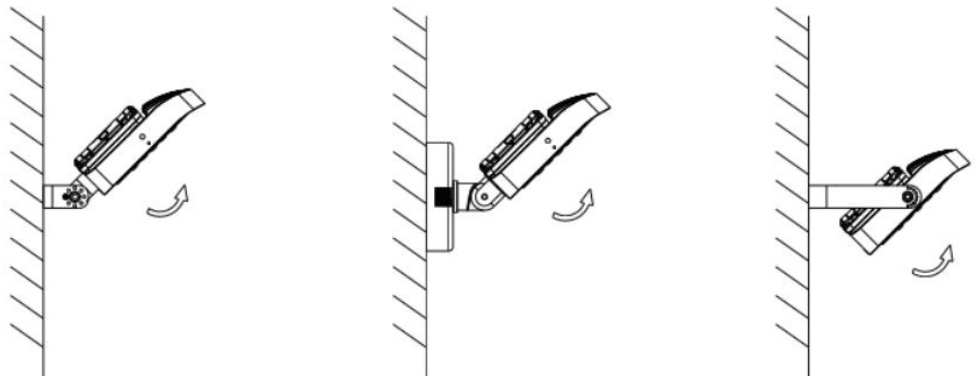
U Bracket



Bracket angel adjustable



Installation



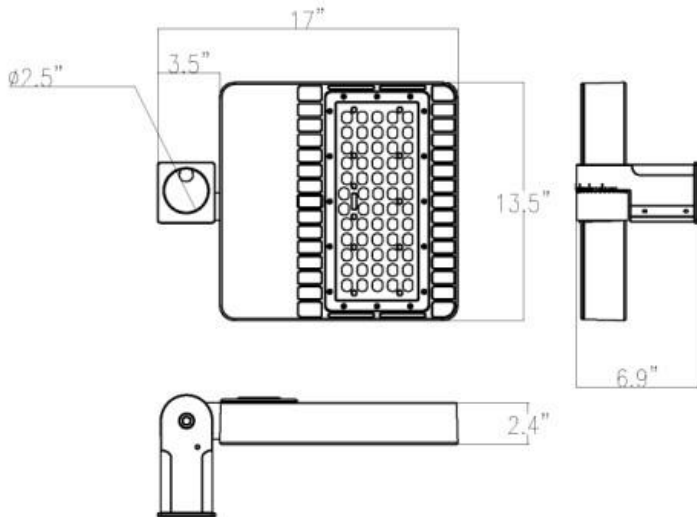
Order Code	Watts	CCT (XX)	Bracket
GL FL225-50W-XX	50W	3000K:30	T
		4000K:40	K
		5000K:50	U

Example:

GL FL225-50W-40-U

GL 150W/180W/200W/220W adjustable,120-347V

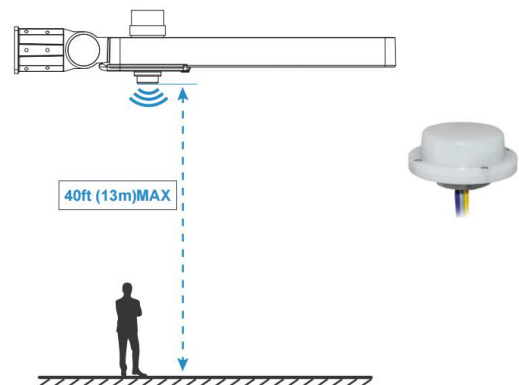
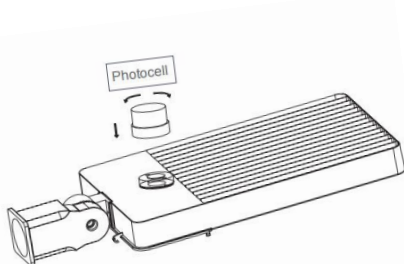
Shoebox LED Area Light/Parking Lot Light



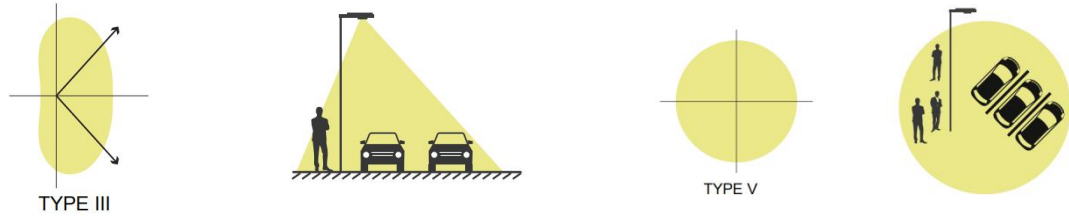
Specification

- 0-10V Dimming, Motion sensor & Daynight sensor,optional.
- Material: Aluminum alloy + PC optics lens
- CCT:4000K/5000K; Lumen Efficacy:140LM/W;CRI:Ra≥70
- Finish color: dark bronze
- Working Temperature:-40°F ~122°F (-35°C- 50°C)
- Lifespan:>54000 hours
- AC120-AC347V
- Die casting aluminum+PC, Warranty for 5 years

Twist Lock Photocell Sensor(PS) and Microwave Sensor(MS) Optional

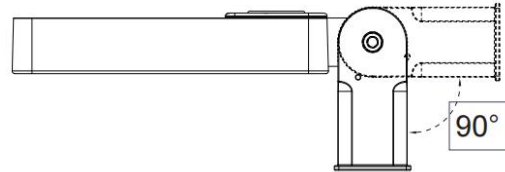
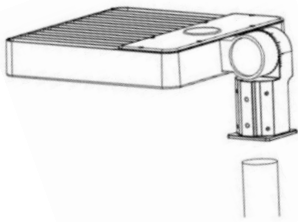


Beam Angle



Mount Bracket

Bracket Angle 180° Adjustable



Slip Fitter Adapter Transform The Slip Fitter into Arm Mounting

Round Pole Side Tenon Adapter (RA)

Square Pole Side Tenon Adapter(SA)



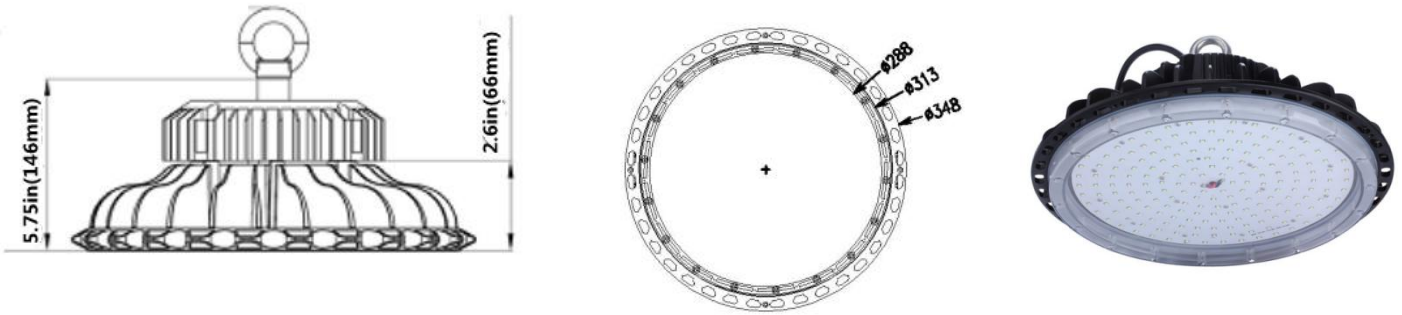
Ordering Information

Model	Wattage Adjustable (l)	CCT	Lens	Sensor	Mount
GL-PL345	150W(1.15A)	4000K:40	T4	NO:Blank	Slip fitter : O
	180W(1.30A)		T5	Photocell: PS	Square pole : SA
	200W(1.45A)	5000K:50		Motion: MS	Round pole : RA
	220W(1.60A)			PS+MS:PM	

Example:

GL-PL345-M220/180W-50-T4-PS-O

GL 150W/200W LED UFO High Bay D(120V-277)

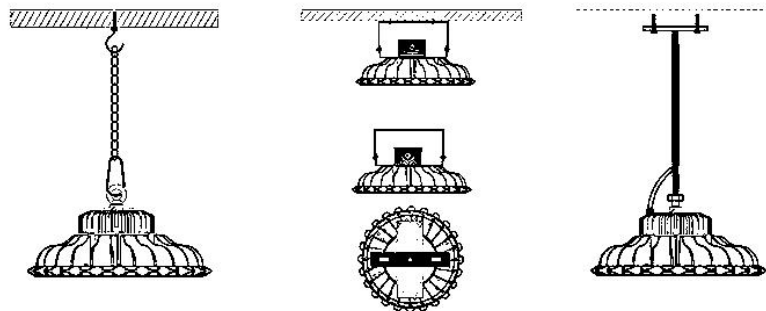


Specification

- Operating voltage:120-277VAC
- 150W/200W,Luminous efficacy: 130lm/W
- Suitable for indoor damp locations. 0-10V Dimming, Motion sensor optional
- Temperature rated at -20° to 50°C.
- CRI>80, CCT: optional(**XX**) 4000K(40) / 5000K(50) .
- Die casting aluminum+PC, Warranty for 5 years

Installation

Using hook, bracket, or pendant for install.



Microwave Sensor(MS)



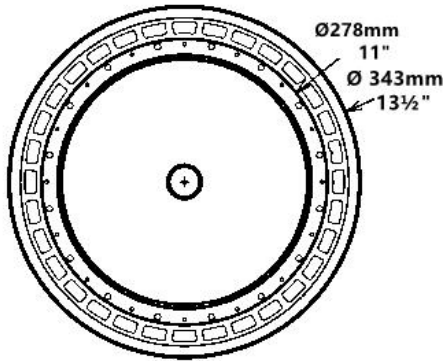
Order Code

GL-HBD-XXW-XX-XX-X

GL-HBD	XXXW	CCT(XX)	Microwave Sensor	Bracket
	150W	4000K:40	Blank (no Microwave Sensor)	
	200W	5000K:50	MS (with Microwave Sensor)	

Example: GL-HBD-150W-40-MS-B

GL 150W/180W/200W adjustable, 120-347V , LED UFO High Bay D



Specification

- Operating voltage:120-347VAC
- 150W/180W/200W adjustable,Luminous efficacy: 135lm/W
- Suitable for indoor damp locations.
- 0-10V Dimming, Motion sensor optional
- Temperature rated at -20° to 50°C.
- CRI>80, CCT: optional(**XX**) 4000K(40) / 5000K(50) .
- Die casting aluminum+PC, Warranty for 5 years



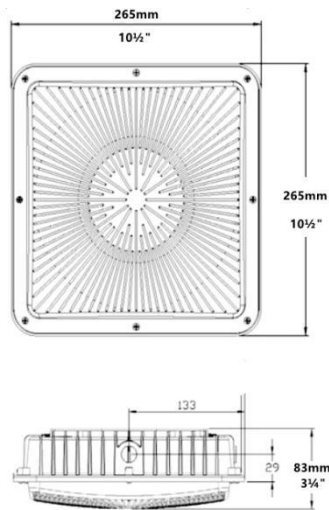
Order Code

GL-HBDH-XXW-XX-XXB

GL-HBDH	XXXW	CCT(XX)	Microwave Sensor
	150W	4000K:40	Blank (no Microwave Sensor)
	180W	5000K:50	MS (with Microwave Sensor)
	200W		

Example: GL-HBDH-150W-40-MSB

GL 40W/60W/80W LED Canopy Lighting, 120-347V



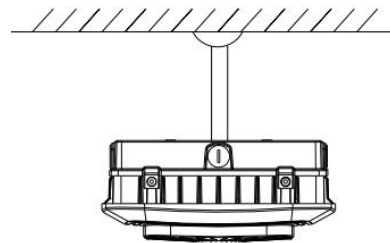
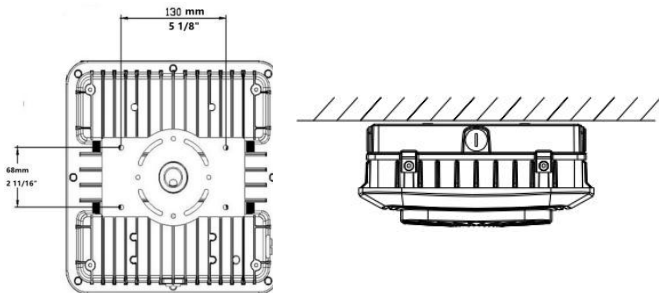
Specification

- Operating voltage:120-347VAC
- 40W/60W/80W ,Luminous efficacy: 135lm/W
- Suitable for indoor damp locations.0-10V Dimming, Motion sensor optional
- Temperature rated at -20° to 50°C.
- CRI>80, CCT: optional(**XX**) 3000K(30)/4000K(40) / 5000K(50) .
- Die casting aluminum+PC Cover, Warranty for 5 years

Installation

Ceiling Mounting

Pendant Mounting



Order Code **GL-CPRH-XXW-XX-XX**

GL-CPRH	XXW	CCT(XX)	Microwave Sensor
	40W	3000K:30	Blank (no Microwave Sensor)
	60W	4000K:40	MS (with Microwave Sensor)
	80W	5000K:50	

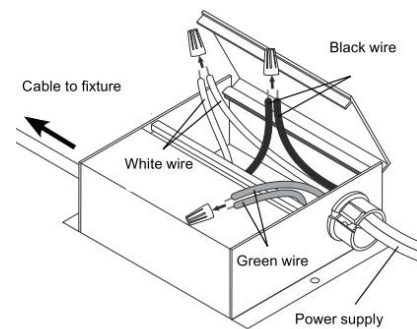
Example: GL-CPRH-40W-40

3"-7W/4"-12W LED Gimbal Recessed Downlight



Feature

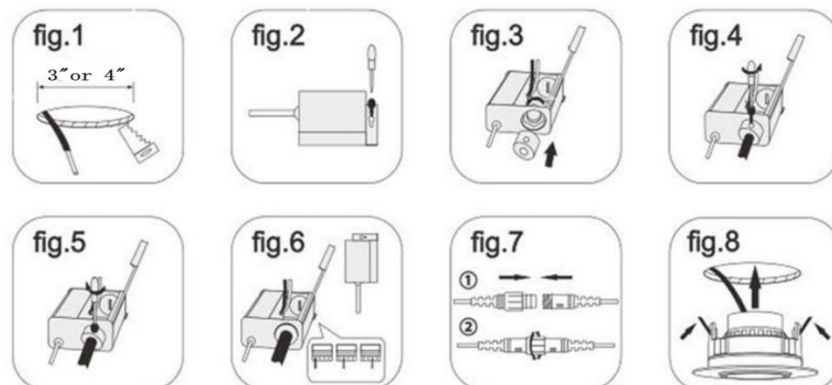
- CRI>80 , PF>0.9
- Beam Angle: 38°
- IP Rating:IP54
- Operation Temperature: -20~40°C (-4~104°F)
- LED Type: COB
- Lifespan: 35,000hours
- Dimming: Triac Dimmable



Specification

Order code	Power (W)	Input Voltage	Luminou (lm)	CCT, optional	Diameter	Cut-off Size
GLDL307W-XX	7 W	120Vac	500	3000K (30)	3.5"(90mm)	3" (75mm)
GLDL412W-XX	12 W		950	5000K (50)	4.73" (120)	4" (102mm)

Installation

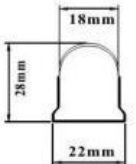


1'-5W/2'-9W/3'-13W/4'-18W T5 Integrated Light Fixture



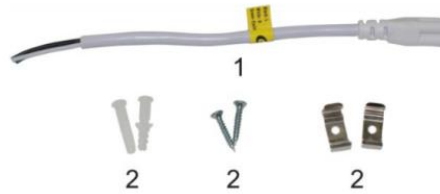
Feature

- CRI>80 , PF>0.9
- T5 fixture integrated, More compact design, available in four sizes:
- Input Voltage 120Vac
- Integrated connector for seamless connection, eliminating any shadow
- LED Type: 3528 MSD
- Operation Temperature: -20~40°C (-4~104°F)
- Lifespan: 35,000hours
- Dimming: Triac Dimmable



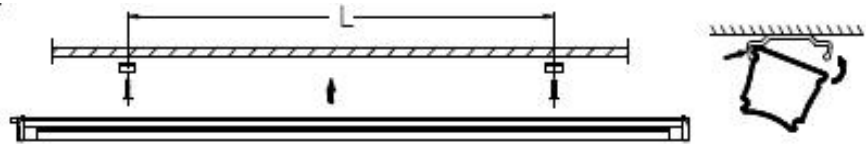
Order code	Watts	CCT	Luminou (lm)	Size
GLT5F1-5W-WF-D	5W	3000K (W)	450	305mm
GLT5F1-5W-CF-D	5 W	5000K (C)	480	12"
GLT5F2-9W-WF-D	9W	3000K (W)	810	603mm
GLT5F2-9W-CF-D	9 W	5000K (C)	850	23 ¾"
GLT5F3-13W-WF-D	13W	3000K (W)	1180	883mm
GLT5F3-13W-CF-D	13 W	5000K (C)	1250	34 ¾"
GLT5F4-18WF-D	18W	3000K (W)	1650	1182mm
GLT5F4-18W-CF-D	18 W	5000K (C)	1700	46 ½"

Package Includes Installation Kits



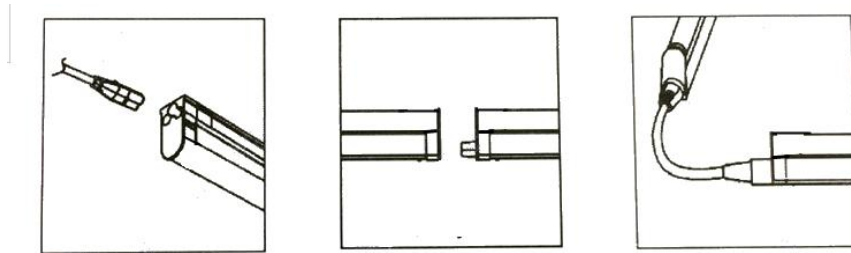
Installation

1, Mounting



Product Type	GLT5F1-5W	GLT5F2-9W	GLT5F3-13W	GLT5F4-18W
Mounting distance between mounting brackets(L)	200mm-260mm	300mm-500mm	600mm-800mm	800mm-1100mm

2, Linking method



Optional Accessories

Junction Box
GLT5JB-A



Junction Box
GLT5JB-B



Wire Connector
GLT5CON(39")



Power Cord:
GLT5PC(39")



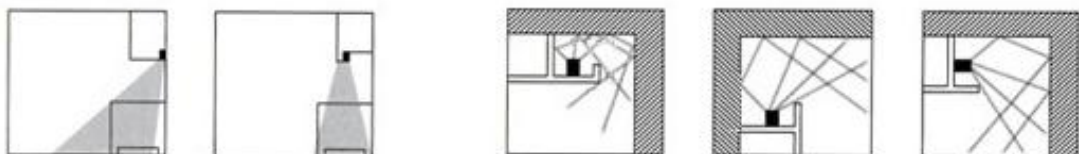
Tube Connector
GLT5CONMF(9")



Tube Connector
GLT5CONMF(39")



Applications



LED Puck Light for Under Cabinet

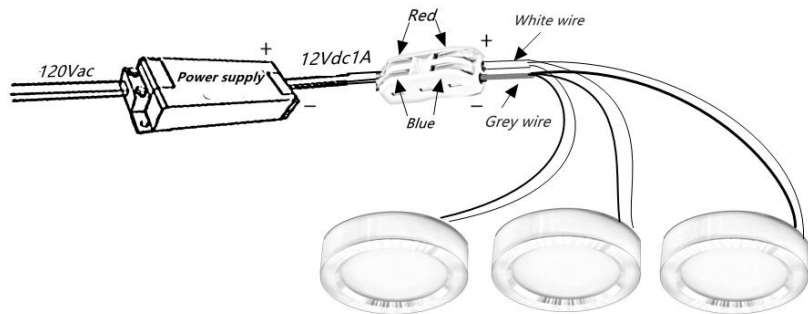
Features:

1. Input voltage: DC 12V
 2. 3W per the puck light
 - 3.CCT: 3000K or 5000K optional.
 - 4.The light' s efficiency is more than 85lm/W.
 - 5.Operating temperature:-20-40°C
 - 6.Can be used with DC power supply of plug-in or hardwire box
- A package** including three 3W Puck light and one 12V1A power supply

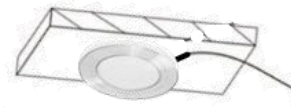
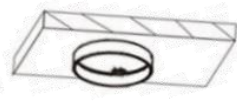


Wirng method

Use special connector,you can install the light according to the position you need.



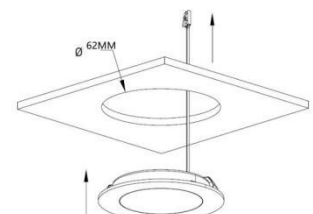
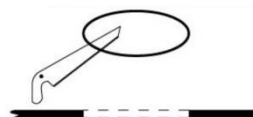
Surface mount



- 1,Separate mounting ring from the light
- 2,Using a screw driver,install the mounting ring to cabinet surface
- 3,Snap the puck light into the surface ring

Recessed mount

- 1,Remove the mounting ring from the puck light
- 2,Cut out a 62mm hole on the cabinet
- 3,Insert puck light inside the hole

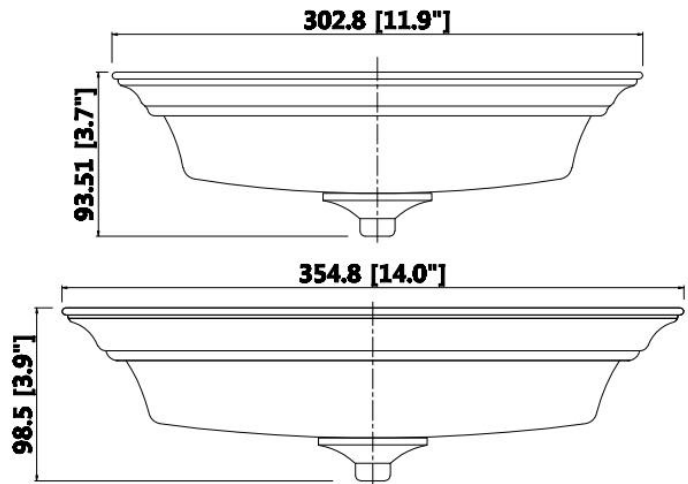


Order infromation

GL-PL3AB-WW(3000K)

GL-PL3AB-CW(5000K)

12"/14" Glass Ceiling Light Flush Mount with LED 15W/20W/ 25W



Specification

Driver on Board LED light Engines

Model Number	Photo	Size	Watts
GL-MZ1501		195mm/7.68 in	15W
GL-MZ2001		215mm/8.46 in	20W
GL-MZ2501		255mm/10.04 in	25W

120V input, 50/60Hz, PF>0.9, Damp Location

Color Temperature: 2700K, 3000K, 3500K, 4000K, 5000K, adjustable;

CRI 80, 90 lm/W, Triac dimming of 100%-10%

Ambient temperature: -20°C to 45°C

5 years limited warranty



ORB finish

ORB Finish



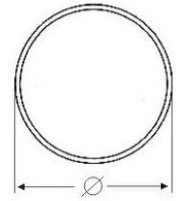
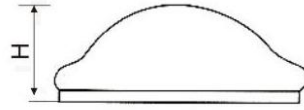
BN finish

BN Finish

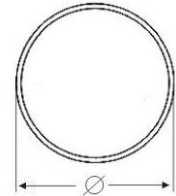
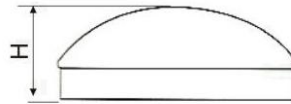
Order code	Size	Watts	Lumen
GLCLSGP1215	D302.8mm/11.9 in x H93.5mm/3.7 in	15W	1150
GLCLSGP1220	D302.8mm/11.9 in x H93.5mm/3.7 in	20W	1500
GLCLSGP1415	D354.8mm/14.0 in x H98.5mm/3.9 in	15W	1150
GLCLSGP1420	D354.8mm/14.0 in x H98.5mm/3.9 in	20W	1500
GLCLSGP1425	D354.8mm/14.0 in x H98.5mm/3.9 in	25W	1850

14"PC Ceiling Light Flush Mount with LED 16W/24W

A



B



Specification

Driver on Board LED light Engines

Model Number	Photo	Size	Watts/CCT
GL-R170-1630		170mm 6.7 in	16W/3000K
GL-R170-1650			16W/3000K
GL-R170-2430			24W/3000K
GL-R170-2450			24W/3000K

120V input, 50/60Hz, PF>0.9, Damp Location

Color Temperature: 3000K or 5000K, optional

CRI 80, 90 lm/W, Triac dimming of 100%-10%

Ambient temperature: -20°C to 45°C

3 years limited warranty

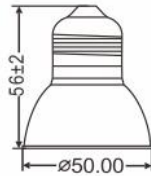
Order Code	Size(mm)	CCT	Volt/Watts	Lumens
GLCLS24WC-A	ø350 x H:95	5000K	120AC/24W	1900
GLCLS24WW-A	ø350 x H:95	3000K	120AC/24W	1900
GLCLS24WC-B	ø350 x H:120	5000K	120AC/24W	1900
GLCLS24WW-B	ø350 x H:120	3000K	120AC/24W	1900
GLCLS16WC-A	ø350 x H:95	5000K	120AC/16W	1250
GLCLS16WW-A	ø350 x H:95	3000K	120AC/16W	1250
GLCLS16WC-B	ø350 x H:120	5000K	120AC/16W	1250
GLCLS16WW-B	ø350 x H:120	3000K	120AC/16W	1250

GL LED COB BULB

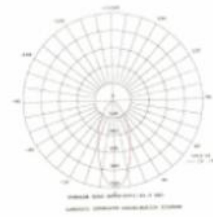
GLE266W45DXX-C



Size



Photometry



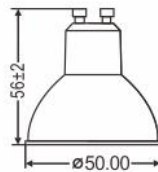
TECHNICAL PARAMETERS

Order Code	Voltage	Watts	CCT	CRI	Lumens	LED Model	Dimmable	Base
GLE266W45DCD-C	AC120V	6W	4700-5300K	80	600LM	COB	YES	E26/E27
GLE266W45DWD-C	AC120V	6W	2900-3100K	80	550LM	COB	YES	E26/E27

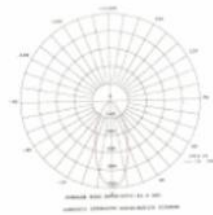
GLGU106W45DXX-C



Size



Photometry



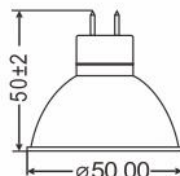
TECHNICAL PARAMETERS

Order Code	Voltage	Watts	CCT	CRI	Lumens	LED Model	Dimmable	Base
GLGU106W45DCD-C	AC120V	6W	4700-5300K	80	600LM	COB	YES	GU10
GLGU106W45DWD-C	AC120V	6W	2900-3100K	80	550LM	COB	YES	GU10

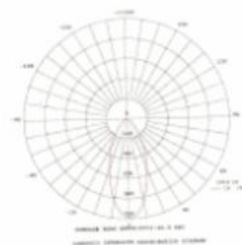
GLMR166W45DXX-C



Size



Photometry



TECHNICAL PARAMETERS

Order Code	Voltage	Watts	CCT	CRI	Lumens	LED Model	Dimmable	Base
GLMR166W45DCD-C	AC12V	6W	4700-5300K	80	600LM	COB	YES	GU5.3
GLMR166W45DWD-C	AC12V	6W	2900-3100K	80	550LM	COB	YES	GU5.3

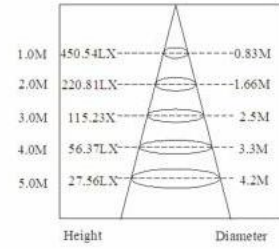
GLPAR206W45DXX-C



Size



Photometry



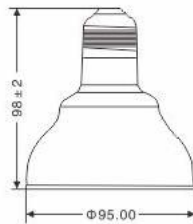
TECHNICAL PARAMETERS

Order Code	Voltage	Watts	CCT	CRI	Lumens	LED Model	Dimmable	Base
GLPAR206W45DCD-C	AC120V	6W	4700-5300K	80	620LM	COB	YES	E26/E27
GLPAR206W45DWD-C	AC120V	6W	2900-3100K	80	580LM	COB	YES	E26/E27

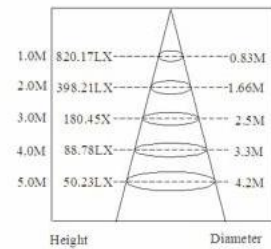
GLPAR3010W45DXX-C



Size



Photometry



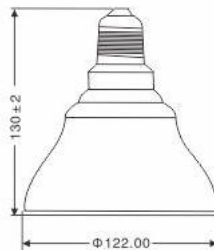
TECHNICAL PARAMETERS

Order Code	Voltage	Watts	CCT	CRI	Lumens	LED Model	Dimmable	Base
GLPAR3010W45DCD-C	AC120V	10W	4700-5300K	80	1050LM	COB	YES	E26/E27
GLPAR3010W45DWD-C	AC120V	10W	2900-3100K	80	1000LM	COB	YES	E26/E27

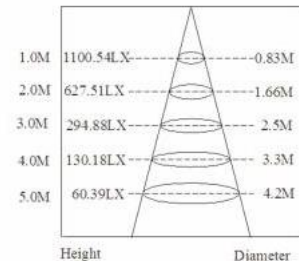
GLPAR38XXW45DXX-C



Size



Photometry

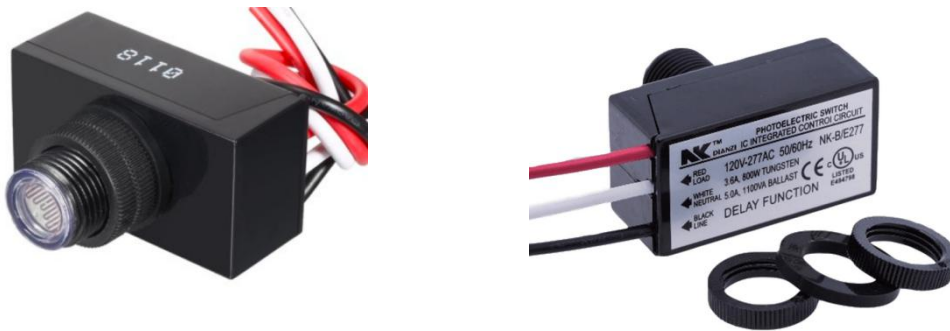


TECHNICAL PARAMETERS

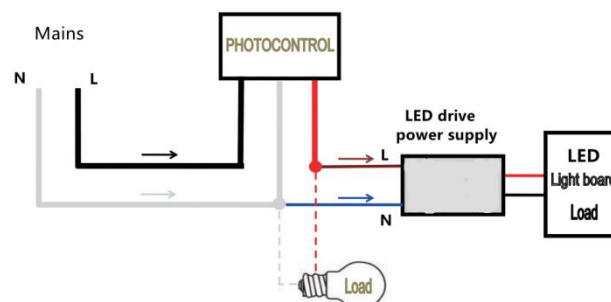
Order Code	Voltage	Watts	CCT	CRI	Lumens	LED Model	Dimmable	Base
GLPAR3816W45DCD-C	AC120V	16W	4700-5500K	80	1500LM	COB	YES	E26/E27
GLPAR3816W45DWD-C	AC120V	16W	2900-3100K	80	1450LM	COB	YES	E26/E27
GLPAR3820W45DCD-C	AC120V	20W	4700-5500K	80	1800LM	COB	YES	E26/E27
GLPAR3820W45DWD-C	AC120V	20W	2900-3100K	80	1700LM	COB	YES	E26/E27

LIGHTING ACCESSORIES

Outdoor Post Eye Light Control with Photocell Dusk to Dawn Light Sensor Switch

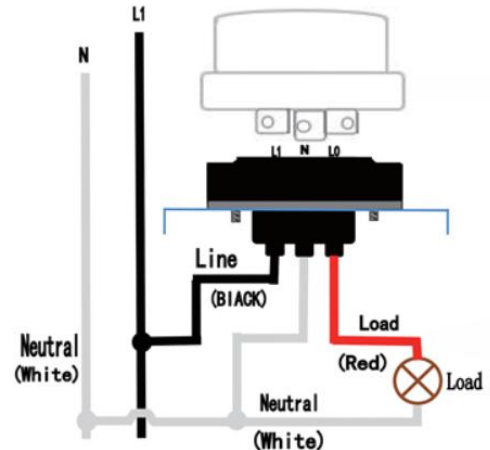


Model No	GL-B/E277
Rated Voltage	120V-277VAC
Applicable voltage range	80VAC 110VAC 120VAC 220VAC 240VAC 277VAC
Rated Frequency	50/60Hz
Rated Loading	800W Tungsten, 1100VA Ballast
Power Consumption	1.0W (Average)
On/Off Level	5-15LUX ON 30-60LUX OFF
Anti-interference delay	20-60s
Ambient Temp	(-35°C) (+70°C)
lated Humidity	99%%
Body Meas	52.5mm (L) × 28.5mm(W) × 22.5mm(H)
probe size	16.5 (dia) × 21.5 (H)
Weight Approx	40grs
Leads Length	18AWG105°C150mm or Customer request
Type	Wire-in Control
The shell design	It conforms to American national standard ANSIC136.10
Safety certification	UL&CUL(E350349)
Application:	Street lamps, courtyard lights, LED lights, etc
Time of warranty	Use 5000 times, the warranty period is two years



Twist Lock Photocell Sensor

Auto On Off Photocell Sensor Switch, Dawn Photocell Sensor for Area Light, LED Barn Light, Parking Lot Lights, Dusk to Dawn Light



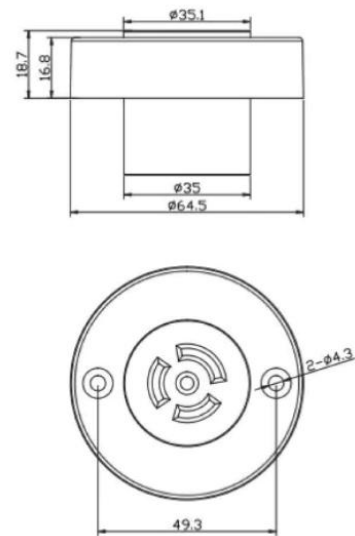
Model No	GL-CA/E10A(b)
Rated Voltage	120V-277VAC
Applicable Volt Range	105V-305VAC
Rated Frequency	50/60Hz
Rated Loading	1800W Tungsten, 1000VA Ballast
Power Consumption	105V-305VAC
On/Off Level	10-20LUX ON 30-70LUX OFF
Anti-interference delay	5-8s (OFF)
Dust and water proof grade	IP65
surge protector	3KV/6KV(Selection)
Ambient Temp	(-40°C) (+70°C)
lated Humidity	99%%
Body Meas	82mm (diamete) × 66mm(H)
Weight Approx	90grs
Type	Twist-Lock Control
The shell design	It conforms to American national standard ANSIC136.10
Safety certification	UL&CUL(E350349)
Application:	Street lamps, courtyard lights, LED lights, etc
Time of warranty	Use 5000 times, the warranty period is two years

Model: GL-CA/E10A(C)

Rated Voltage : **120-347V**, 1000VA LED drive power supply.

Twist lock photocell receptacle

GL-DR-103 PIN photocell socket for outdoor lighting



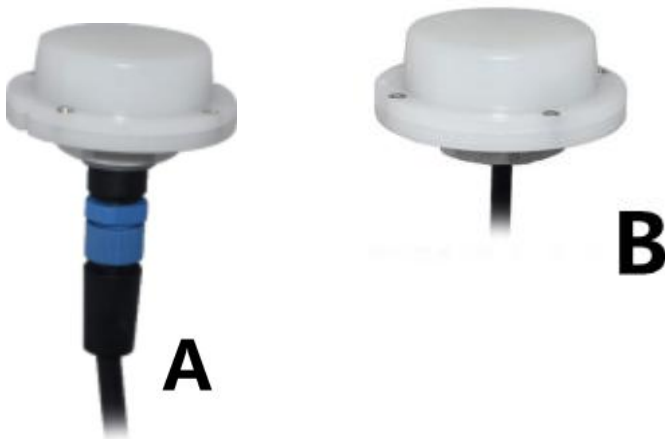
Model No	GL-DR-103
Rated Voltage	105V-480VAC
Rated Frequency	50/60Hz
load	1800W tungsten filament lamp 2500VA ballast
Ambient Temp	(-40°C) (+105°C)
size	64(diamete) × 35.5mm(trepanning)
Lead long	300mm or Customer request (AWG#14)
The shell design	It conforms to American national standard ANSIC136.10
Safety certification	UL&CUL(E350349)
Application:	"Street lamps, courtyard lights, LED lights, etc"
Time of warranty	Quality assurance for eight years

Low Voltage Motion Sensor

Suitable for GL Flood/Wall pack/UFO High bay/ Area Light/Canopy Light

The sensor is mounted on outdoor lighting fixtures and provides multi-level control based on motion and sunlight contribution. It controls 0-10 VDC dimming LED drivers. All control parameters can be adjusted via a wireless configuration tool (Remote Controller) capable of storing and transmitting sensor profiles.

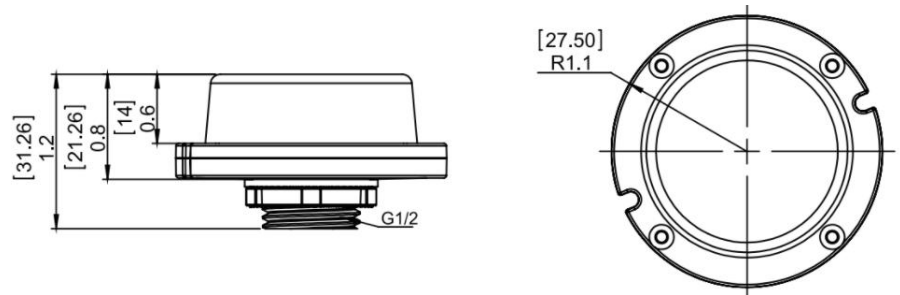
GL-ANT-5



GL RC-100



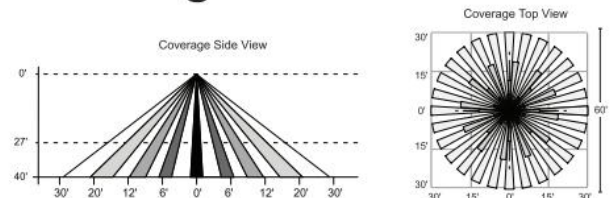
Remote Controller



Specification

- Provides line voltage On/Off switching and 0-10VDC dimming control
- Power supply:12-24V DC,works with LED drivers
- Dim control output:0-10V, max.
- Detection radius
- Time delay from 10 seconds to 60 minutes
- Optional cut off delay
- Remote range:50ft. (15m) indoor
- Humidity:95% RH
- Temperature:-40°F ~ +167°F (-40°C ~ +75°C)
- Adjustable ramp up and fade down times Optional daylighting setpoints feature automatic calibration, or permit manual adjustment

Coverage

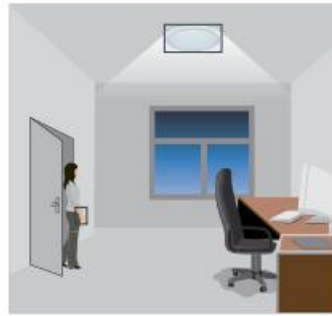


Corridor Function

This function inside the motion sensor to achieve tri-level control, for some areas which require a light change notice before switch-off. The sensor offers 3 levels of light: **100% --> dimmed light (natural light is insufficient) --> off**; and **2 periods of selectable waiting time**: motion hold-time and stand-by period; Selectable daylight threshold and freedom of detection area.



With sufficient natural light, the light does not switch on when presence is detected.



With insufficient natural light, the sensor switches on the light automatically when presence is detected.



After hold-time, the light dims to stand-by level if the surrounding natural light is below the daylight threshold.



Light switches off automatically after the stand-by period elapses.

Smart Photocell Function

Open the smart photocell sensor by push D when remote control is in setting condition.

Settings on this demonstration:

Hold-time: 10min;

Setpoint on: 50lux;

Setpoint off: 300lux;

Stand-by Dim: 10%;

Stand-by period: +∞ (when the smart photocell sensor open, the stand-by time is only +∞)



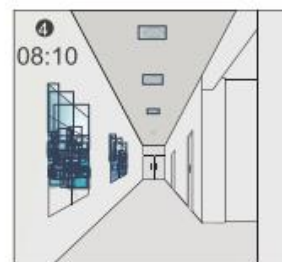
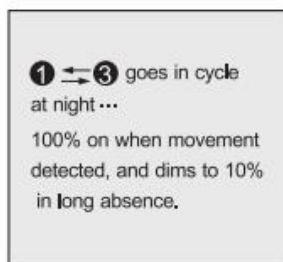
The light switches on at 100% when there is movement detected.



The light dims to stand-by level after the hold-time.



The light remains in dimming level at night.

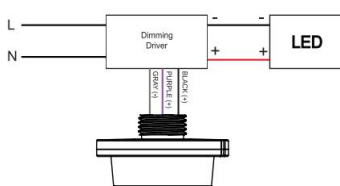


When the natural light level exceeds setpoint off to light, the light will turn off even if when the space is occupied.



The light automatically turns on at 10% when natural light is insufficient (no motion).

Wiring ANT-5 wiring with 12VDC wire dimming ballast or LED driver.



GL LED Driver Power Supply

GLD-240C120-347V

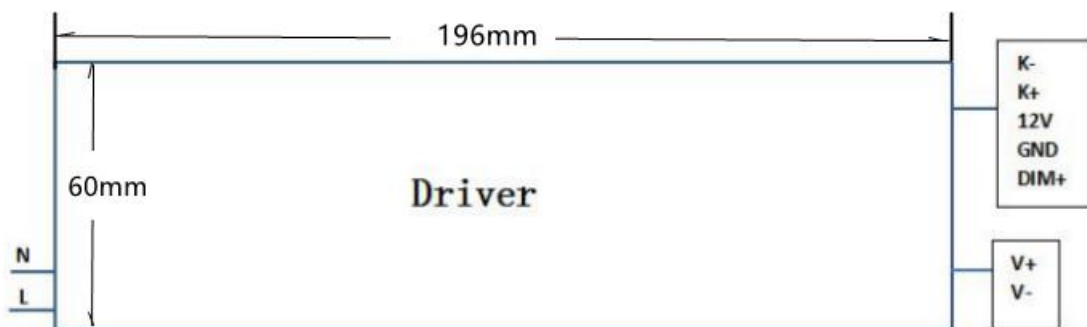
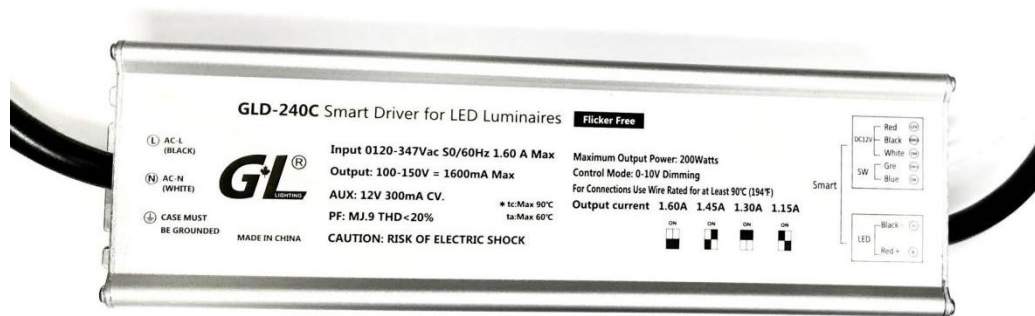
120-347V wide voltage, 0-10V dimming, LED power supply with 12V auxiliary power supply, adjustable power by dip code, also equipped with dimming signal isolation, high power factor, high efficiency, high precision, non-isolated constant current power supply without flicker.

Input Voltage:120-347Vac,50/60Hz

Output Voltage: 100-150 Vdv,Output Current:Max 2000mA

Dial code descriptio

PIN 1	PIN 2	Iout(ma)	Pin(W)	Uout(v)
OFF	OFF	1600	200	120
OFF	ON	1450	180	
ON	ON	1300	160	
ON	OFF	1150	145	



GL80D2C-42/2000

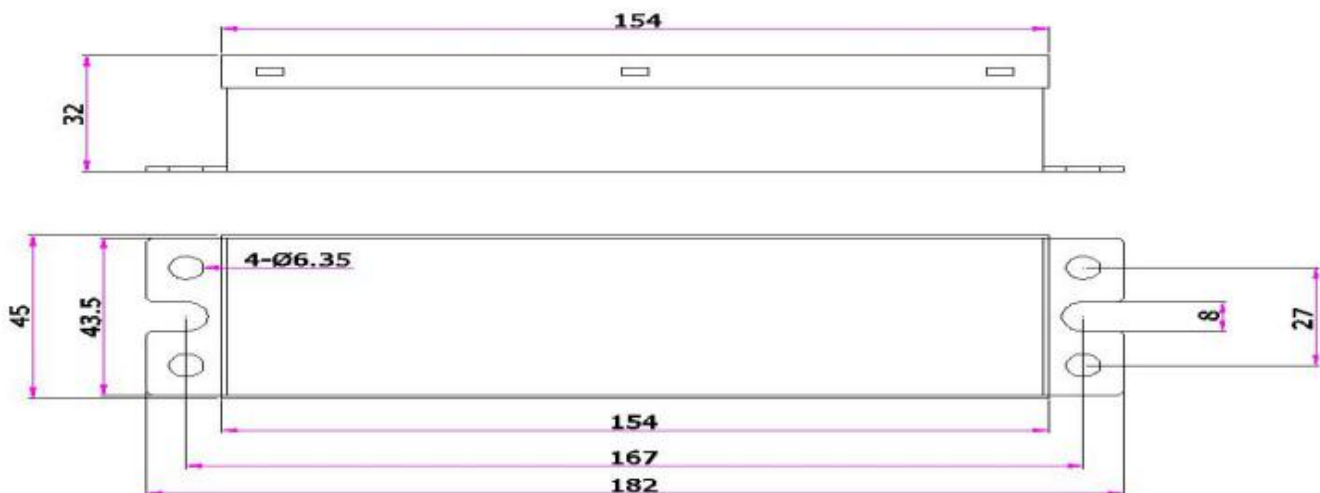
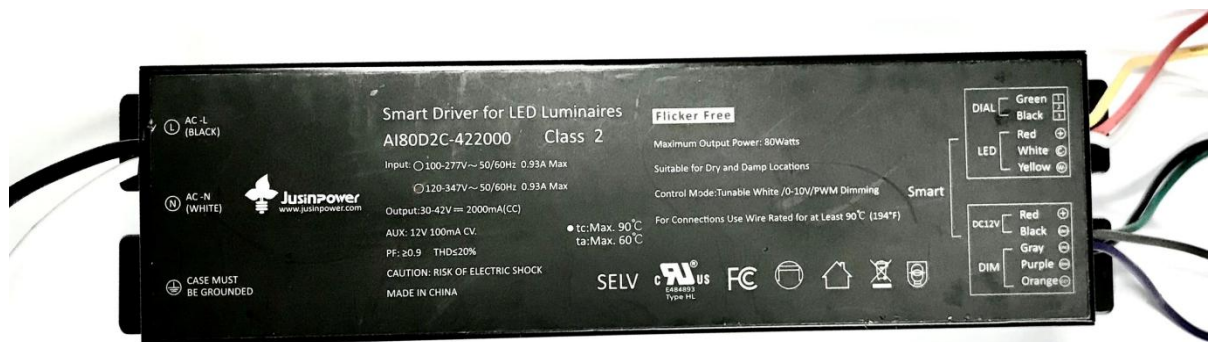
120-347V full voltage input; 0-10V signal dimming; Adjustable power and CCT of lighting by dip code; Isolation constant current power supply, maximum output power 80W, FCC UL certification, no stasmo, high power factor, low harmonic, high efficiency, high precision,

Input Voltage: 120-347Vac, 50/60Hz

Output Voltage: 30-42 V_{dv}, Output Current: Max 2000mA

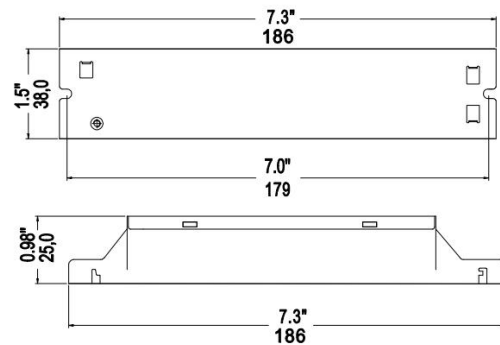
Dial code descriptio

PIN 1	PIN 2	PIN 3	Gear	Yellow(mA)	White(mA)	CCT
OFF	OFF	OFF	1	1910	0	3000K
OFF	ON	OFF	2	1640	330	3500K
OFF	OFF	ON	3	1300	700	4000K
ON	ON	OFF	4	660	1340	5000K
ON	ON	ON	5	250	1700	5500K



GL LED Emergency Driver

GL-EMB-XXW-050V Compatibility GL80D2C-42/2000

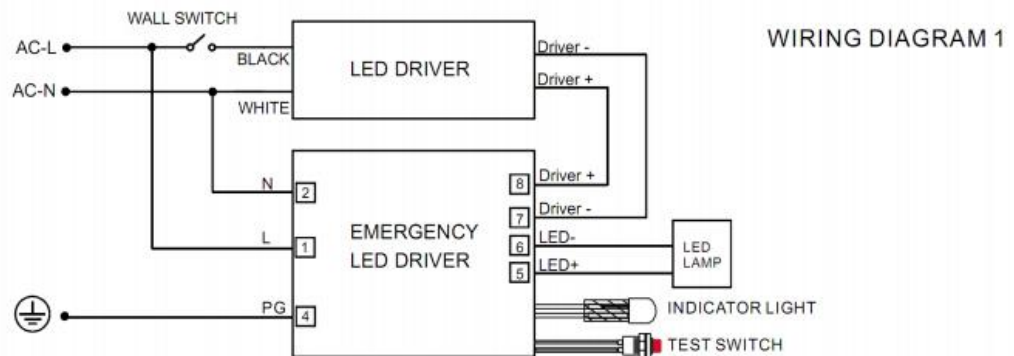


Specification

- Output Voltage: DC25V-50VDC
- Output Power: 8w, 15w, 20w, 30w (xx)
- Input Current 100mA(Max)
- Input Power 7W(Max)
- Input Voltage 100-347VAC, 50-60Hz
- Emergency Operation > 90 Minutes
- Operating Temp 0° to 50° C / Lithium ; 5° to 65° C / NI-MH
- Battery Lithium / Ni-MH , Recharge 24 Hrs

Warranty: 5-Year Warranty.

Wiring diagram



Self-Diagnostic

(The lamp power is less than 120W and the driver's output current is less than 3A.)

The integrated self-diagnostic circuitry will automatically conduct monthly 30-second and annual 90-minute tests to verify proper emergency capability per Life Safety Code requirements

Press the test button to cut the power to the AC driver and switch the system to emergency mode. Release the test button to return to normal mode. Switch off the circuit breaker to simulate a full power outage.

NFPA 101, Life Safety Code outlines the following schedule:

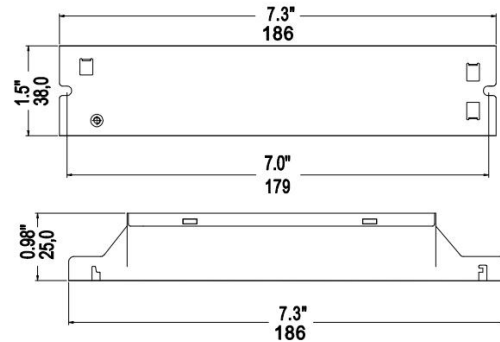
Monthly - Insure that the test button light is illuminated. Conduct a 30 second discharge test by depressing the test button.

The LED load should operate at reduced output.

Annually - Insure that the test button is illuminated. Conduct a full 90 minute discharge test. The unit should operate as intended for the duration of the test.

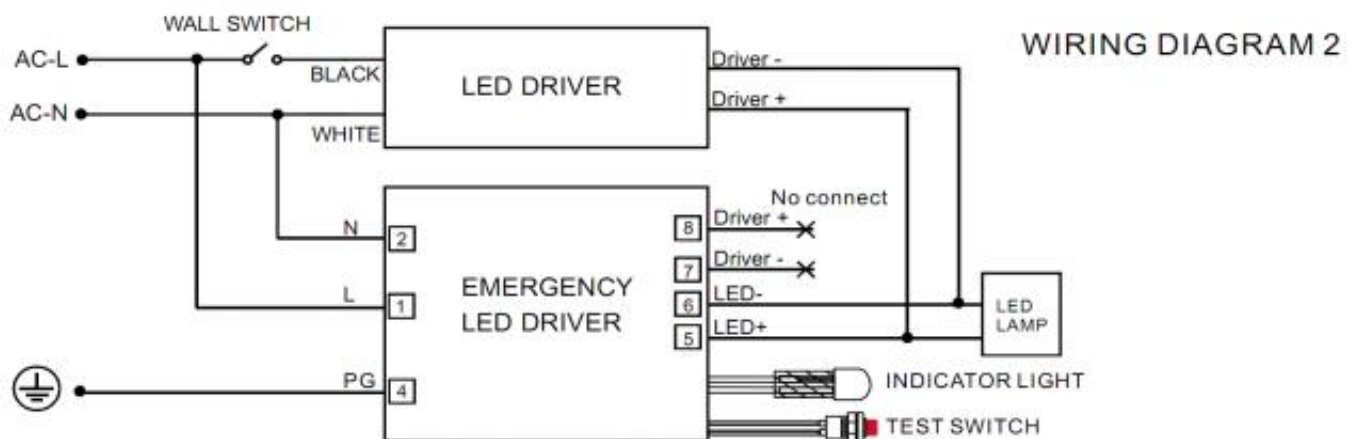
"Written records of the testing shall be kept by the owner for inspection by the authority having jurisdiction."

GL-EMB-XXW-155V Compatibility GLD-240C120-347V



Specification

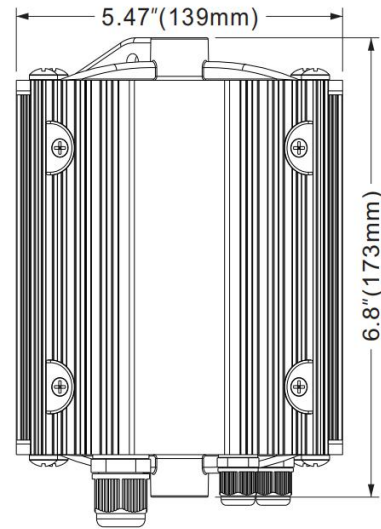
- Output Voltage: DC80V-155DC
- Output Power:8w,15w,20w,30w (xx)
- Input Current 100mA(Max)
- Input Power 7W(Max)
- Input Voltage 100-347VAC,50-60Hz
- Emergency Operation>90 Minutes
- Operating Temp 0° to 50° C /Lithium ;5° to 65°C/NI-MH
- Battery Lithium / Ni-MH ,Recharge 24 Hrs



(The lamp power is more than 120W and turn off wall switch before testing)

Warranty: 5-Year Warranty.

GL UFO-LEDEM Series



Specification

Input Voltage-----(Universal)120-347Vac ,50/60Hz

Input Power(120V/277V)----810Watts(Max)

Output Current-----0.1A(@170Vdc)

Power Factor----->0.5

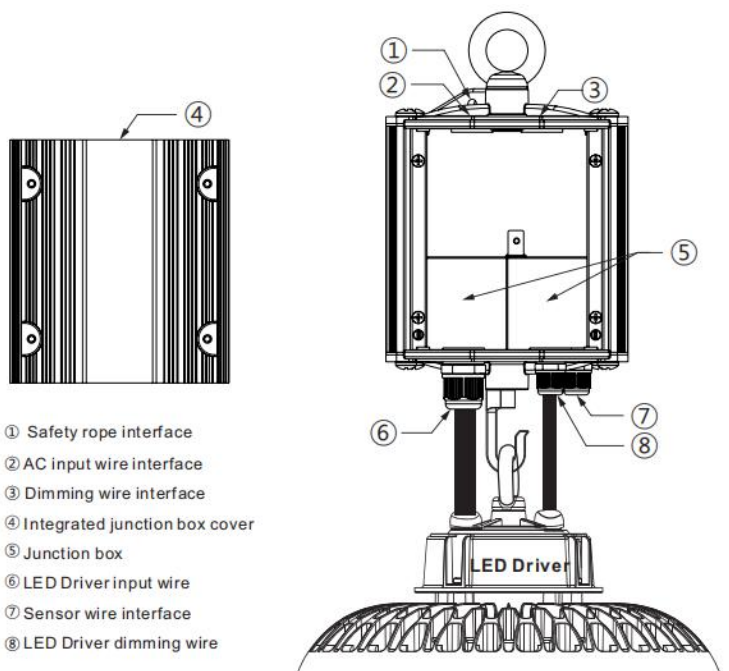
Power Voltage-----175Vdc

Emergency Operation---90 minutes

Operating Temp-----5° to 50°C

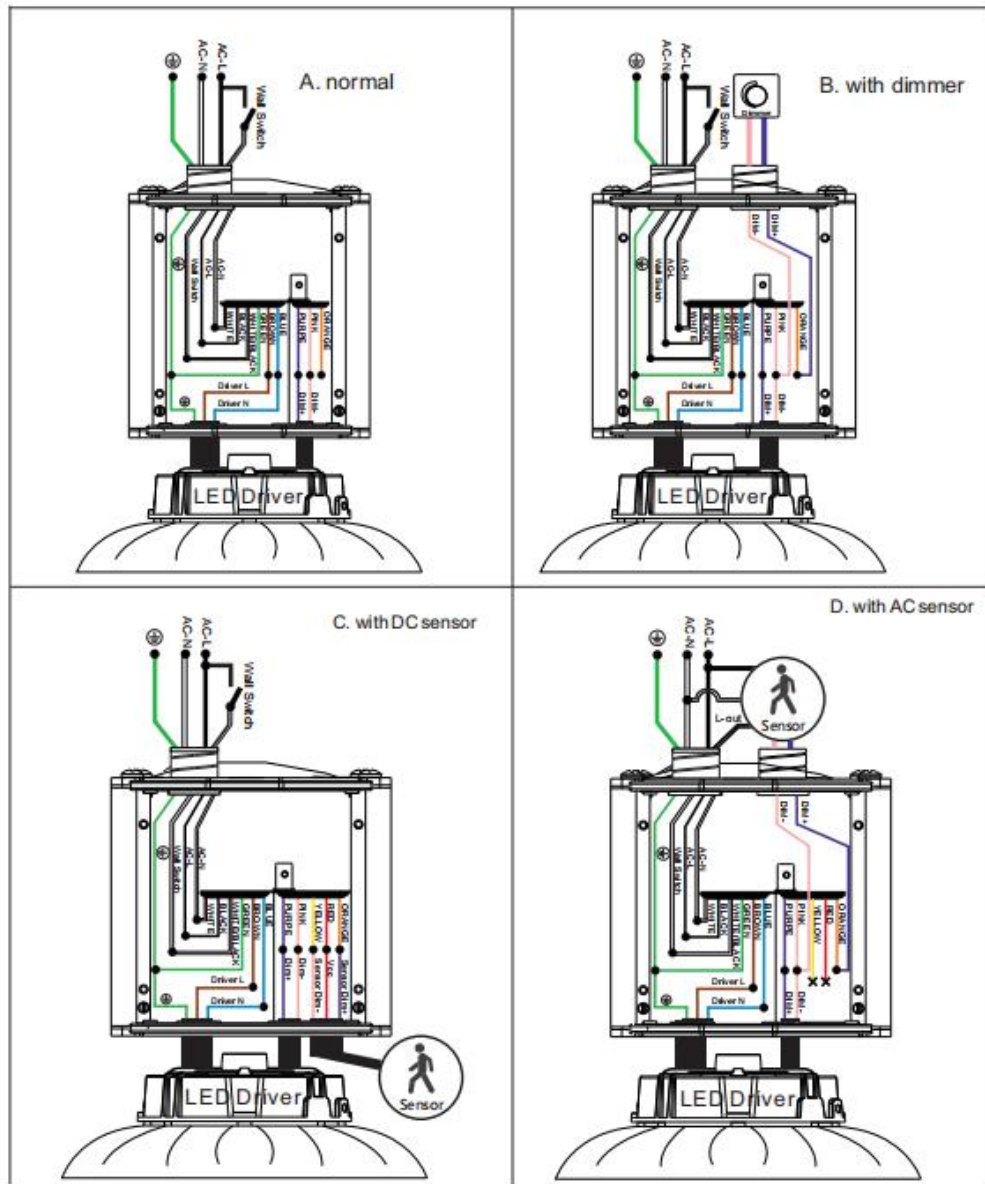
Battery-----Lithium battery

Instructions



- ① Safety rope interface
- ② AC input wire interface
- ③ Dimming wire interface
- ④ Integrated junction box cover
- ⑤ Junction box
- ⑥ LED Driver input wire
- ⑦ Sensor wire interface
- ⑧ LED Driver dimming wire

Wiring Diagram



Order Information

Model NO.	Emergency Power
EMUFO-25170-TT	25W (120-347V)
EMUFO-40170-TT	40W (120-347V)

Caution

During AC operation, remember no touch or remove any wires in case of electric shock.

During emergency operation, before touching and disconnecting the wires, remember to press the test button again to make the led lamp and indicator light off to avoid electric shock .

The voltage input to the dimmable wires(DIM+ ,DIM-) of emergency LED driver must less than 20Vdc.

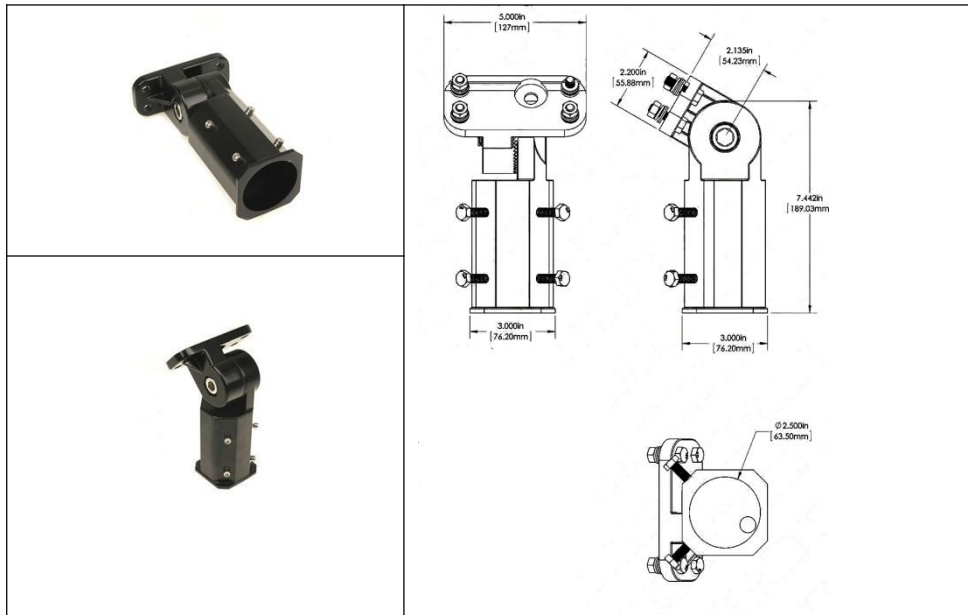
For emergency LED driver of EMUFO-25170-TT better work with LED lamp not more than 150W.

For the EMUFO-40170-TT must work with LED lamp not more than 300W.

This emergency LED driver only work with LED lamp with dimmable function.

Knuckle Slip Fitter and Adaptor

Knuckle Slip Fitter GL-KSF60



Slip Fitter Adaptor

Round Pole Side Tenon Adapter (RA) GL-KSF-RA

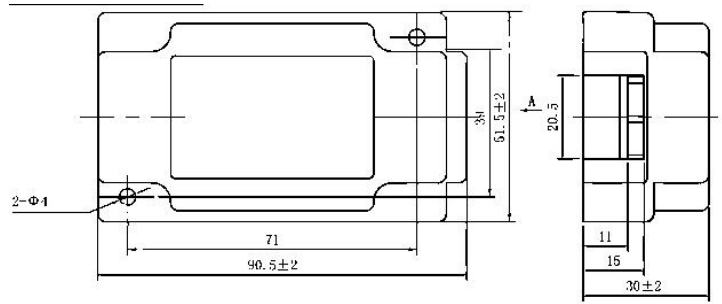


Square Pole Side Tenon Adapter(SA) GL-KSF-SA



Wire Junction Box

GLT5JB-A



GLT5JB-B

