

GL LED High Bay D 300

GL-HBD-300W-A



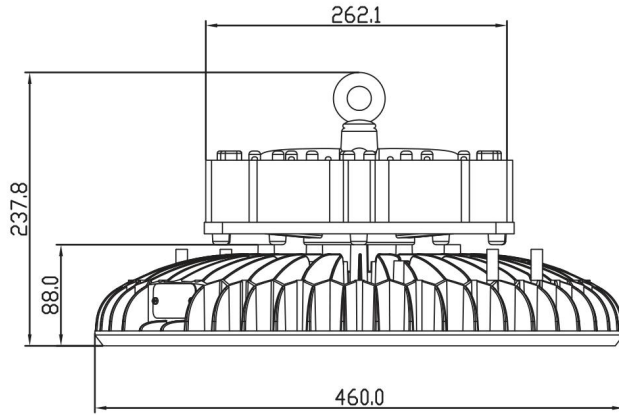
Features

- ① Die casting 6063 aluminum (Al - Mg - Si alloy) heat-sink, with excellent heat dissipation and corrosion resistance;
- ② With Philips 3030 led light source, High temperature resistance EMC light source bracket with high stability, Up to 50,000 hours average life, high CRI;
- ③ Using UL listed LED driver, suitable voltage (120-277VAC, high PF), Overcome the shortcomings, such as power grid because of the ballast and noise pollution;
- ④ The PC flat lens cover is good pervious to light quality and corrosion resistance;
- ⑤ 60/90/ 120 °beam angle ;
- ⑥ Dimmable : 0-10V, PWM and Resistor, optional.

1. Technical Specification

Product code	GL-HBD-300W-XXX		
Power	300W ± 10%	Beam Angle	60/90/120
Voltage	AC120-277V	Material	
Luminous efficacy	≥130 lm/W	Life Span	≥50000h
CRI	>80	IP Grade	IP40
CCT	4000/5000K	LED	PHILIPS 3030 (483PCS)
PF	>0.95	Replaceable	600W HID
Luminous flux	≥36000LM	N.W(kg)	8.0KG
Storage Temperature	-40~80°C	Working Temperature	-40~50°C

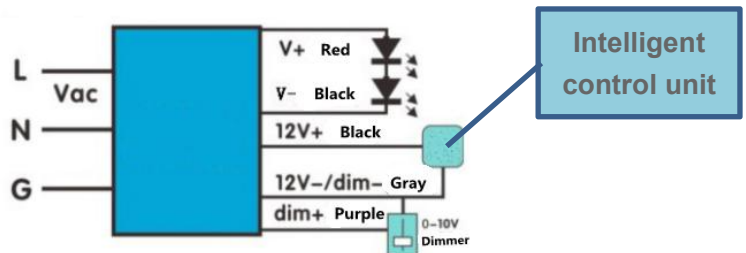
2. Dimension (Unit: mm)



3. Dimming parameters

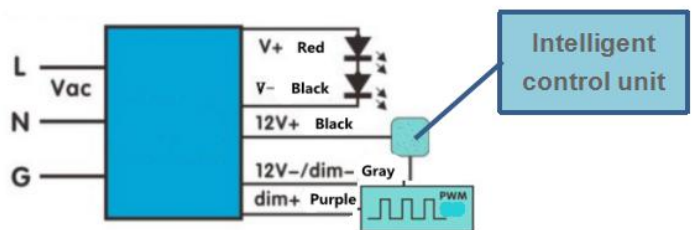
A, 0-10V dimming

Work voltage range: 0-10.5V
 Operating current range: 200-450uA,
 Dimming range: 0%-100%



B, PWM dimming

PWM high voltage level range: 9-11V
 Operating Frequency Range: 900Hz-1100Hz
 Dimming range: 0%-100%



C, Resistor dimming

Operating resistance range: 0-100k Ω
 Dimming range: 0%-100%

