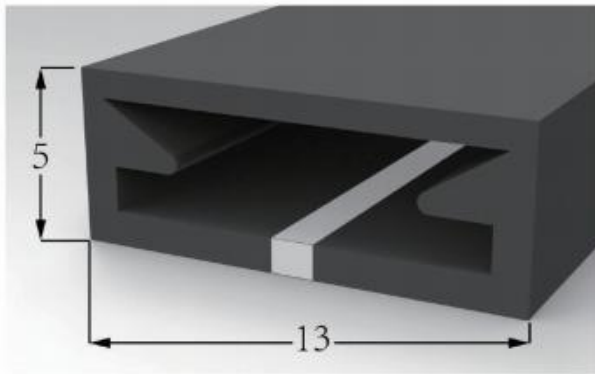


Application scenarios:

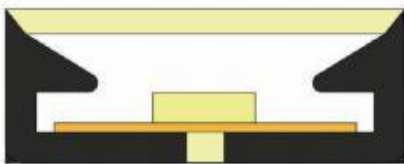




S0513 - Top View 4 Sides Black



PCB Width (mm)	10
Weight (g/m)	55
Section size (mm)	5*13
Beam angle	120°



Lighting Direction: Top Lighting

Cutting mark: Yes



End cap with hole

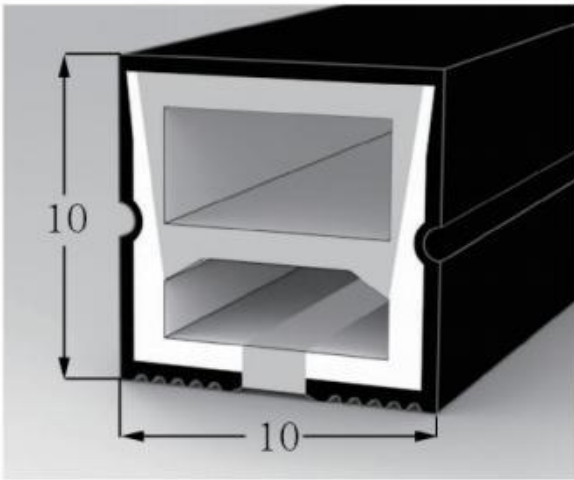
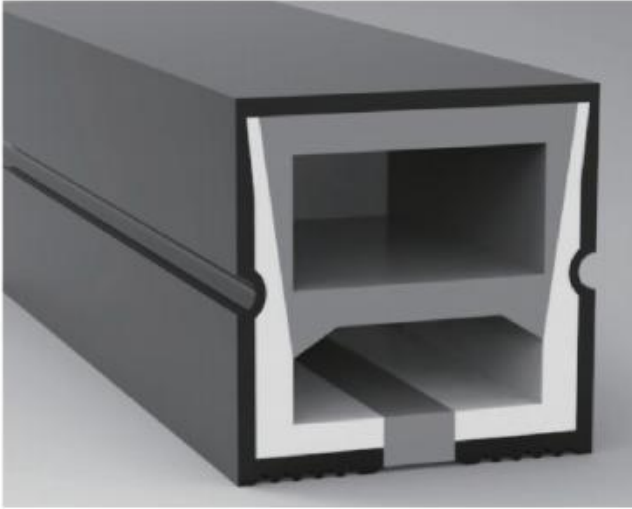


End cap no hole

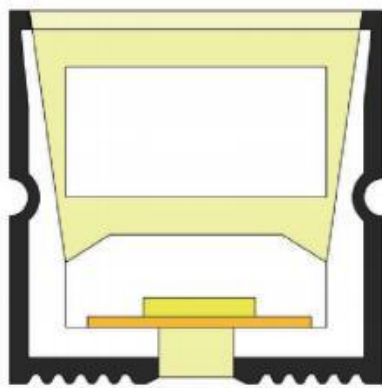


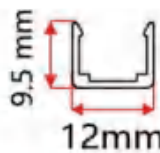
Plastic clip

S1010 - Top View 4 Sides Black



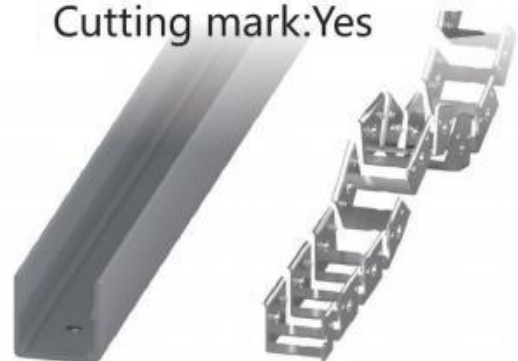
PCB Width(mm)	6
Weight(g/m)	74
Section size(mm)	10*10
Beam angle	120°



Aluminum profile size(mm) : 

Lighting Direction: Side Lighting

Cutting mark:Yes



End cap with hole

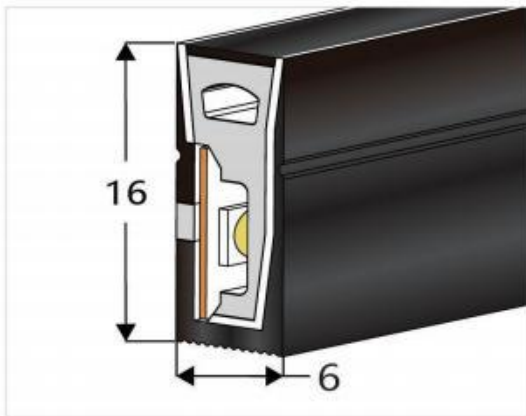
End cap no hole

Aluminum Clip

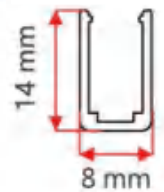
Aluminum Profile

Flexible Profile

S0616 - Side View 4 Sides Black



PCB Width (mm)	8
Weight (g/m)	89
Section size (mm)	6*16
Beam angle	120°



Aluminum profile size(mm) :

Lighting Direction: Side Lighting

Cutting mark: Yes



End cap with hole

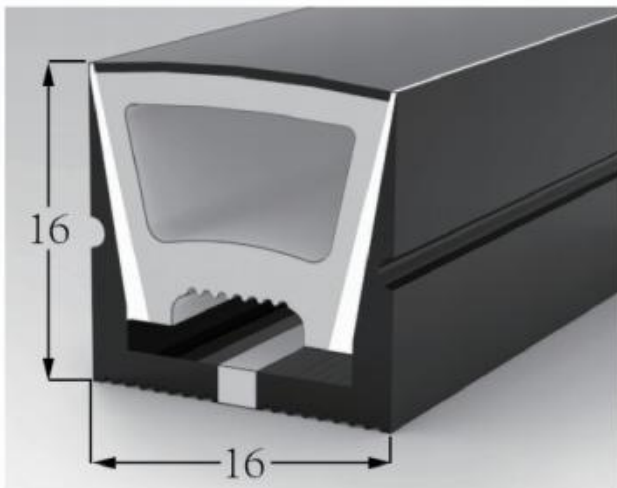
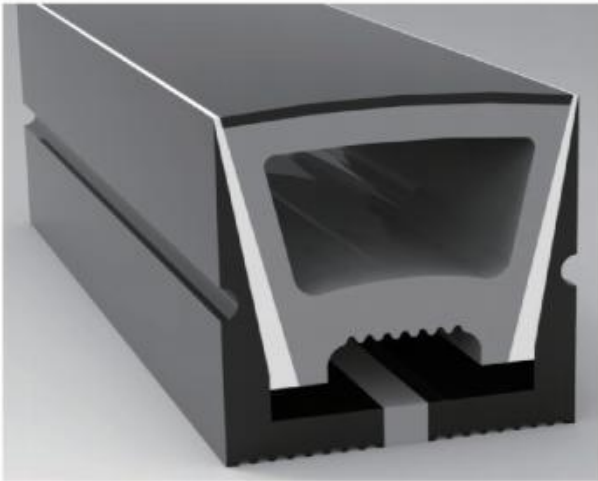
End cap no hole

Aluminum Clip

Aluminum Profile

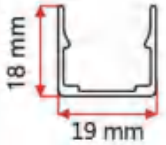
Flexible Profile

S1616 - Top View 4 Sides Black



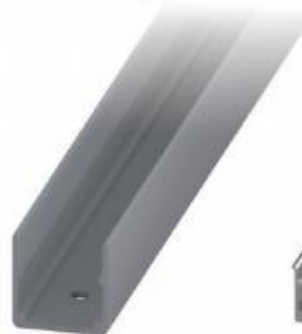
PCB Width(mm)	10
Weight(g/m)	193
Section size(mm)	16*16
Beam angle	120°



Aluminum profile size(mm) : 

Lighting Direction: Top Lighting

Cutting mark:Yes



End cap with hole

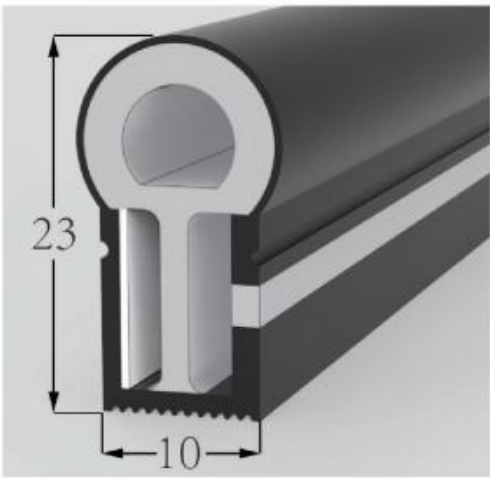
End cap no hole

Aluminum Clip

Aluminum Profile

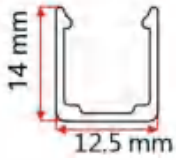
Flexible Profile

S1023 - Side View Black



PCB Width(mm)	10
Weight(g/m)	195
Section size(mm)	10*23
Beam angle	180°



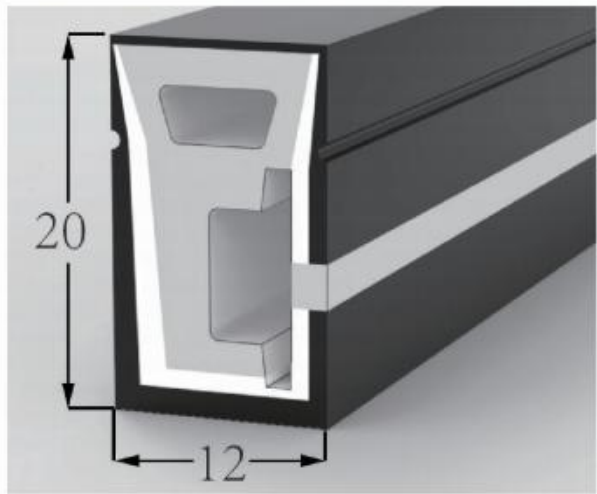
Aluminum profile size(mm) :  14 mm x 12.5 mm
 Lighting Direction: Side Lighting

Cutting mark:Yes

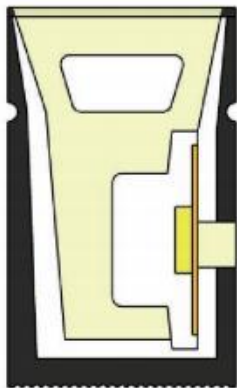


End cap with hole End cap no hole Aluminum Clip Aluminum Profile Flexible Profile

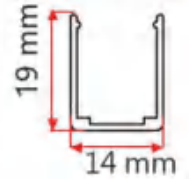
S1220 - Side View 4 Sides Black



PCB Width (mm)	10
Weight (g/m)	220
Section size (mm)	12*20
Beam angle	120°



Aluminum profile size(mm) :



Lighting Direction: Side Lighting

Cutting mark: Yes



End cap with hole

End cap no hole



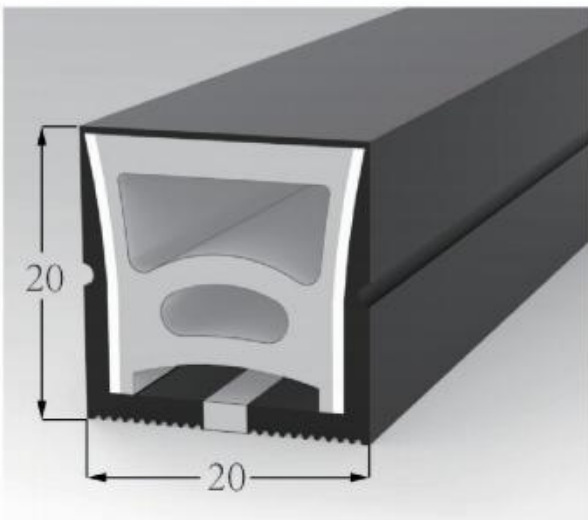
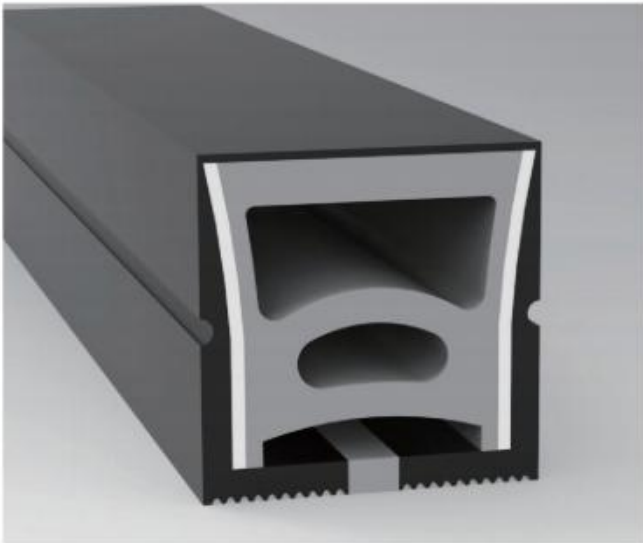
Aluminum Clip



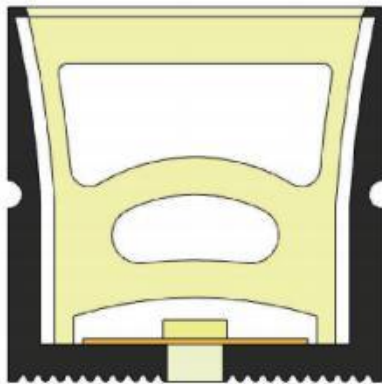
Aluminum Profile

Flexible Profile

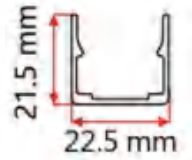
S2020 - Top View 4 Sides Black A



PCB Width (mm)	12
Weight (g/m)	256
Section size (mm)	20*20
Beam angle	120°



Aluminum profile size(mm) :



Lighting Direction: Top Lighting

Cutting mark: Yes



End cap with hole

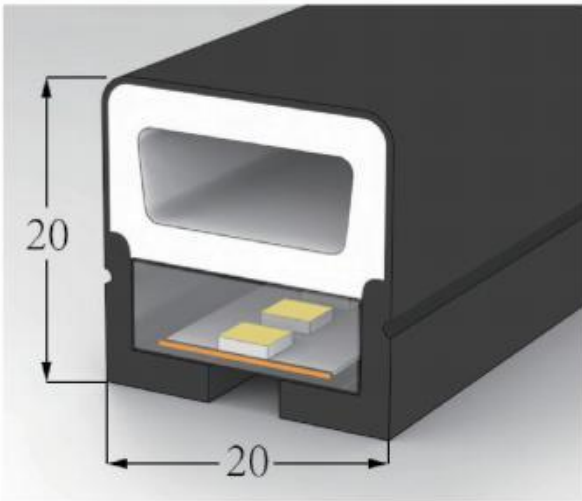
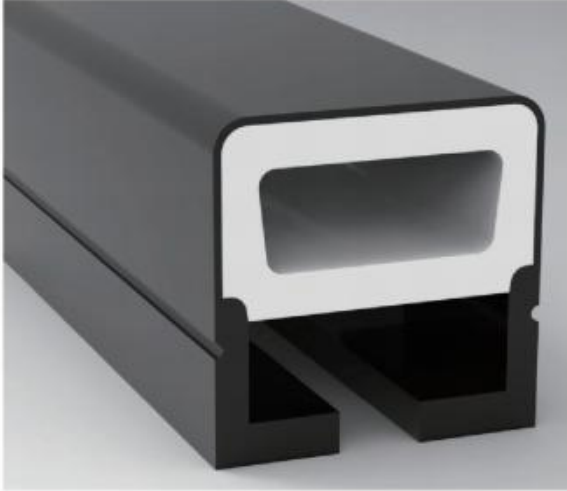
End cap no hole

Aluminum Clip

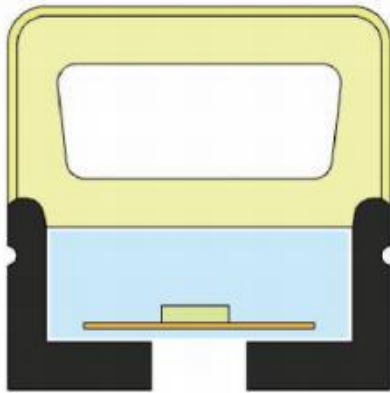
Aluminum Profile

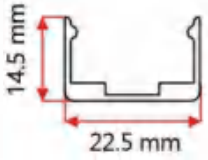
Flexible Profile

S2020 - Top View 4 Sides Black B



PCB Width(mm)	12
Weight(g/m)	263
Section size(mm)	20*20
Beam angle	270°



Aluminum profile size(mm) :  14.5 mm
22.5 mm

Lighting Direction: 3 Sides Lighting

Cutting mark: Yes



Aluminum Profile

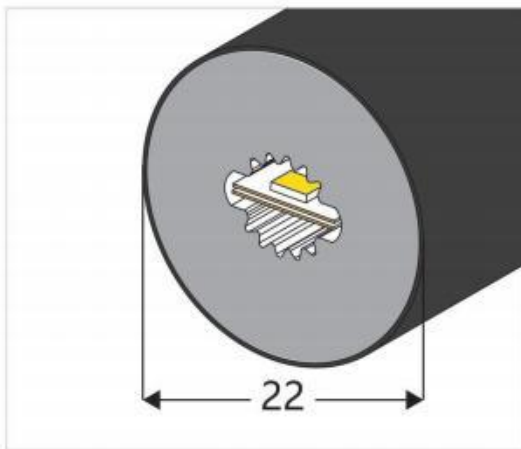


Aluminum Clip

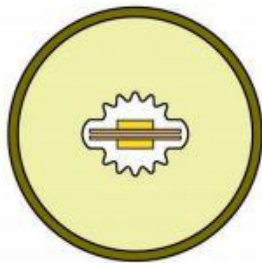


Flexible Profile

SD22 - Round View 360° Black



PCB Width (mm)	double-side 8
Weight (g/m)	420
Section size (mm)	∅ 22
Beam angle	360°



Lighting Direction: 360°



End cap with hole

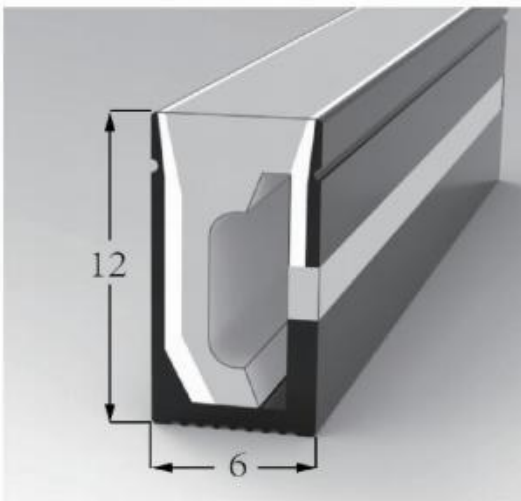
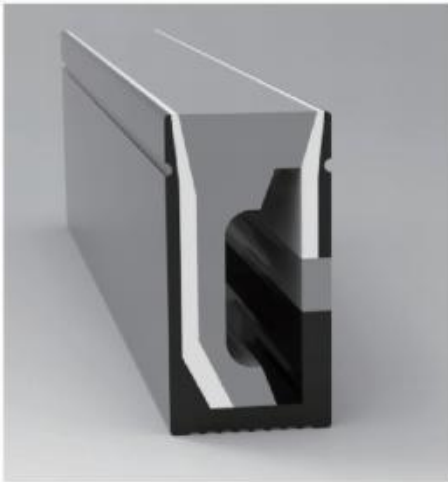


End cap no hole

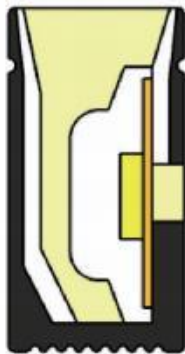


Plastic clip

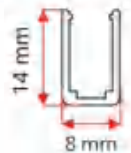
S0612 - Side View 3 Sides Black



PCB Width(mm)	8
Weight(g/m)	69
Section size(mm)	6*12
Beam angle	120°



Aluminum profile size(mm) :



Lighting Direction: Side Lighting

Cutting mark: Yes



End cap with hole

End cap no hole

Aluminum Clip

Aluminum Profile

Flexible Profile

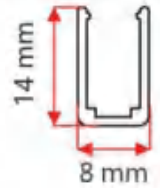
S0616 - Side View 3 Sides Black



PCB Width (mm)	8
Weight (g/m)	89
Section size (mm)	6*16
Beam angle	120°



Aluminum profile size(mm) :



Lighting Direction: Side Lighting

Cutting mark: Yes



End cap with hole

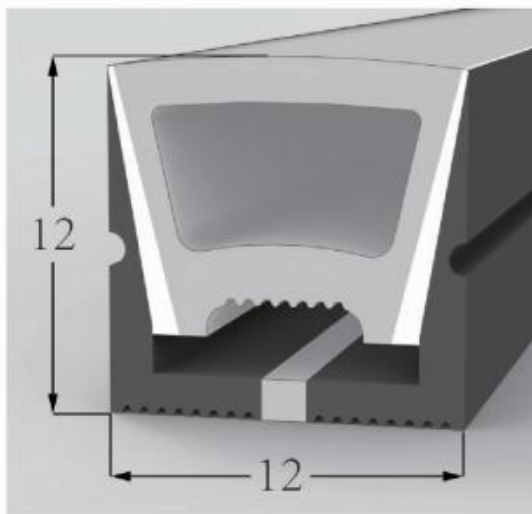
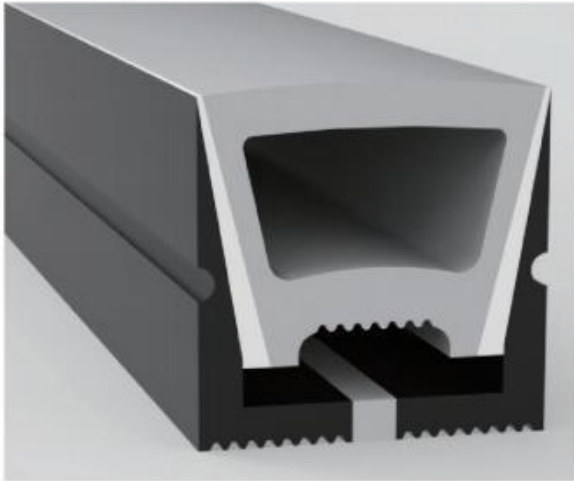
End cap no hole

Aluminum Clip

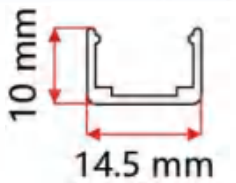
Aluminum Profile

Flexible Profile

S1212 - Top View 3 Sides Black



PCB Width(mm)	8
Weight(g/m)	126
Section size(mm)	12*12
Beam angle	120°

Aluminum profile size(mm) : 

Lighting Dairrection: Top Lighting

Cutting mark:Yes



End cap with hole

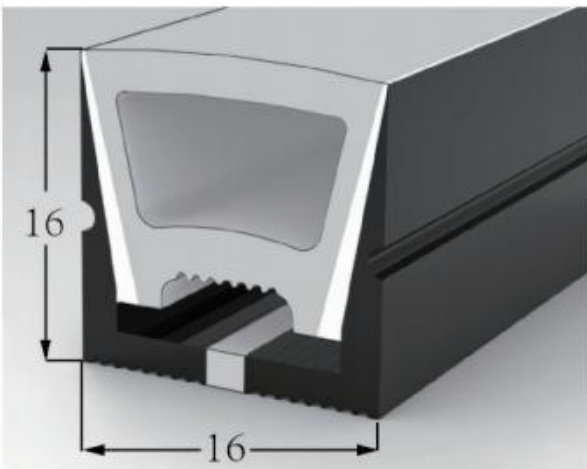
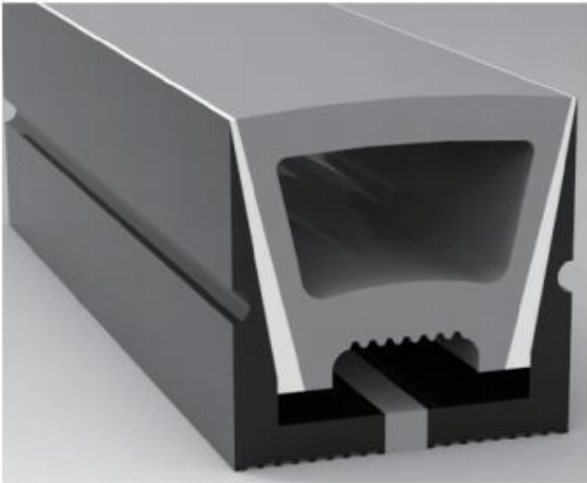
End cap no hole

Aluminum Clip

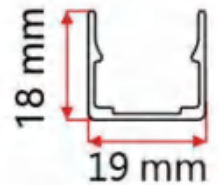
Aluminum Profile

Flexible Profile

S1616 - Top View 3 Sides Black



PCB Width(mm)	10
Weight(g/m)	197
Section size(mm)	16*16
Beam angle	120°



Aluminum profile size(mm) :

Lighting Direction: Top Lighting

Cutting mark:Yes



End cap with hole

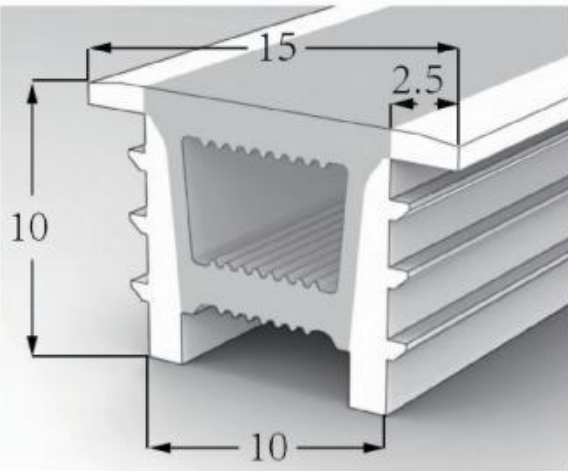
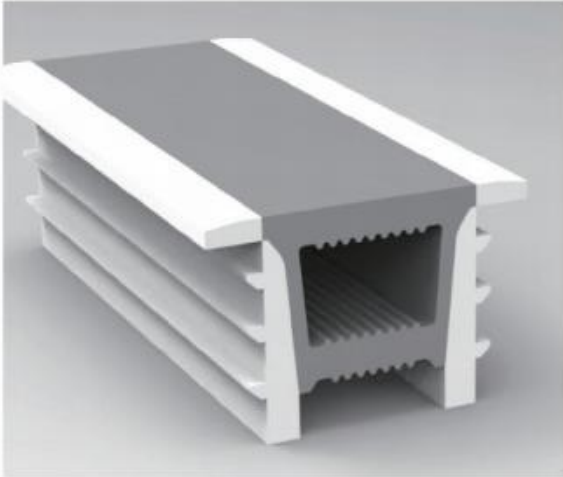
End cap no hole

Aluminum Clip

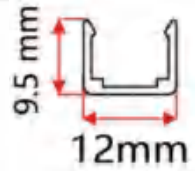
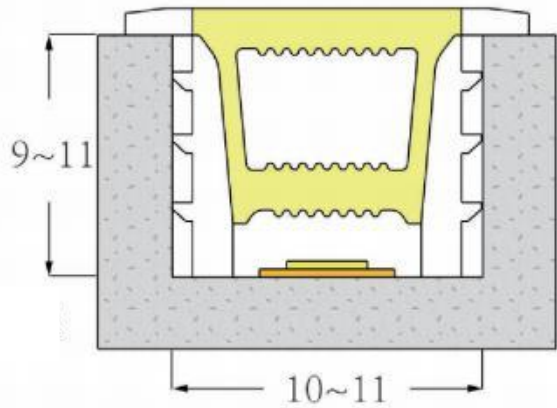
Aluminum Profile

Flexible Profile

S1010 - Top View Silicone Cover



PCB Width (mm)	5
Weight (g/m)	85
Section size (mm)	10*9
Beam angle	120°



Aluminum profile size(mm) :

Lighting Direction: Top Lighting

Cutting mark: Yes

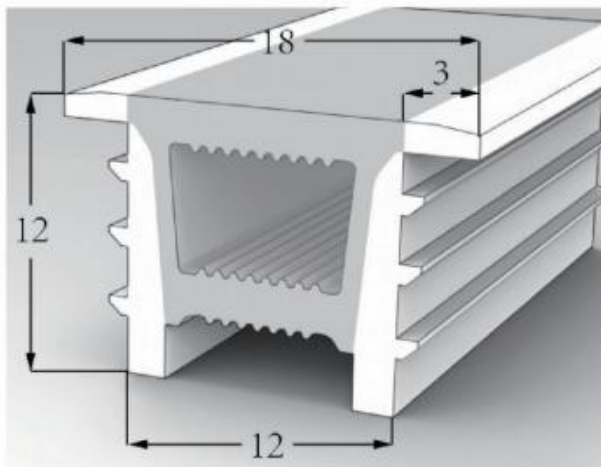
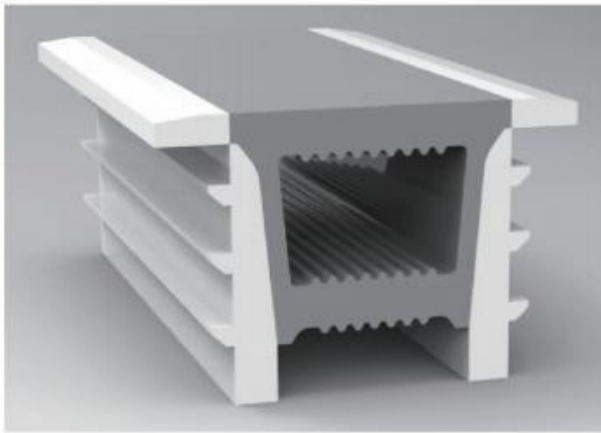


Aluminum Profile

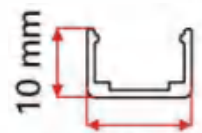
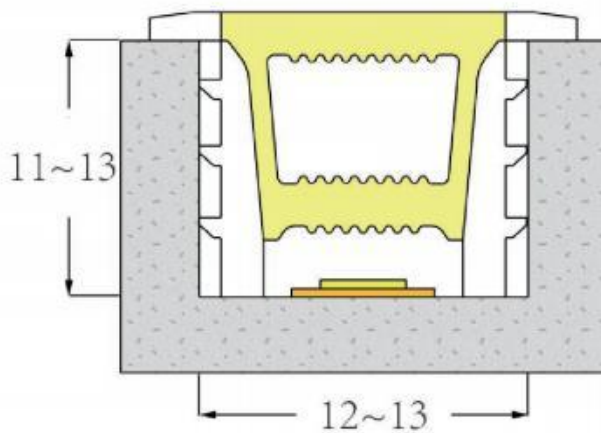
Aluminum Clip

Flexible Profile

S1212 - Top View Silicone Cover



PCB Width(mm)	8
Weight(g/m)	115
Section size(mm)	12*11
Beam angle	120°



Aluminum profile size(mm) : 10 mm x 14.5 mm

Lighting Direction: Top Lighting

Cutting mark: Yes



Aluminum Profile

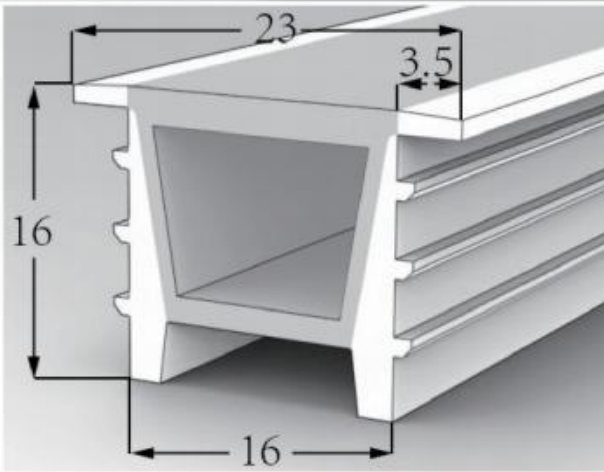
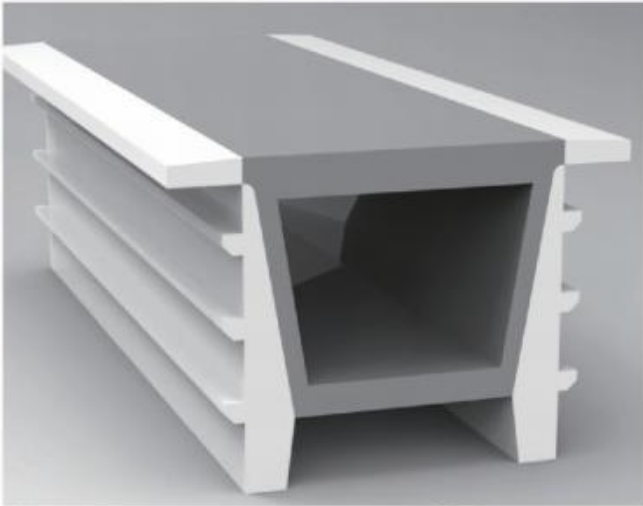


Aluminum Clip

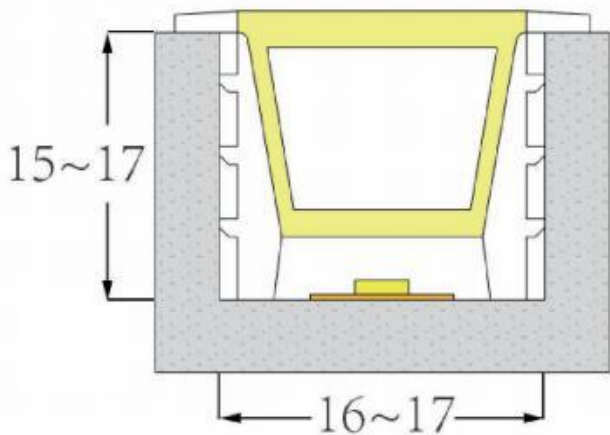


Flexible Profile

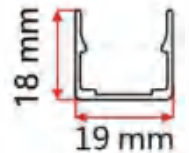
S1616 - Top View Silicone Cover



PCB Width (mm)	8/10
Weight (g/m)	151
Section size (mm)	16*15
Beam angle	120°



Aluminum profile size(mm) :



Lighting Direction: Top Lighting

Cutting mark: Yes



Aluminum Profile

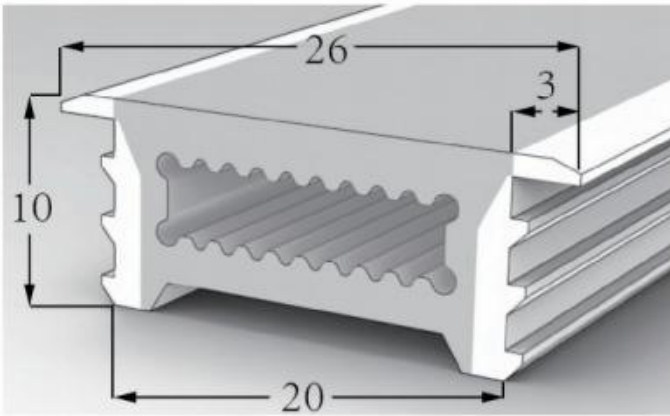
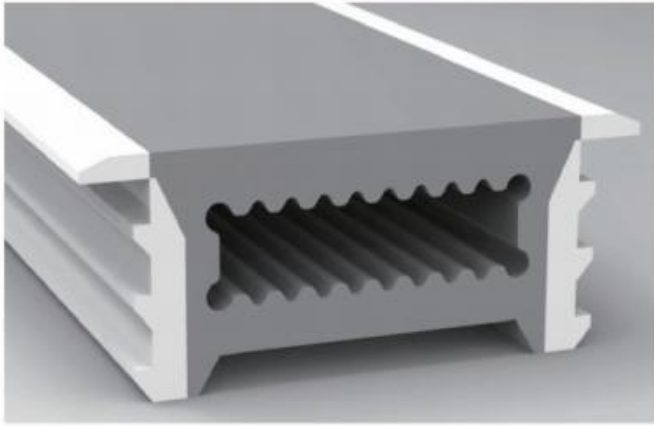


Aluminum Clip



Flexible Profile

S2010 - Top View Silicone Cover

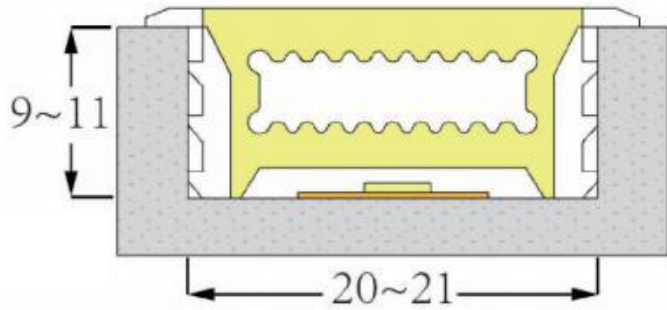


PCB Width (mm) 10

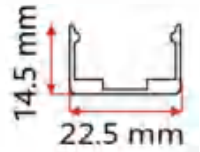
Weight (g/m) 169

Section size (mm) 20*9

Beam angle 120°



Aluminum profile size(mm) :



Lighting Direction: Top Lighting

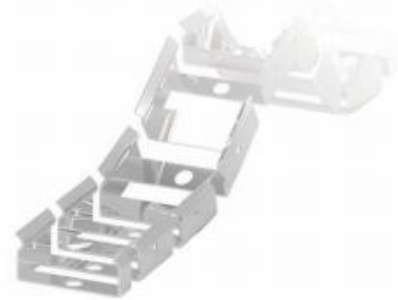
Cutting mark: Yes



Aluminum Profile

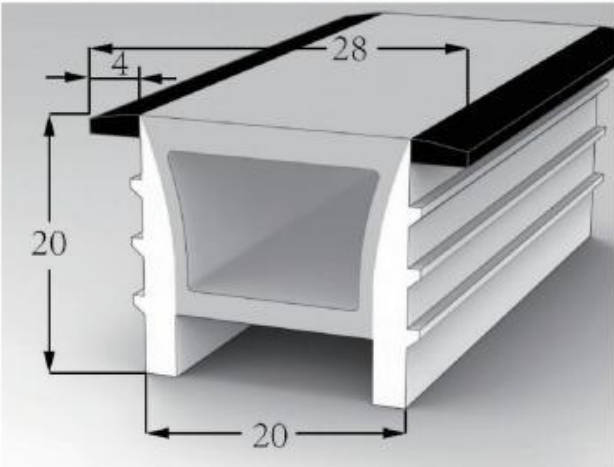


Aluminum Clip



Flexible Profile

S2020 - Top View Silicone Cover A

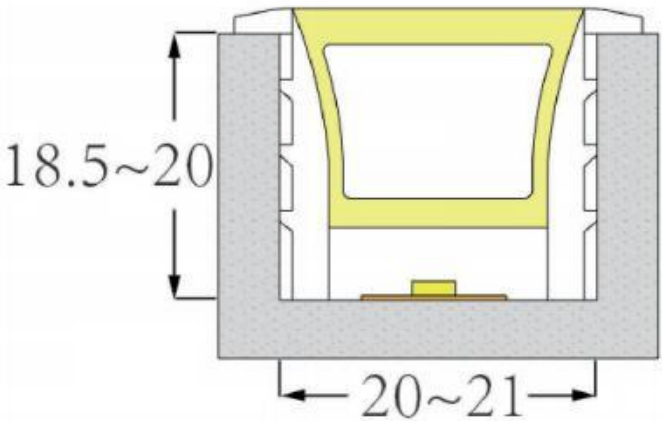


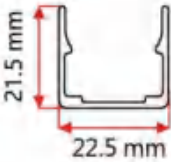
PCB Width (mm) 10/12

Weight (g/m) 213

Section size (mm) 20*19

Beam angle 120°



Aluminum profile size(mm) : 

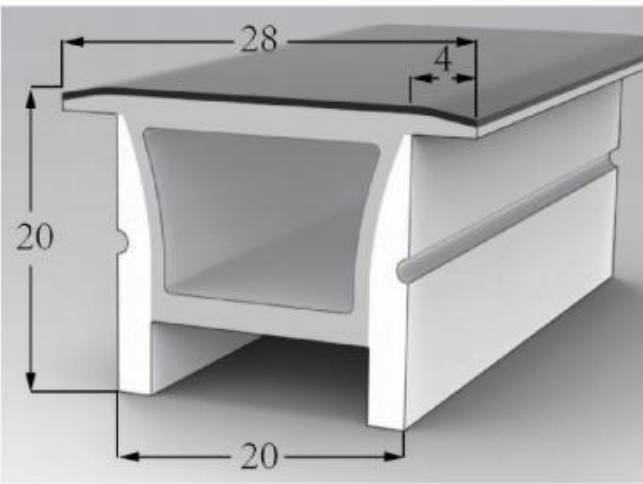
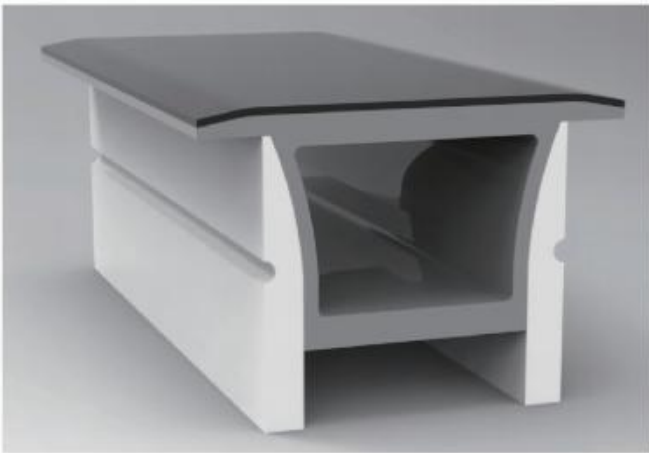
Lighting Direction: Top Lighting

Cutting mark: Yes

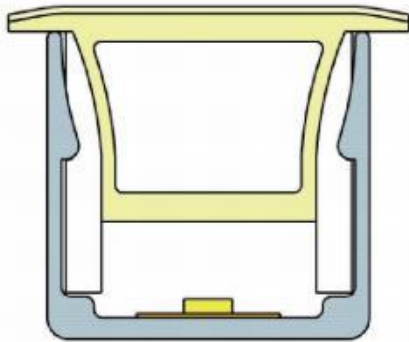


Aluminum Clip Aluminum Profile Flexible Profile

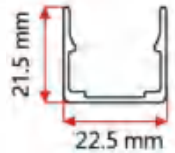
S2020 - Top View Silicone Cover B



PCB Width (mm)	10/12
Weight (g/m)	241
Section size (mm)	20*19
Beam angle	120°



Aluminum profile size(mm) :



Lighting Direction: Top Lighting

Cutting mark: Yes

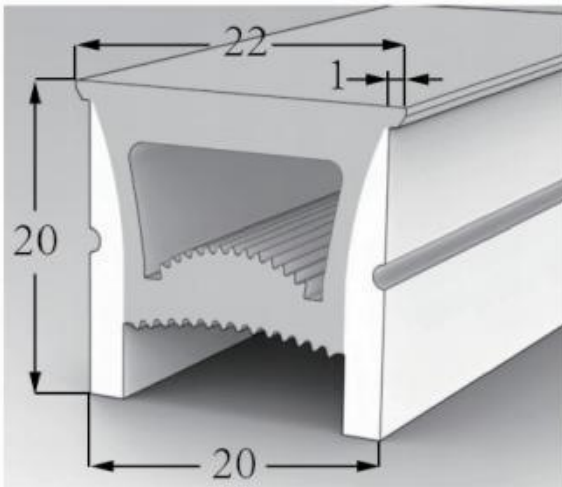
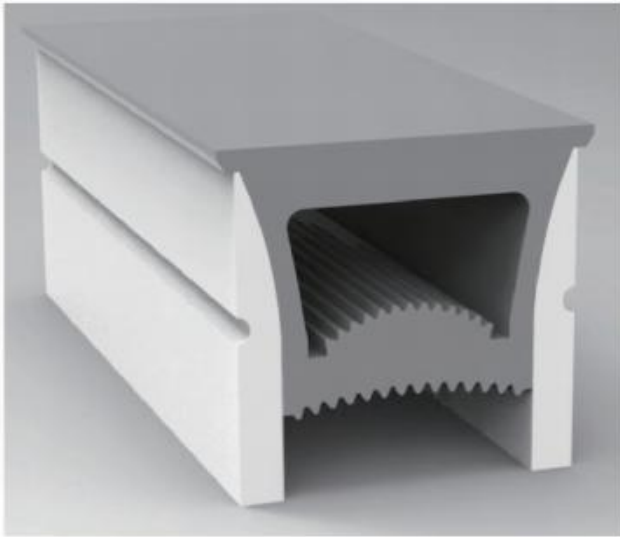


Aluminum Clip

Aluminum Profile

Flexible Profile

S2020 - Top View Silicone Cover C



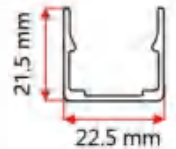
PCB Width (mm) 12

Weight (g/m) 284

Section size (mm) 20*20

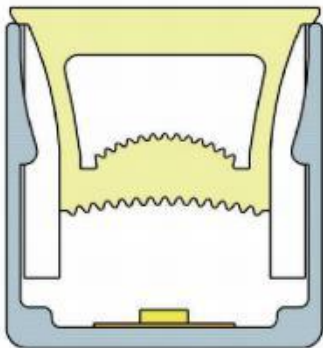
Beam angle 120°

Aluminum profile size(mm) :



Lighting Direction: Top Lighting

Cutting mark: Yes

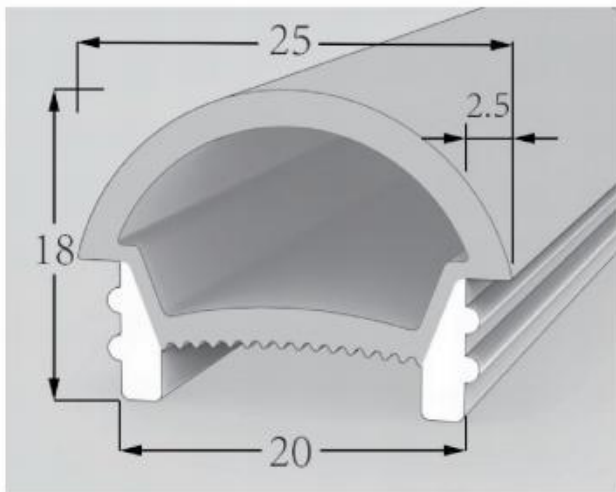
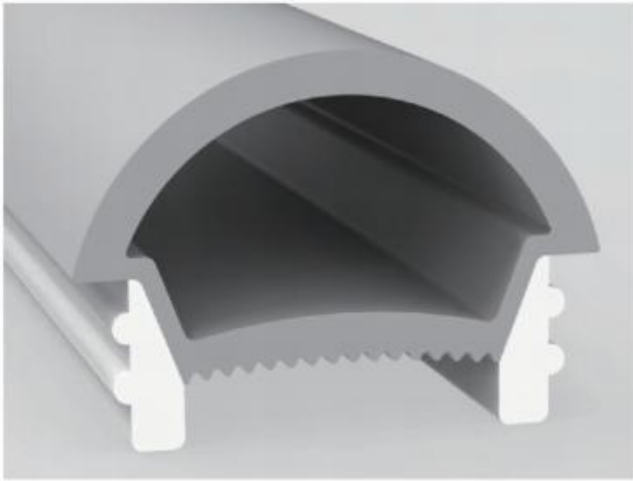


Aluminum Clip

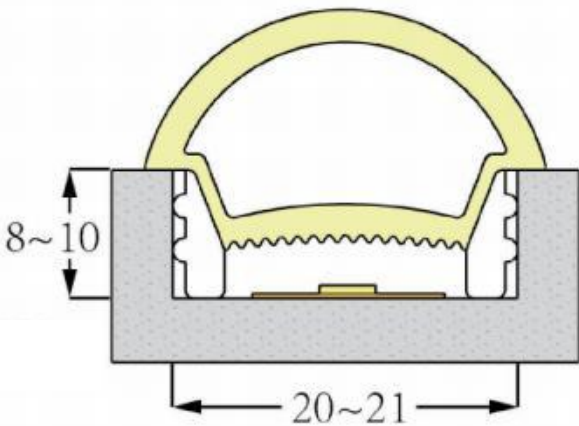
Aluminum Profile


Flexible Profile

S2018 - Top View Silicone Cover D



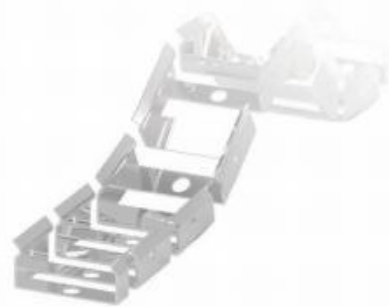
PCB Width (mm)	12
Weight (g/m)	213
Section size (mm)	20*19
Beam angle	120°



Aluminum profile size(mm) :  14.5 mm
22.5 mm

Lighting Direction: Top Lighting

Cutting mark: Yes

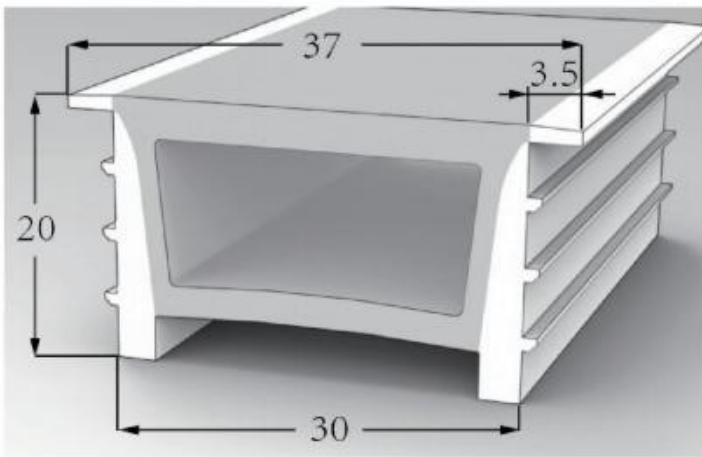
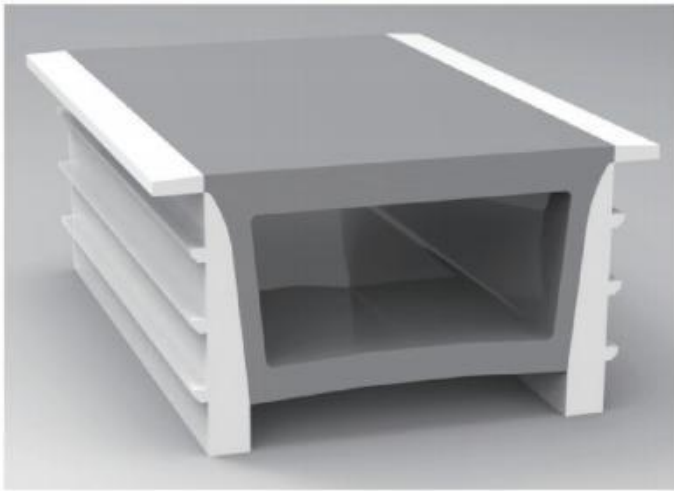


Aluminum Profile

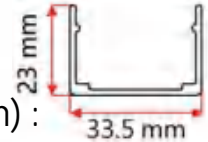
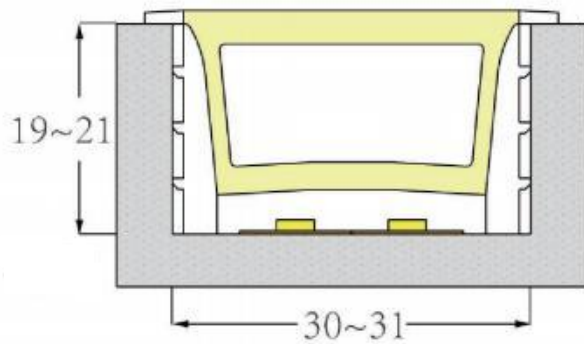
Aluminum Clip

Flexible Profile

S3020 - Top View Silicone Cover A



PCB Width (mm)	15
Weight (g/m)	373
Section size (mm)	30*19
Beam angle	120°



Aluminum profile size(mm) :
Colour: White Side/Black Side

Lighting Direction: Top Lighting
Cutting mark: Yes



Aluminum Profile

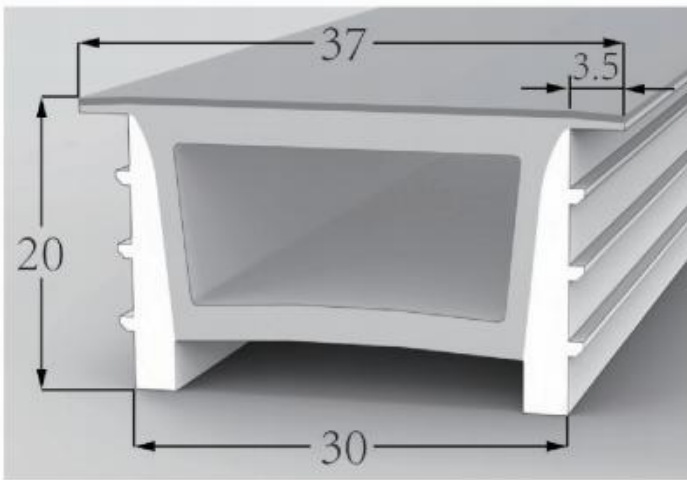
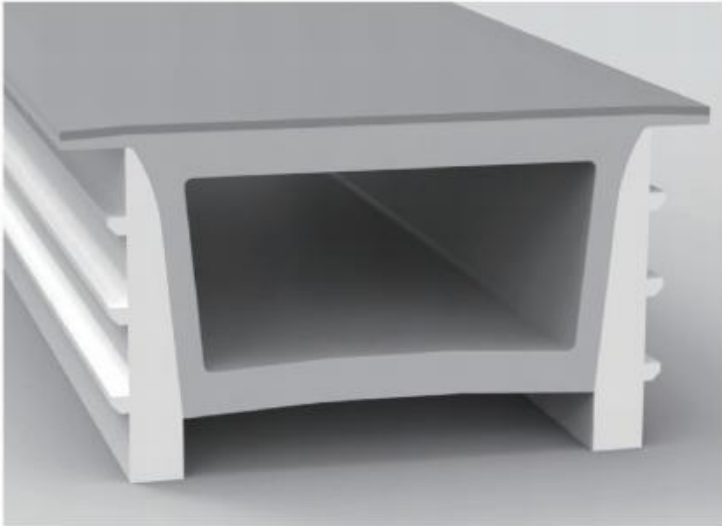


Aluminum Clip

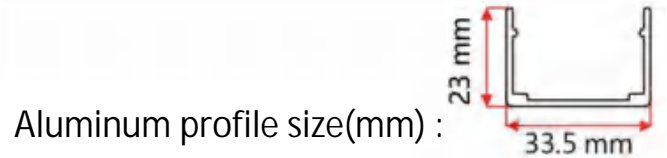
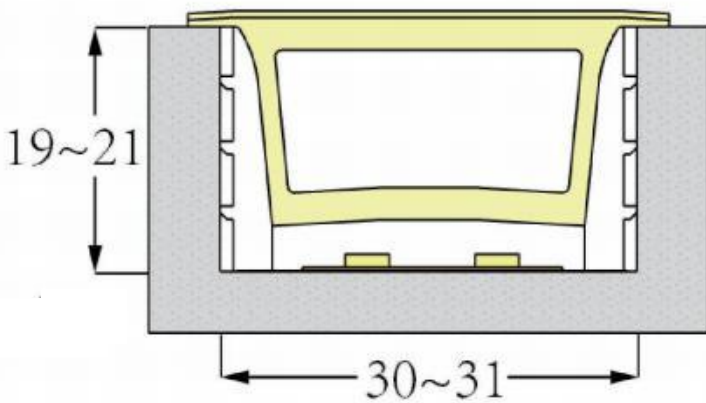


Flexible Profile

S3020 - Top View Silicone Cover B



PCB Width (mm)	15
Weight (g/m)	373
Section size (mm)	30*19
Beam angle	120°



Aluminum profile size(mm) :

Lighting Direction: Top Lighting
Lighting Area Color : Black / Grey

Cutting mark: Yes



Aluminum Profile

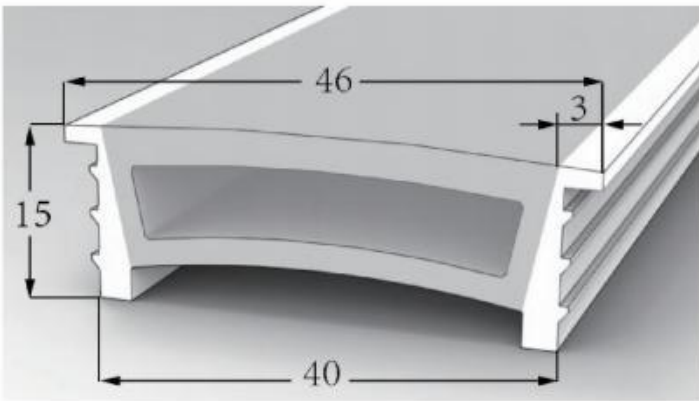
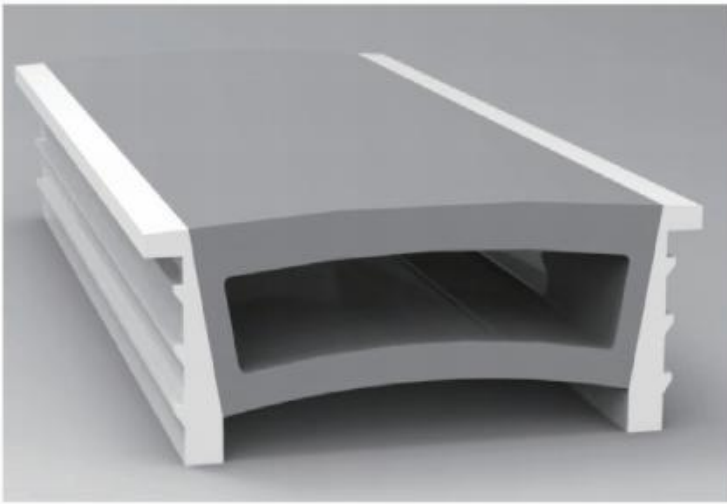


Aluminum Clip

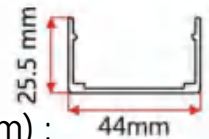
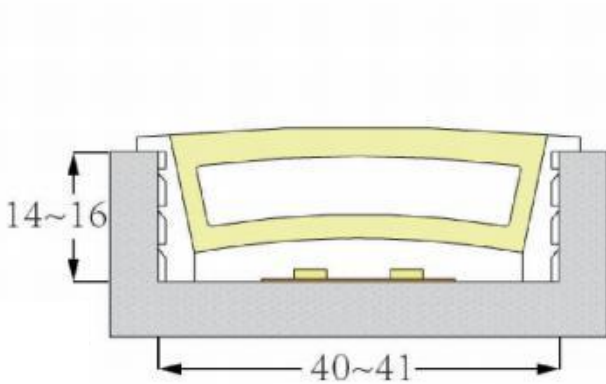


Flexible Profile

S4015 - Top View Silicone Cover



PCB Width (mm)	15/20
Weight (g/m)	388
Section size (mm)	40*14
Beam angle	120°



Aluminum profile size(mm) :
Lighting Direction: Top Lighting

Cutting mark: Yes



Aluminum Profile

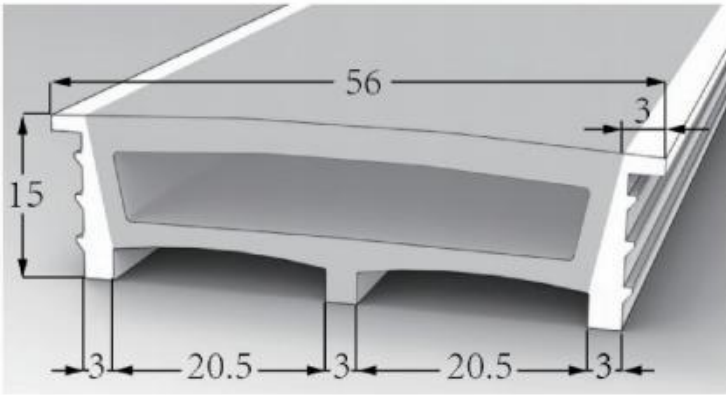
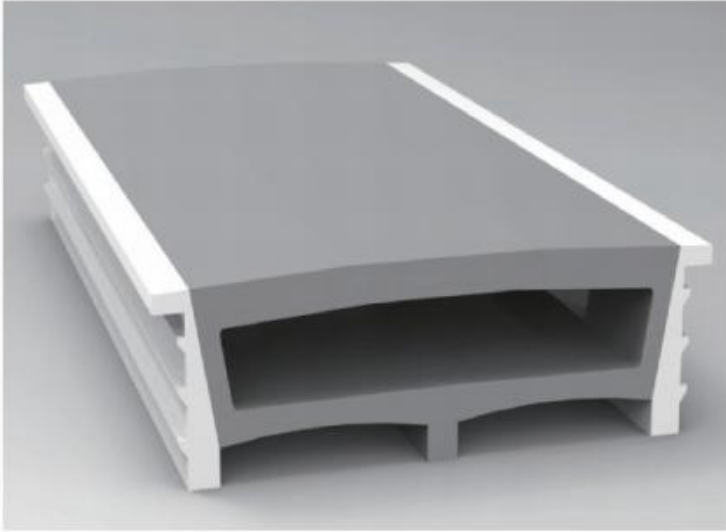


Aluminum Clip

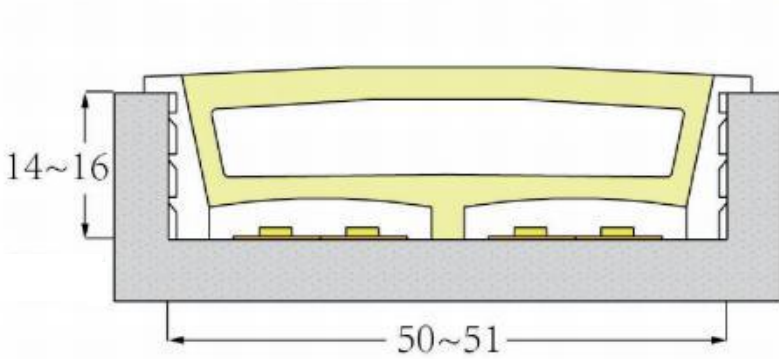


Flexible Profile

S5015 - Top View Silicone Cover



PCB Width (mm)	15/20
Weight (g/m)	488
Section size (mm)	50*14
Beam angle	120°



Aluminum profile size(mm) : 27 mm x 54 mm
 Lighting Direction: Top Lighting

Cutting mark: Yes



Aluminum Profile

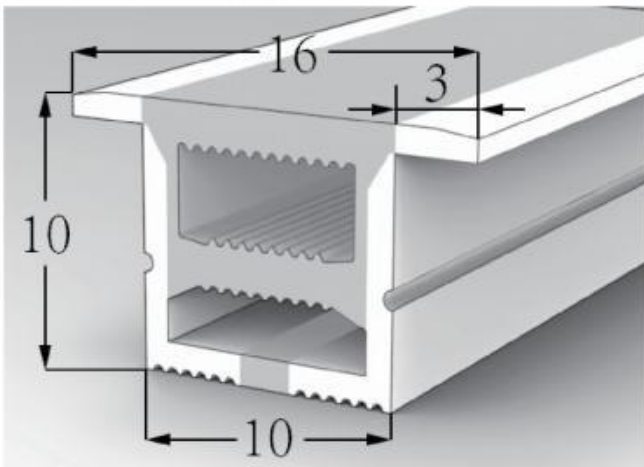
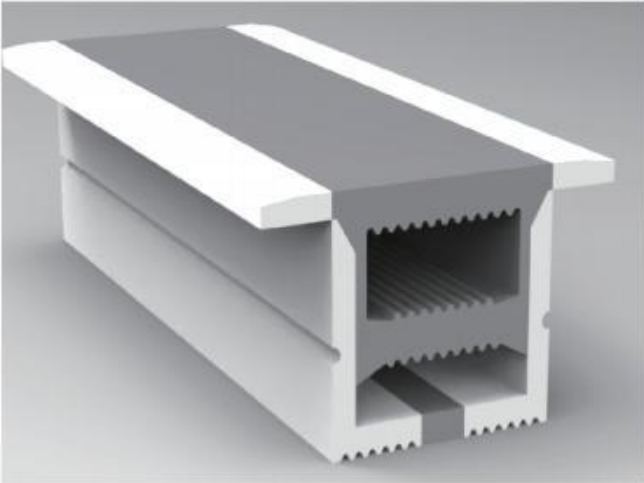


Aluminum Clip

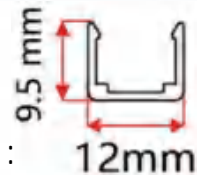
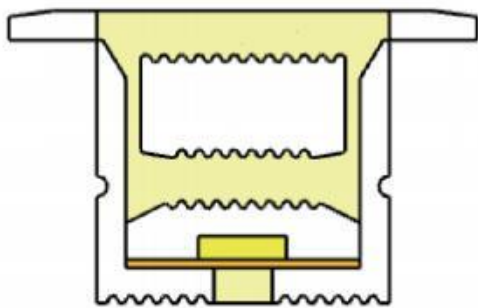


Flexible Profile

S1010 - Top View with white wings



PCB Width (mm)	5
Weight (g/m)	93
Section size (mm)	10*9
Beam angle	120°



Aluminum profile size(mm) : 12mm

Lighting Direction: Top Lighting

Cutting mark:Yes

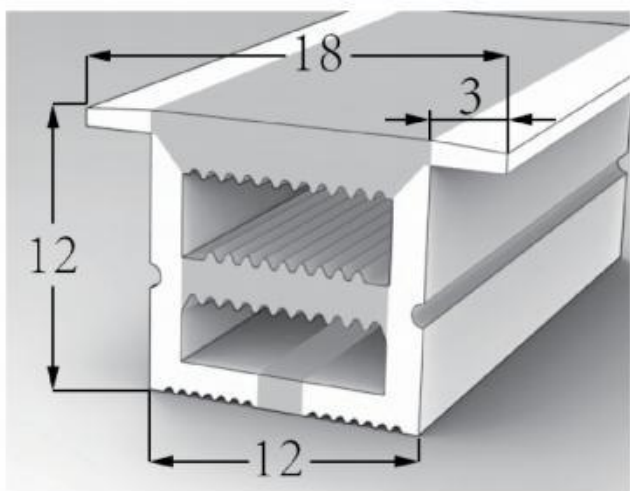
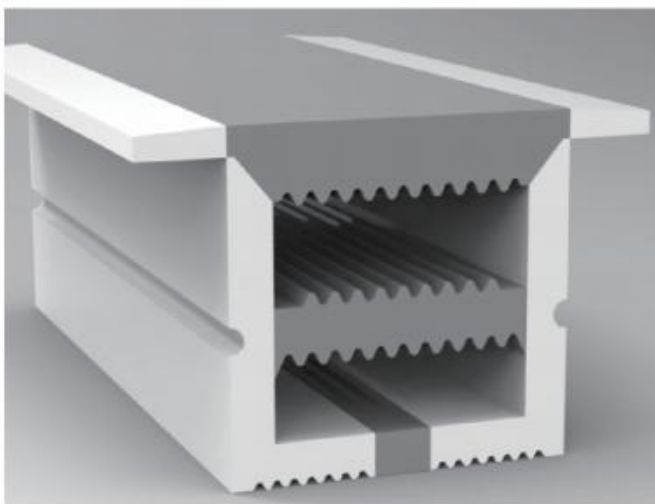


Aluminum Clip

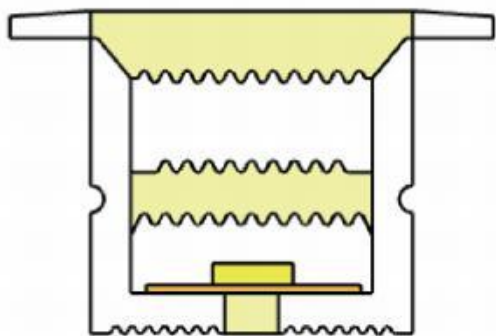


Aluminum Profile

S1212 - Top View with white wings



PCB Width(mm)	8
Weight(g/m)	126
Section size(mm)	12*11
Beam angle	120°



Aluminum profile size(mm) : 10 mm x 14.5 mm
 Lighting Dairction: Top Lighting

Cutting mark:Yes



Aluminum Clip

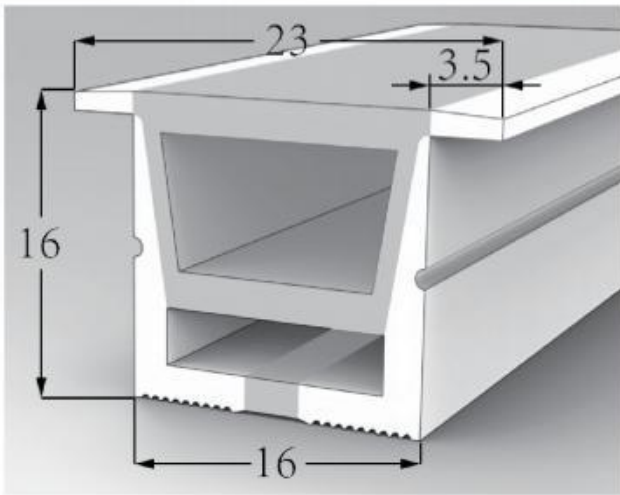
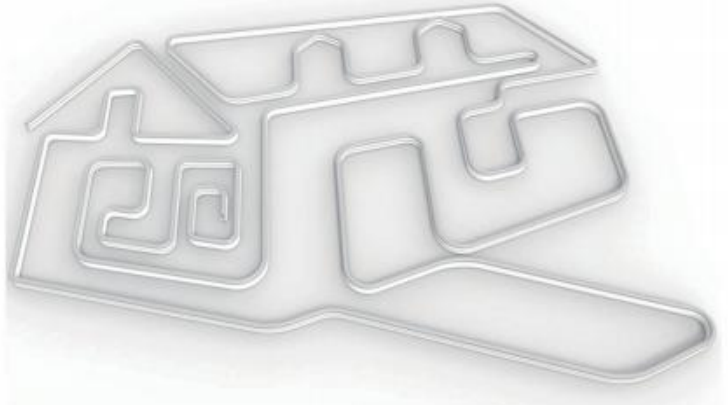
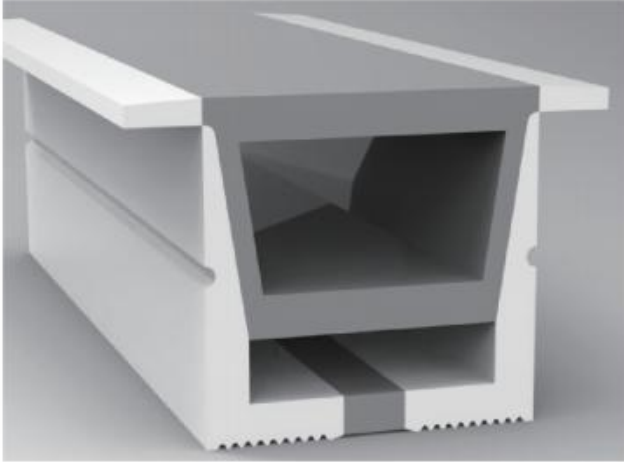


Aluminum Profile

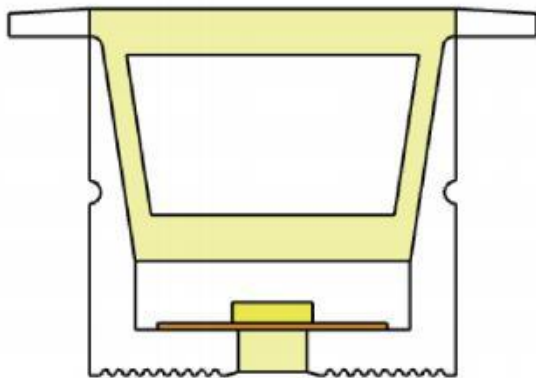


Flexible Profile

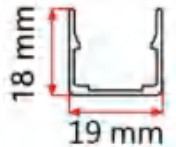
S1616 - Top View with white wings



PCB Width(mm)	10
Weight(g/m)	179
Section size(mm)	16*15
Beam angle	120°



Aluminum profile size(mm) :

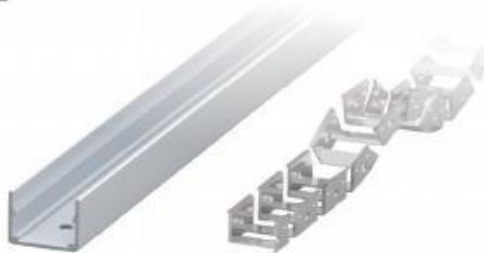


Lighting Direction: Top Lighting

Cutting mark:Yes



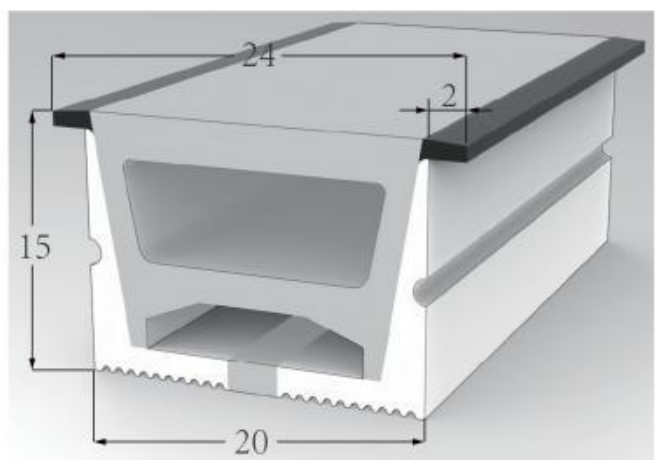
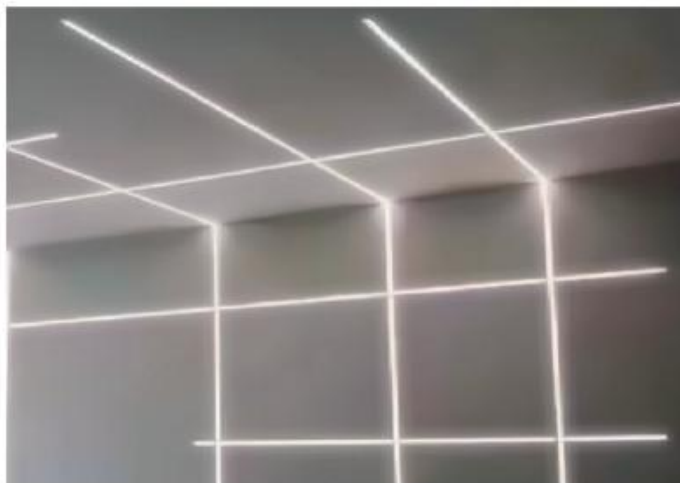
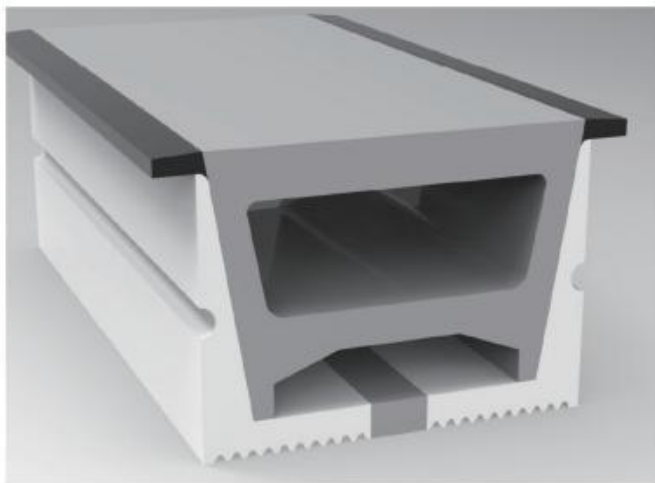
Aluminum Clip



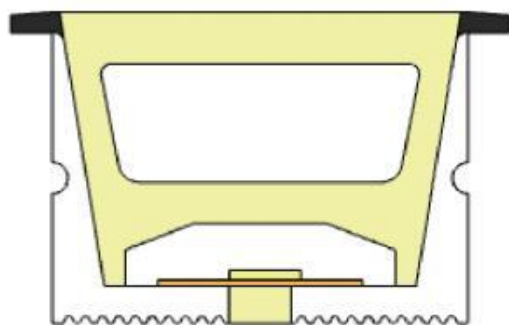
Aluminum Profile

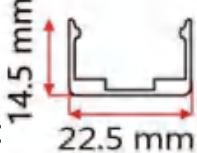
Flexible Profile

S2014- Top View with black wings



PCB Width(mm)	10
Weight(g/m)	280
Section size(mm)	20*14
Beam angle	120°



Aluminum profile size(mm) :  14.5 mm x 22.5 mm

Top Lighting

Cutting mark:Yes



Aluminum Clip

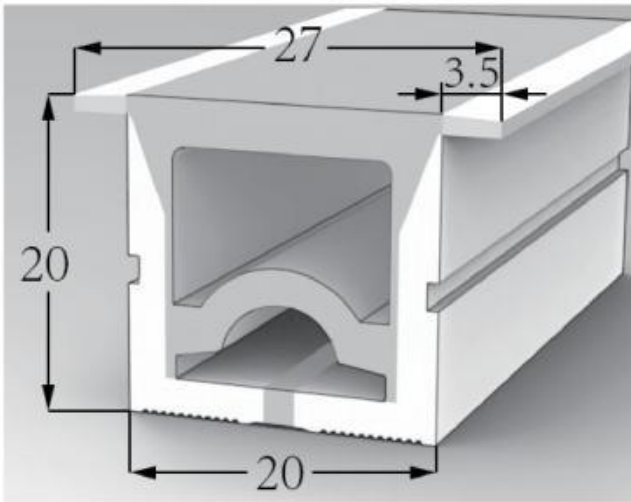
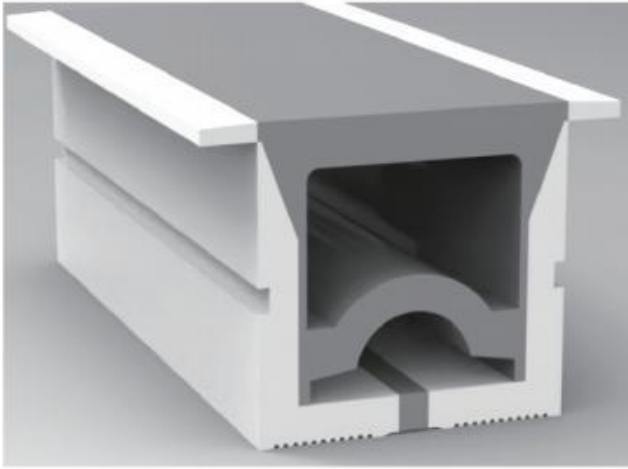


Aluminum Profile



Flexible Profile

S2020 - Top View with white wings



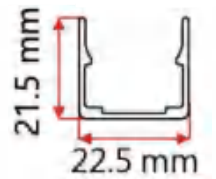
PCB Width(mm) 10/12

Weight(g/m) 306

Section size(mm) 20*19

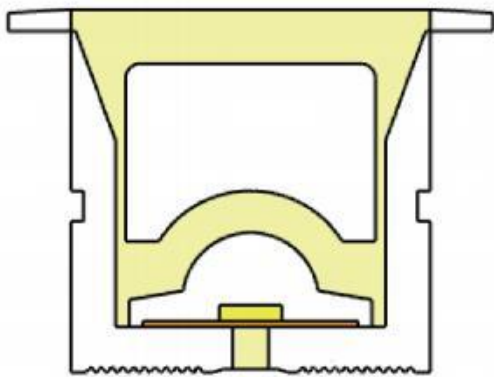
Beam angle 120°

Aluminum profile size(mm) :



Lighting Direction: Top Lighting

Cutting mark:Yes



Aluminum Clip

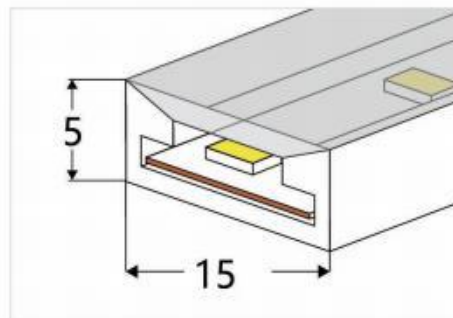
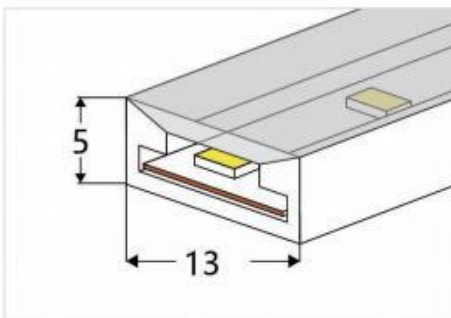
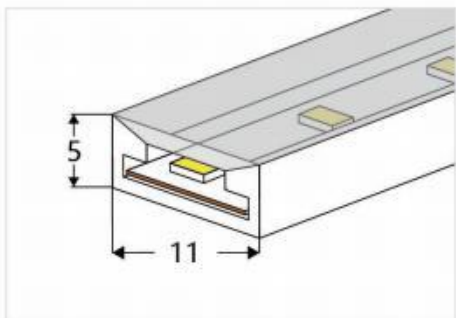


Aluminum Profile

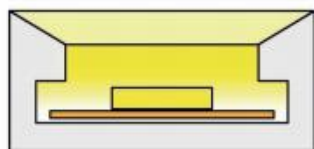


Flexible Profile

S0511 S0513 S0515 - TOP View series



PCB Width(mm)	8	10	12
Weight(g/m)	45	55	60
Section size(mm)	5*11	5*13	5*15
Beam angle	120°	120°	120°



Top Lighting



End cap with hole



End cap no hole



0511/0513

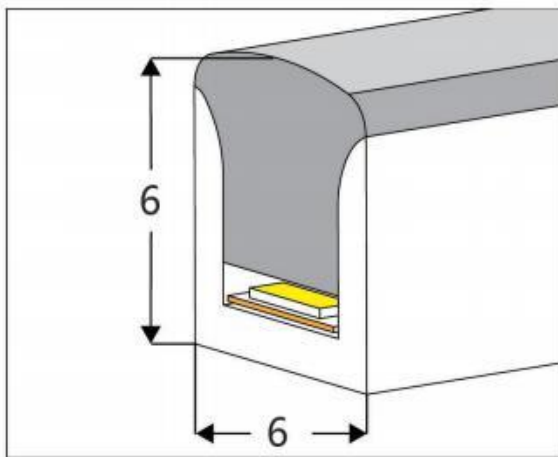
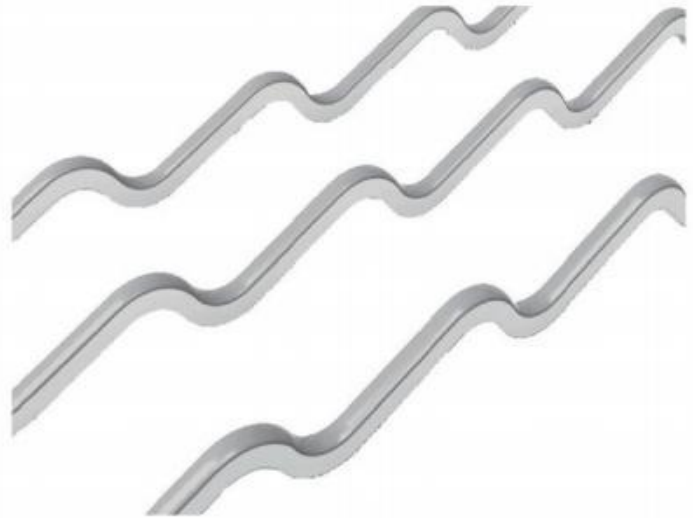
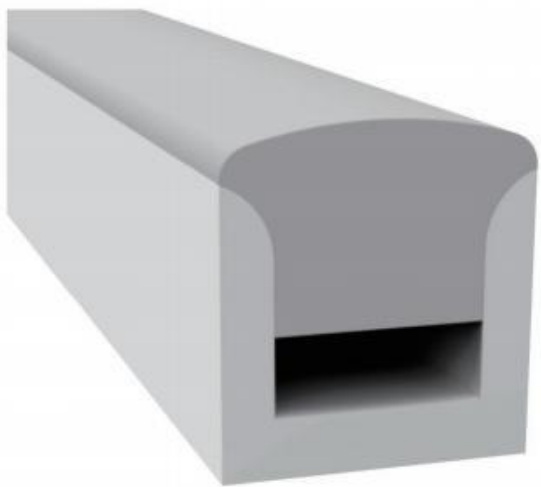
Plastic clip



0515

Plastic clip

S0606 - TOP View series



PCB Width (mm)	3
Weight (g/m)	39
Section size (mm)	6*6
Beam angle	180°



Top Lighting



End cap with hole

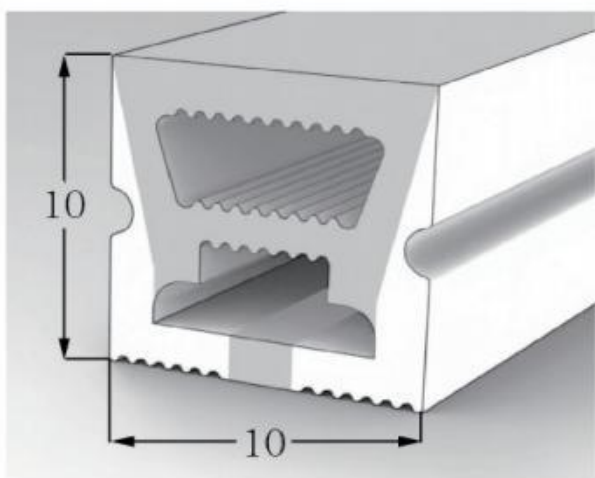
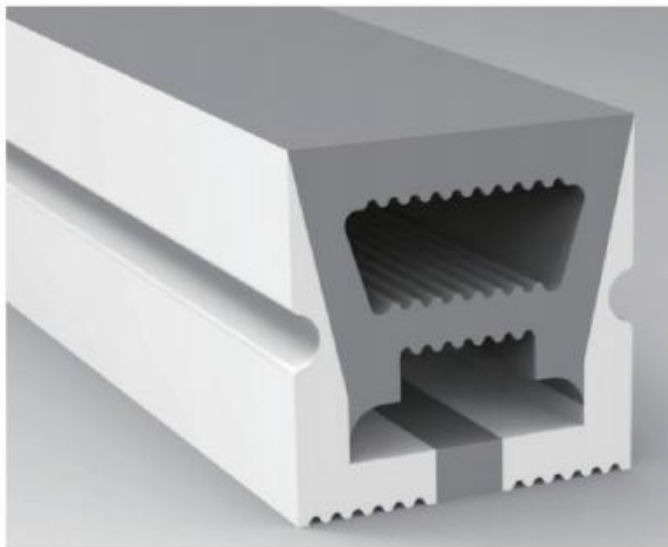


End cap no hole



3M Tape

S1010 - TOP View series A

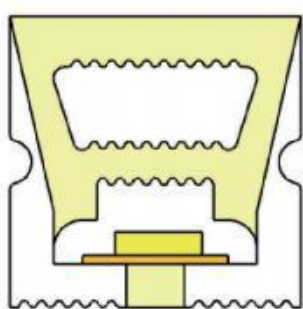


PCB Width(mm) 5

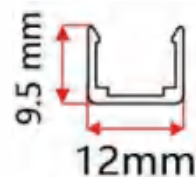
Weight(g/m) 85

Section size(mm) 10*10

Beam angle 120°

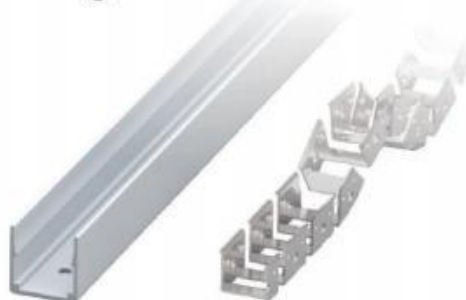


Aluminum profile size(mm) :



Lighting Direction: sides Lighting

Cutting Mark Yes



End cap with hole

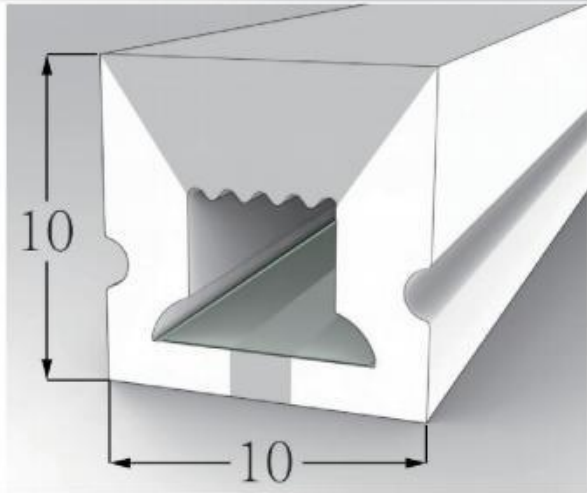
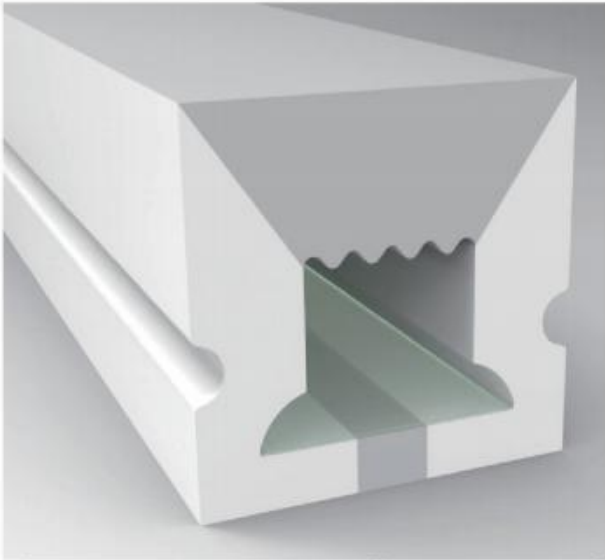
End cap no hole

Aluminum Clip

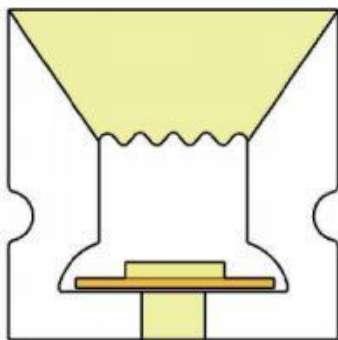
Aluminum Profile

Flexible Profile

S1010 - TOP View series B - with anti break plate



PCB Width(mm)	5/6
Weight(g/m)	110
Section size(mm)	10*10
Beam angle	120°



Lighting Direction: sides Lighting

Cutting Mark Yes



End cap with hole

End cap no hole



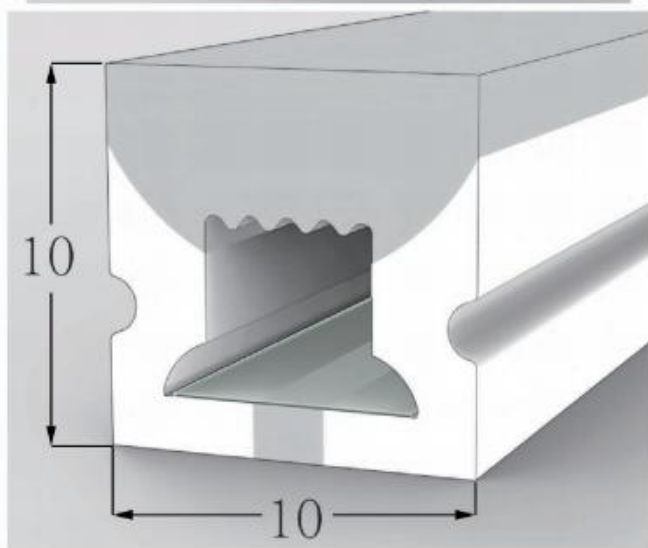
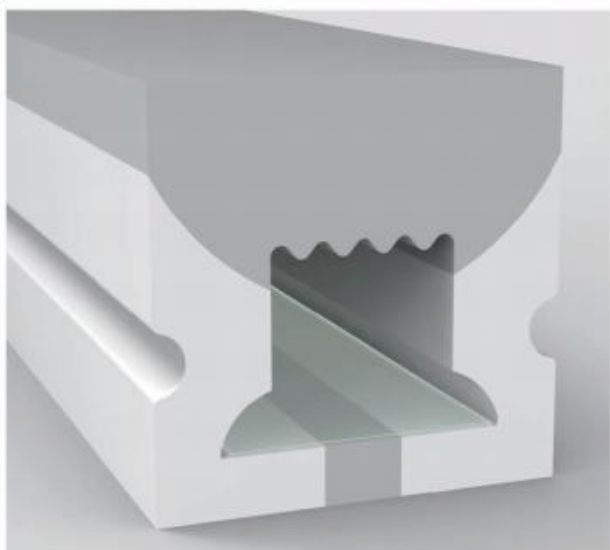
Aluminum Clip



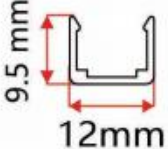
Aluminum Profile

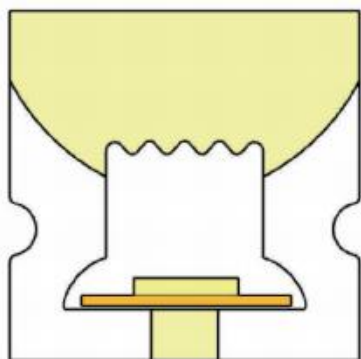
Flexible Profile

S1010 - TOP View series C - with anti break plate

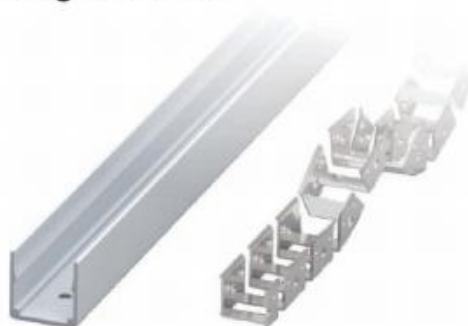


PCB Width(mm)	5/6
Weight(g/m)	107
Section size(mm)	10*10
Beam angle	180°

Aluminum Profile size(mm) 



Lighting Direction: 3 sides Top Lighting
Cutting Mark Yes



End cap with hole

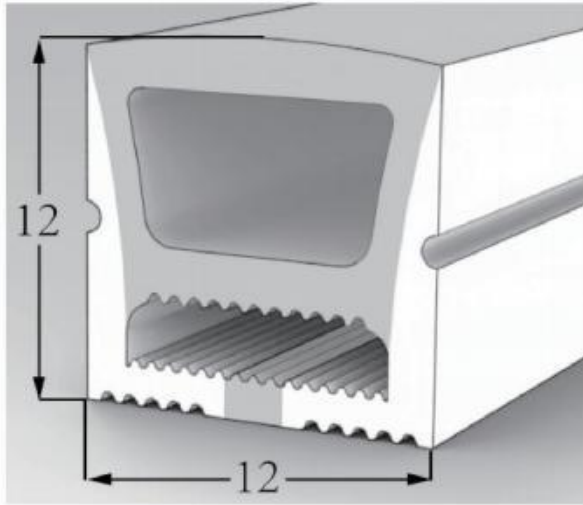
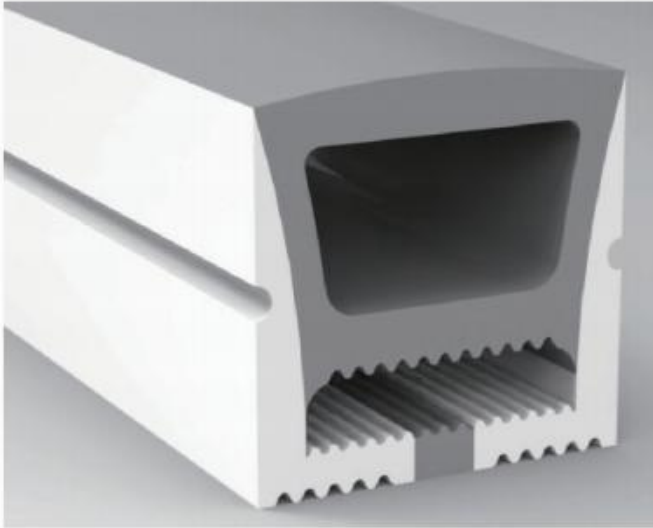
End cap no hole

Aluminum Clip

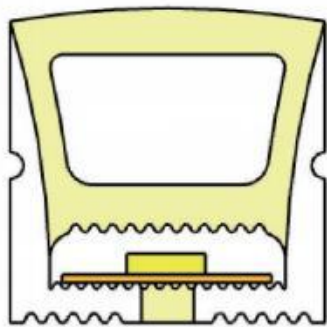
Aluminum Profile

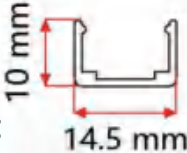
Flexible Profile

S1212 - TOP View series A



PCB Width(mm)	8
Weight(g/m)	111
Section size(mm)	12*12
Beam angle	120°



Aluminum profile size(mm) :  10 mm x 14.5 mm

Top Lighting

Cutting mark:Yes

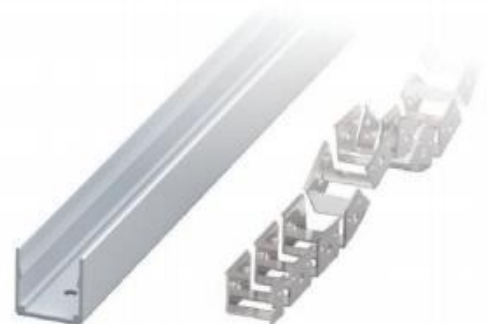


End cap with hole

End cap no hole



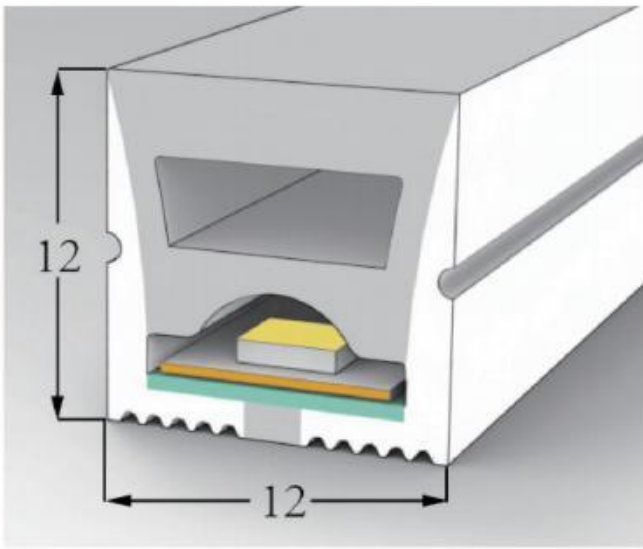
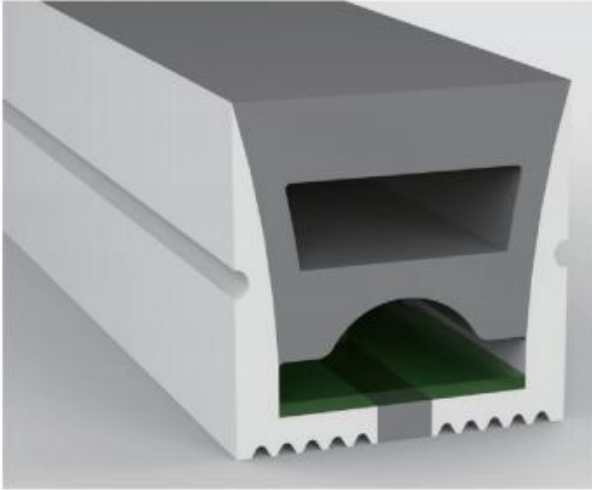
Aluminum Clip



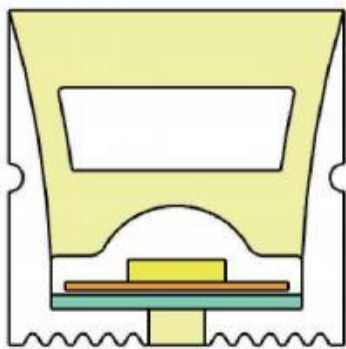
Aluminum Profile

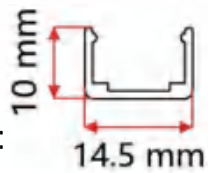
Flexible Profile

S1212 - TOP View series B - with anti break plate



PCB Width(mm)	8
Weight(g/m)	131
Section size(mm)	12*12
Beam angle	120°



Aluminum profile size(mm) : 

Top Lighting

Cutting mark:Yes



End cap with hole

End cap no hole



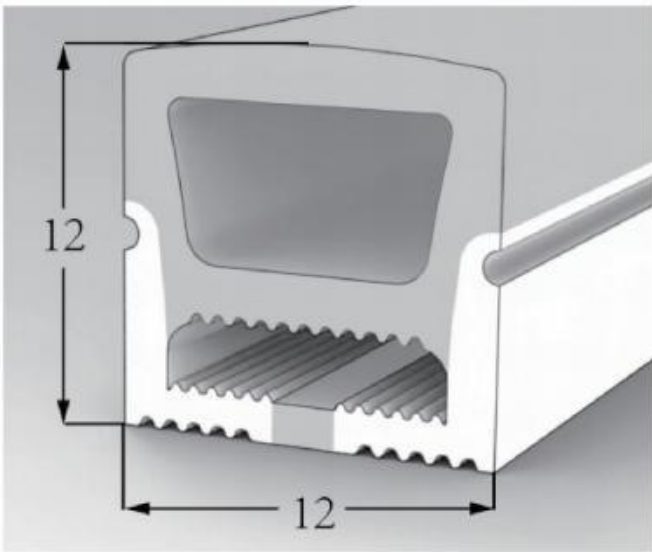
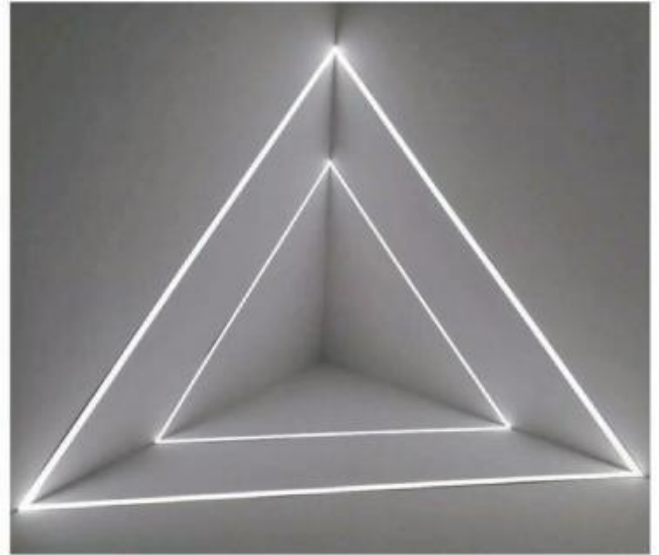
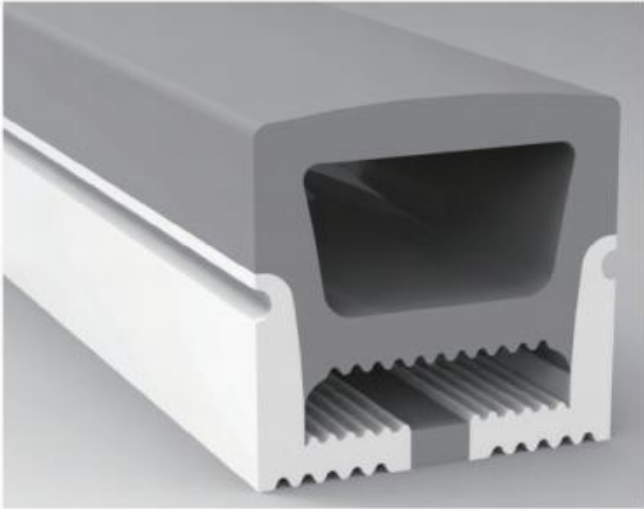
Aluminum Clip



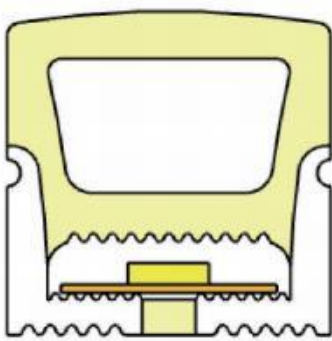
Aluminum Profile

Flexible Profile

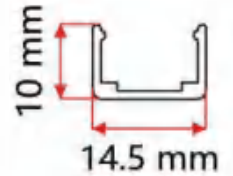
S1212 - TOP View series C



PCB Width(mm)	8
Weight(g/m)	104
Section size(mm)	12*12
Beam angle	180°



Aluminum profile size(mm) :



Lighting Direction: 3 sides Top Lighting

Cutting mark:Yes



End cap with hole

End cap no hole



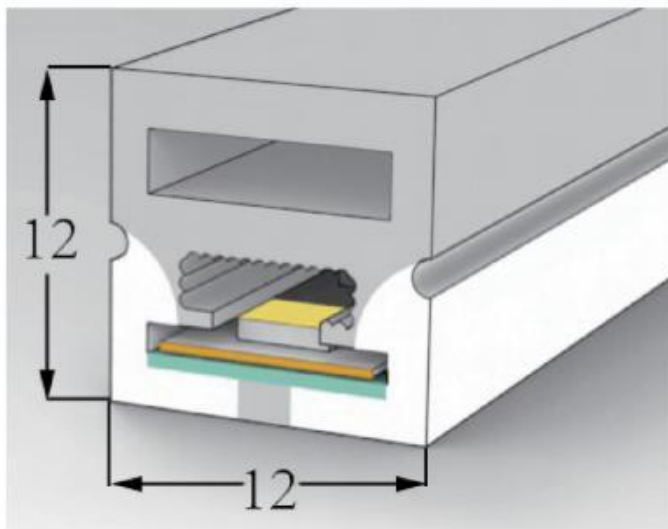
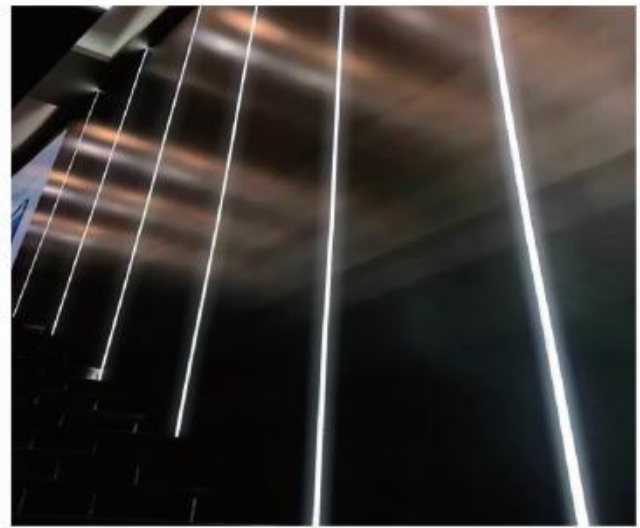
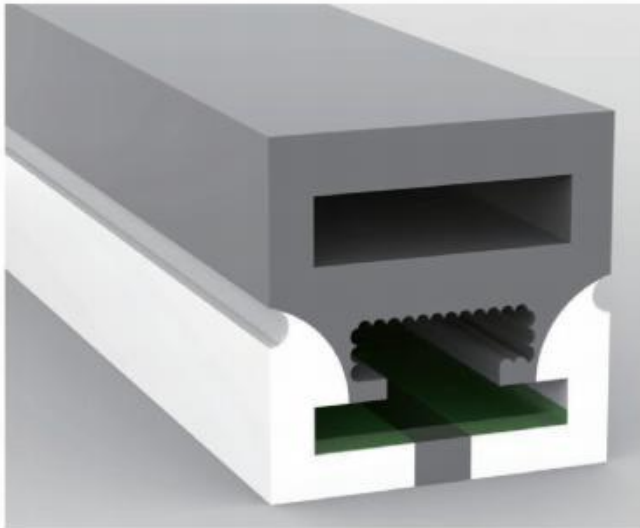
Aluminum Clip



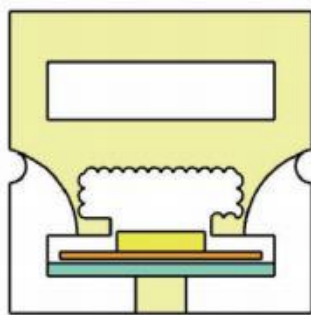
Aluminum Profile

Flexible Profile

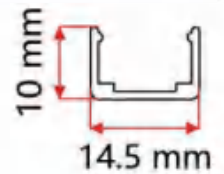
S1212 - TOP View series D - with anti break plate



PCB Width(mm)	8
Weight(g/m)	134
Section size(mm)	12*12
Beam angle	180°



Aluminum profile size(mm) :



Lighting Direction: 3 sides Top Lighting

Cutting mark:Yes



End cap with hole

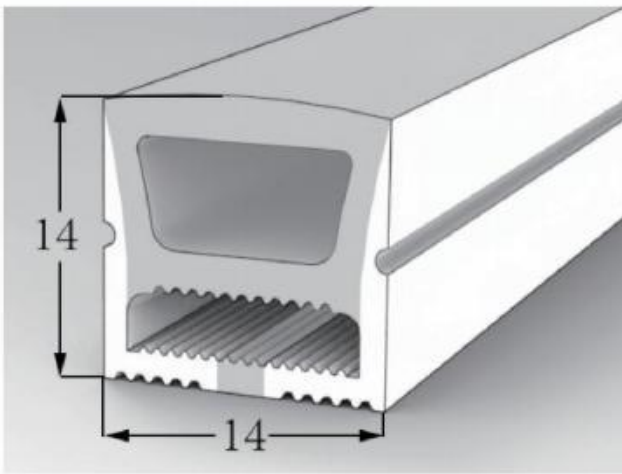
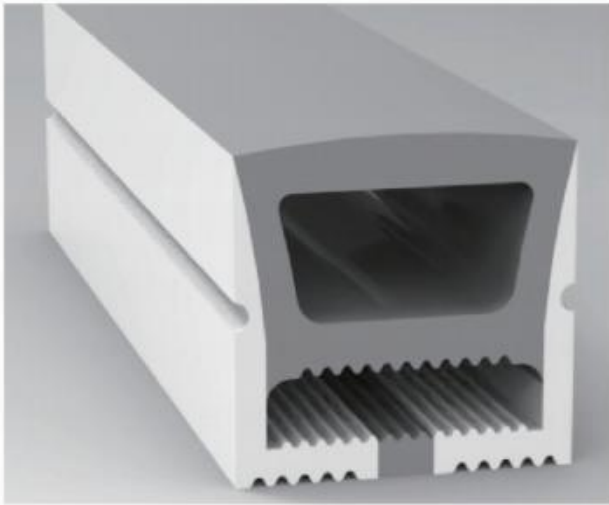
End cap no hole

Aluminum Clip

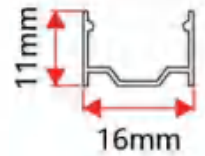
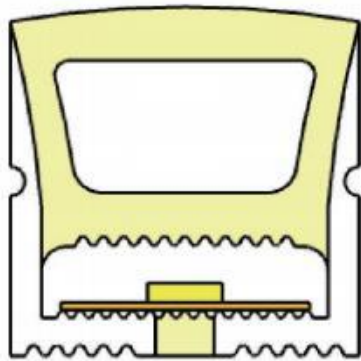
Aluminum Profile

Flexible Profile

S1414 - TOP View series A



PCB Width(mm)	10
Weight(g/m)	141
Section size(mm)	14*14
Beam angle	120°



Aluminum profile size(mm) :

Top Lighting

Cutting mark:Yes



End cap with hole

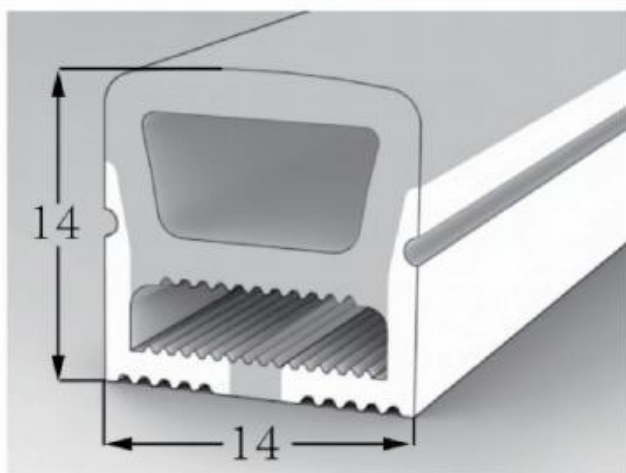
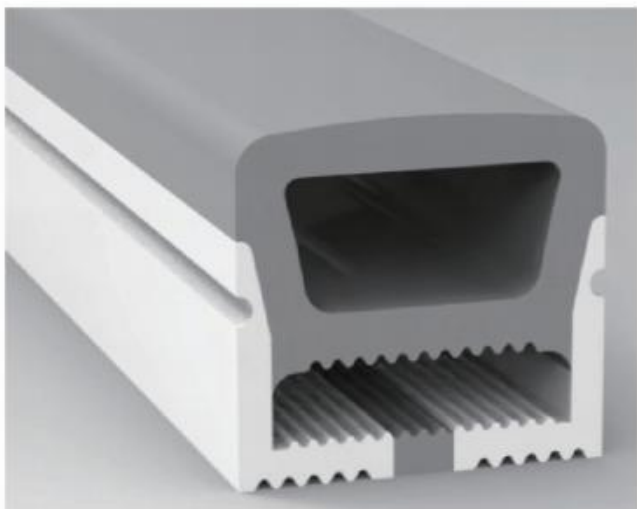
End cap no hole



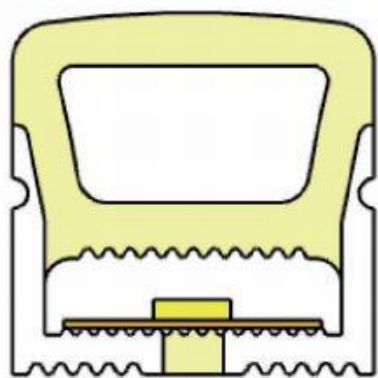
Aluminum Clip

Aluminum Profile

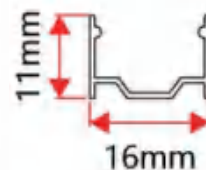
S1414 - TOP View series B



PCB Width(mm)	10
Weight(g/m)	146
Section size(mm)	14*14
Beam angle	180°



Aluminum profile size(mm) :



Lighting Direction: 3 sides Top Lighting

Cutting mark:Yes



End cap with hole

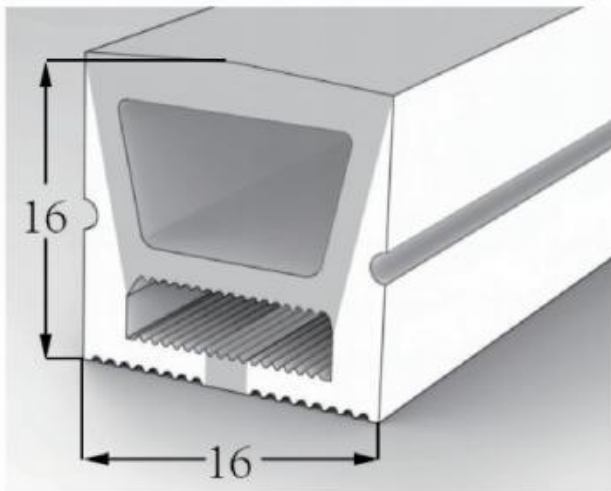
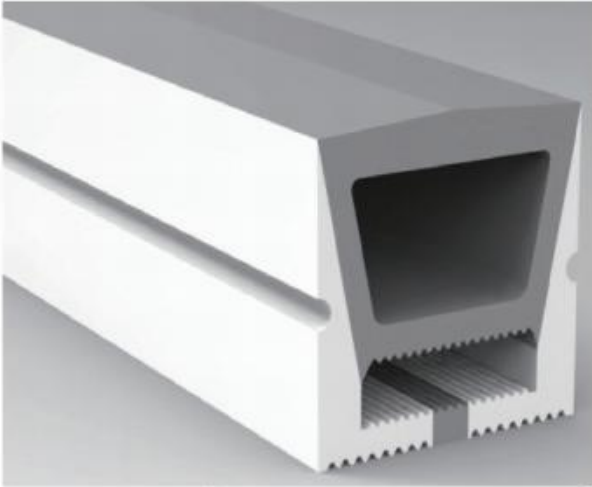
End cap no hole



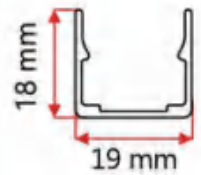
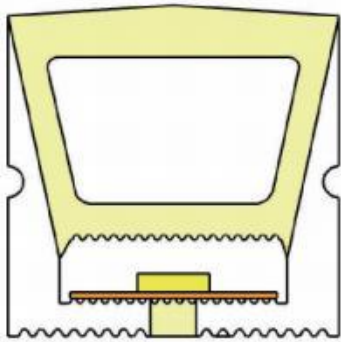
Aluminum Clip

Aluminum Profile

S1616 - TOP View series A



PCB Width(mm)	10
Weight(g/m)	185
Section size(mm)	16*16
Beam angle	120°



Aluminum profile size(mm) :

Lighting Direction: Top Lighting

Cutting mark:Yes

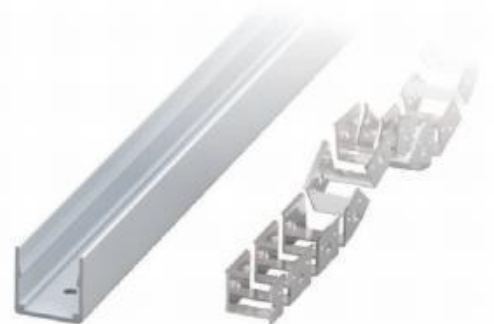


End cap with hole

End cap no hole



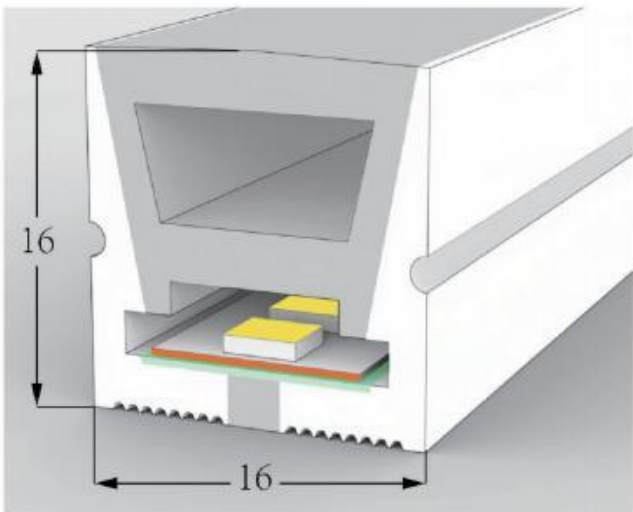
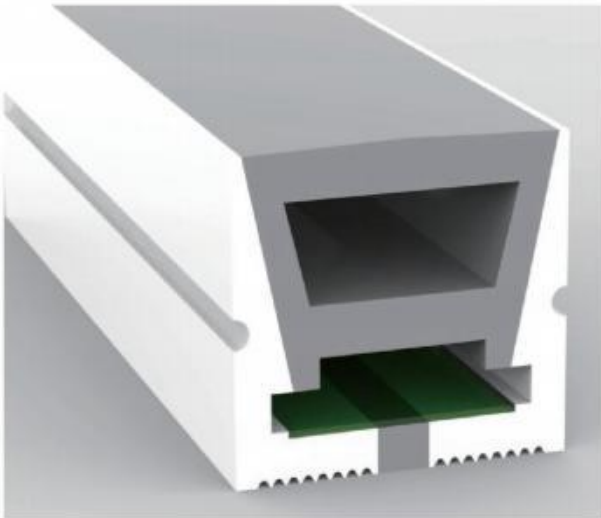
Aluminum Clip



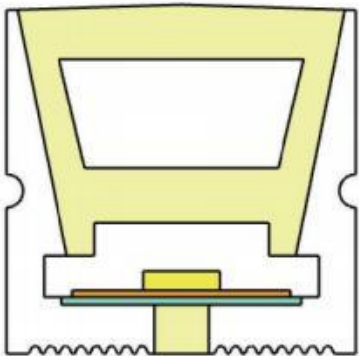
Aluminum Profile

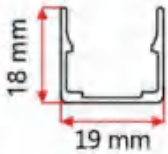
Flexible Profile

S1616 - TOP View series B - with anti break plate



PCB Width(mm)	10
Weight(g/m)	227
Section size(mm)	16*16
Beam angle	120°



Aluminum profile size(mm) : 

Lighting Direction: Top Lighting

Cutting mark:Yes

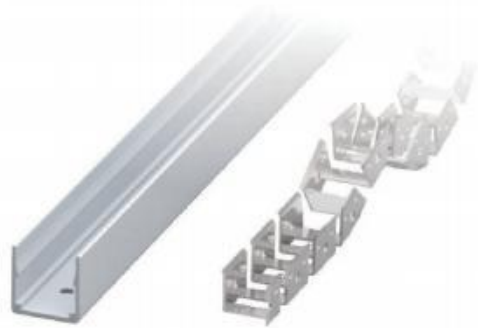


End cap with hole

End cap no hole



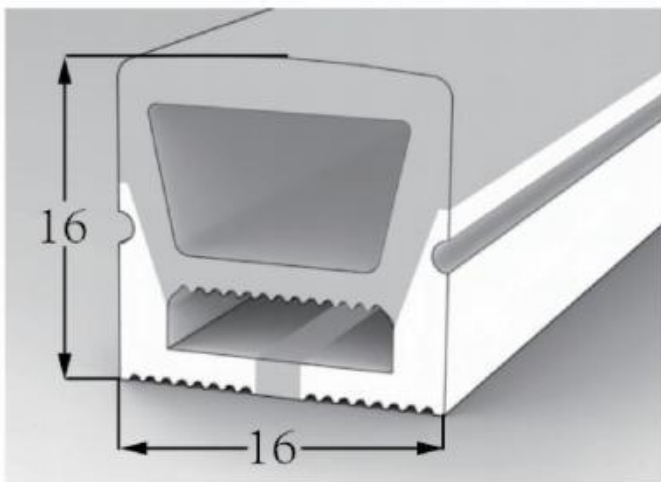
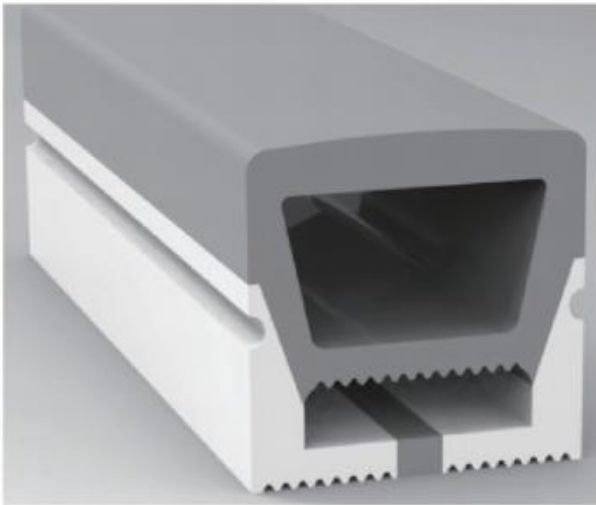
Aluminum Clip



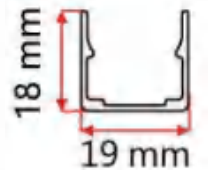
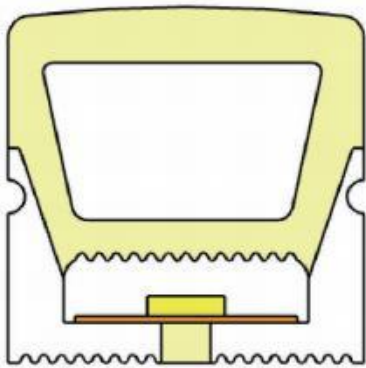
Aluminum Profile

Flexible Profile

S1616 - TOP View series C



PCB Width(mm)	10
Weight(g/m)	195
Section size(mm)	16*16
Beam angle	180°



Aluminum profile size(mm) :

3 sides Top Lighting

Cutting mark:Yes

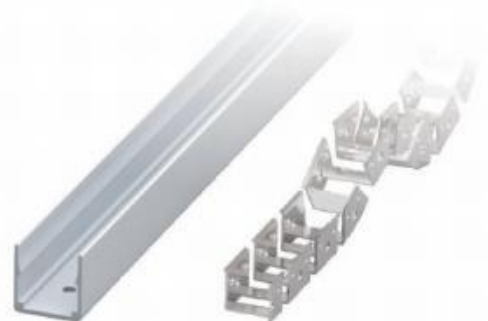


End cap with hole

End cap no hole



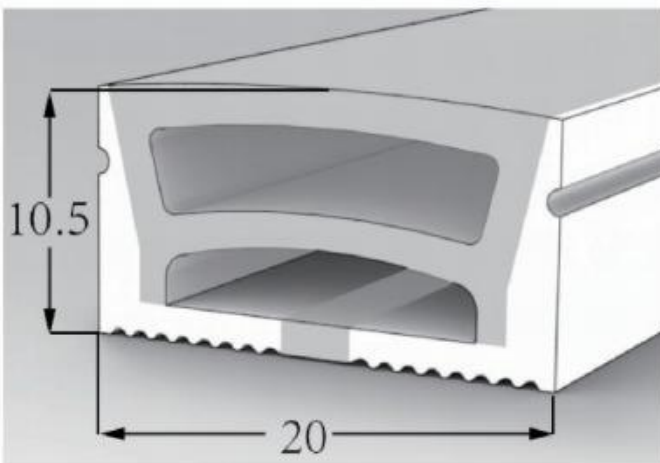
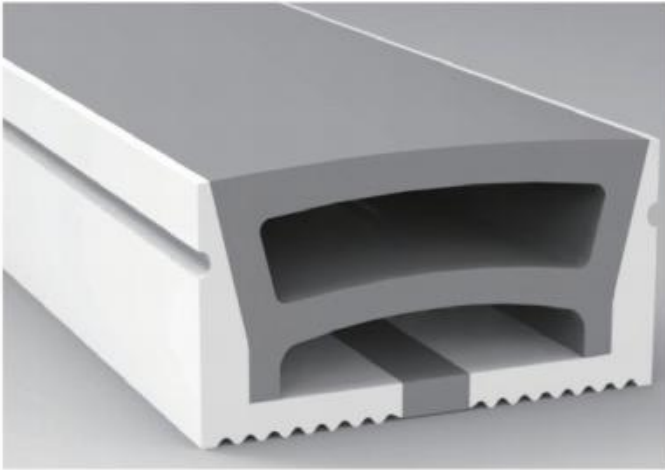
Aluminum Clip



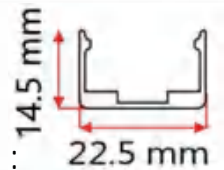
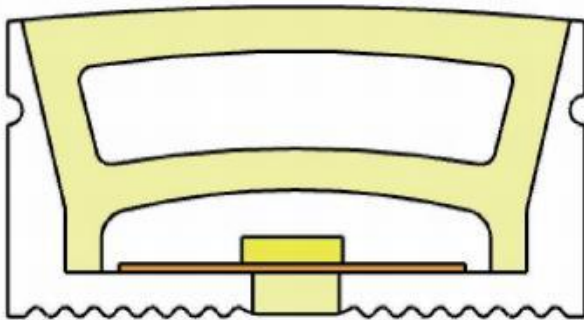
Aluminum Profile

Flexible Profile

S2010 - TOP View series

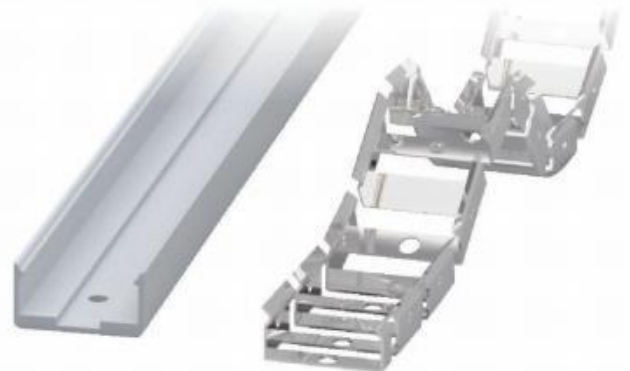


PCB Width(mm)	10/12
Weight(g/m)	175
Section size(mm)	20*10
Beam angle	120°



Aluminum profile size(mm) : 14.5 mm x 22.5 mm
 Lighting Direction: Top Lighting

Cutting mark:Yes



End cap with hole

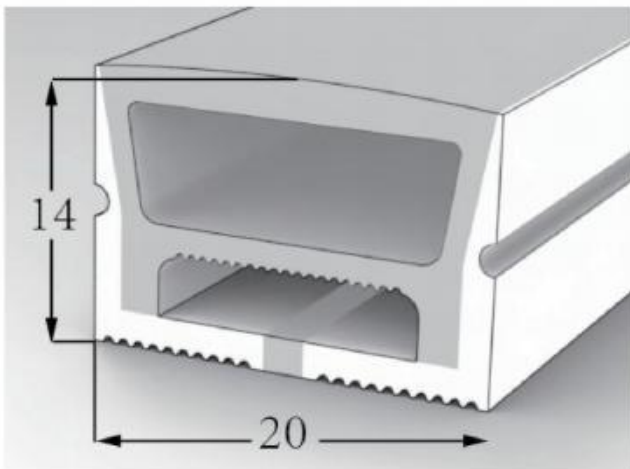
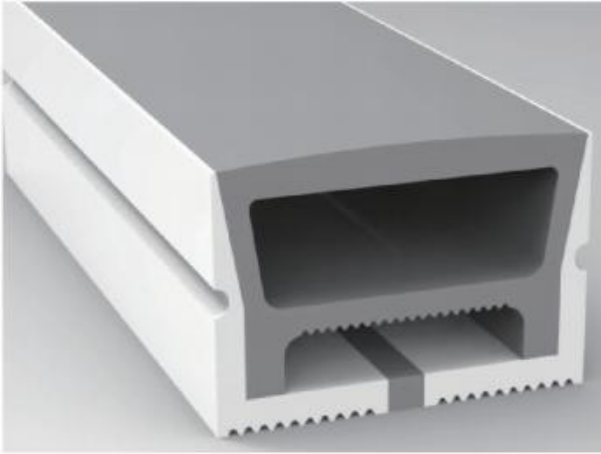
End cap no hole

Aluminum Clip

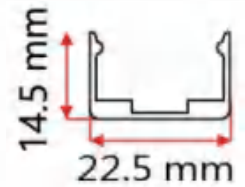
Aluminum Profile

Flexible Profile

S2014 - TOP View series A



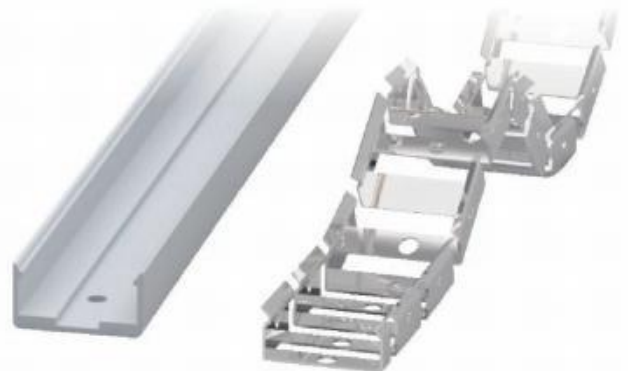
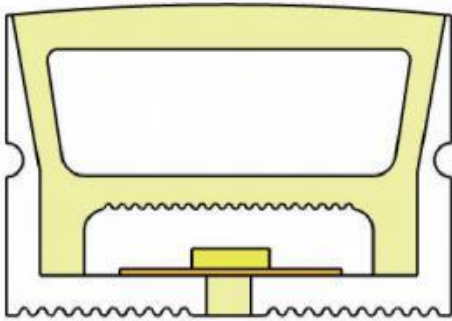
PCB Width(mm)	10
Weight(g/m)	218
Section size(mm)	20*14
Beam angle	120°



Aluminum profile size(mm) :

Lighting Direction: Top Lighting

Cutting mark:Yes



End cap with hole

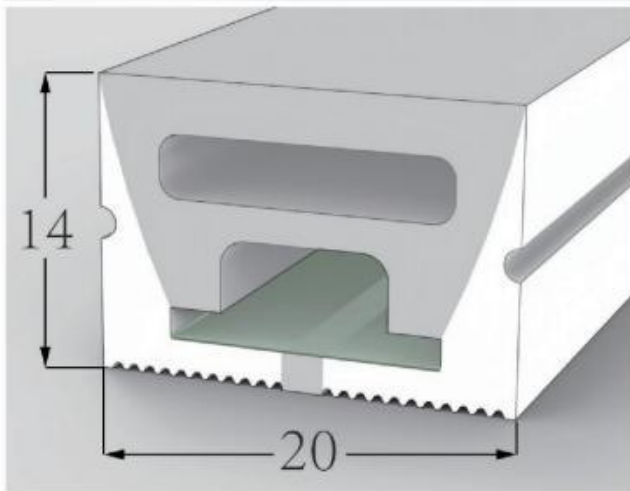
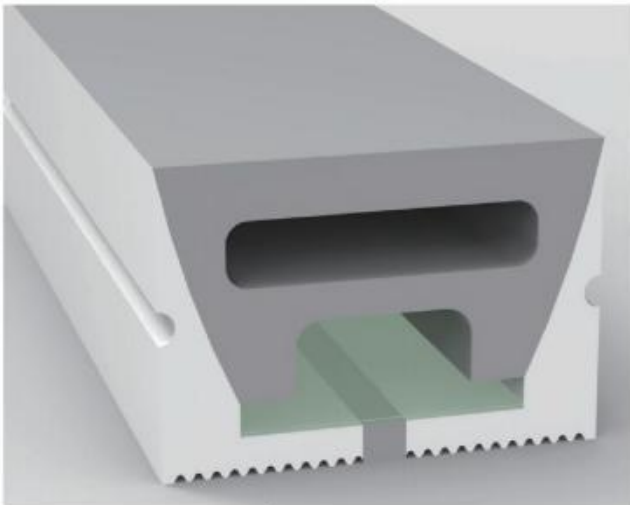
End cap no hole

Aluminum Clip

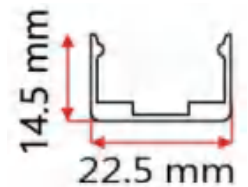
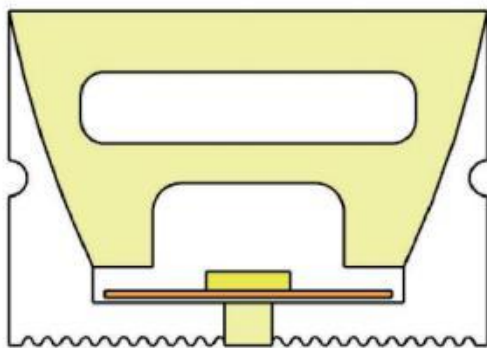
Aluminum Profile

Flexible Profile

S2014 - TOP View series B - with anti break plate



PCB Width(mm)	10/12
Weight(g/m)	249
Section size(mm)	20*14
Beam angle	180°



Aluminum profile size(mm) :

Lighting Direction: 3 sides Top Lighting

Cutting mark:Yes



End cap with hole

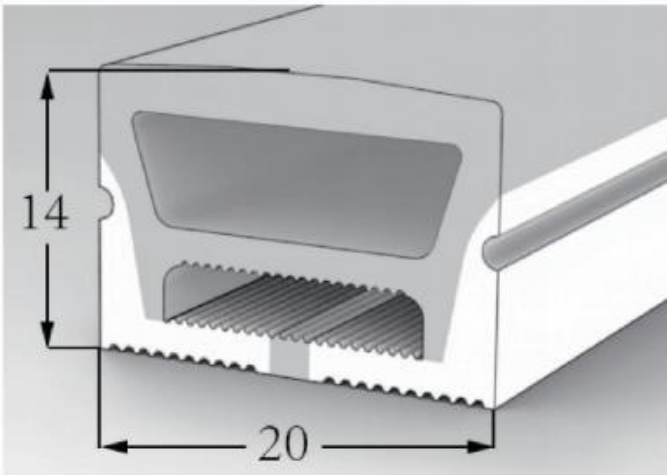
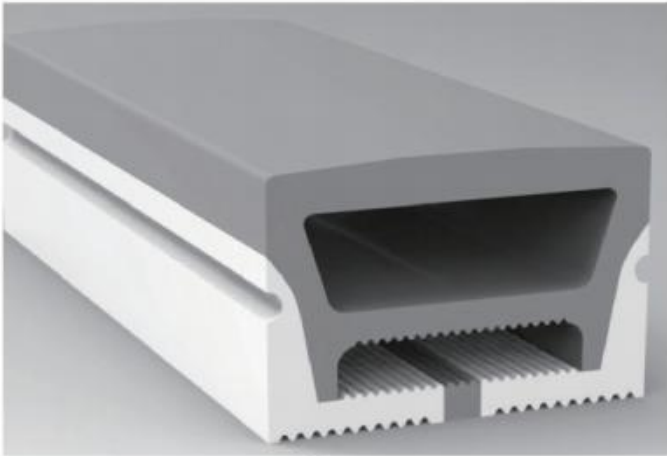
End cap no hole

Aluminum Clip

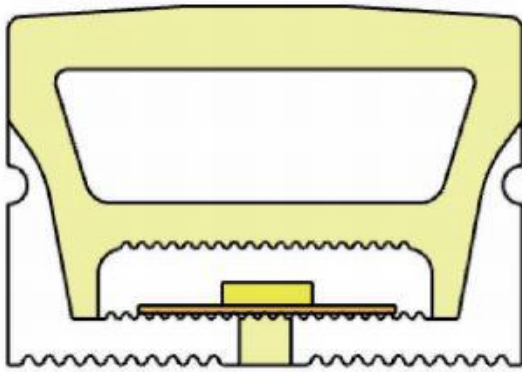
Aluminum Profile

Flexible Profile

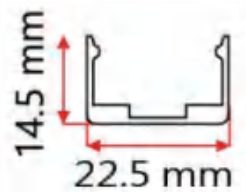
S2014 - TOP View series C



PCB Width(mm)	10
Weight(g/m)	217
Section size(mm)	20*14
Beam angle	180°

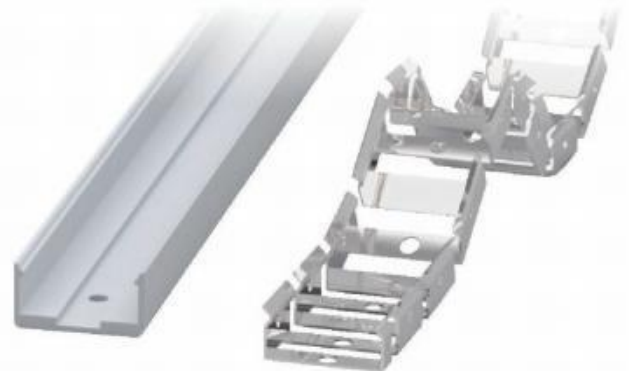


Aluminum profile size(mm) :



Lighting Direction: 3 sides Top Lighting

Cutting mark:Yes



End cap with hole

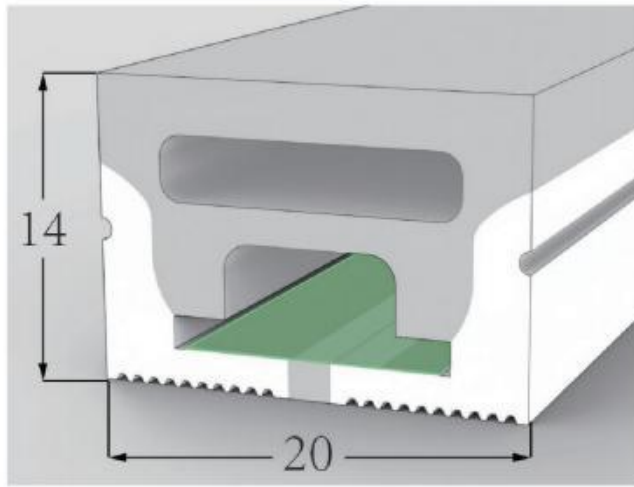
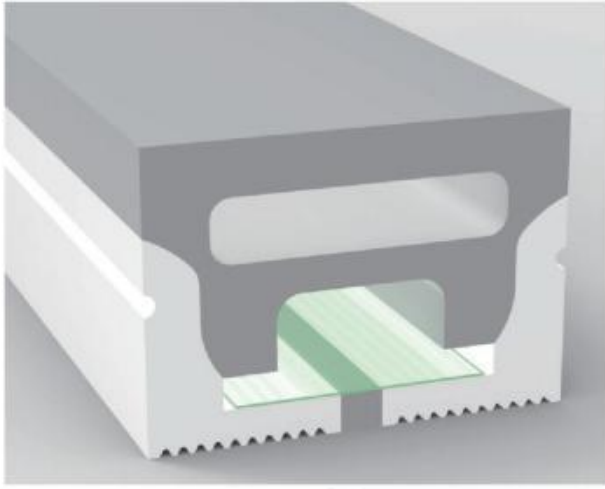
End cap no hole

Aluminum Clip

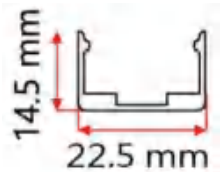
Aluminum Profile

Flexible Profile

S2014 - TOP View series D - with anti break plate



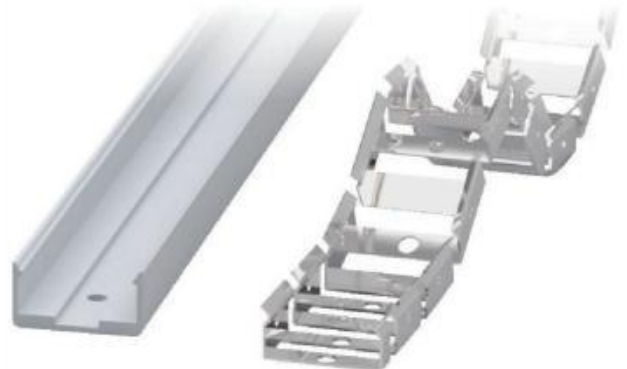
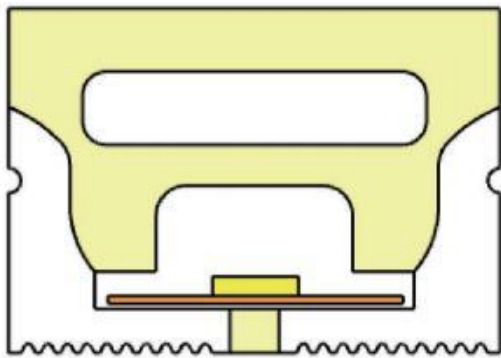
PCB Width(mm)	10/12
Weight(g/m)	249
Section size(mm)	20*14
Beam angle	180°



Aluminum profile size(mm) :

Lighting Direction: 3 sides Top Lighting

Cutting mark:Yes



End cap with hole

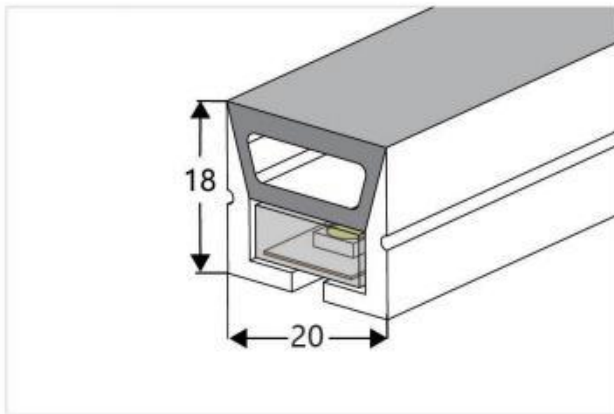
End cap no hole

Aluminum Clip

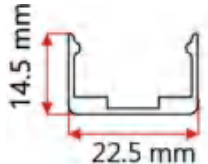
Aluminum Profile

Flexible Profile

S2018 - TOP View series

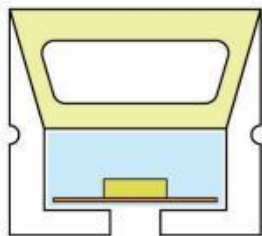


PCB Width(mm)	10
Weight(g/m)	238
Section size(mm)	20*18
Beam angle	120°

Aluminum profile size(mm) : 

Lighting Direction: Top Lighting

Cutting mark:Yes



Aluminum Profile

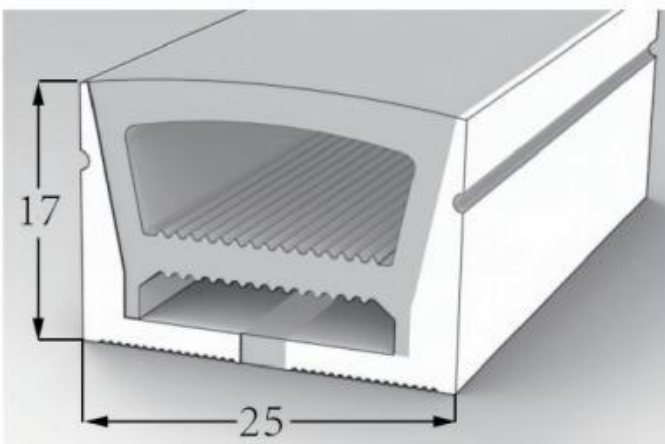
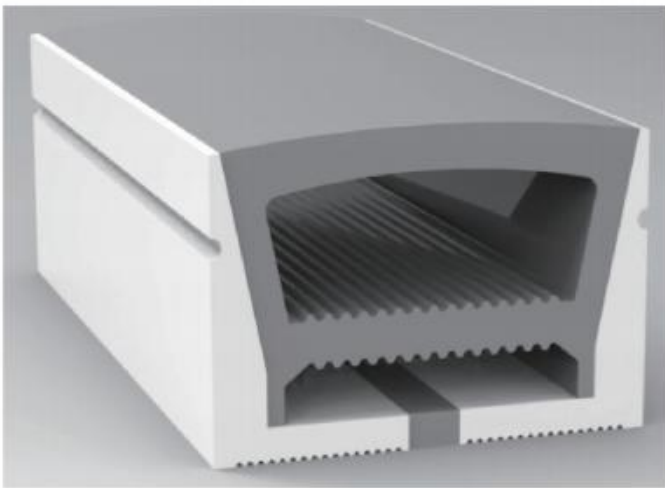


Aluminum Clip

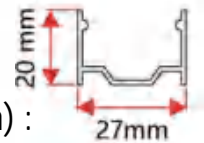
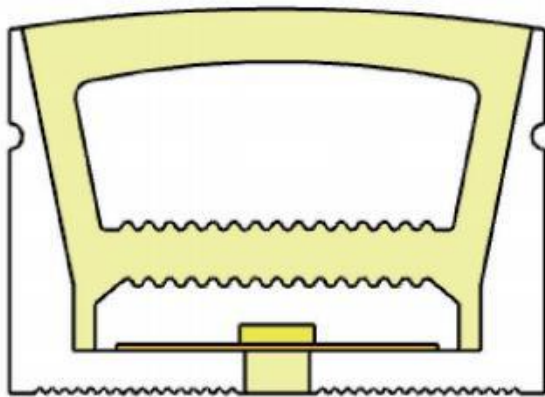


Flexible Profile

S2517 - TOP View series



PCB Width(mm)	15
Weight(g/m)	330
Section size(mm)	20*10
Beam angle	120°



Aluminum profile size(mm) :

Lighting Direction: Top Lighting

Cutting mark:Yes



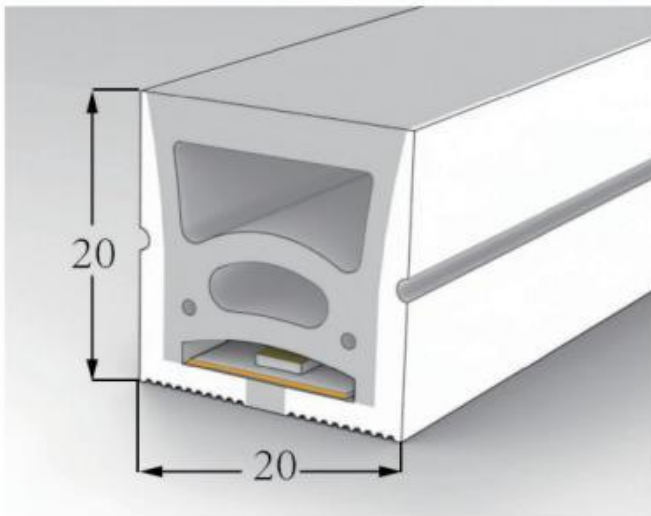
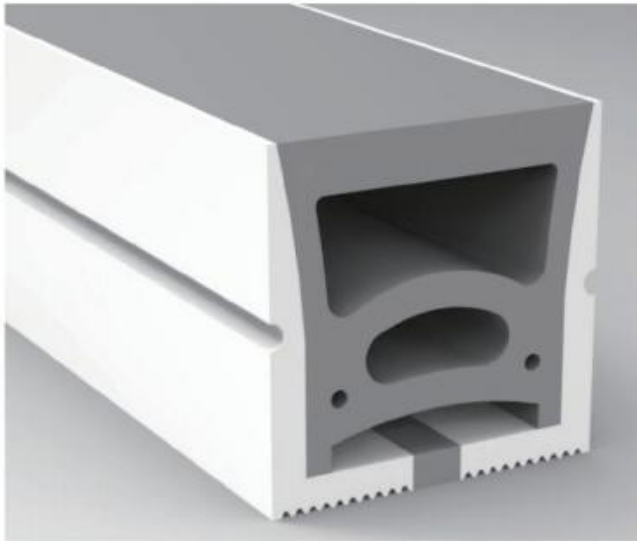
End cap with hole

End cap no hole

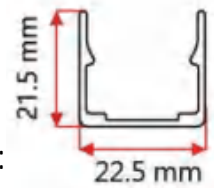
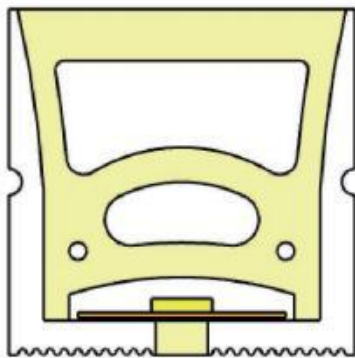
Aluminum Clip

Aluminum Profile

S2020 - TOP View series A



PCB Width(mm)	10/12
Weight(g/m)	336
Section size(mm)	20*20
Beam angle	180°



Aluminum profile size(mm) :

Lighting Direction: Top Lighting

Cutting mark:Yes



End cap with hole

End cap no hole



Aluminum Clip

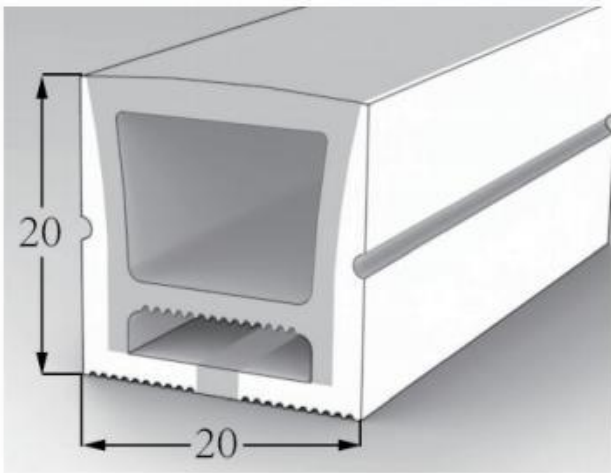
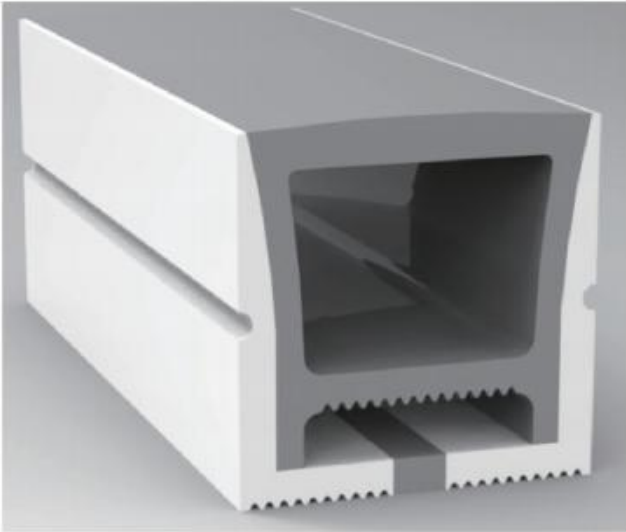


Aluminum Profile

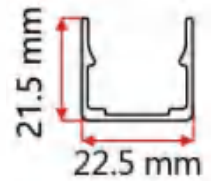
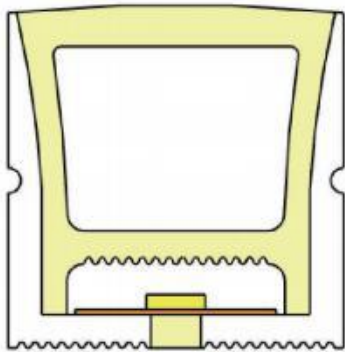


Flexible Profile

S2020 - TOP View series B



PCB Width(mm)	10/12
Weight(g/m)	293
Section size(mm)	20*20
Beam angle	180°



Aluminum profile size(mm) :

Lighting Direction: Top Lighting

Cutting mark:Yes



End cap with hole

End cap no hole



Aluminum Clip

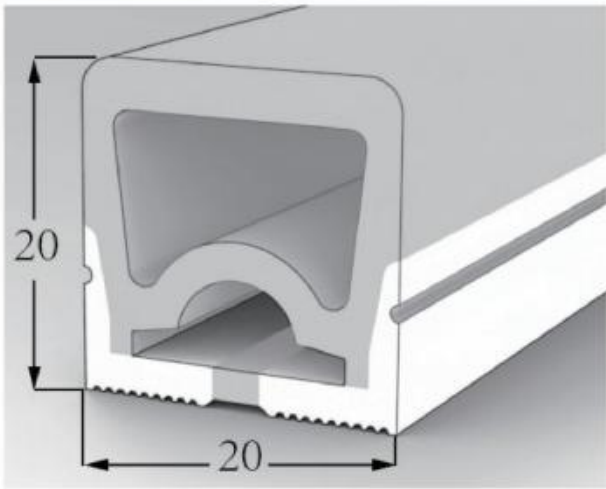
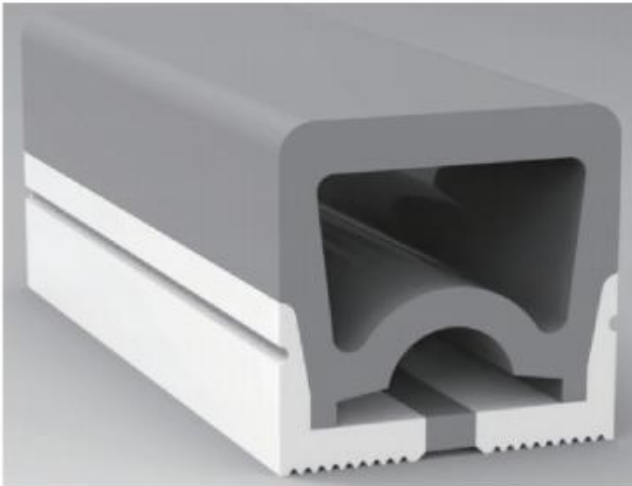


Aluminum Profile

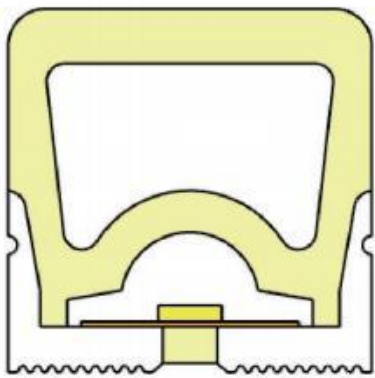


Flexible Profile

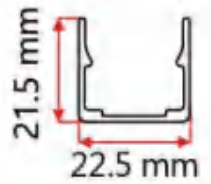
S2020 - TOP View series C



PCB Width(mm)	10/12
Weight(g/m)	281
Section size(mm)	12*25
Beam angle	180°



Aluminum profile size(mm) :



Lighting Direction: 3 sides Top Lighting

Cutting mark:Yes



End cap with hole

End cap no hole



Aluminum Clip

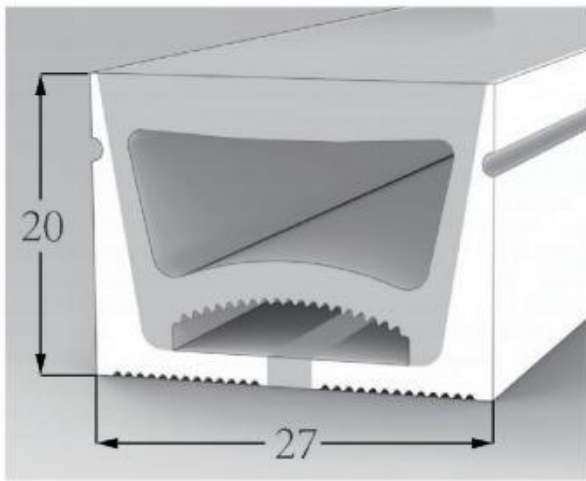
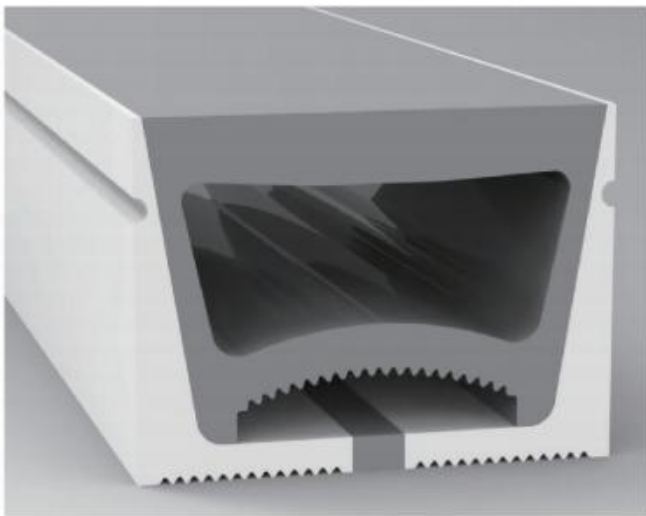


Aluminum Profile

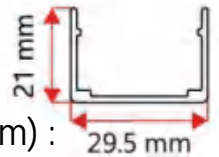
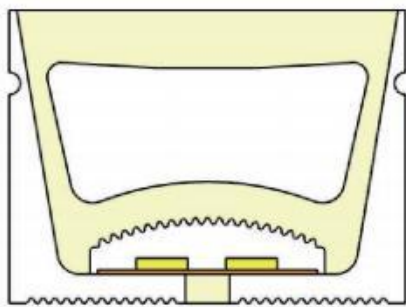


Flexible Profile

S2720 - TOP View series



PCB Width(mm)	15
Weight(g/m)	400
Section size(mm)	27*20
Beam angle	120°



Aluminum profile size(mm) : 21 mm x 29.5 mm
 Lighting Direction: Top Lighting

Cutting mark:Yes



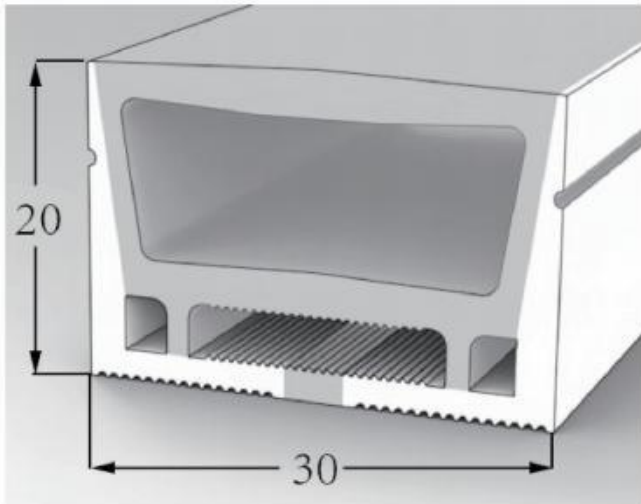
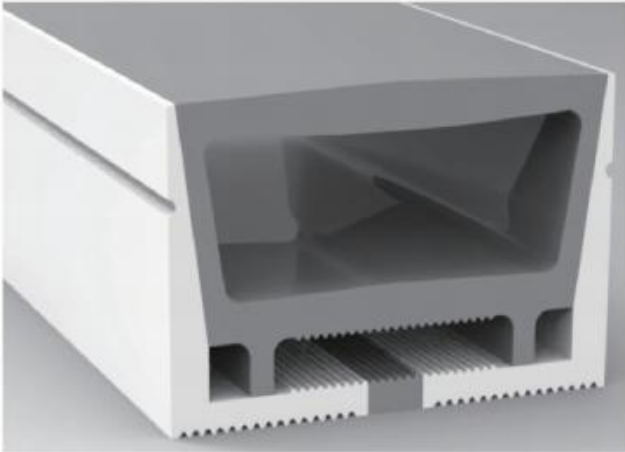
End cap with hole

End cap no hole

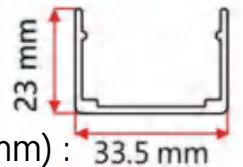
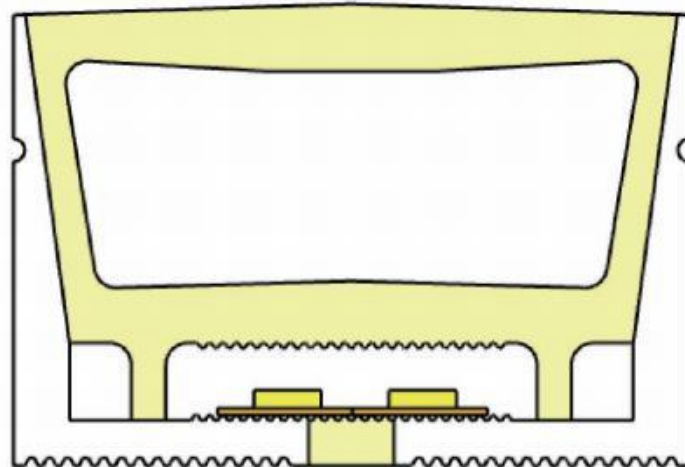
Aluminum Clip

Aluminum Profile

S3020 - TOP View series A



PCB Width(mm)	15
Weight(g/m)	396
Section size(mm)	30*20
Beam angle	120°



Aluminum profile size(mm) : 33.5 mm

Lighting Direction: Top Lighting

Cutting mark:Yes



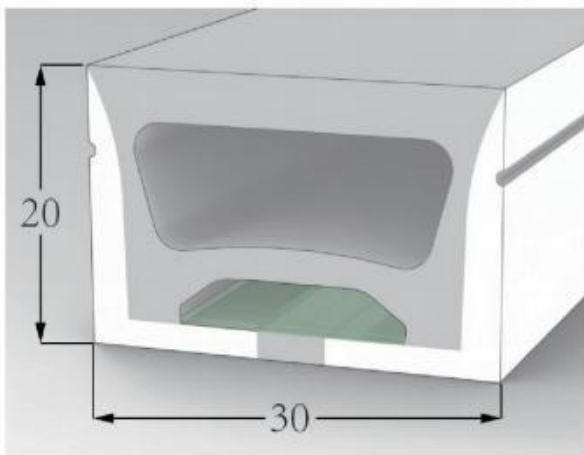
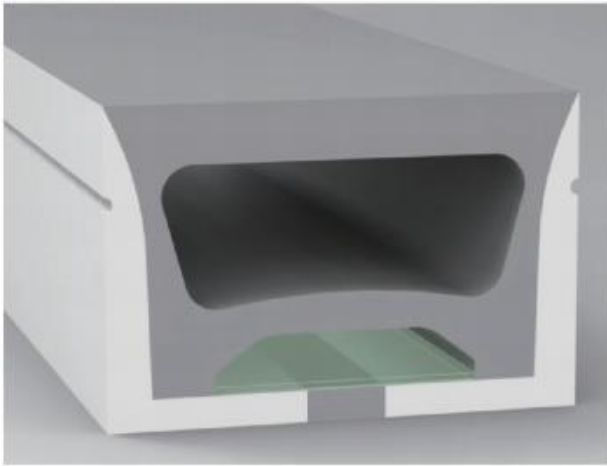
End cap with hole

End cap no hole

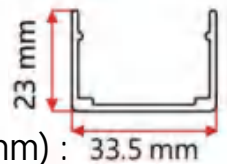
Aluminum Clip

Aluminum Profile

S3020 - TOP View series B - with anti break plate



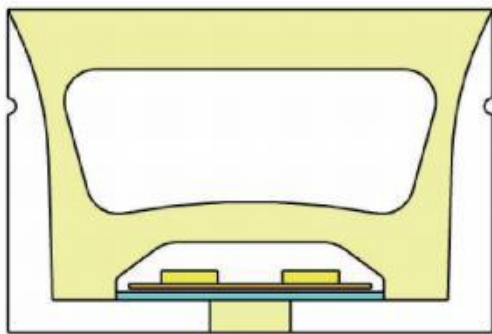
PCB Width(mm)	15
Weight(g/m)	482
Section size(mm)	30*20
Beam angle	120°



Aluminum profile size(mm) : 33.5 mm

Lighting Direction: Top Lighting

Cutting mark:Yes



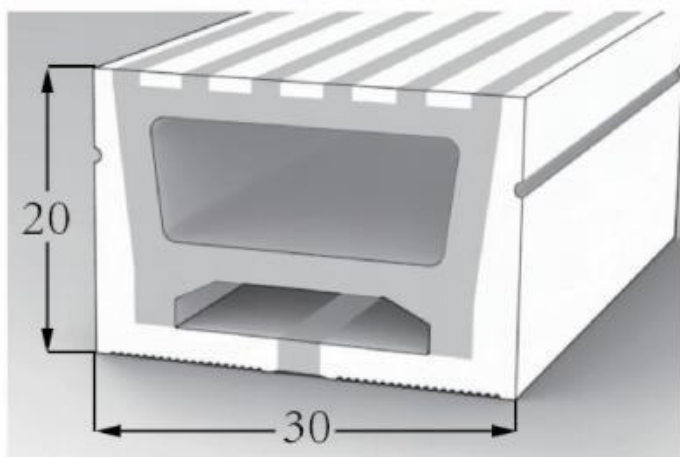
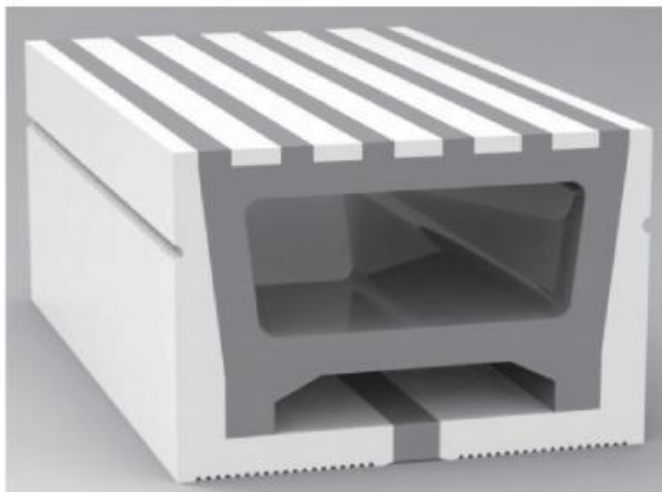
End cap with hole

End cap no hole

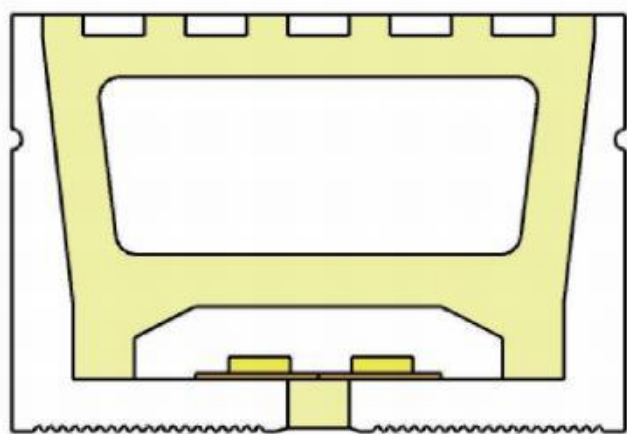
Aluminum Clip

Aluminum Profile

S3020 - TOP View series C



PCB Width(mm)	15
Weight(g/m)	447
Section size(mm)	30*20
Beam angle	120°



Aluminum profile size(mm) : 33.5 mm

Lighting Direction: Top Lighting

Cutting mark:Yes



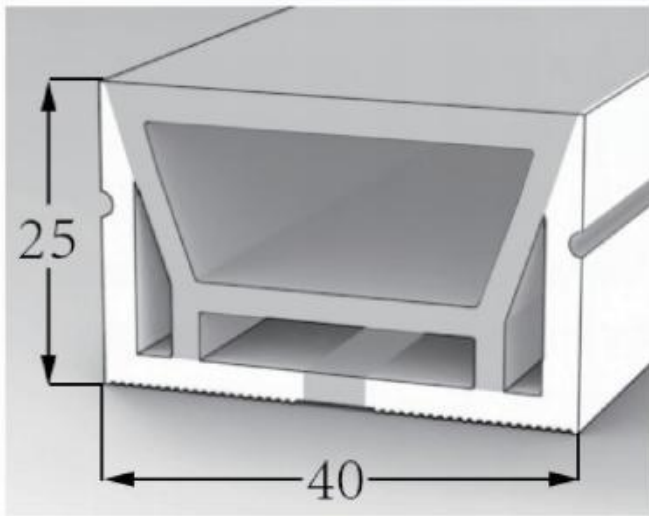
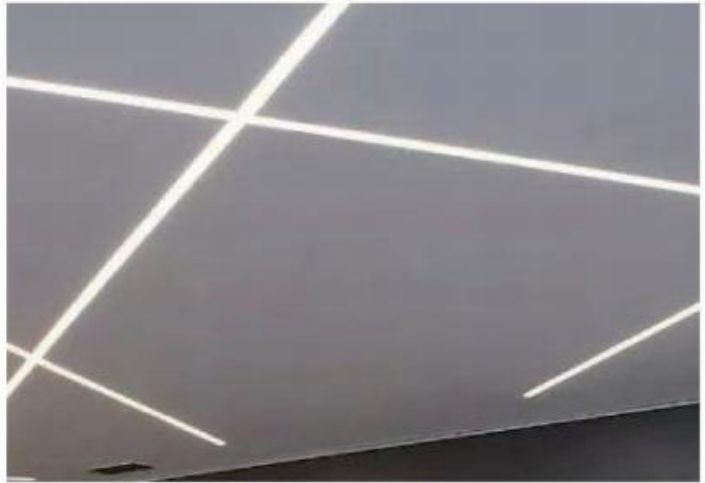
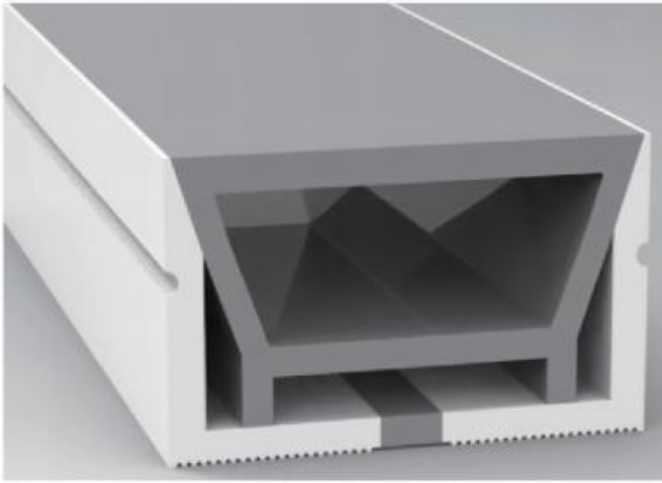
End cap with hole

End cap no hole

Aluminum Clip

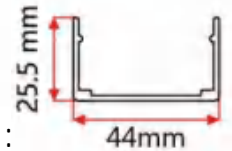
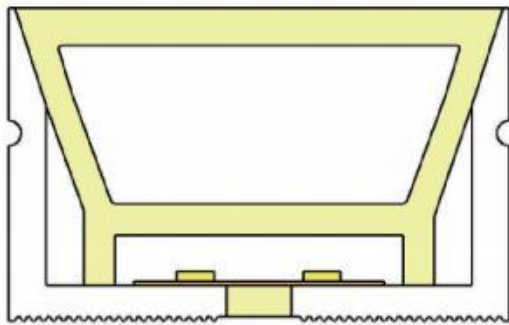
Aluminum Profile

S4025 - TOP View series A



Front: 12 / Side: 8

PCB Width(mm)	12
Weight(g/m)	592
Section size(mm)	40*25
Beam angle	120°



Aluminum profile size(mm) :

Lighting Direction: Top Lighting/
Side Lighting

Cutting mark: Yes



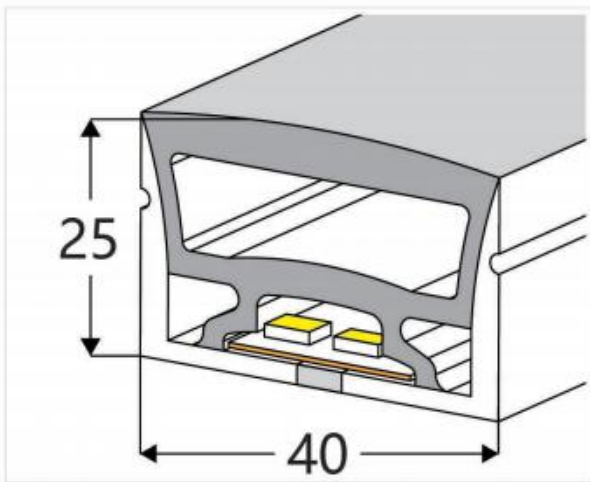
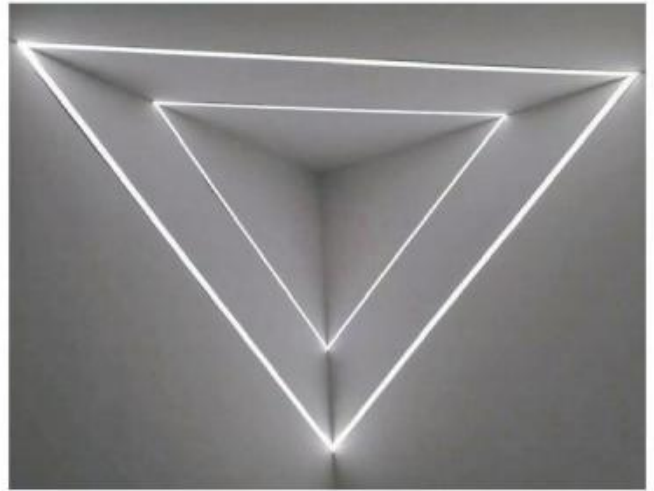
End cap with hole

End cap no hole

Aluminum Clip

Aluminum Profile

S4025 - Top View Series B



PCB Width(mm)

20

Weight(g/m)

611

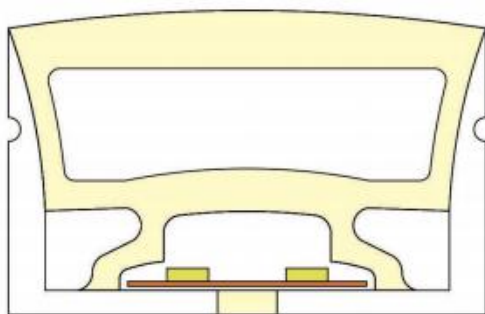
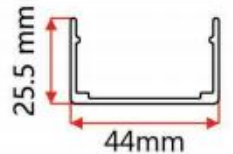
Section size(mm)

40*25

Beam angle

120°

Aluminum Profile size(mm)



Top Lighting
Cutting mark:Yes



End cap with hole

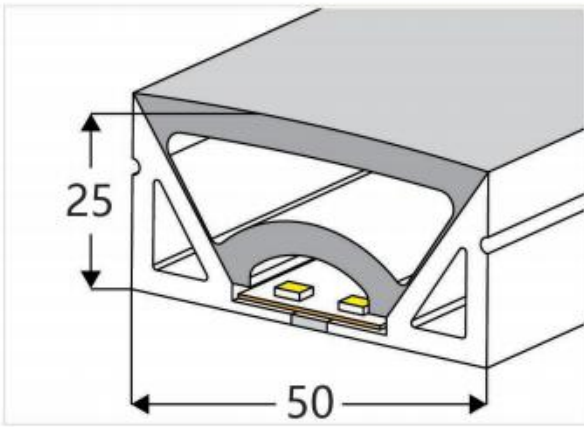
End cap no hole

Aluminum Clip

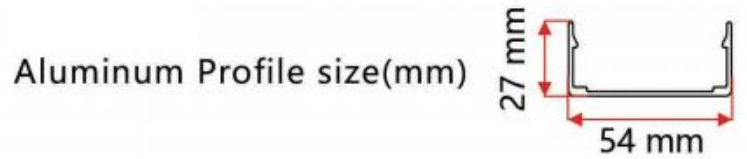
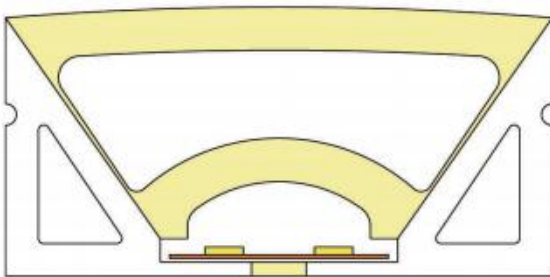
Aluminum Profile

Flexible Profile

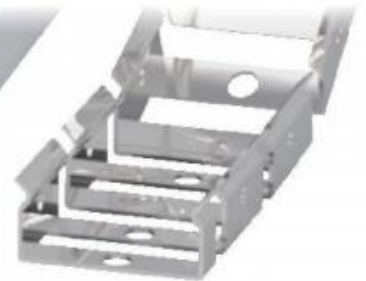
S5025 - Top View Series



PCB Width(mm)	20
Weight(g/m)	837
Section size(mm)	50*25
Beam angle	120°



Top Lighting
Cutting mark:Yes



End cap with hole

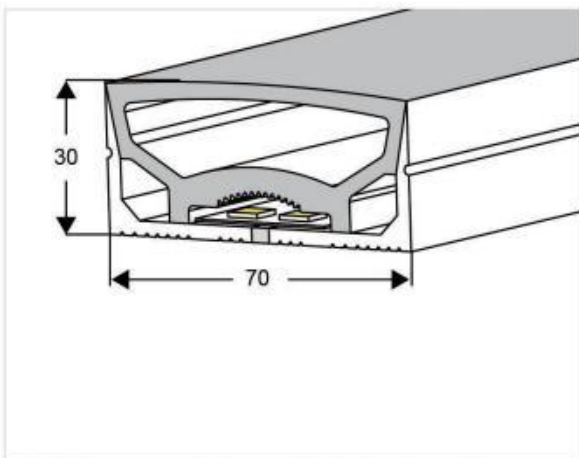
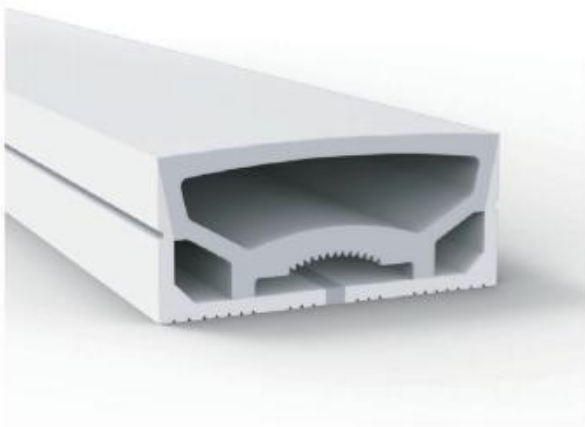
End cap no hole

Aluminum Clip

Aluminum Profile

Flexible Profile

S7030 - TOP View series

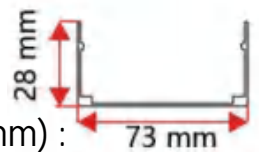
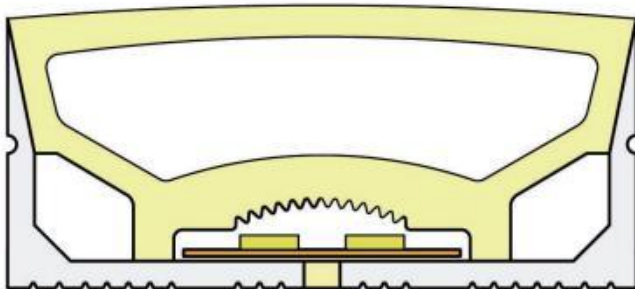


PCB Width(mm) 30

Weight(g/m) 1270

Section size(mm) 70*30

Beam angle 120°



Aluminum profile size(mm) :

Top Lighting

Cutting mark:Yes



End cap with hole



End cap no hole

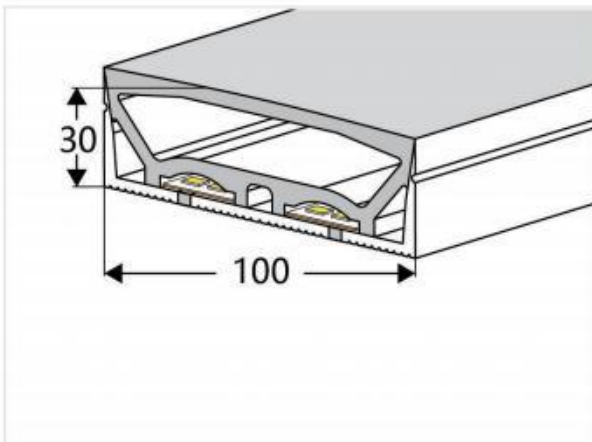


Aluminum Clip

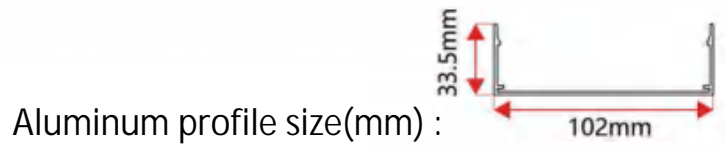


Aluminum Profile

S10030 - TOP View series



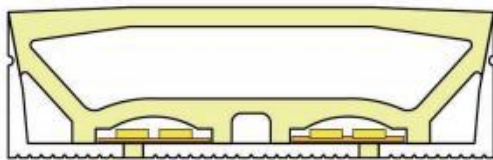
PCB Width(mm)	20X2
Weight(g/m)	2000
Section size(mm)	100*30
Beam angle	120°



Aluminum profile size(mm) :

Top Lighting

Cutting mark:Yes



End cap with hole



End cap no hole

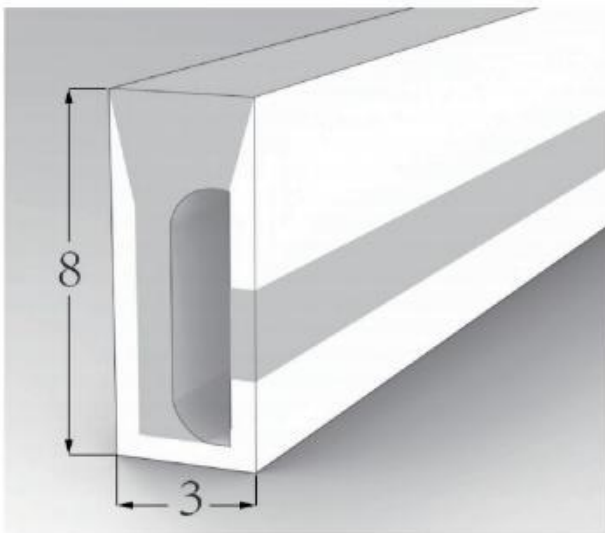
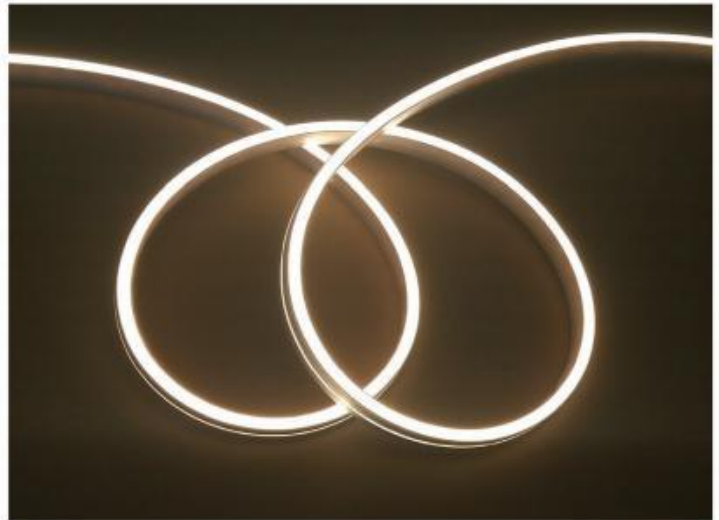


Aluminum Clip

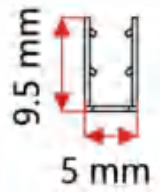


Aluminum Profile

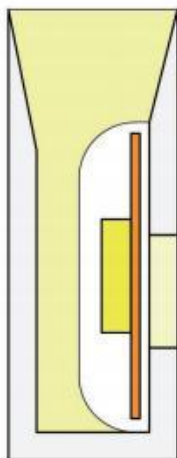
S0308 - Side view series



PCB Width(mm)	5
Weight(g/m)	28.5
Section size(mm)	3*8
Beam angle	120°



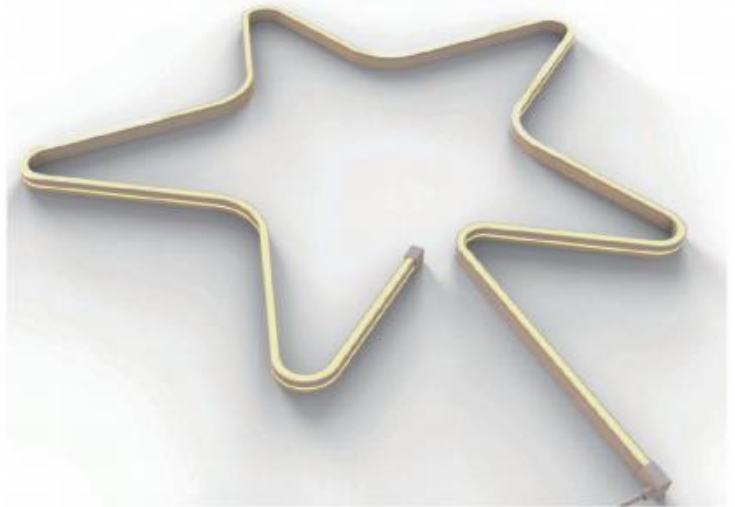
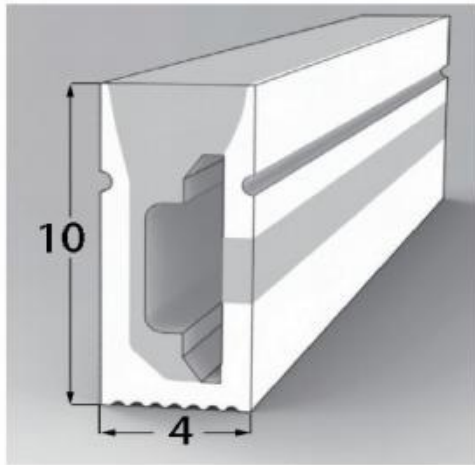
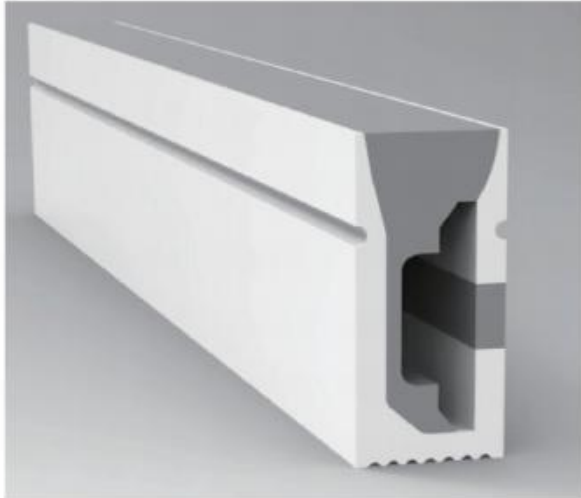
Aluminum profile size(mm) :



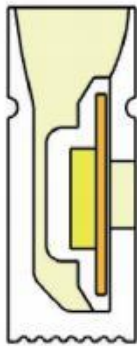
Lighting Direction: Side Lighting
Cutting mark:Yes



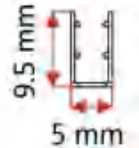
S0410 - Side view series



PCB Width (mm)	5/6
Weight (g/m)	44
Section size (mm)	4*10
Beam angle	120°



Aluminum profile size(mm) :



Lighting Direction: Side Lighting

Cutting mark: Yes



End cap with hole

End cap no hole



Aluminum Clip

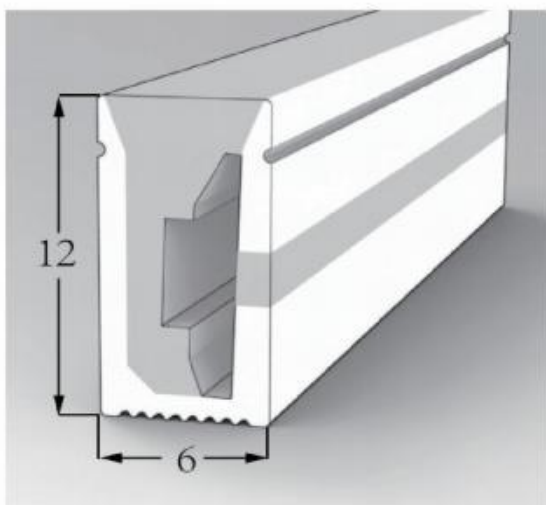
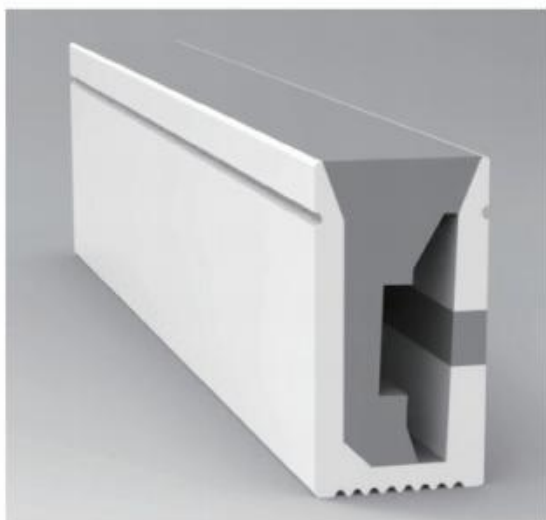


Aluminum Profile

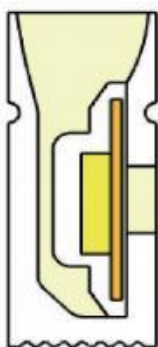


Flexible Profile

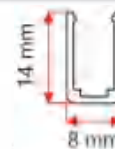
S0612 - Side view series



PCB Width (mm)	8
Weight (g/m)	71
Section size (mm)	6*12
Beam angle	120°



Aluminum profile size(mm) :



Lighting Direction: Side Lighting

Cutting mark: Yes



End cap with hole

End cap no hole



Aluminum Clip

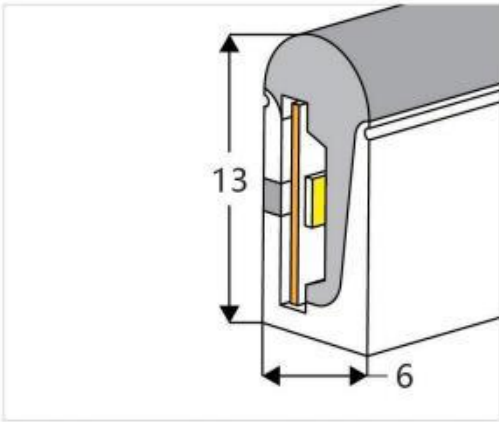
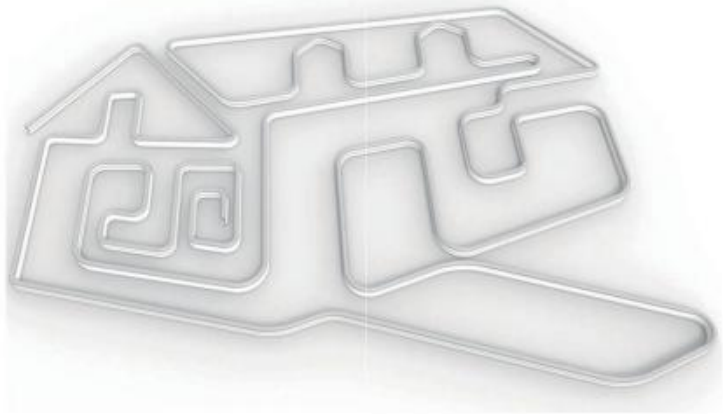
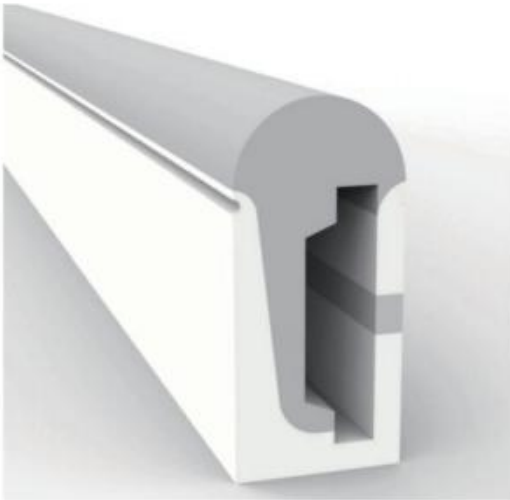


Aluminum Profile

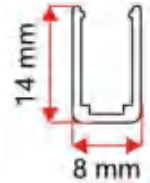
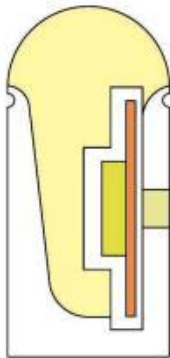


Flexible Profile

S0613 - Side view series



PCB Width(mm)	8
Weight(g/m)	76
Section size(mm)	6*13
Beam angle	180°



Aluminum profile size(mm) :

Lighting Direction: Side Lighting

Cutting mark:Yes



End cap with hole

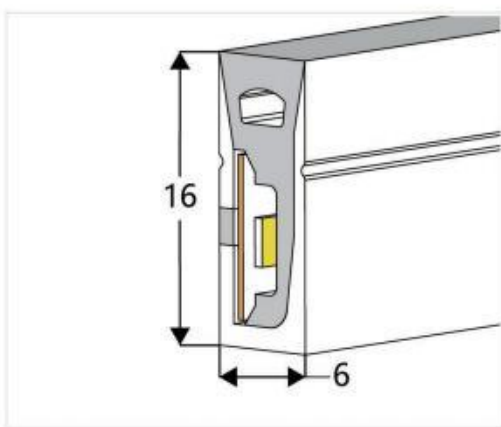
End cap no hole

Aluminum Clip

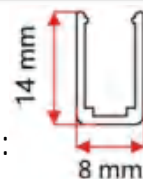
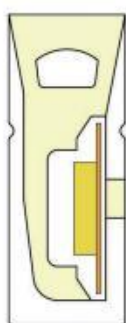
Aluminum Profile

Flexible Profile

S0616 - Side view series



PCB Width(mm)	8
Weight(g/m)	89
Section size(mm)	6*16
Beam angle	120°



Aluminum profile size(mm) :

Lighting Direction: Side Lighting

Cutting mark:Yes



End cap with hole

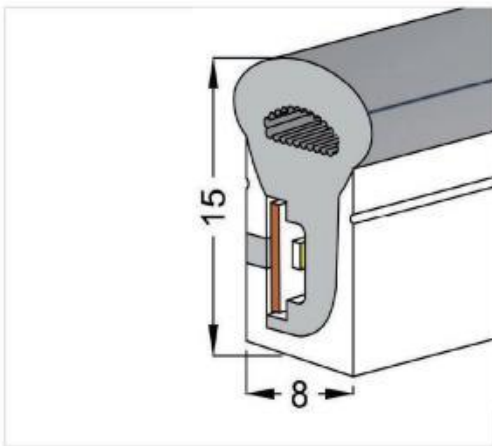
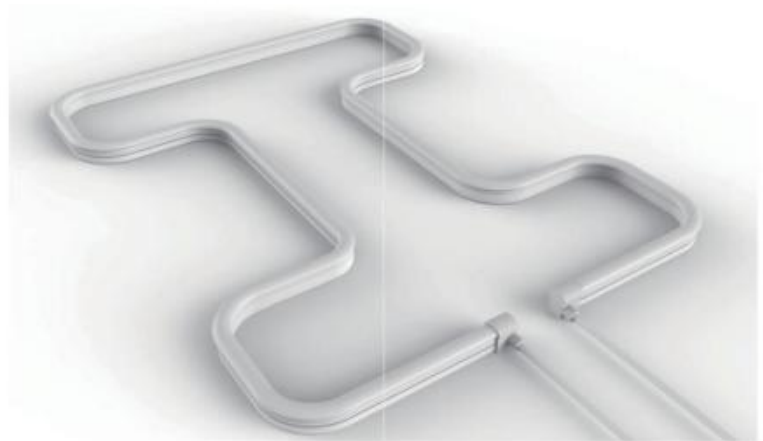
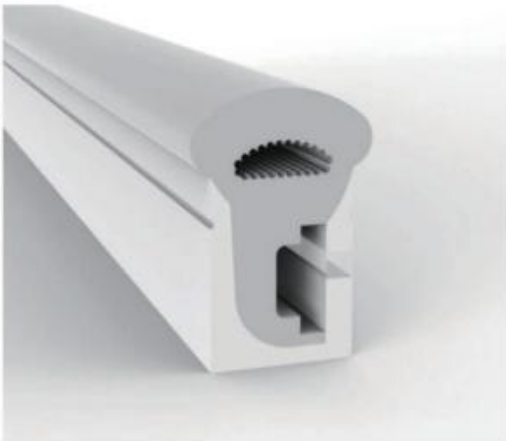
End cap no hole

Aluminum Clip

Aluminum Profile

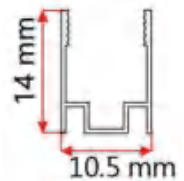
Flexible Profile

S0815 - Side view series



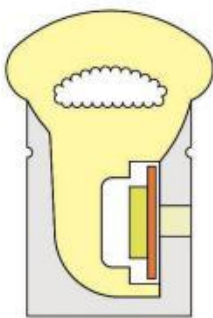
PCB Width(mm)	5
Weight(g/m)	126
Section size(mm)	8*15
Beam angle	270°

Aluminum profile size(mm) :



Lighting Direction: Side Lighting

Cutting mark:Yes



End cap with hole

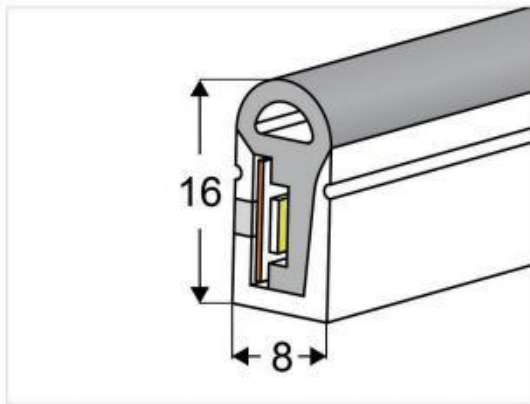
End cap no hole

Aluminum Clip

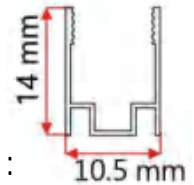
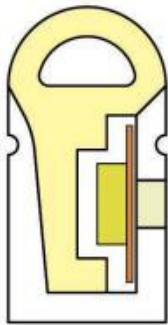
Aluminum Profile

Flexible Profile

S0816 - Side view series



PCB Width(mm)	8
Weight(g/m)	110
Section size(mm)	8*16
Beam angle	180°



Aluminum profile size(mm) :

Lighting Direction: Side Lighting

Cutting mark:Yes



End cap with hole

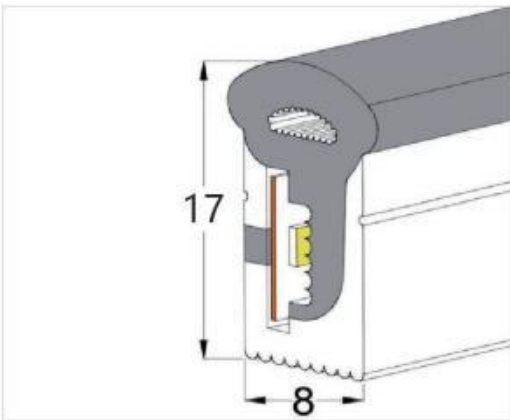
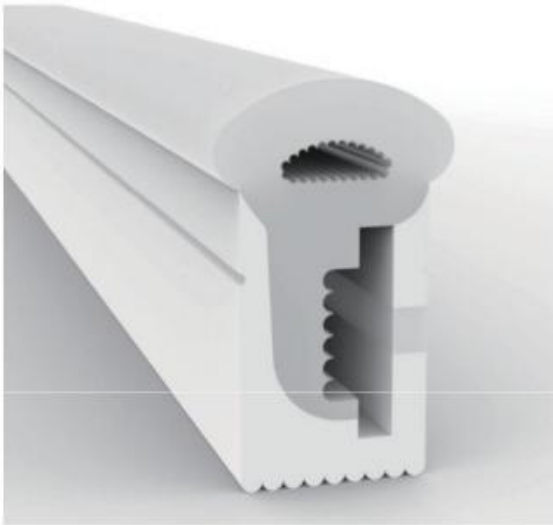
End cap no hole

Aluminum Clip

Aluminum Profile

Flexible Profile

S0817 - Side view series

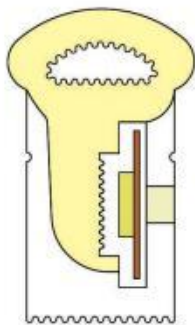


PCB Width(mm) 8

Weight(g/m) 141

Section size(mm) 8*17

Beam angle 270°



Aluminum profile size(mm) :



Lighting Direction: Side Lighting

Cutting mark:Yes



End cap with hole

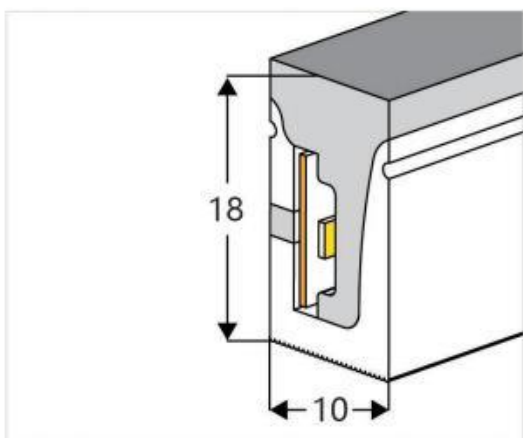
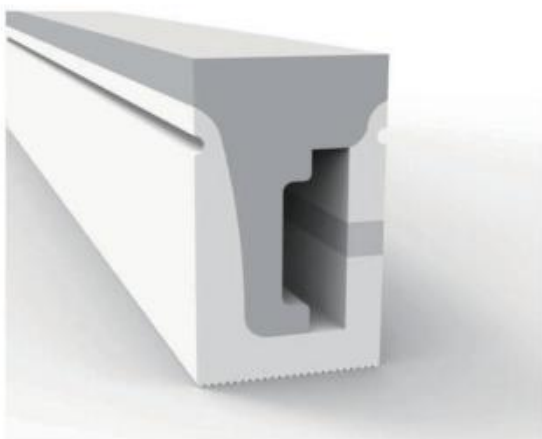
End cap no hole

Aluminum Clip

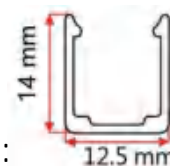
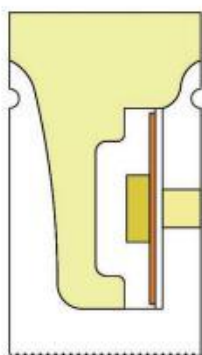
Aluminum Profile

Flexible Profile

S1018 - Side view series



PCB Width(mm)	10
Weight(g/m)	182
Section size(mm)	10*18
Beam angle	180°



Aluminum profile size(mm) :

Lighting Direction: 3 sides Top Lighting

Cutting mark:Yes



End cap with hole

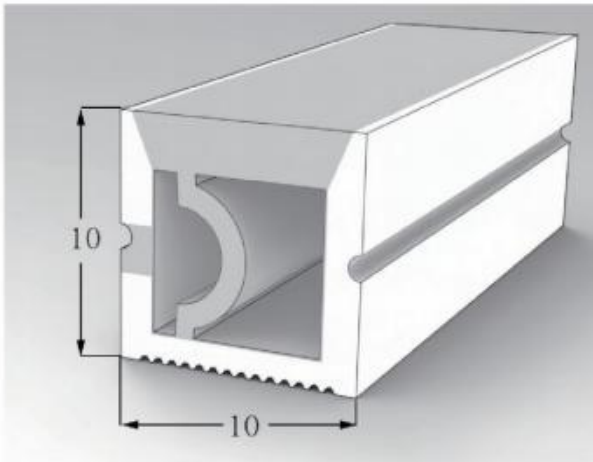
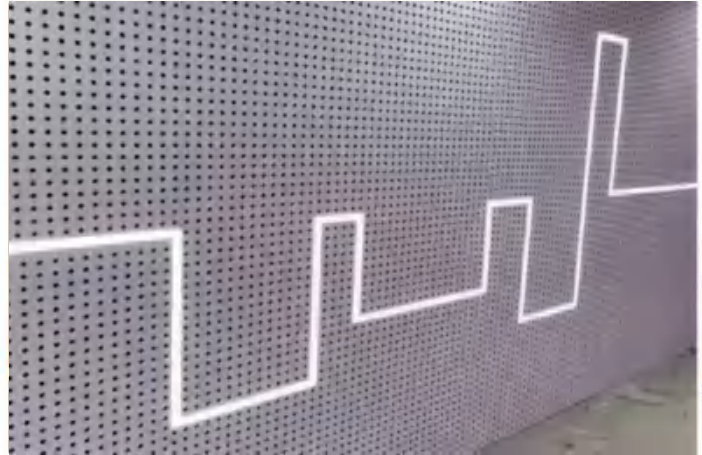
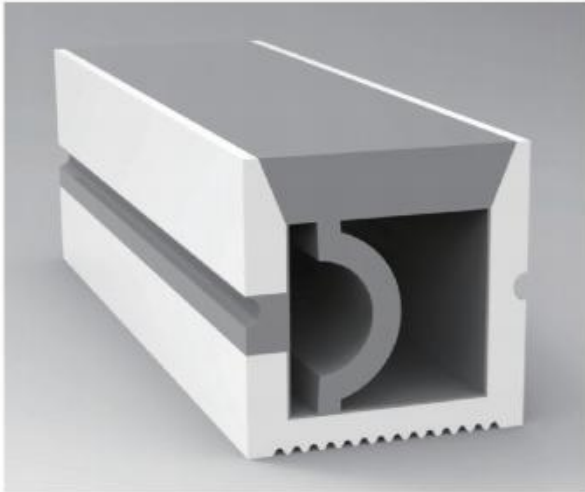
End cap no hole

Aluminum Clip

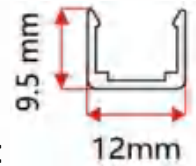
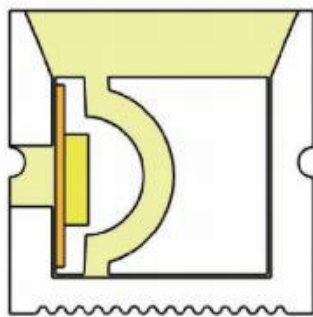
Aluminum Profile

Flexible Profile

S1010 - Side view series



PCB Width (mm)	5
Weight (g/m)	84
Section size (mm)	10*10
Beam angle	120°



Aluminum profile size(mm) :

Lighting Direction: Side Lighting

Cutting mark:Yes

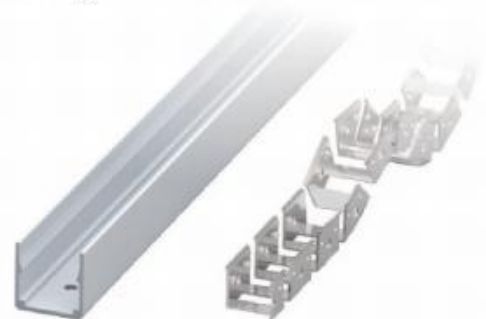


End cap with hole

End cap no hole



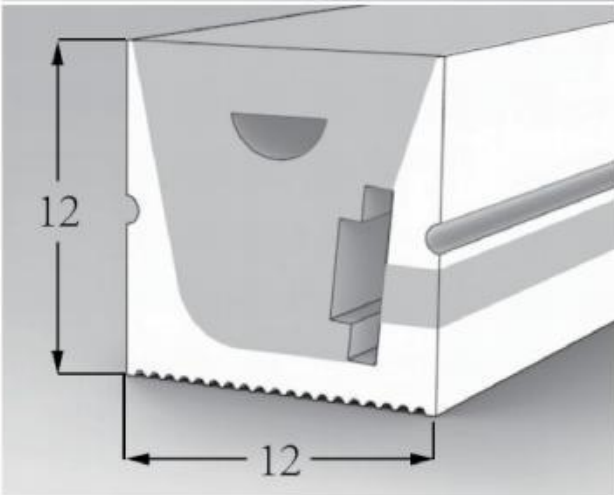
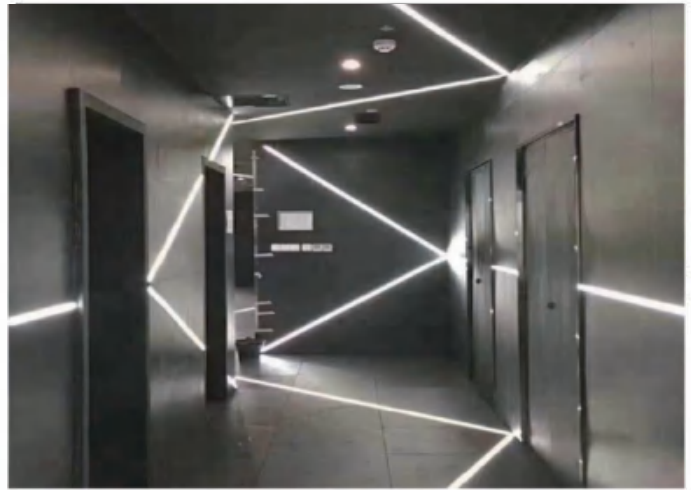
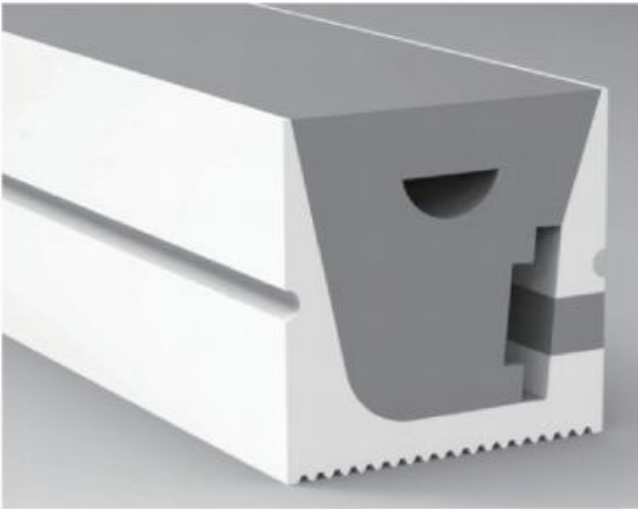
Aluminum Clip



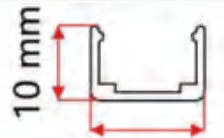
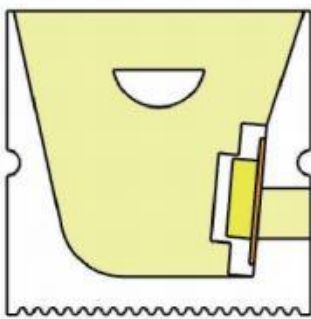
Aluminum Profile

Flexible Profile

S1212 - Side view series



PCB Width(mm)	5
Weight(g/m)	153
Section size(mm)	12*12
Beam angle	120°



Aluminum profile size(mm) : 14.5 mm

Side Lighting

Cutting mark:Yes



End cap with hole

End cap no hole



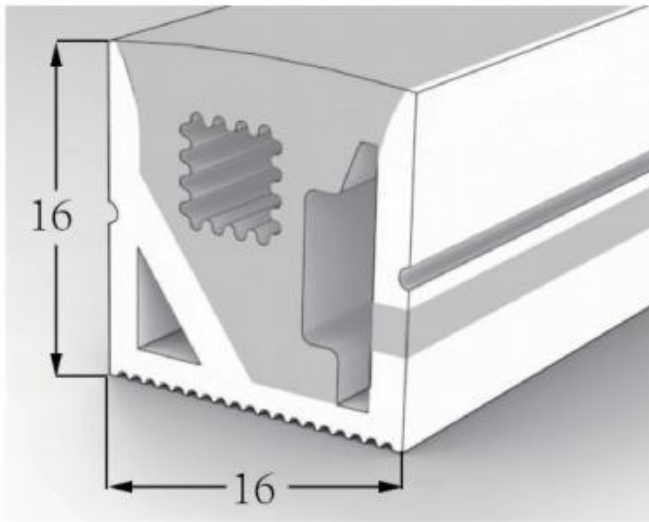
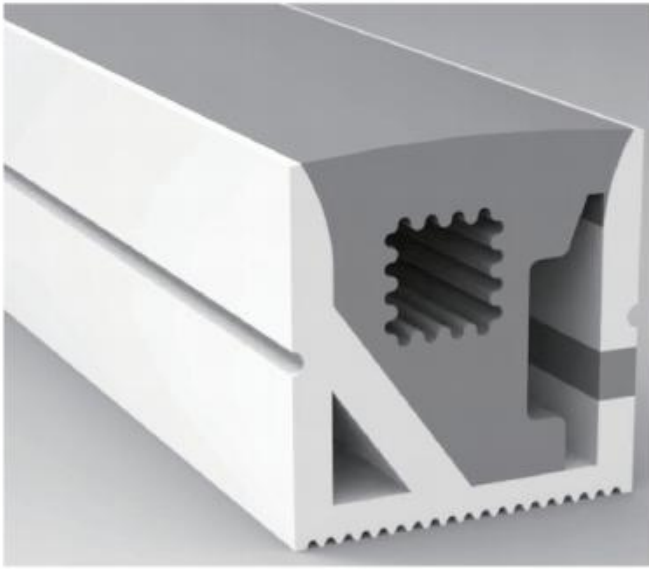
Aluminum Clip



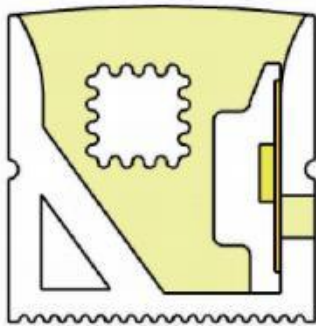
Aluminum Profile

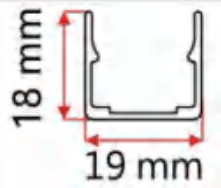
Flexible Profile

S1616 - Side view series



PCB Width(mm)	10
Weight(g/m)	155
Section size(mm)	16*16
Beam angle	120°



Aluminum profile size(mm) :  18 mm x 19 mm
Side Lighting

Cutting mark:Yes



End cap with hole

End cap no hole



Aluminum Clip

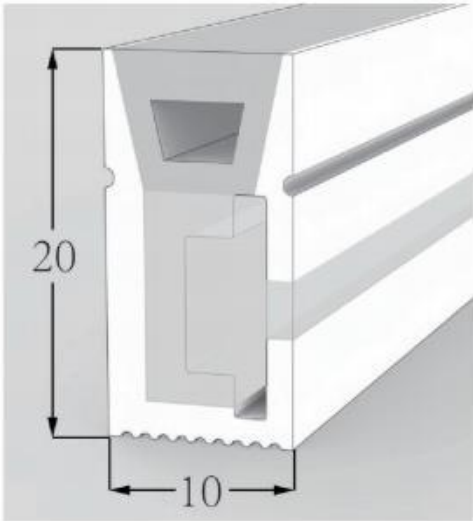
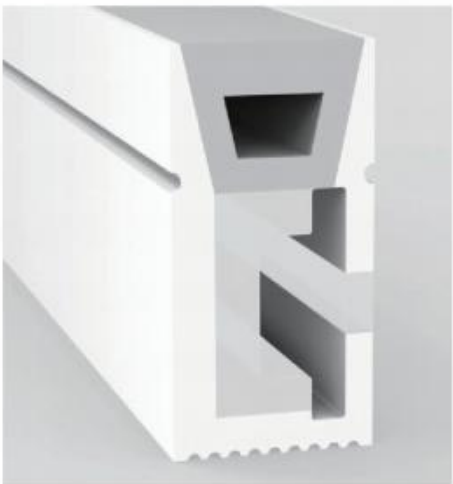


Aluminum Profile

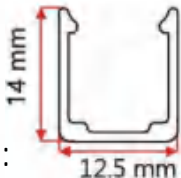


Flexible Profile

S1020 - Side view series



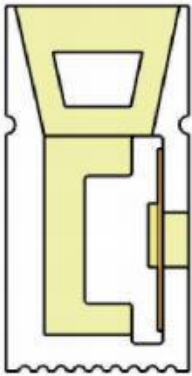
PCB Width(mm)	10
Weight(g/m)	190
Section size(mm)	10*20
Beam angle	120°



Aluminum profile size(mm) :

Lighting Direction: Side Lighting

Cutting mark:Yes



End cap with hole

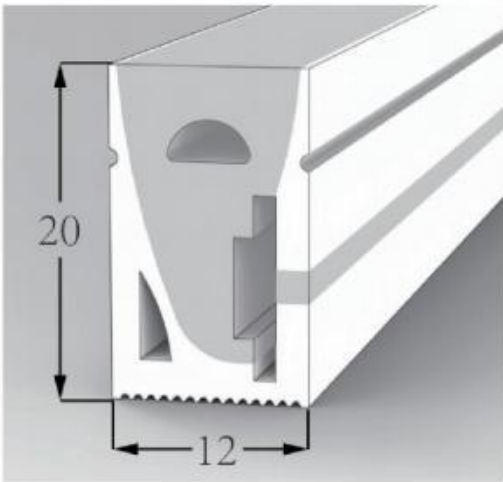
End cap no hole

Aluminum Clip

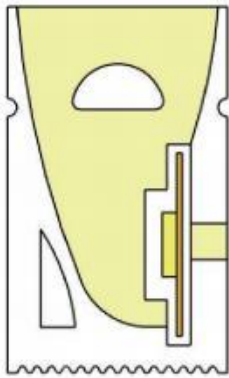
Aluminum Profile

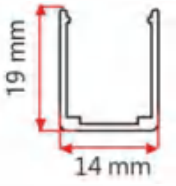
Flexible Profile

S1220 - Side view series A



PCB Width(mm)	10
Weight(g/m)	230
Section size(mm)	12*20
Beam angle	120°



Aluminum profile size(mm) : 

Side Lighting

Cutting mark:Yes



End cap with hole

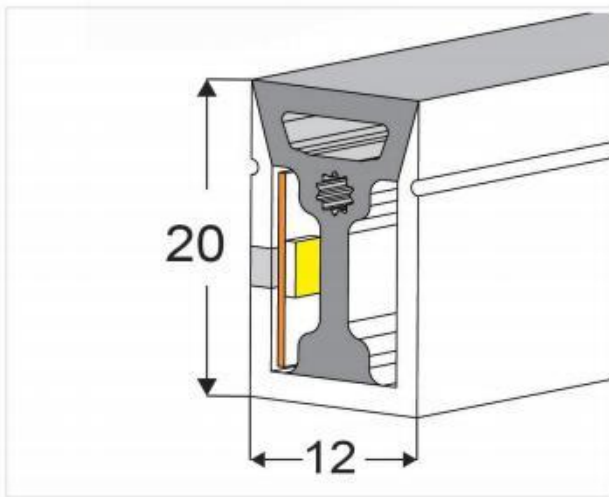
End cap no hole

Aluminum Clip

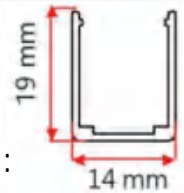
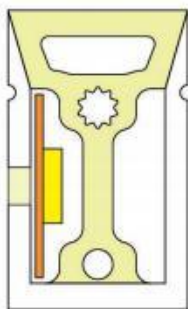
Aluminum Profile

Flexible Profile

S1220 - Side view series B



PCB Width(mm)	10
Weight(g/m)	180
Section size(mm)	20*12
Beam angle	120°



Aluminum profile size(mm) :

Side Lighting

Cutting mark:Yes



End cap with hole



End cap no hole



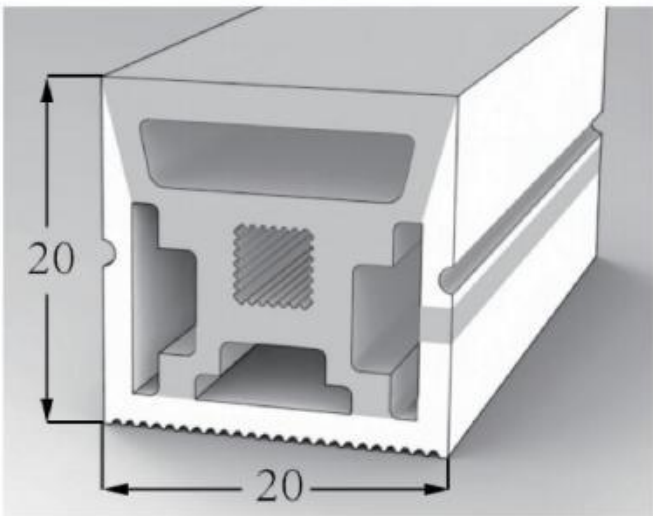
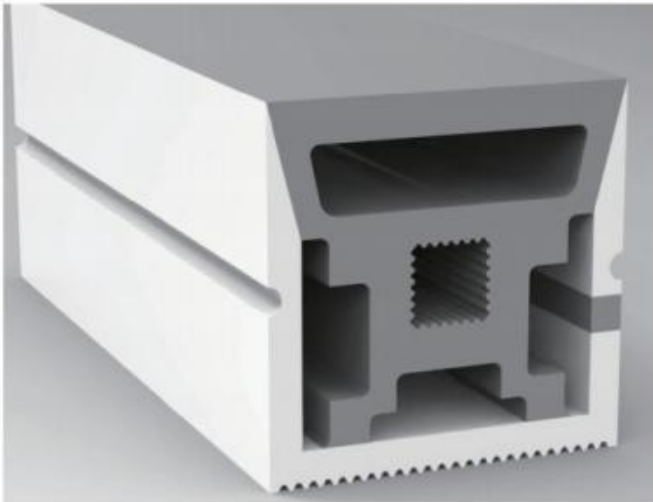
Aluminum Clip



Aluminum Profile

Flexible Profile

S2020 - Side view series

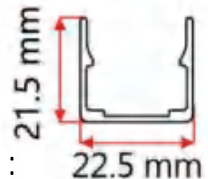
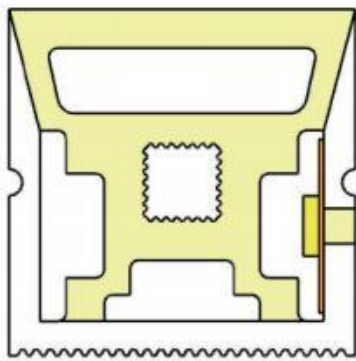


PCB Width(mm) Top view: 8 / Side View 10

Weight(g/m) 298

Section size(mm) 20*20

Beam angle 120°



Aluminum profile size(mm) : 21.5 mm x 22.5 mm

Lighting Direction: Top Lighting/
Side Lighting
Cutting mark:Yes



End cap with hole

End cap no hole



Aluminum Clip

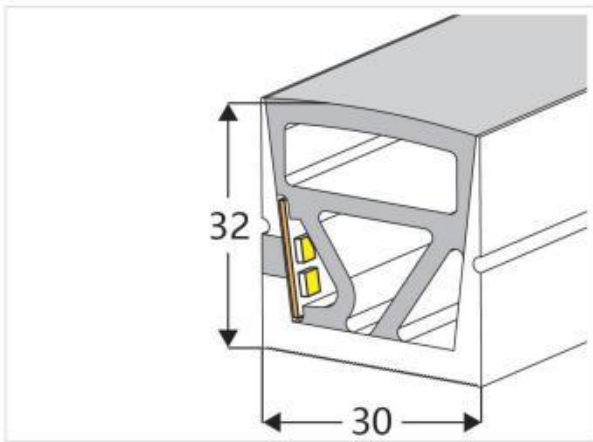


Aluminum Profile

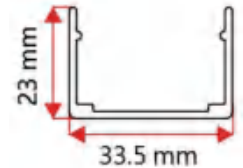
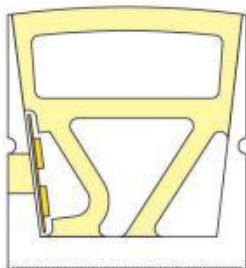


Flexible Profile

S3032 - Side view series



PCB Width(mm)	12/15
Weight(g/m)	628
Section size(mm)	30*32
Beam angle	120°



Aluminum profile size(mm) :

Lighting Direction: Side Lighting

Cutting mark:Yes



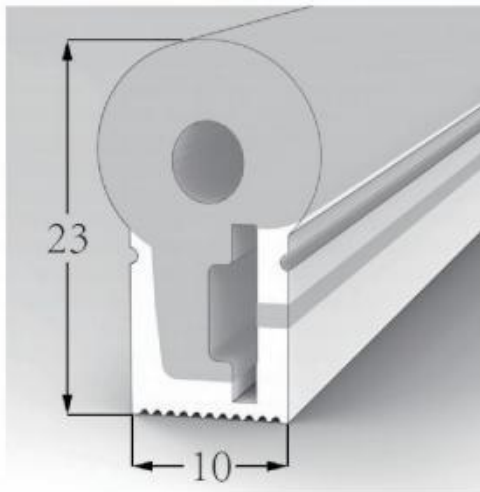
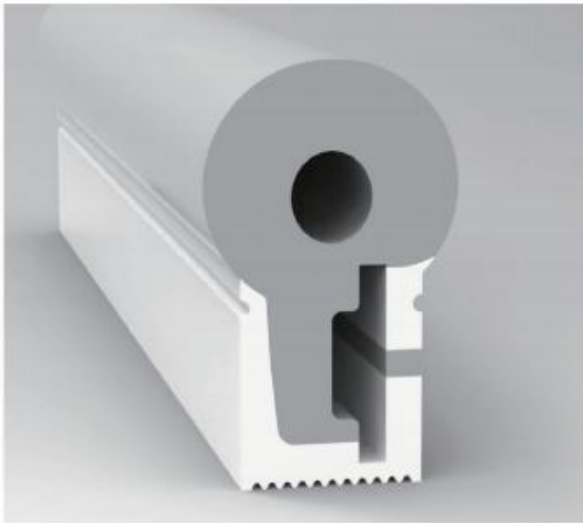
End cap with hole

End cap no hole

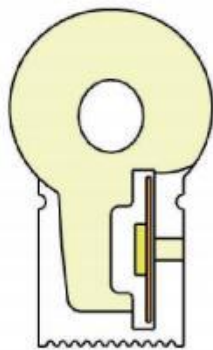
Aluminum Clip

Aluminum Profile

S1023 - Side view series A



PCB Width(mm)	10
Weight(g/m)	249
Section size(mm)	10*23
Beam angle	270°



Aluminum profile size(mm) :



Lighting Direction: Side Lighting

Cutting mark:Yes



End cap with hole

End cap no hole



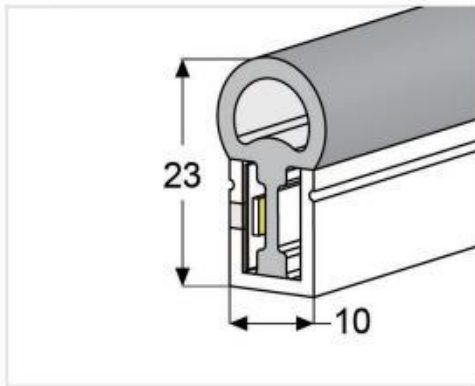
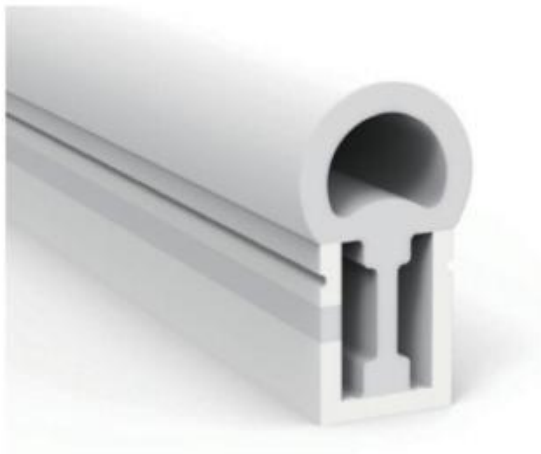
Aluminum Clip



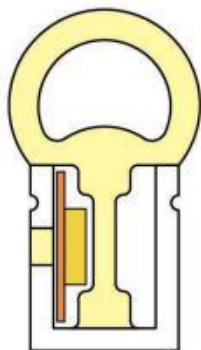
Aluminum Profile

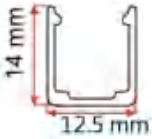
Flexible Profile

S1023 - Side view series B



PCB Width(mm)	10
Weight(g/m)	185
Section size(mm)	10*23
Beam angle	270°



Aluminum profile size(mm) :  14 mm x 12.5 mm
Lighting Direction: Side Lighting

Cutting mark:Yes



End cap with hole



End cap no hole



Aluminum Clip

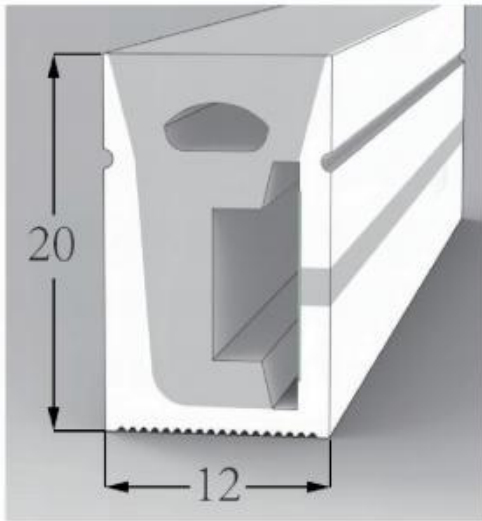
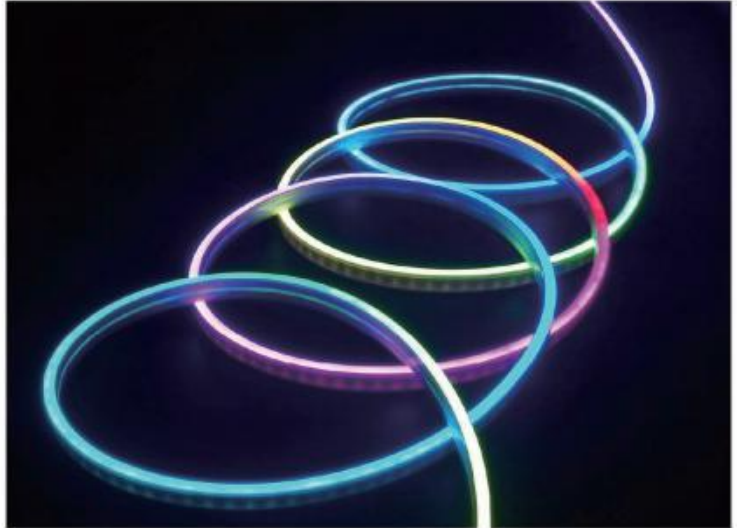
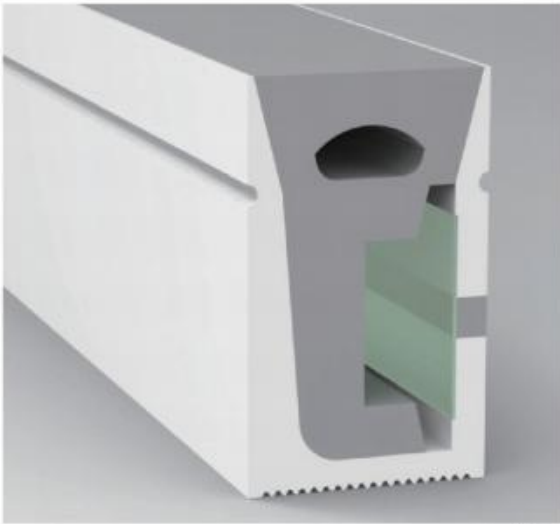


Aluminum Profile

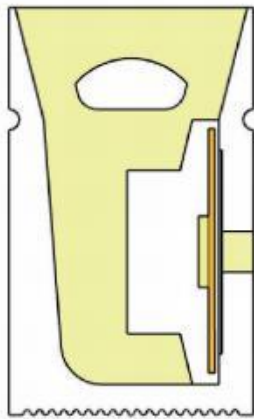


Flexible Profile

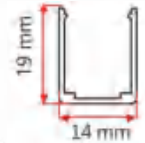
S1220 - Side view series C - with anti break plate



PCB Width(mm)	12
Weight(g/m)	246
Section size(mm)	12*20
Beam angle	120°



Aluminum profile size(mm) :



Lighting Direction: Side Lighting

Cutting mark:Yes



End cap with hole

End cap no hole



Aluminum Clip

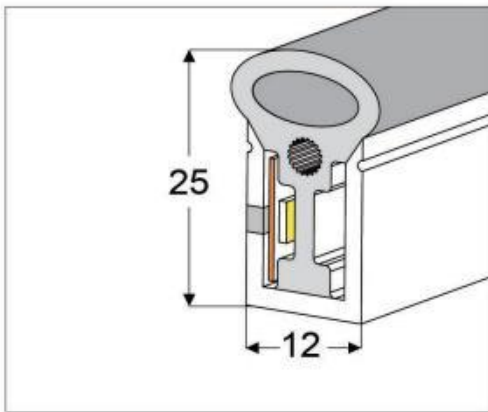
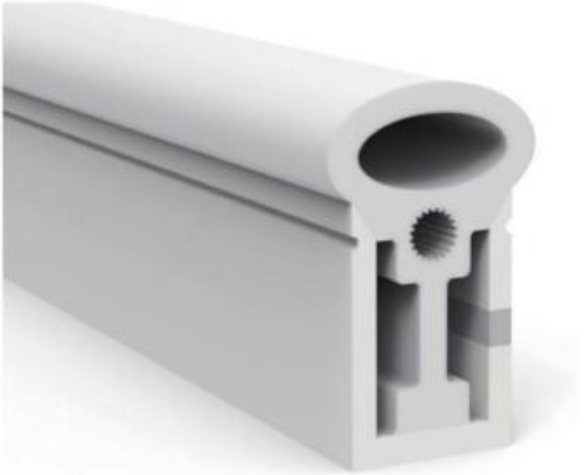


Aluminum Profile

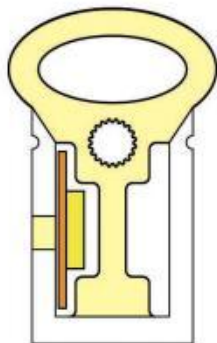


Flexible Profile

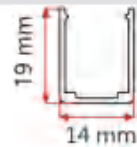
S1225 - Side view series A



PCB Width(mm)	10
Weight(g/m)	215
Section size(mm)	12*25
Beam angle	270°

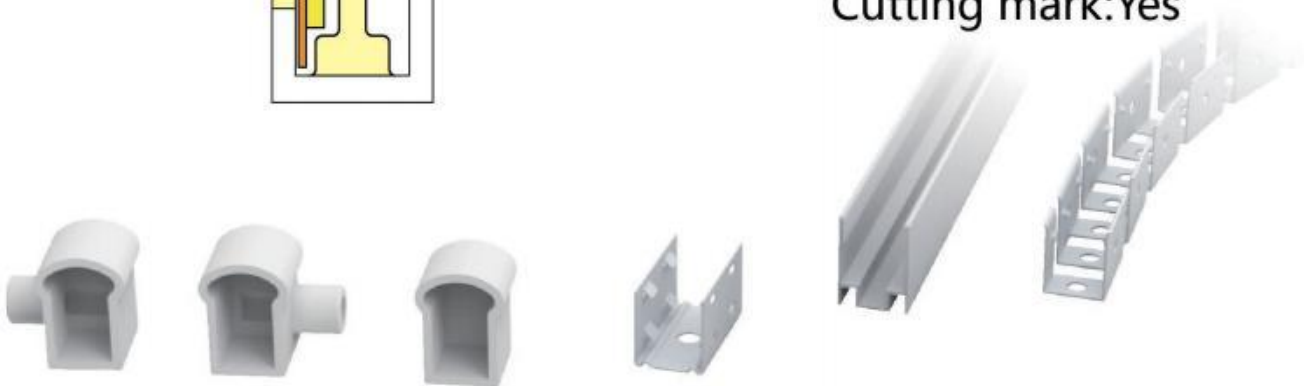


Aluminum profile size(mm) :



Lighting Direction: Side Lighting

Cutting mark:Yes



End cap with hole

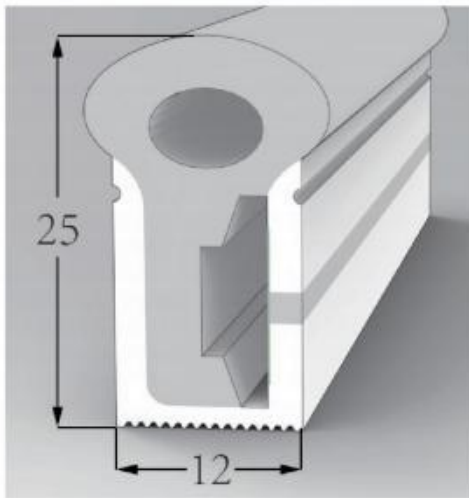
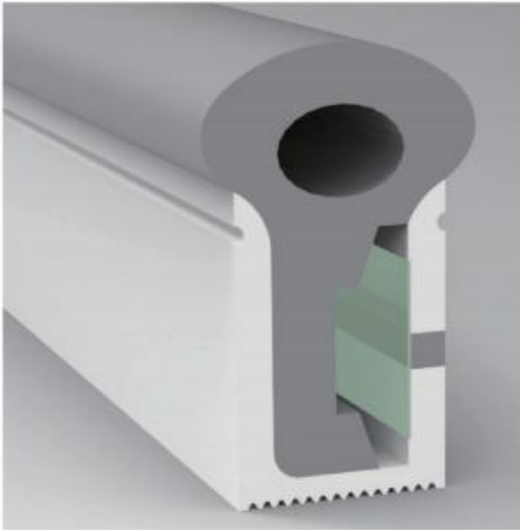
End cap no hole

Aluminum Clip

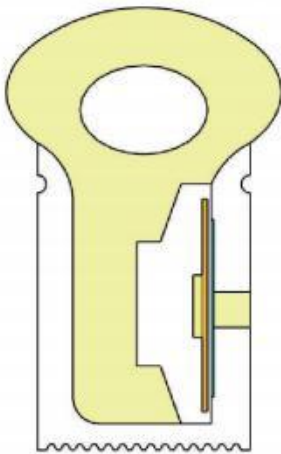
Aluminum Profile

Flexible Profile

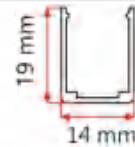
S1225 - Side view series B - with anti break plate



PCB Width(mm)	12
Weight(g/m)	305
Section size(mm)	12*25
Beam angle	270°



Aluminum profile size(mm) :



Lighting Direction: Side Lighting

Cutting mark:Yes



End cap with hole

End cap no hole



Aluminum Clip

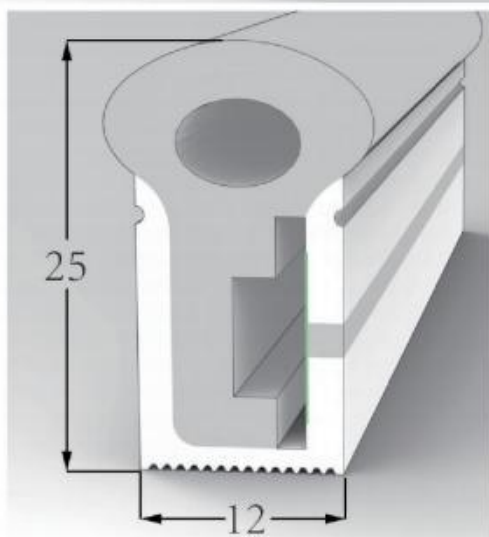
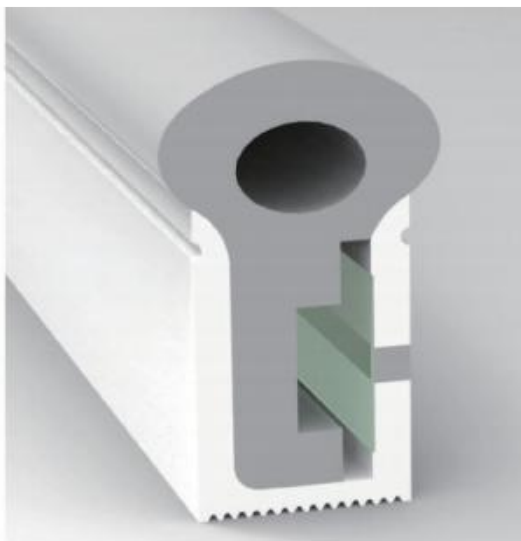


Aluminum Profile

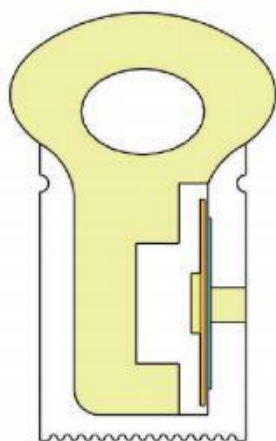


Flexible Profile

S1225 - Side view series C - with anti break plate



PCB Width(mm)	12
Weight(g/m)	310
Section size(mm)	12*25
Beam angle	270°



Lighting Direction: Side Lighting

Cutting mark:Yes



End cap with hole

End cap no hole



Aluminum Clip

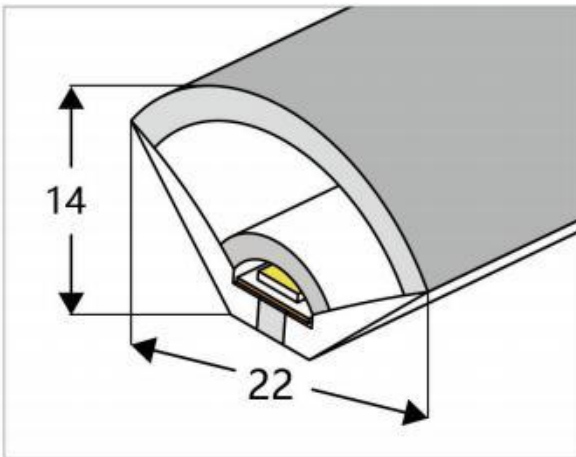


Aluminum Profile



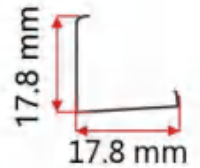
Flexible Profile

SV22 - Corner series



PCB Width(mm)	5
Weight(g/m)	168
Section size(mm)	22*14
Beam angle	180°

Aluminum profile size(mm) :



Top Lighting

Cutting mark:Yes



End cap with hole

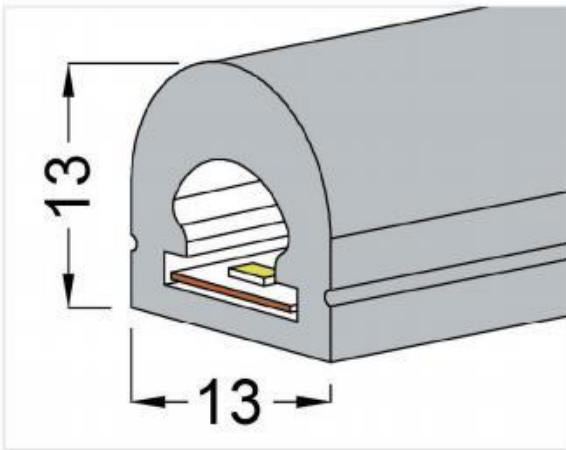
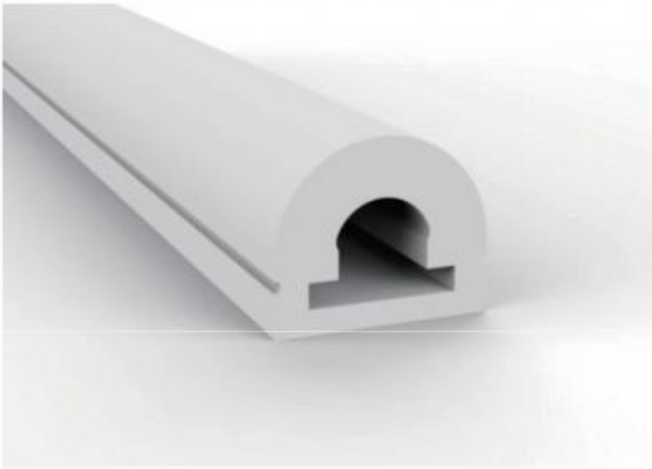


End cap no hole

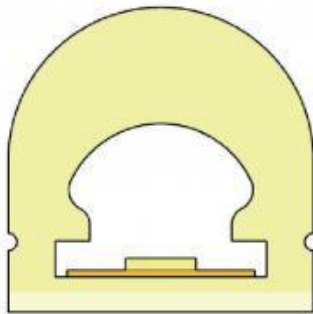


Aluminum Clip

S1313 - Round series 180°



PCB Width(mm)	8
Weight(g/m)	141
Section size(mm)	13*13
Beam angle	180°



Top Lighting

Cutting mark:Yes



End cap with hole

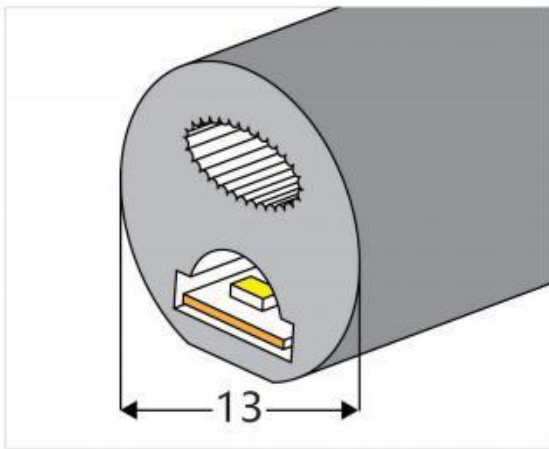
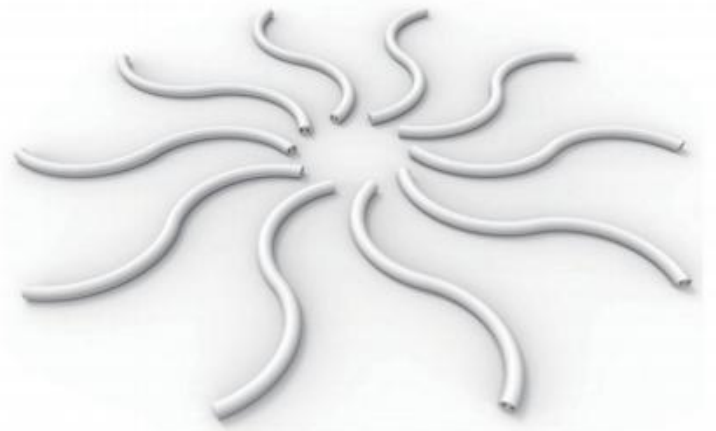


End cap no hole

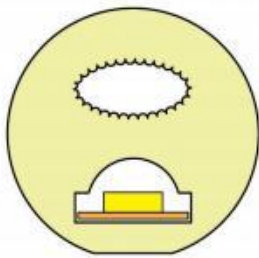


Plastic clip

S1313 - Round series 270°



PCB Width(mm)	5
Weight(g/m)	142
Section size(mm)	∅ 13
Beam angle	270°



Top Lighting



End cap with hole

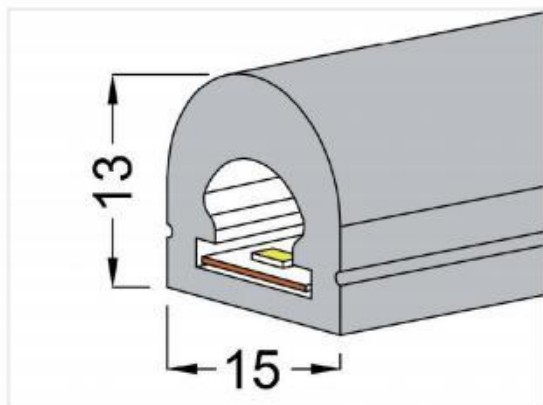
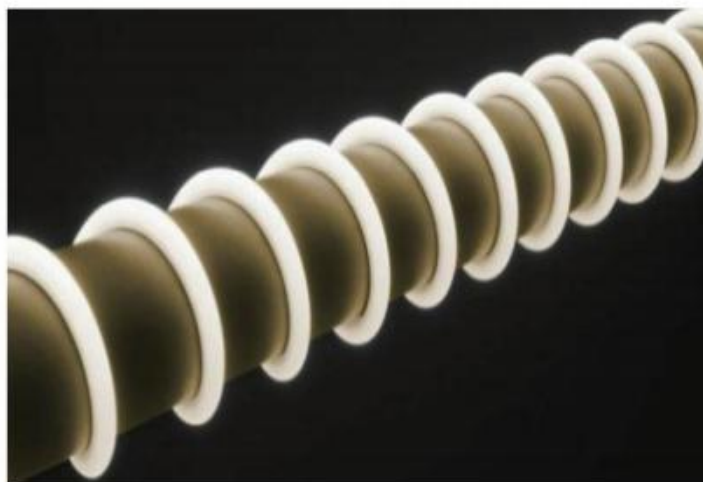
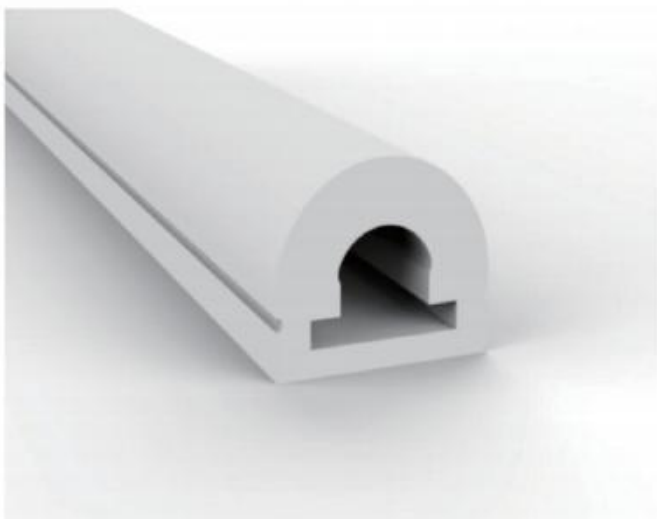


End cap no hole

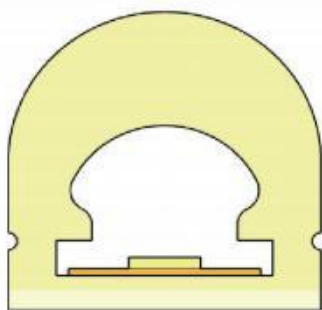


Plastic clip

S1513 - Round series 180°



PCB Width(mm)	10
Weight(g/m)	149.5
Section size(mm)	13*15
Beam angle	180°



Top Lighting



End cap with hole

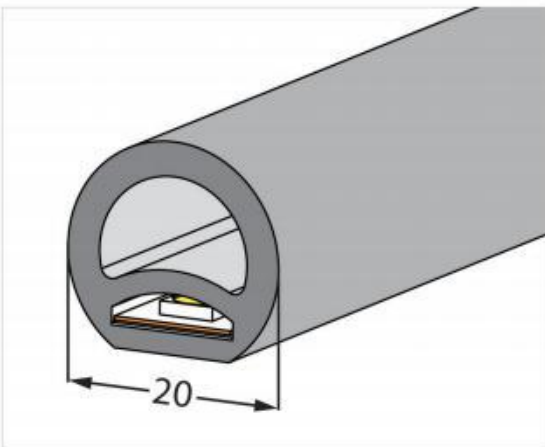
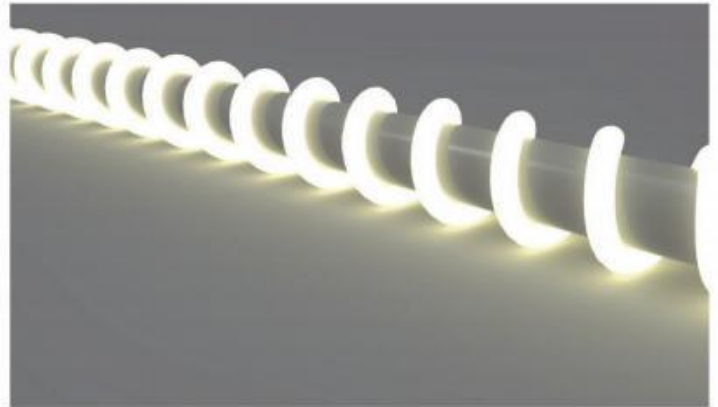


End cap no hole

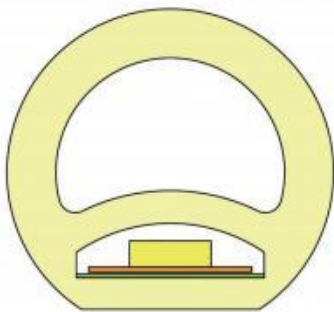


Plastic clip

SD20 - Round series 270° - with anti break plate



PCB Width(mm)	10
Weight(g/m)	313
Section size(mm)	∅ 20
Beam angle	270°



Top Lighting



End cap with hole

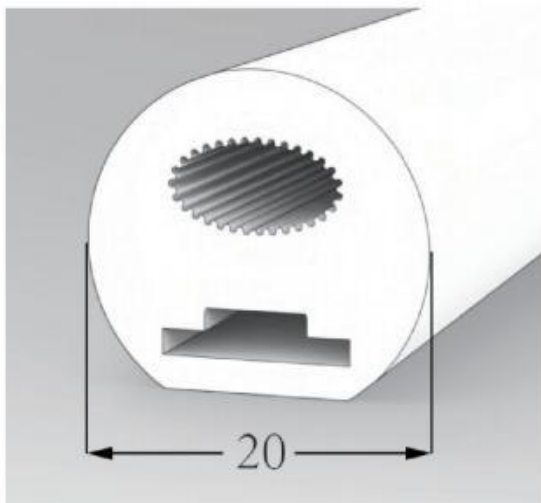
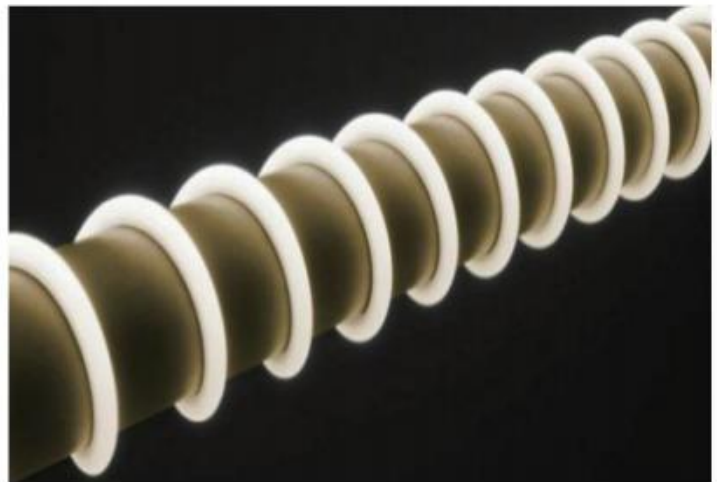
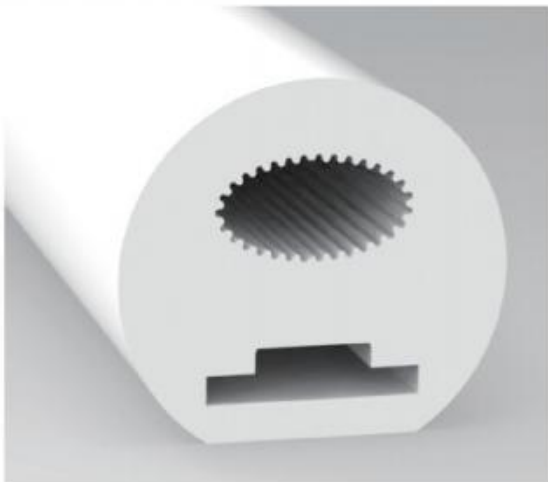


End cap no hole

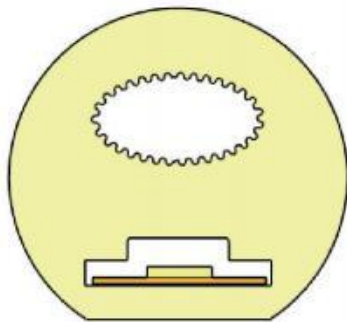


Plastic clip

SD22 - Round series 270°- with anti break plate



PCB Width(mm)	10
Weight(g/m)	313
Section size(mm)	∅ 20
Beam angle	270°



Lighting Direction: Top Lighting



End cap with hole

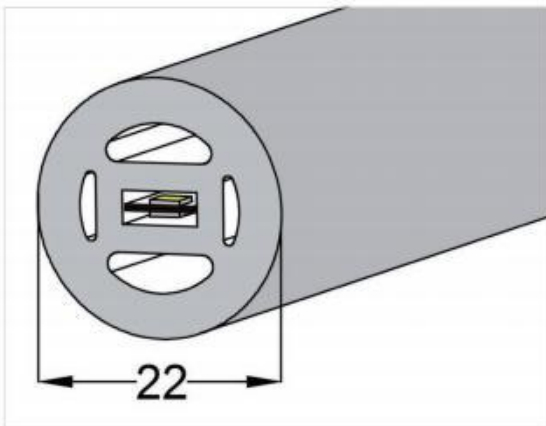


End cap no hole

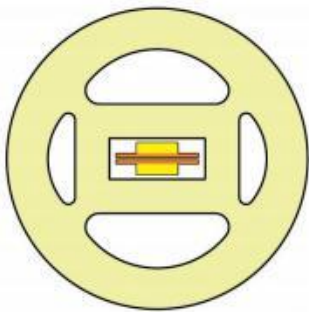


Plastic clip

SD22 - Round series 360° A



PCB Width(mm)	double-sided 6
Weight(g/m)	330
Section size(mm)	∅ 22
Beam angle	360°



Lighting Direction: 360°



End cap with hole

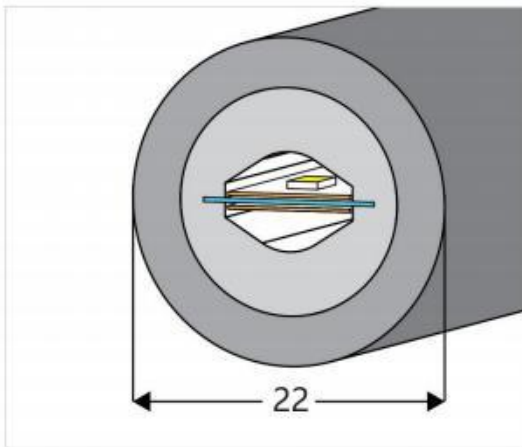


End cap no hole

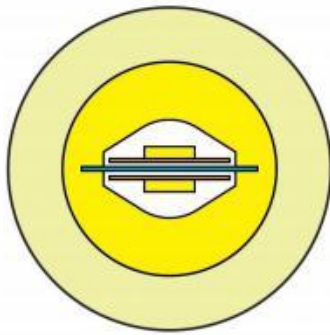


Plastic clip

SD22 - Round series 360° B - with anti break plate



PCB Width(mm)	double-sided 8
Weight(g/m)	420
Section size(mm)	∅ 22
Beam angle	360°



Lighting Direction: 360°



End cap with hole

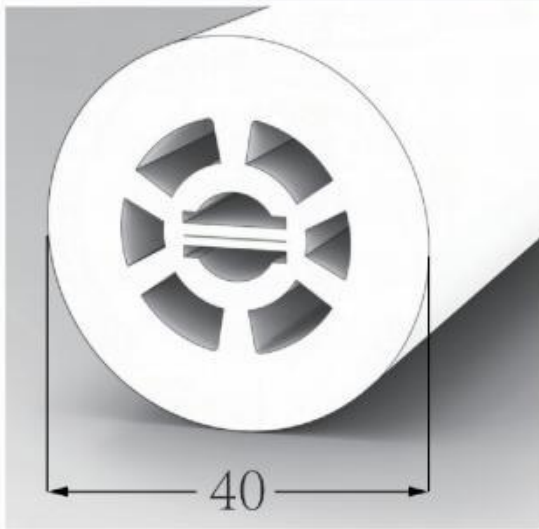
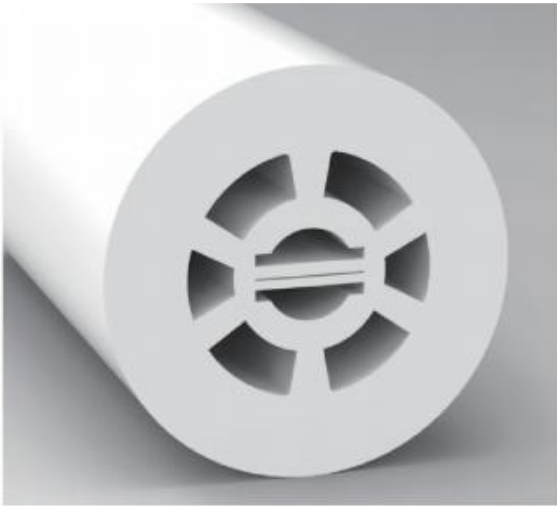


End cap no hole

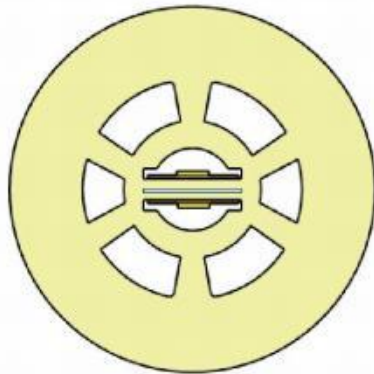


Plastic clip

SD40 - Round series 360° - with anti break plate



PCB Width(mm)	double-sided 10
Weight(g/m)	1309
Section size(mm)	∅ 40
Beam angle	360°



Lighting Direction: 360°



End cap with hole

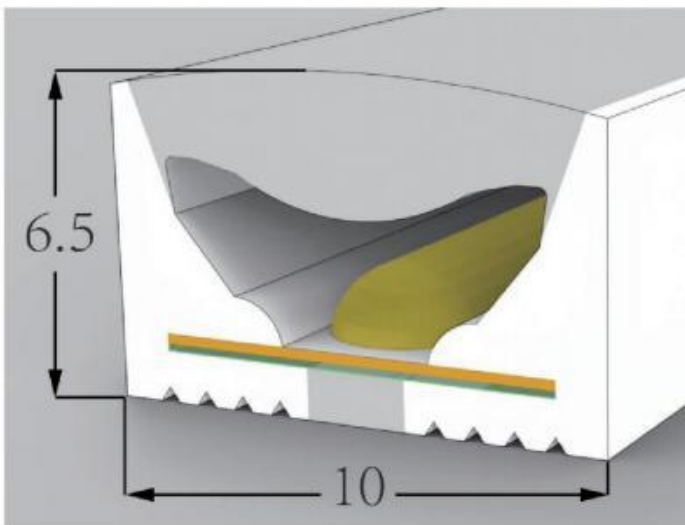
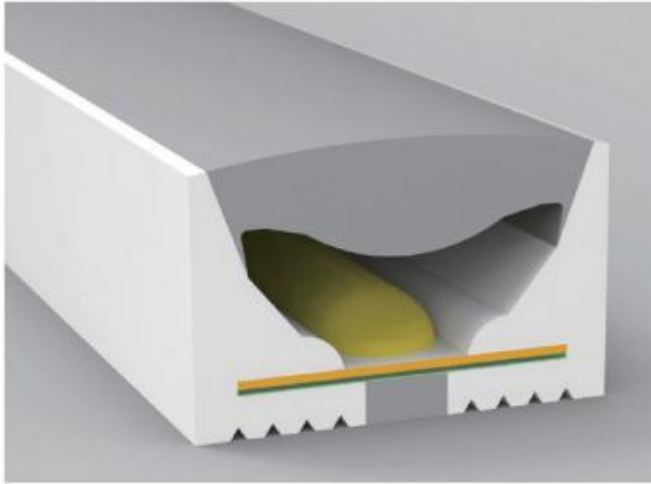


End cap no hole

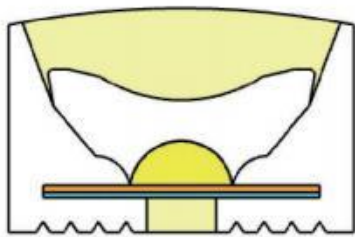


Plastic clip

S0610- Top View series with LED version 50m/roll



PCB Width(mm)	8
Weight(g/m)	53
Section size(mm)	6*10
Beam angle	120°



Lighting Direction: Top Lighting

Cutting mark:Yes



End cap with hole



End cap no hole



0610

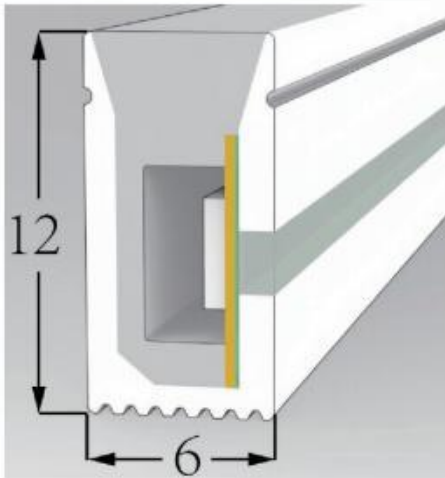
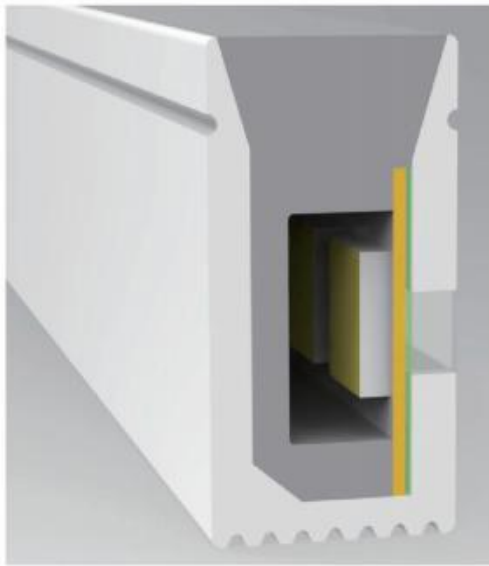
Plastic clip



0610

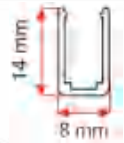
Plastic clip

S0612 - Side View series with LED version 50m/roll



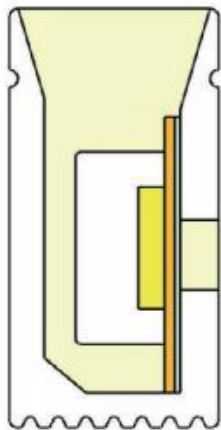
PCB Width (mm)	8
Weight (g/m)	81
Section size (mm)	6*12
Beam angle	120°

Aluminum profile size(mm) :



Lighting Direction: Side Lighting

Cutting mark: Yes



End cap with hole

End cap no hole

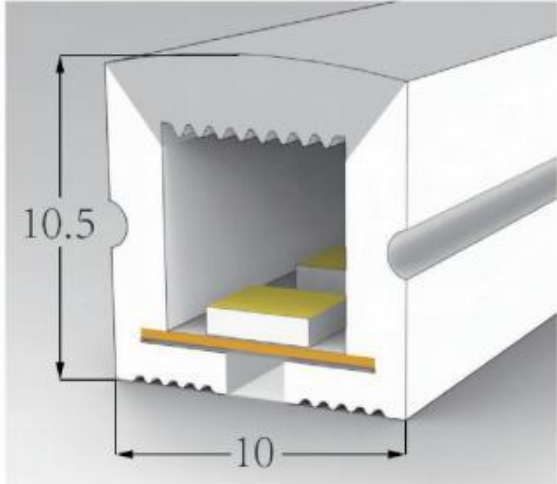
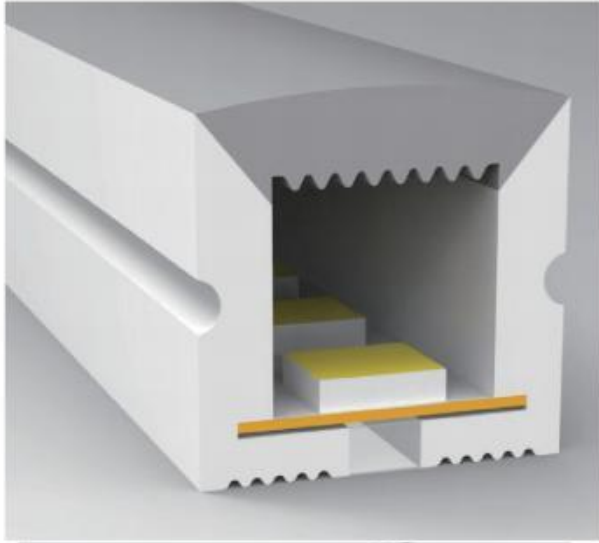
Aluminum Clip

Aluminum Profile

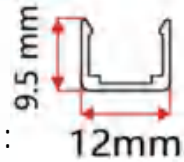
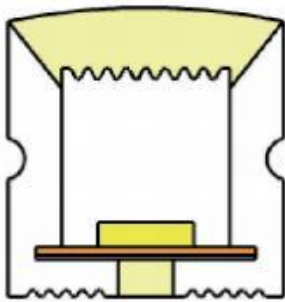
Flexible Profile



S1010 - Top View series with LED version 50m/roll A



PCB Width (mm)	8
Weight (g/m)	102
Section size (mm)	10*10
Beam angle	120°



Aluminum profile size(mm) : 12mm

Lighting Direction: Top Lighting

Cutting mark:Yes



End cap with hole

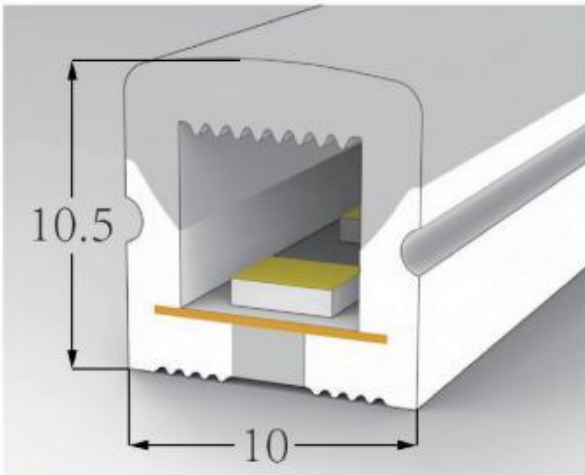
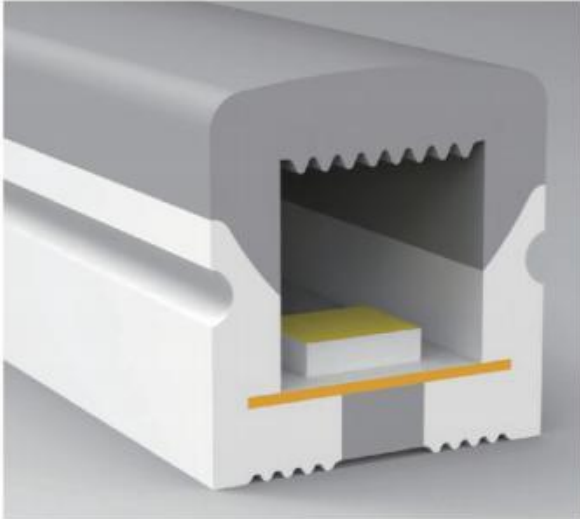
End cap no hole

Aluminum Clip

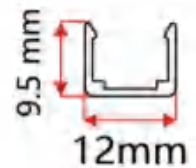
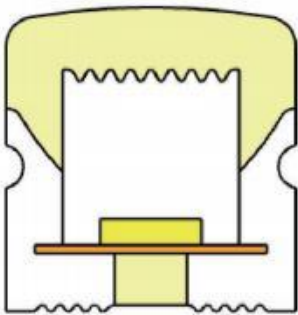
Aluminum Profile

Flexible Profile

S1010 - Top View series with LED version 50m/roll B



PCB Width(mm)	8
Weight(g/m)	85
Section size(mm)	10*10
Beam angle	180°



Aluminum profile size(mm) :

Lighting Direction: 3 sides Top Lighting

Cutting Mark Yes

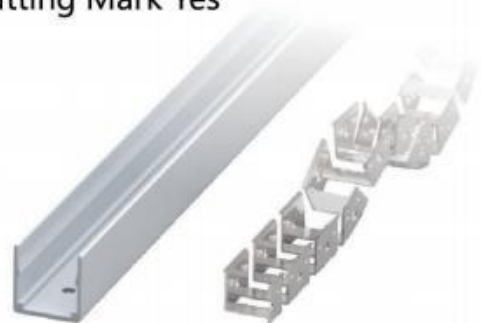


End cap with hole

End cap no hole



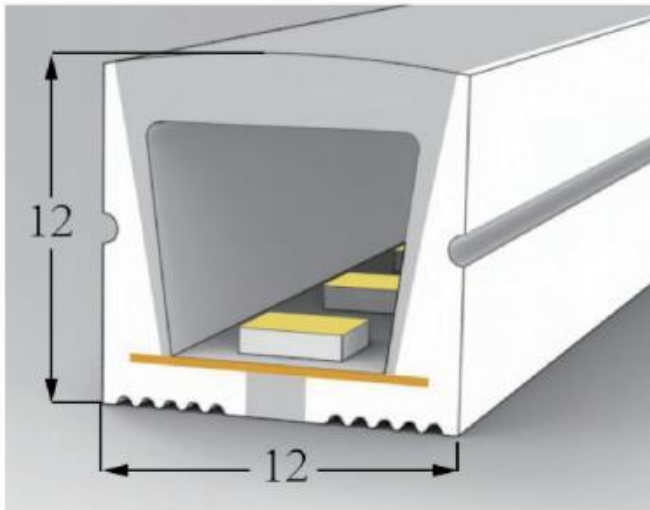
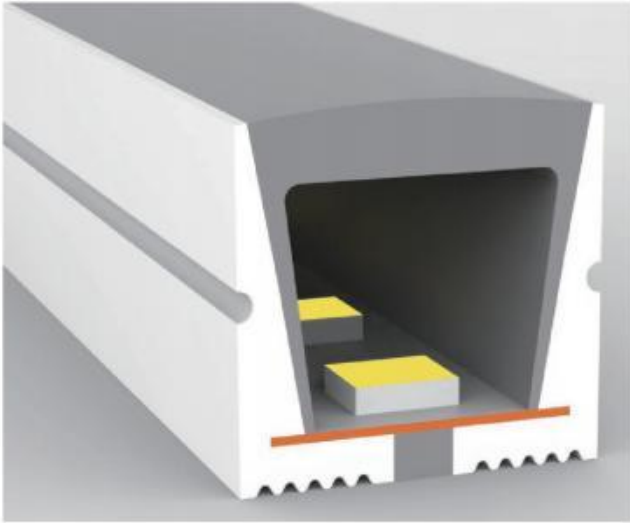
Aluminum Clip



Aluminum Profile

Flexible Profile

S1212 - Top View series with LED version 50m/roll

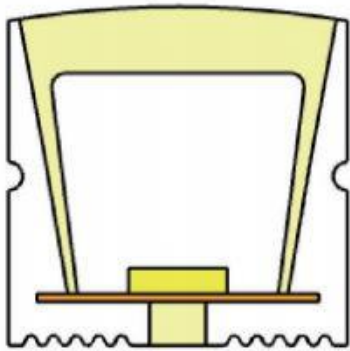


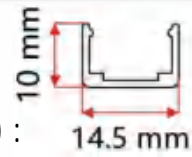
PCB Width(mm) 8/10

Weight(g/m) 113

Section size(mm) 12*12

Beam angle 120°



Aluminum profile size(mm) :  10 mm
14.5 mm

Top Lighting

Cutting mark:Yes



End cap with hole

End cap no hole



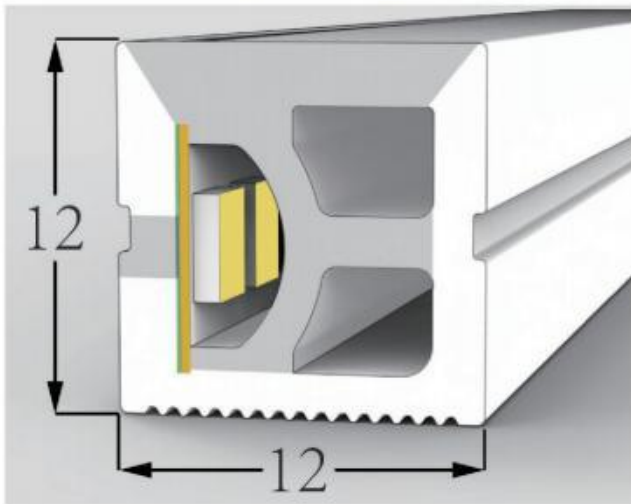
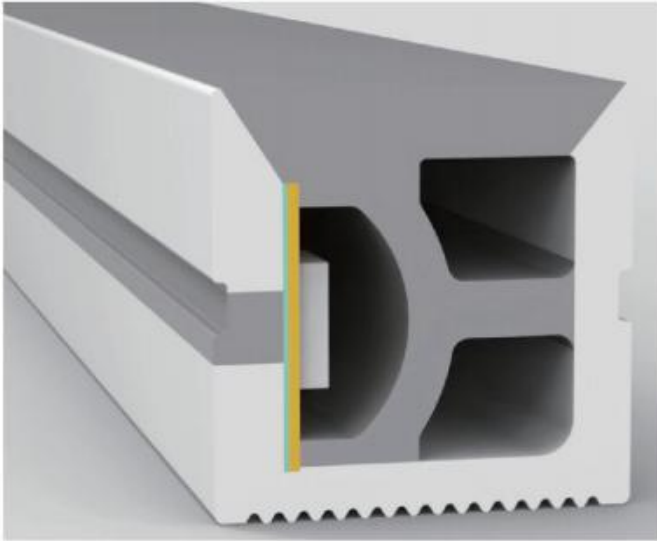
Aluminum Clip



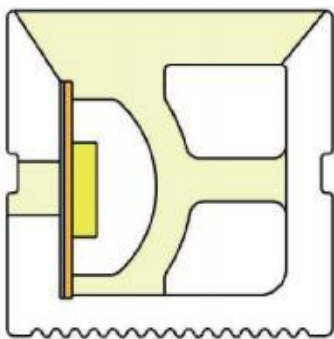
Aluminum Profile

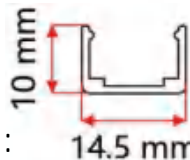
Flexible Profile

S1212 - Side View series with LED version 50m/roll



PCB Width(mm)	8
Weight(g/m)	132
Section size(mm)	12*12
Beam angle	120°



Aluminum profile size(mm) :  10 mm 14.5 mm

Side Lighting

Cutting mark:Yes



End cap with hole

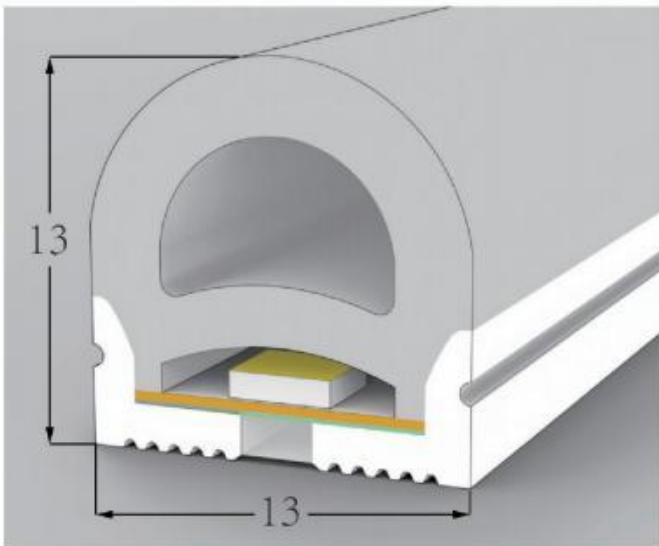
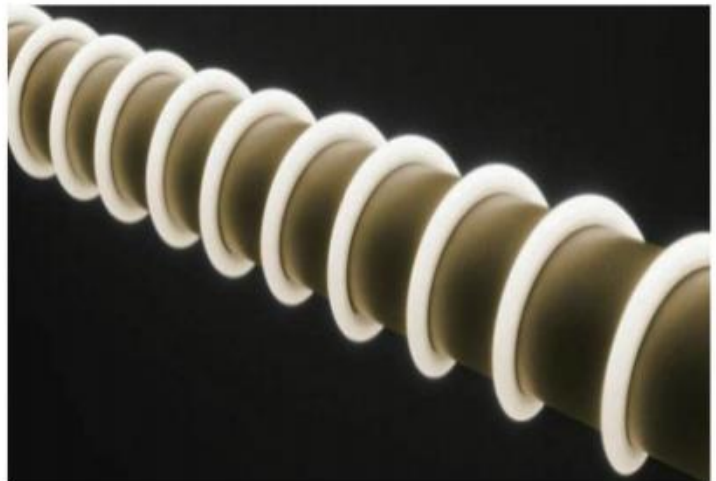
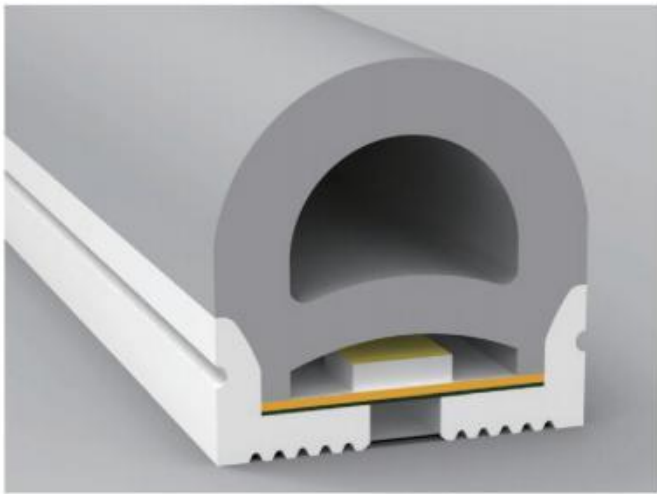
End cap no hole

Aluminum Clip

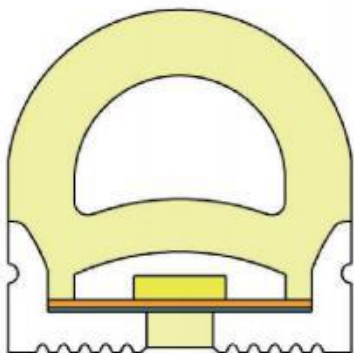
Aluminum Profile

Flexible Profile

S1313 - Round View series with LED version 50m/roll



PCB Width(mm)	10
Weight(g/m)	149
Section size(mm)	13*13
Beam angle	180°



Lighting Direction: Top Lighting

Cutting mark:Yes



End cap with hole

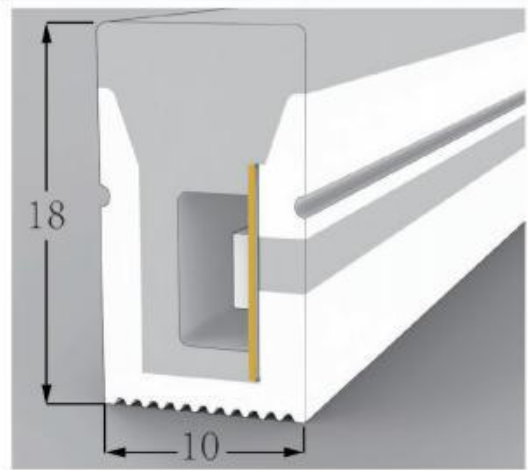
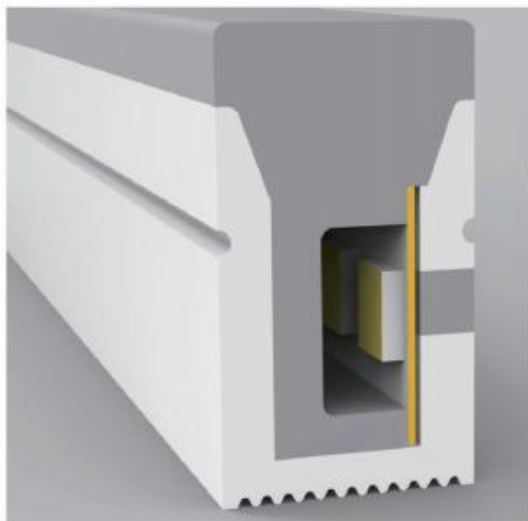


End cap no hole



Plastic clip

S1018 - Side View series with LED version 50m/roll

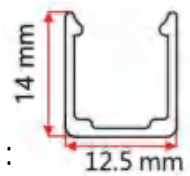
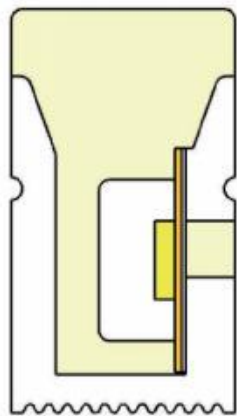


PCB Width(mm) 10

Weight(g/m) 186

Section size(mm) 10*18

Beam angle 180°



Aluminum profile size(mm) :

Lighting Direction: 3 sides Top Lighting

Cutting mark:Yes



End cap with hole

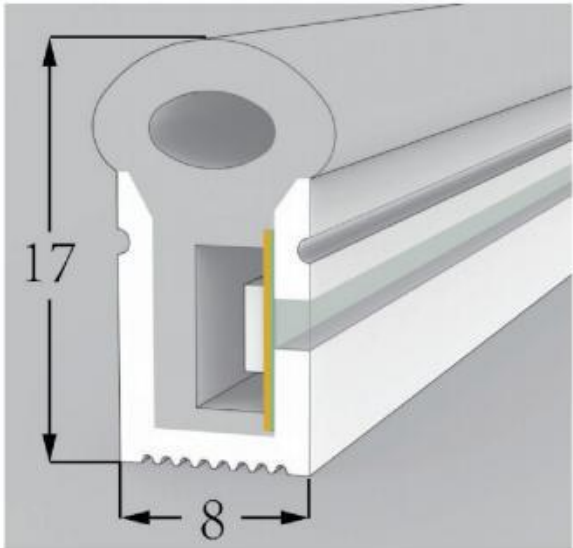
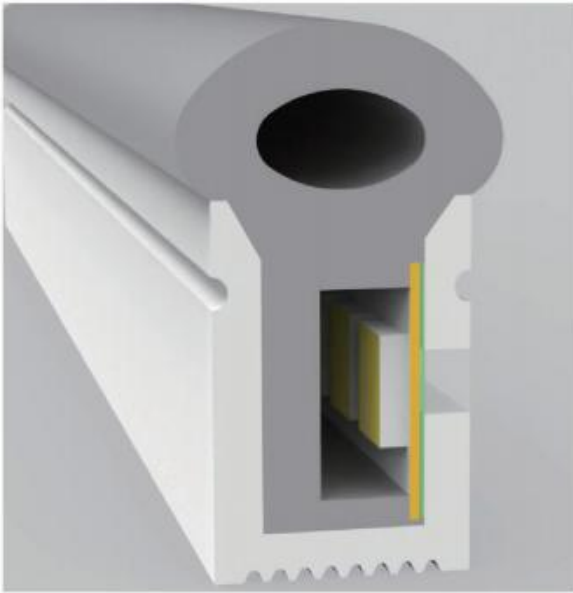
End cap no hole

Aluminum Clip

Aluminum Profile

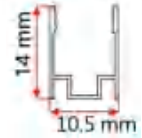
Flexible Profile

S0817 - Side View series with LED version 50m/roll



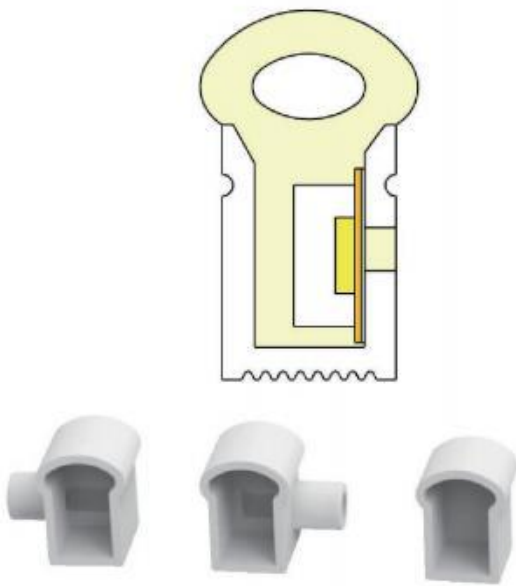
PCB Width(mm)	8
Weight(g/m)	148
Section size(mm)	8*17
Beam angle	270°

Aluminum profile size(mm) :



Lighting Direction: Side Lighting

Cutting mark:Yes



End cap with hole

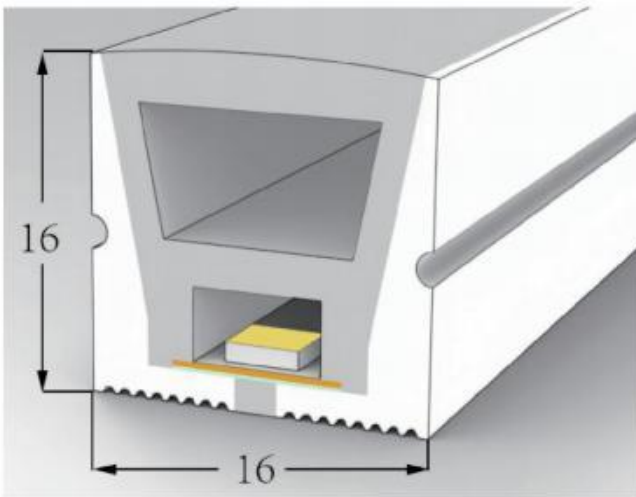
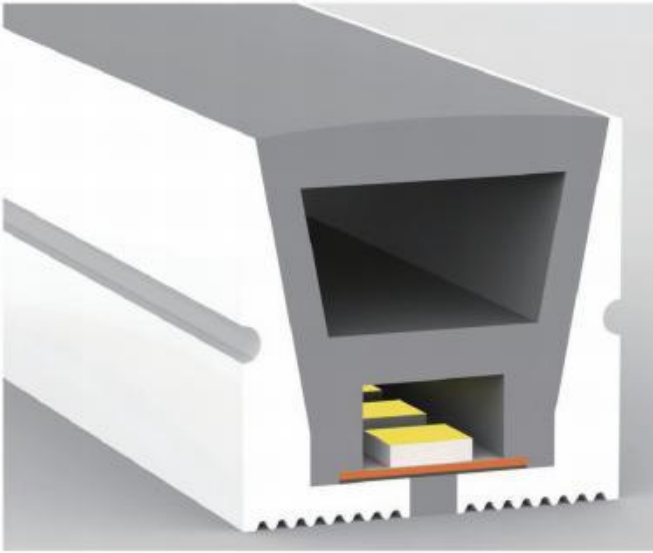
End cap no hole

Aluminum Clip

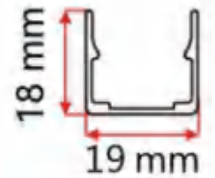
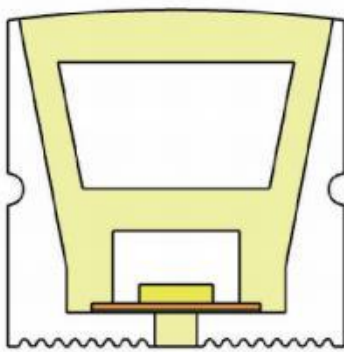
Aluminum Profile

Flexible Profile

S1616 - Top View series with LED version 50m/roll



PCB Width(mm)	10
Weight(g/m)	224
Section size(mm)	16*16
Beam angle	120°



Aluminum profile size(mm) :

Lighting Direction: Top Lighting

Cutting mark:Yes



End cap with hole

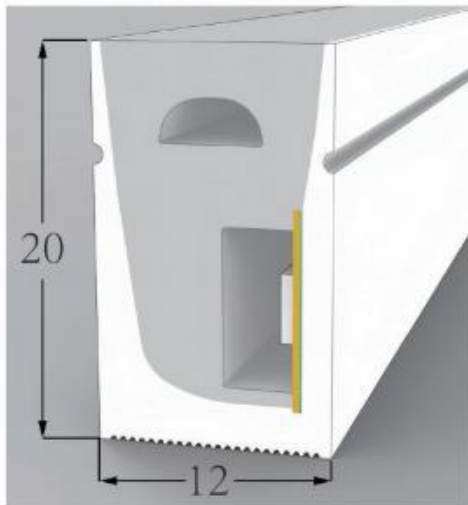
End cap no hole

Aluminum Clip

Aluminum Profile

Flexible Profile

S1220 - Top View series with LED version 50m/roll

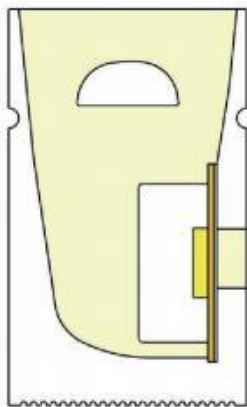


PCB Width(mm) 10

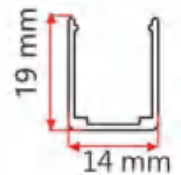
Weight(g/m) 235

Section size(mm) 20*12

Beam angle 120°



Aluminum profile size(mm) :



Side Lighting

Cutting mark:Yes



End cap with hole

End cap no hole



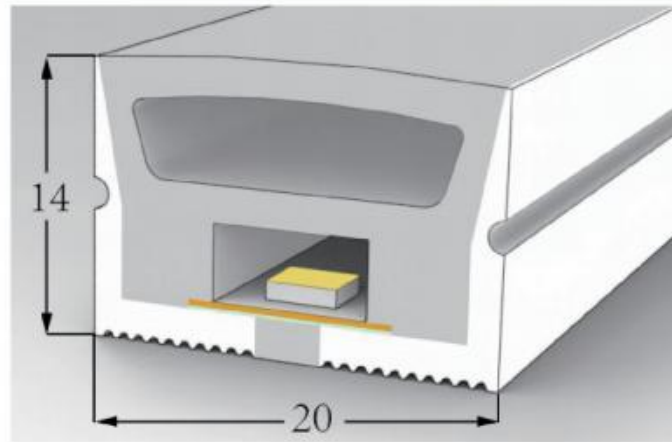
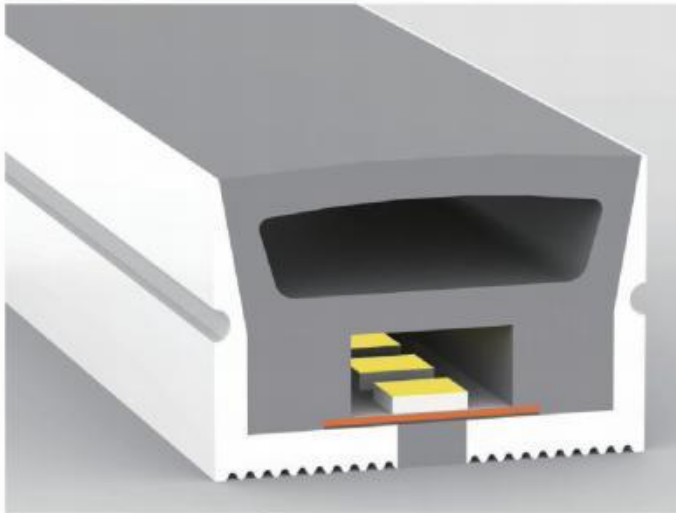
Aluminum Clip



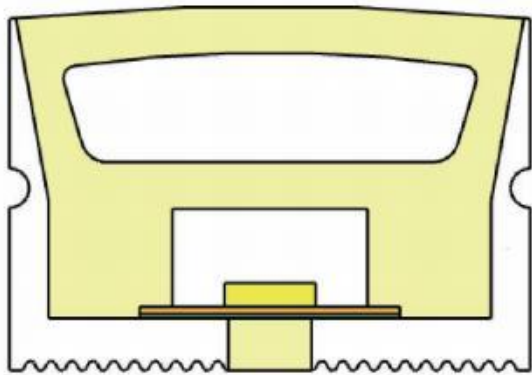
Aluminum Profile

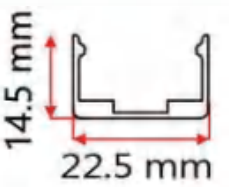
Flexible Profile

S2014 - Top View series with LED version 50m/roll



PCB Width(mm)	10
Weight(g/m)	244
Section size(mm)	20*14
Beam angle	120°



Aluminum profile size(mm) :  14.5 mm
22.5 mm

Lighting Direction: Top lighting

Cutting mark:Yes



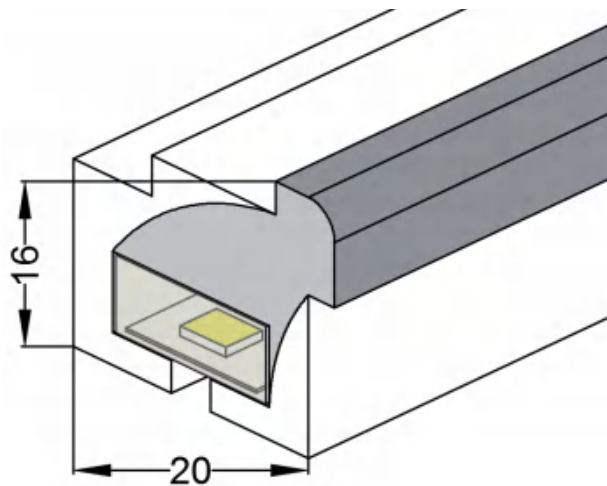
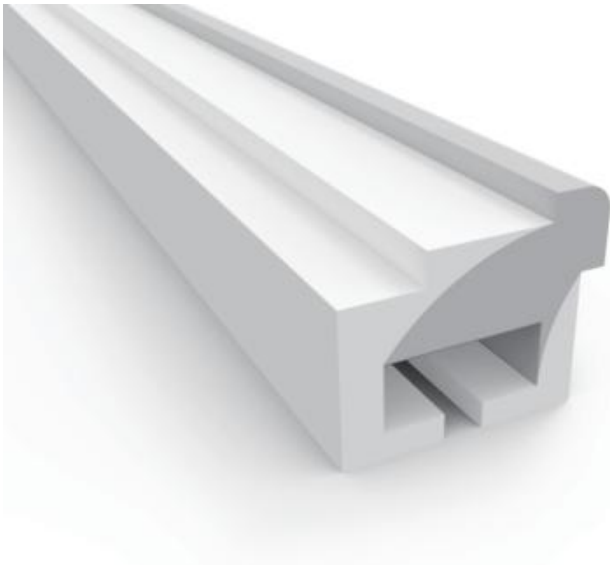
End cap with hole

End cap no hole

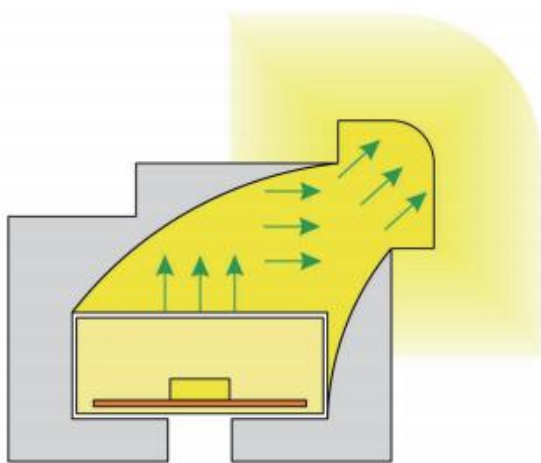
Aluminum Clip

Aluminum Profile

S2016 - Top View - Special series A

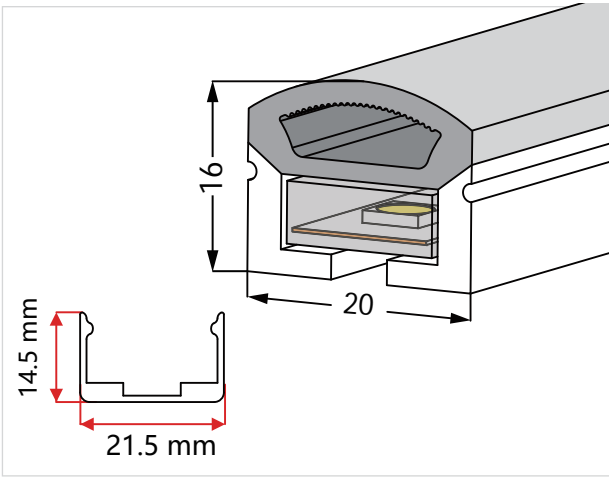
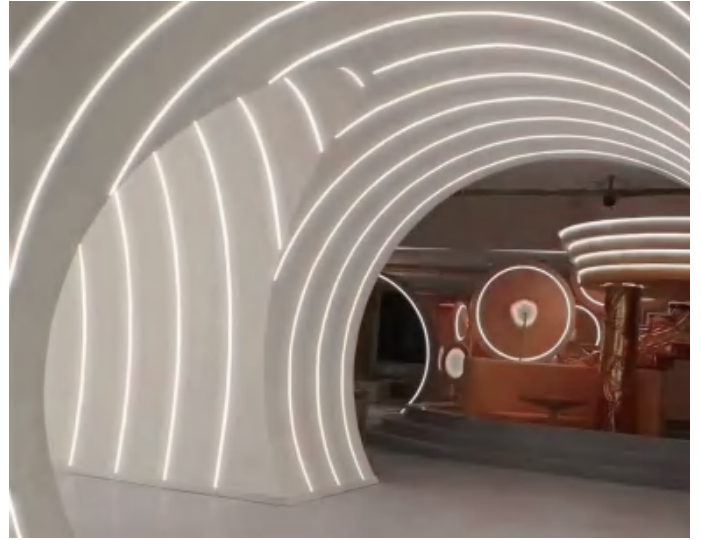
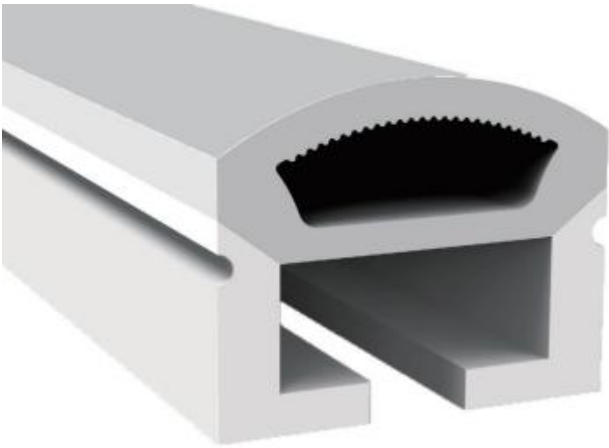


PCB Width(mm)	10
Weight(g/m)	235
Section size(mm)	16*20
Beam angle	270°

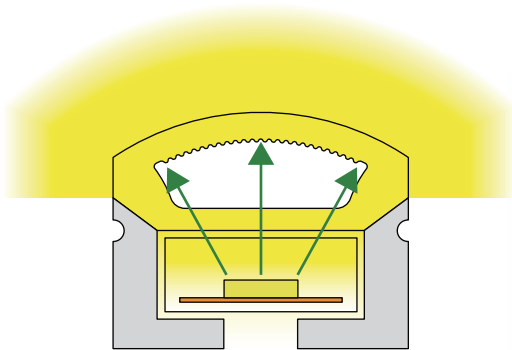


Lighting Direction: Positive Lighting

S2016 - Top View 3sides - Special series B



PCB Width(mm)	10
Weight(g/m)	236
Section size(mm)	20*16
Beam angle	180°



Lighting Direction: 3 sides Top Lighting

Cutting mark:Yes



Aluminum Clip

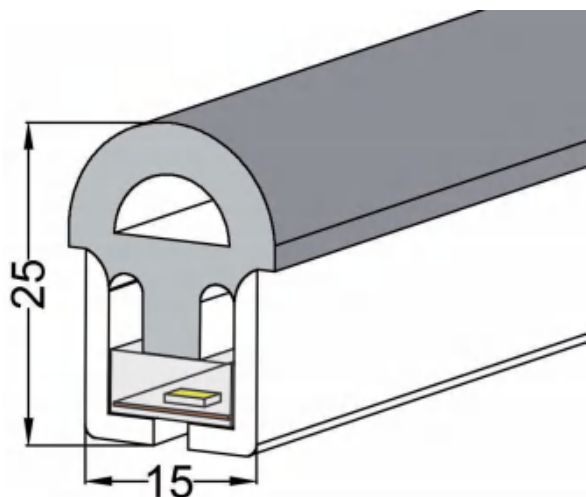


Aluminum Profile

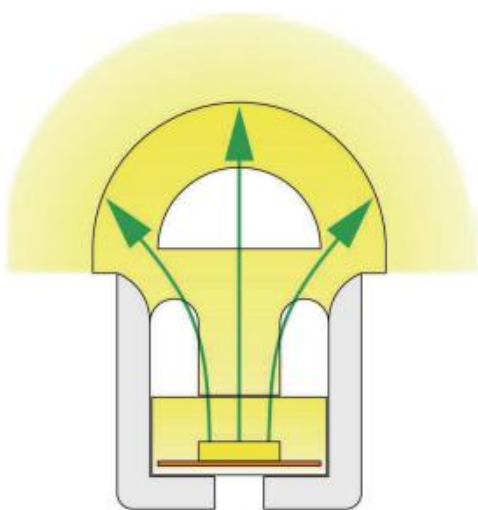


Flexible Profile

S1525 - Top View - Special series

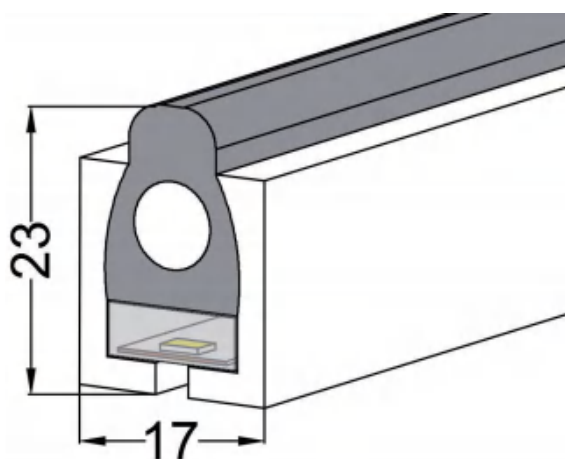
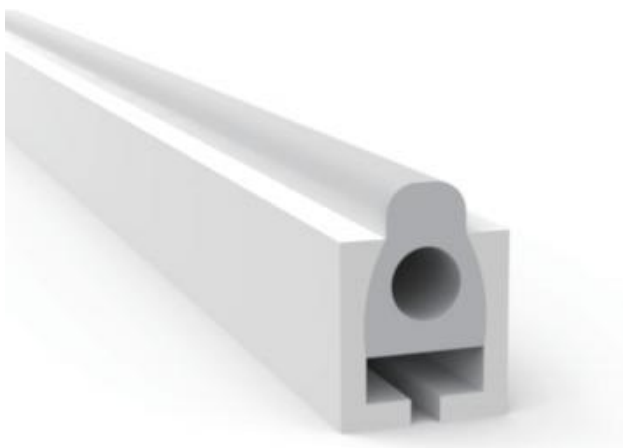


PCB Width(mm)	10
Weight(g/m)	297
Section size(mm)	15*25
Beam angle	180°

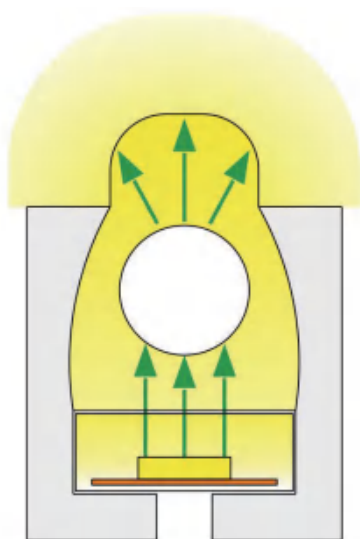


Lighting Direction: Positive Lighting

S1723 - Top View - Special series

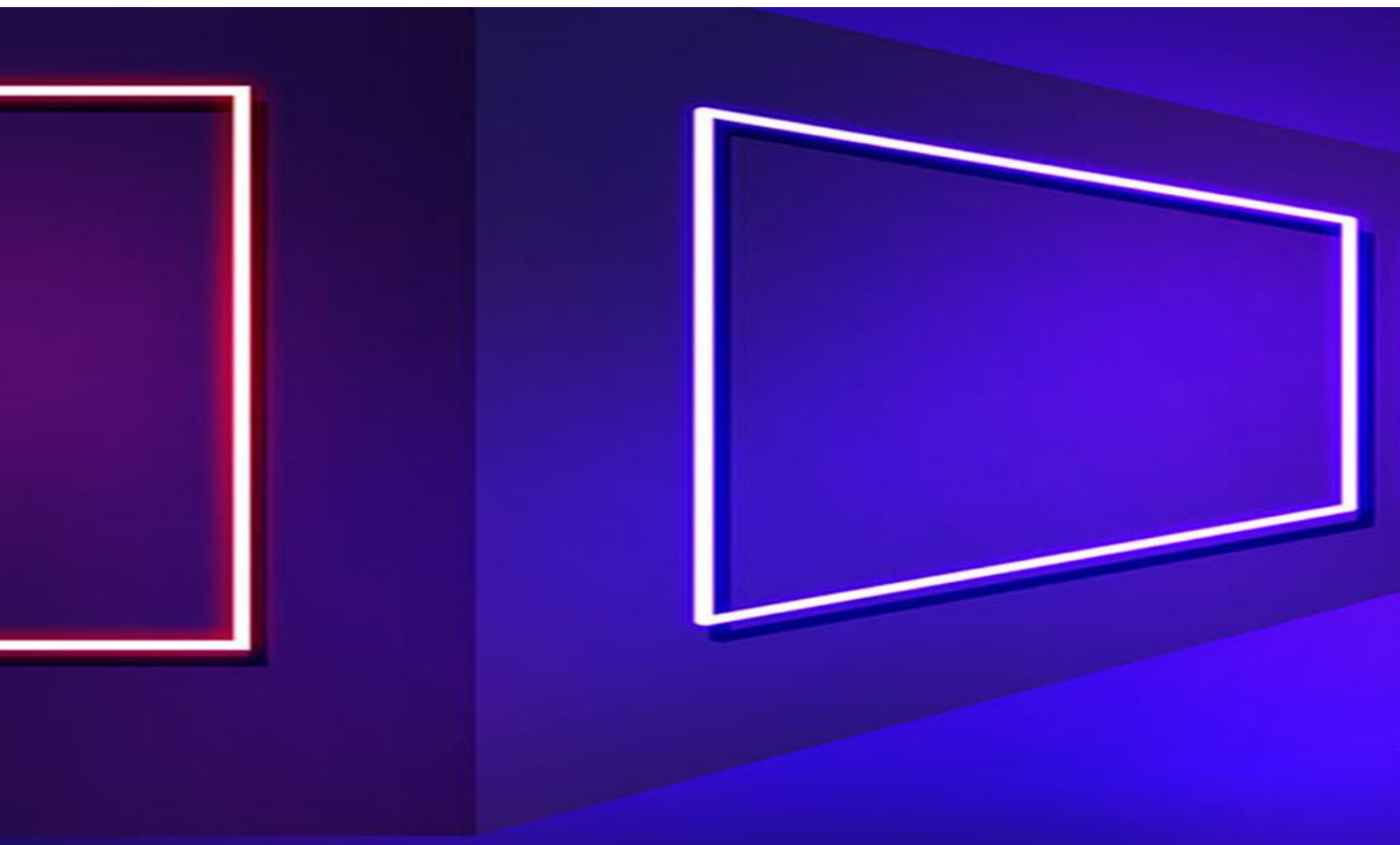


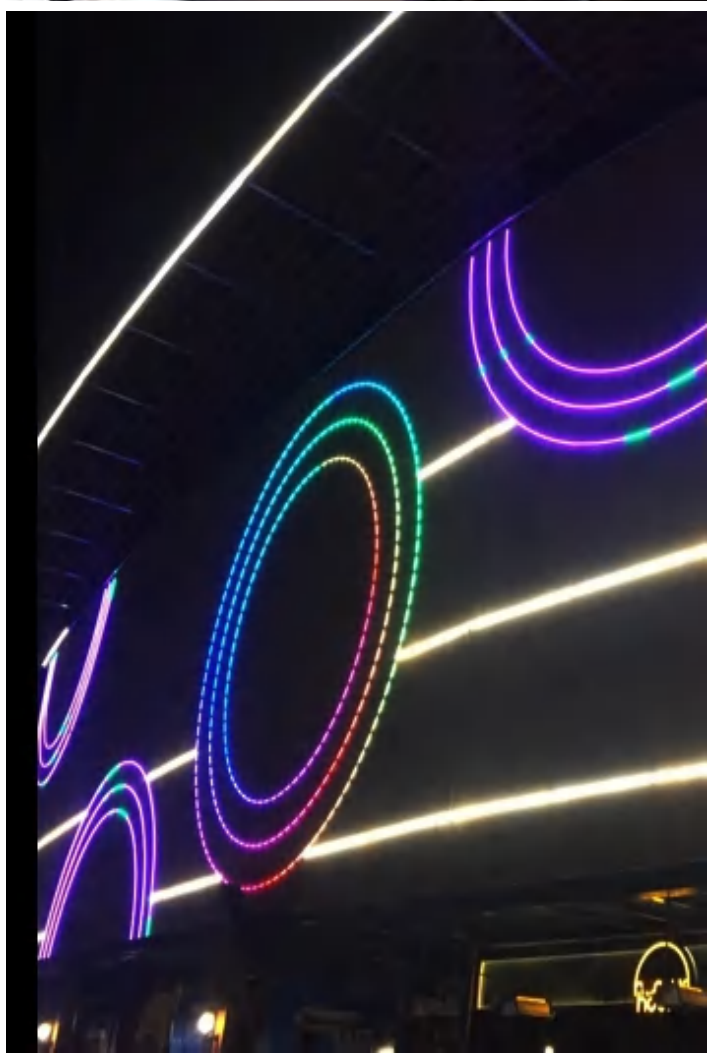
PCB Width(mm)	10
Weight(g/m)	264
Section size(mm)	17*23
Beam angle	180°



Lighting Direction: Positive Lighting

Application scenarios





Actual pictures

