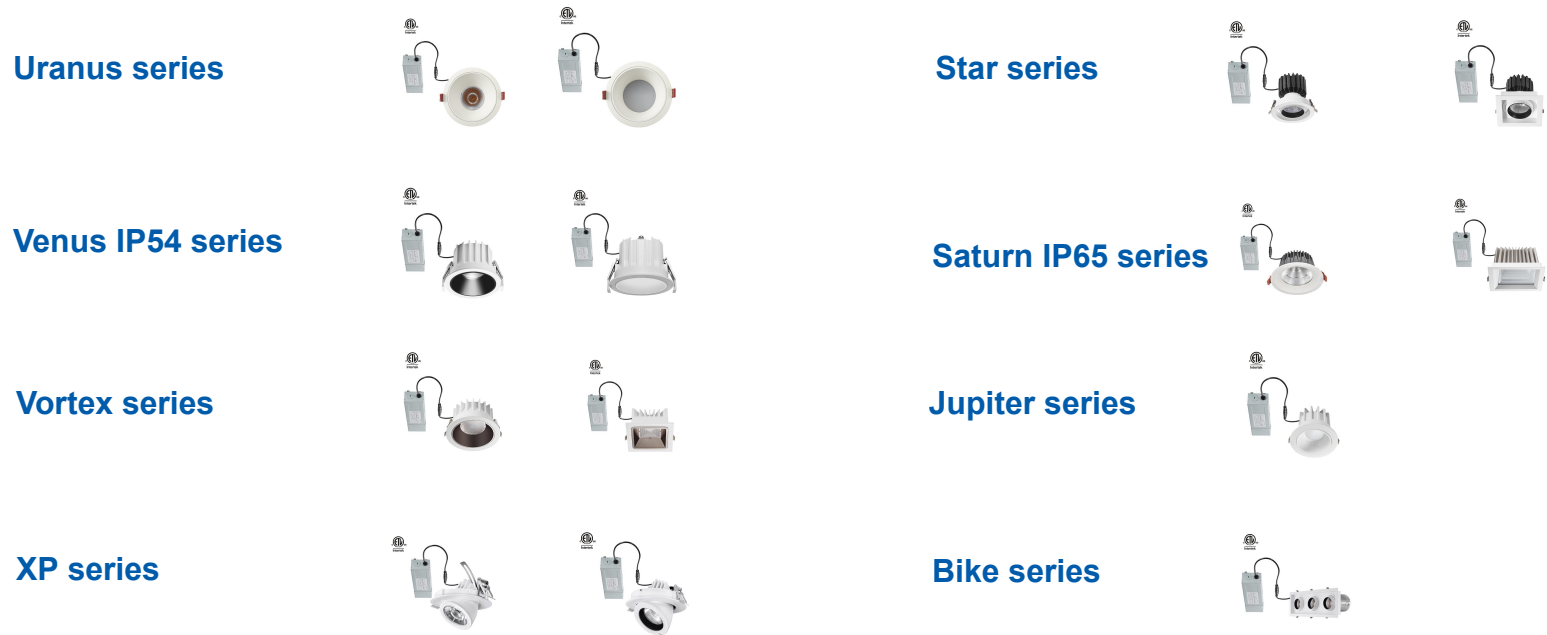


1nd part: Darklight and other commercial recessed LED Downlight

Darklight technology(**Anti-Glare**) downlight,suit for 5-star hotels using



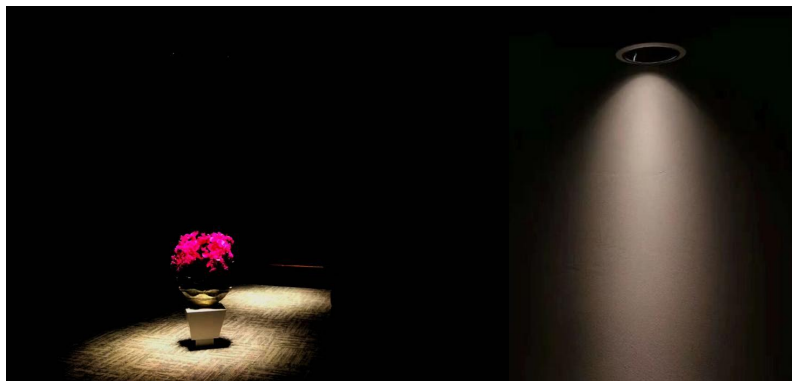
Commercial LED downlight suit for other high-end places



Why dark-light technology LED downlight?



Traditional LED downlight



Darklight technology LED downlight

Item 1: Less Series



Less Series LED downlight, **“Dark light” technology, Lens structure.**

Total Power: 8-12W/15-20W/25-30W/30-35W (different sizes), input: 100-277V AC

On-off/triac/0-10V/Dali dimming available

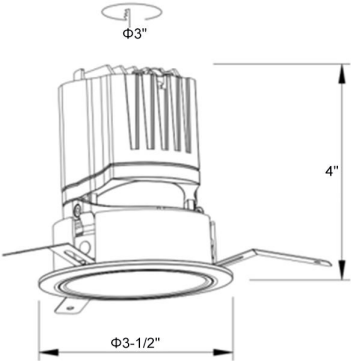
Beam angle 15D/24D/38D/60D, **Ra>90, UGR<13**

Round & square shape available, **swiveling type**

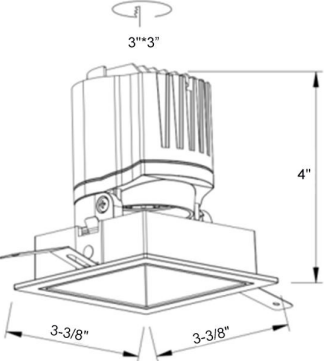
5 years warranty, ETL certification

Application: guest room, corridor, restaurant, meeting room, club, hall, hotel entrance

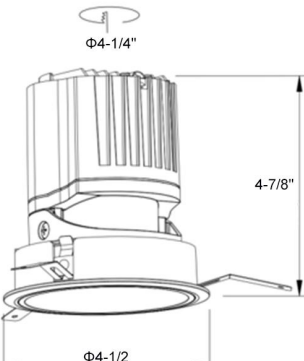
Item 1: Less Series---round & square shape size



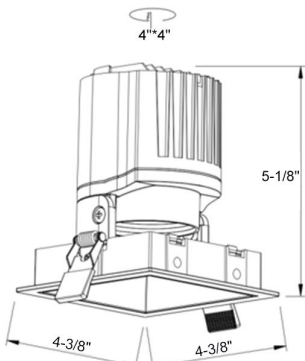
8-12W round



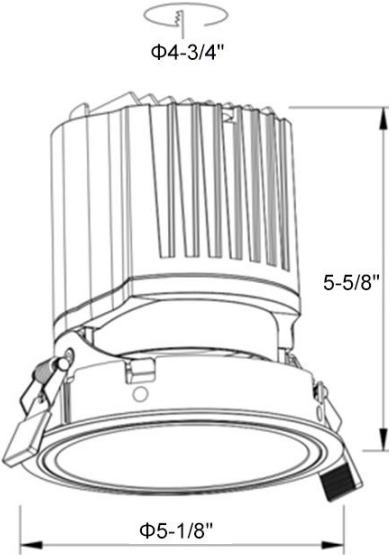
8-12W square



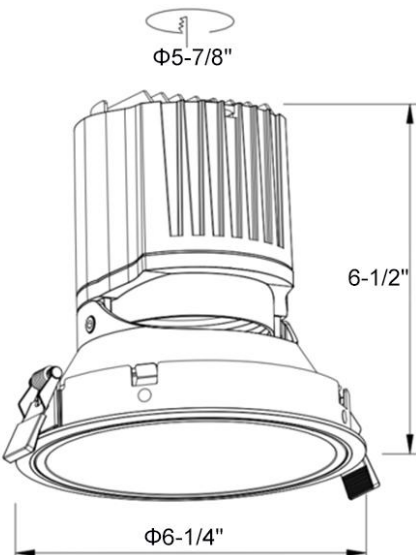
15-20W round



15-20W square



25-30W



30-35W

Item 1: Less Series---accessory options

Reflector color options



White

(Round 3" 4",
Square 3" 4")

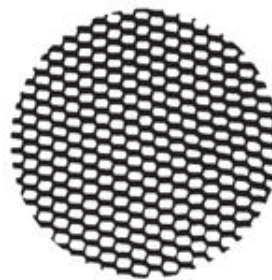
Silver

(Round 3" 4" 5",
Square 3" 4")

Black(darklight technology)

(Round 3" 4" 5" 6",
Square 3" 4")

Optics accessory Option
(add extra USD1.00/unit)



Honeycomb



Soft-light plate

Item 1: Less Series-application reference

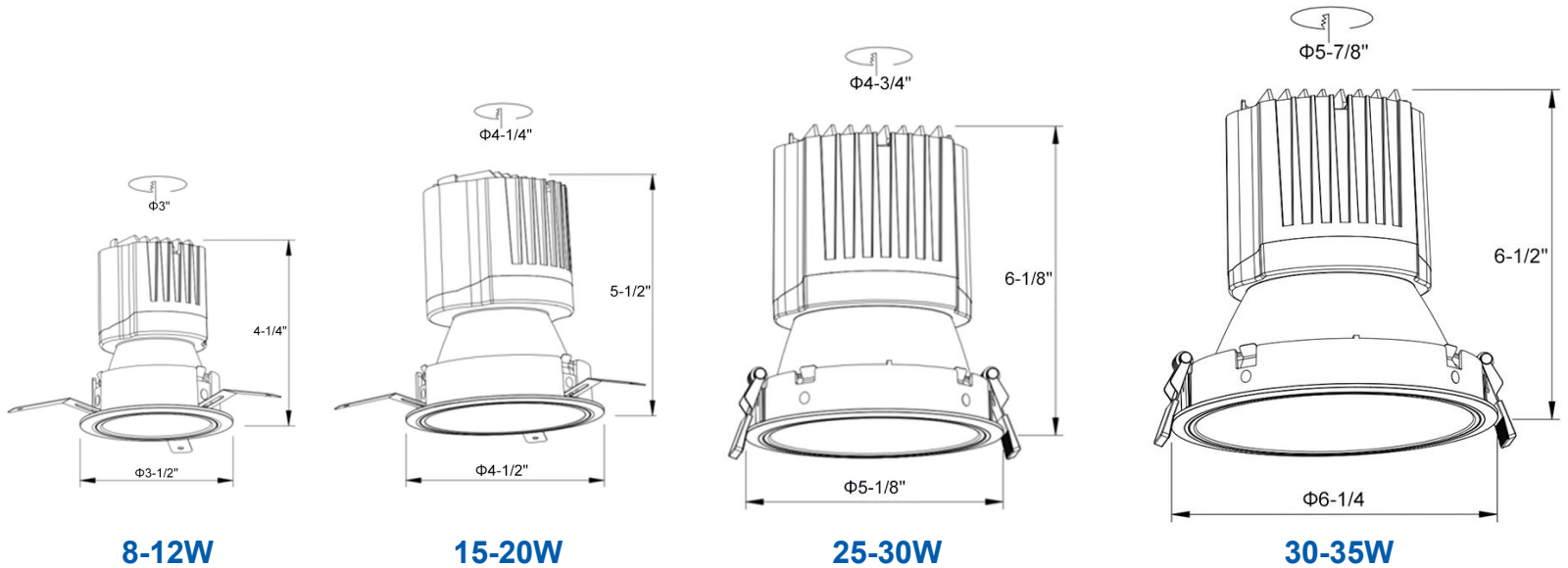


Item 2: Deep series



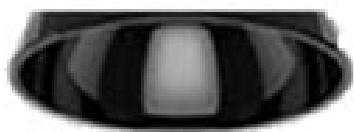
Deep Series LED downlight, “Dark light” technology, Lens structure.
Total Power: 8-12W/15-20W/25-30W/30-35W (different sizes), input: 100-277V AC
On-off/triac/0-10V/Dali dimming available
Beam angle 15D/24D/38D, Ra>90, UGR<10
Round shape available, No swiveling type
5 years warranty, ETL certification
Application: guest room, corridor, restaurant, meeting room, club, hall, hotel entrance.

Item 2: Deep series---Size



Item 2: Deep series---accessory options

Reflector color options(Same price)

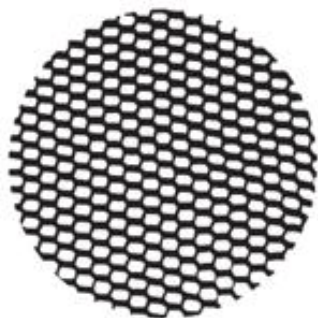


Black(darklight technology)
3" 4" 5" 6"



Silver
3" 4" 5"

Optics accessory Option(Need extra **USD1.00/unit**)



Honeycomb



Soft-light plate

Item 2: Deep series-application reference



Item 3: Frameless Series



Less frameless



Less frameless square



Deep frameless

“Dark light” technology, Lens structure.

Total Power:8-12W/15-20W(different sizes),input:100-277V AC

On-off/triac/0-10V/Dali dimming available

Beam angle 15D/24D/38D/60D,Ra>90,UGR<13

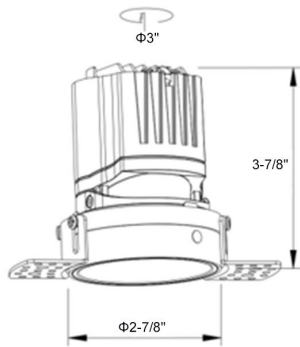
Less: Round & square shape available,swiveling type

Deep:Round shape only, no swiveling

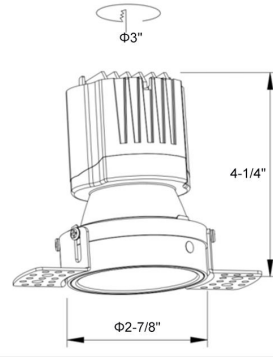
5 years warranty, ETL certification

Application:guest room,corridor, restaurant,meeting room,club,hall,hotel entrance

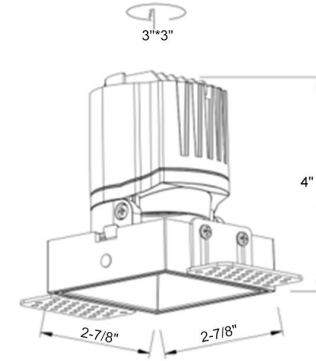
Item 3: Frameless series---Size



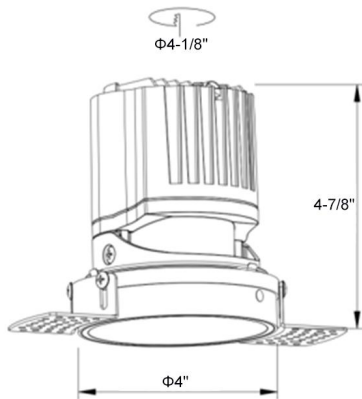
Less frameless 8-12W



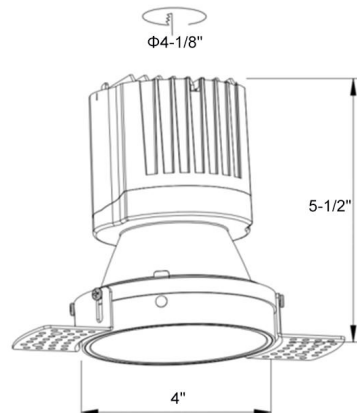
Deep frameless 8-12W



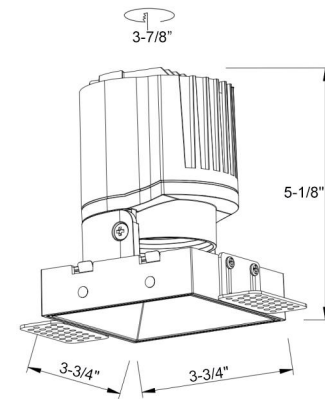
Less frameless square 8-12W



Less frameless 15-20W



Deep frameless 15-20W



Less frameless square 15-20W

Item 3: Frameless series---accessory options

Reflector color options(Same price)



White

(Only Less round frameless 3" 4",
Less square frameless 3" 4")



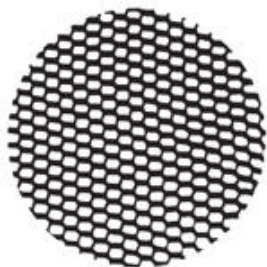
Black

(darklight technology)



Silver

Optics accessory Option(Need extra **USD1.00/unit**)



Honeycomb



Soft-light plate

Item 3: Frameless series-application reference



Item 4: Warm Series



Warm series LED downlight, **“Dark light”** technology, **Reflective cup structure.**

Power: 8W/15W/20W/30W/40W/50W/55W (different sizes), input: 100-277V AC

On-off/triac/0-10V/Dali dimming available

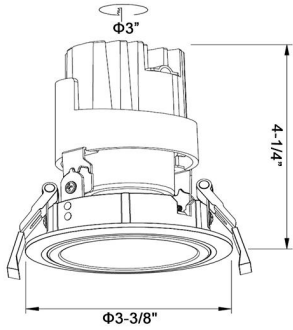
Beam angle 15D/24D/38D, **Ra>90, UGR<13**, Round shape, **Swiveling type**

Housing color: White, Reflector color: Black/White/Silver/Golden

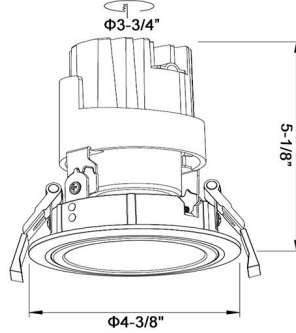
5 years warranty, ETL certification

Application: guest room, corridor, restaurant, meeting room, hall, hotel entrance

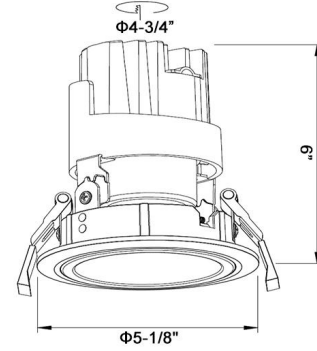
Item 4: Warm series--Size



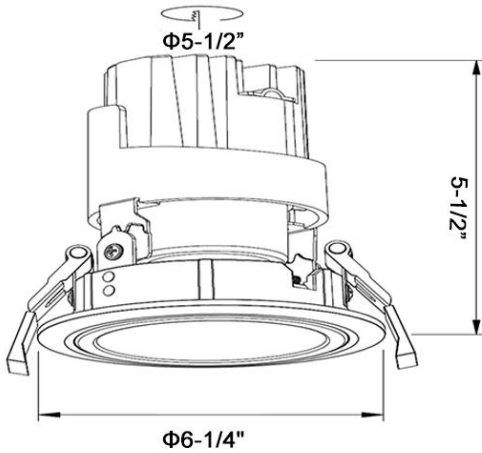
8W&15W



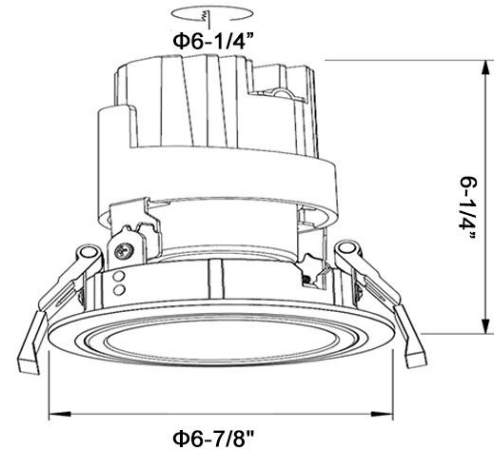
20W&30W



40W



50W



55W

Item 4: Warm series-application reference



Item 5: Magic series



Magic series LED downlight, “Dark light” technology, Reflective cup structure.

Power: 8W/15W (different sizes), input: 100-277V AC

On-off/triac/0-10V/Dali dimming available

Beam angle 15D/24D/38D, Ra > 90, UGR < 16

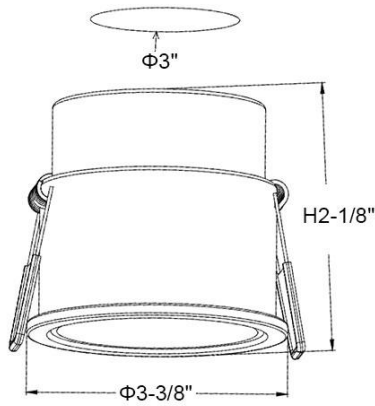
Round and Square shape, No Swiveling type

Housing color: White/Black, Reflector color: White/Black

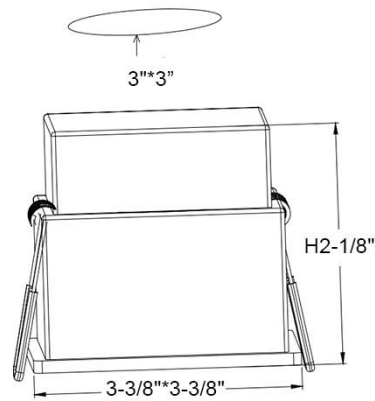
5 years warranty, ETL certification

Application: guest room, corridor, restaurant, meeting room, club

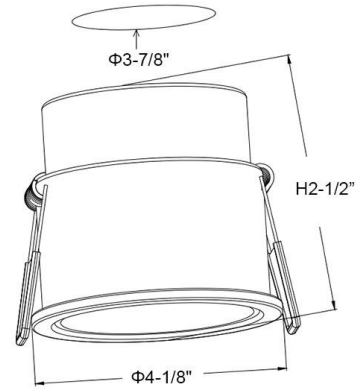
Item 5: Magic series--Round & Square Size



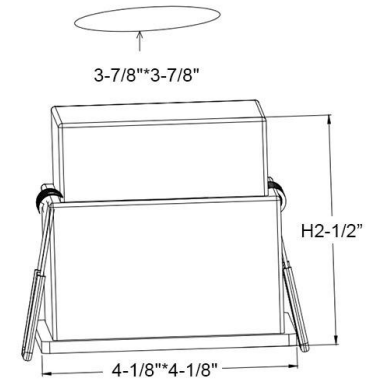
8W



8W



15W



15W

Item 5: Magic series-application reference



Item 6: Uranus series---SMD & COB Type



Uranus COB

Uranus SMD

Uranus series LED downlight, **COB type (lens structure) and SMD type.**

Power: 8W/15W/20W/30W/40W/50W (different sizes), input: 100-277V AC

On-off/triac/0-10V/Dali dimming available

Beam angle 15D/24D/36D/60D, **Ra > 90, UGR < 19**

SMD & COB shape available, **No swiveling type**

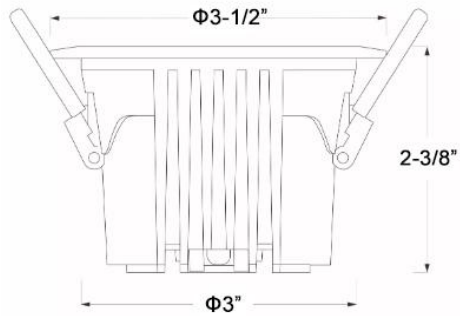
Housing color: White, Reflector color: **Black/White/Silver/Golden**

Uranus SMD can improve lumen efficiency to 120-130lm/w by adding extra cost.

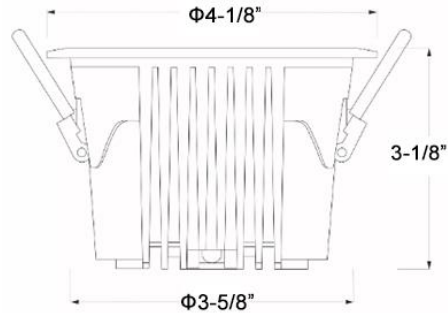
5 years warranty, ETL certification

Application: **Classroom, meeting room, office, club, home.**

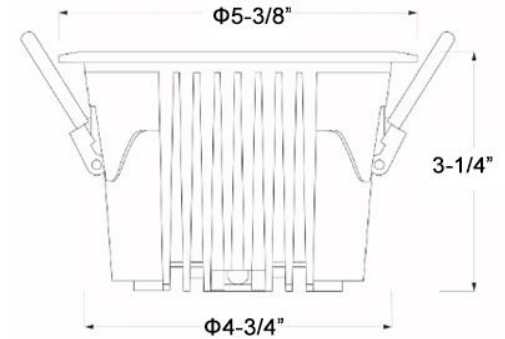
Item 6: Uranus series--Size(SMD&COB type same size)



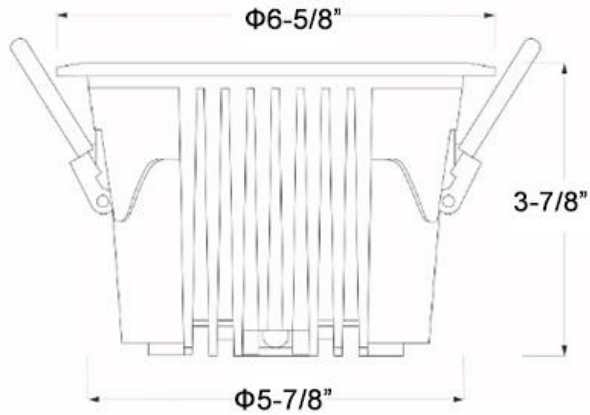
8W



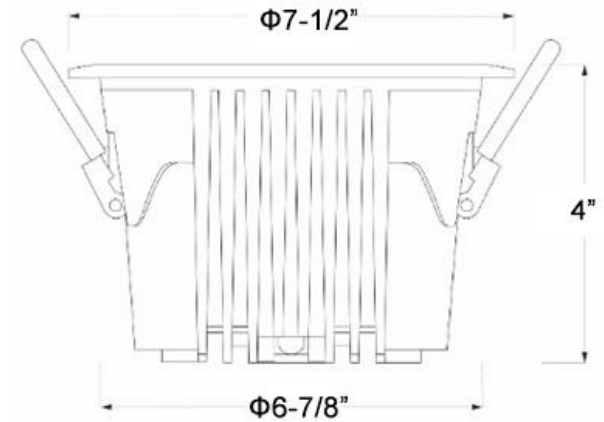
15W



20W



30W&40W



50W

Item 6: Uranus series-application reference



Item 7: Star series



Star Series LED downlight, Lens structure.

Total Power: 12W/20W/30W/55W, input: 100-277V AC

On-off/triac/0-10V/Dali dimming available

Beam angle 15D/24D/36D, Ra>90, UGR<19

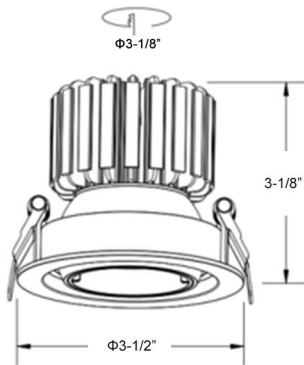
Round/Square/Twins type available, Swiveling type, 360° rotatable

White housing, Black/White inner ring

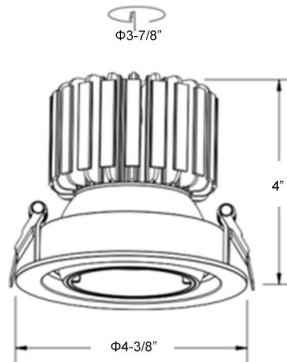
5 years warranty, ETL certification

Application: guest room, corridor, restaurant, meeting room, club, hall, hotel entrance

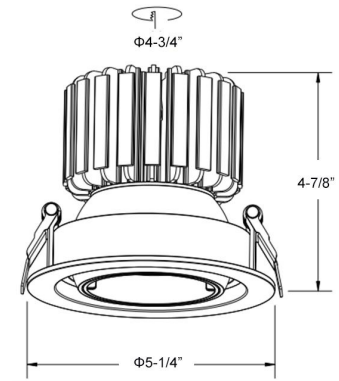
Item 7: Star series---Round & Square Size



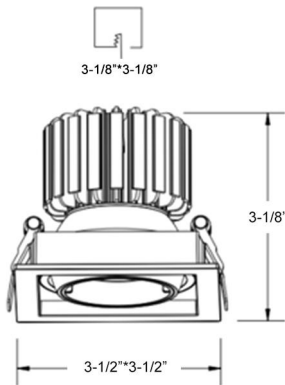
12W



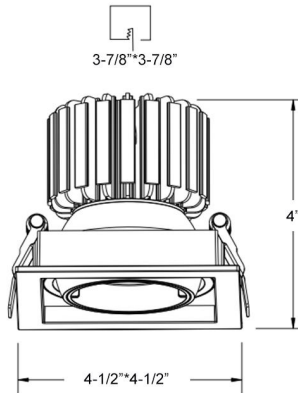
20W



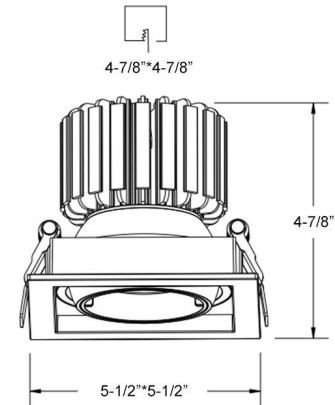
30W



12W

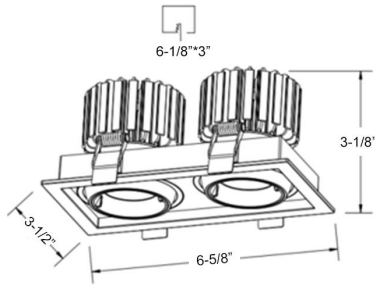


20W

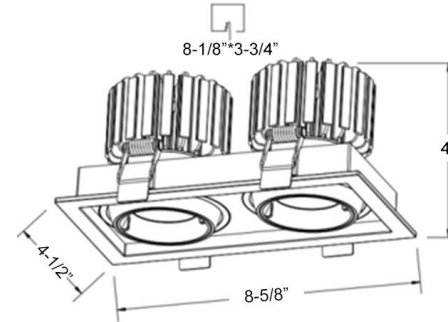


30W

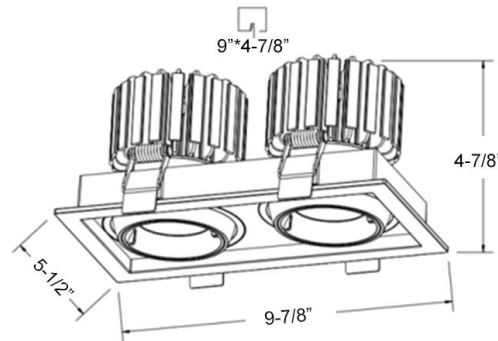
Item 7: Star series---Twins Size



Star Twins 20W



Star Twins 30W



Star Twins 55W

Item 7: Star series-application reference



Item 8: Venus IP54 series

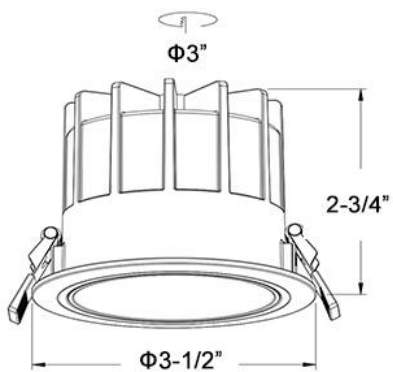


Venus IP54 series LED downlight, Reflective cup structure.
Power: 12W/15W/20W/30W/40W/50W/55W, input: 100-277V AC
On-off/triac/0-10V/Dali dimming available
Beam angle 15D/30D/45D, Ra>90, UGR<16, No swiveling type
Housing color: White, Reflector color: Black/White/Silver
5 years warranty, ETL certification
Application: guest room, corridor, restaurant, meeting room, club

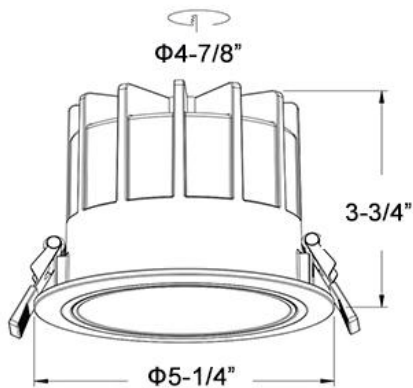
Item 8: Venus IP54 series--Detail pictures



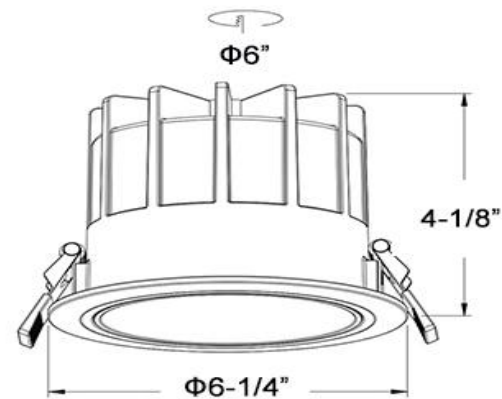
Item 8: Venus IP54 series---Size



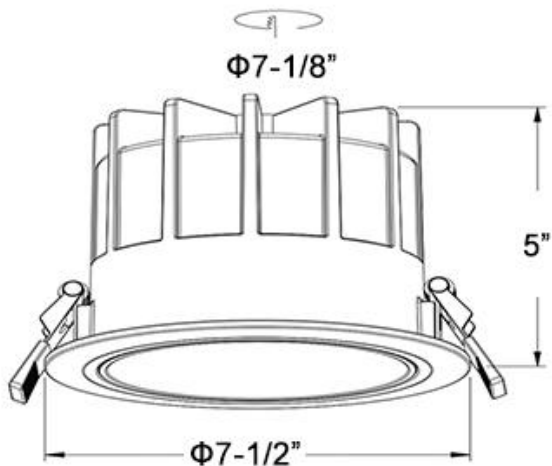
12W



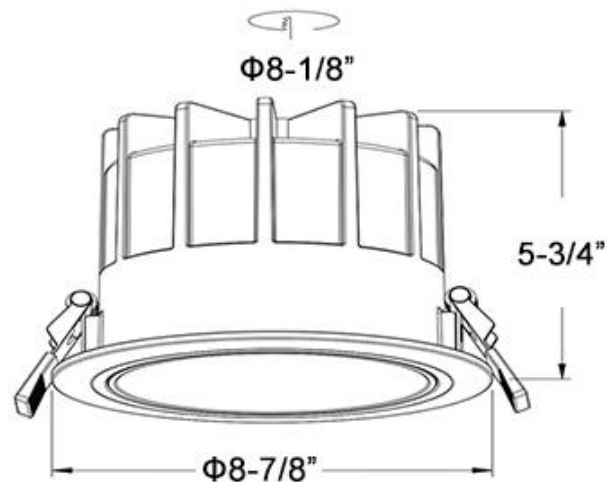
15W&20W



30W



40W



50W&55W

Item 8: Venus IP54 series-application reference



Item 9: Saturn IP65 series



Saturn IP65 series LED downlight, Reflective cup structure.

Total Power: 12W/15W/20W/30W/40W

On-off/triac/0-10V/Dali dimming available

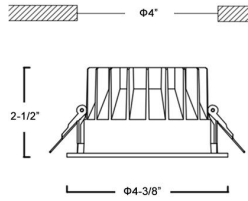
Beam angle 60D, Ra>90, UGR<19, No swiveling type

Round&Square available.

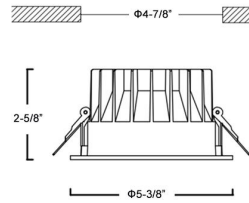
5 years warranty, ETL certification

Application: Outdoor corridor, bathroom, eave

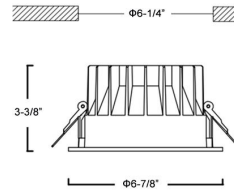
Item 9: Saturn IP65 series---Size pictures



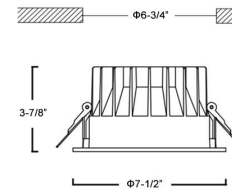
12W



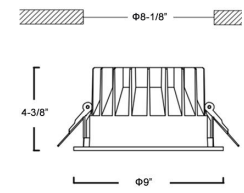
15W



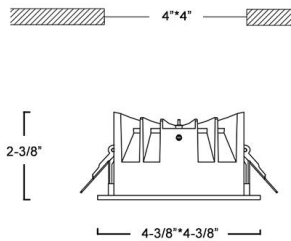
20W



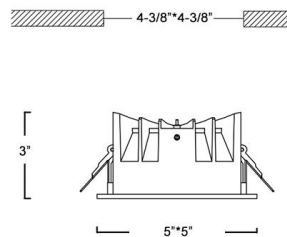
30W



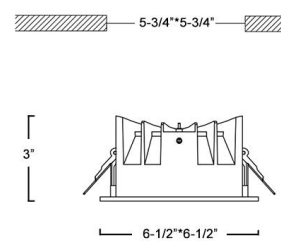
40W



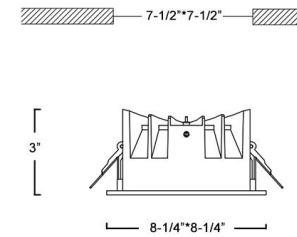
12W&15W



20W



30W



40W

Item 9: Saturn IP65 series---application reference



Item 10: Vortex series



Vortex Series LED downlight,

Total Power:12W/20W/30W/40W/50W (different sizes),input:100-277V AC

On-off/triac/0-10V/Dali dimming available

Beam angle 50D,Ra>90,UGR<19

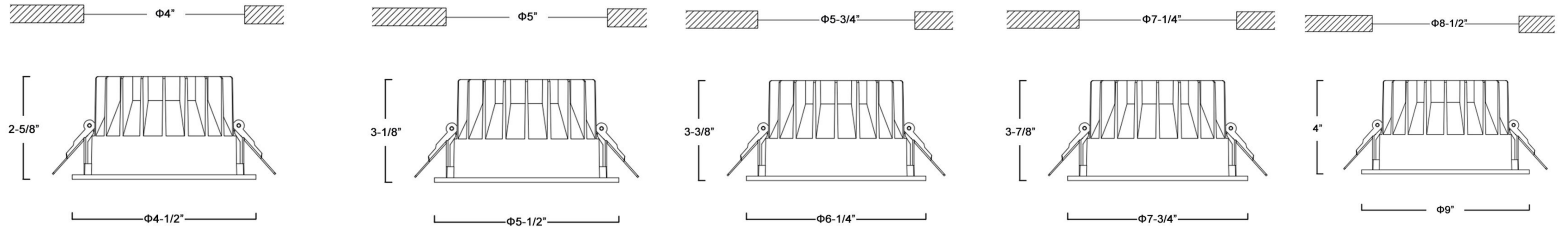
Housing color:White/Black, reflector color:“Dark light” technology reflector

Round & square shape available,No swiveling type

5 years warranty, ETL certification

Application:guest room,corridor, restaurant,meeting room,club,hall,hotel entrance

Item 10:Vortex series---Size



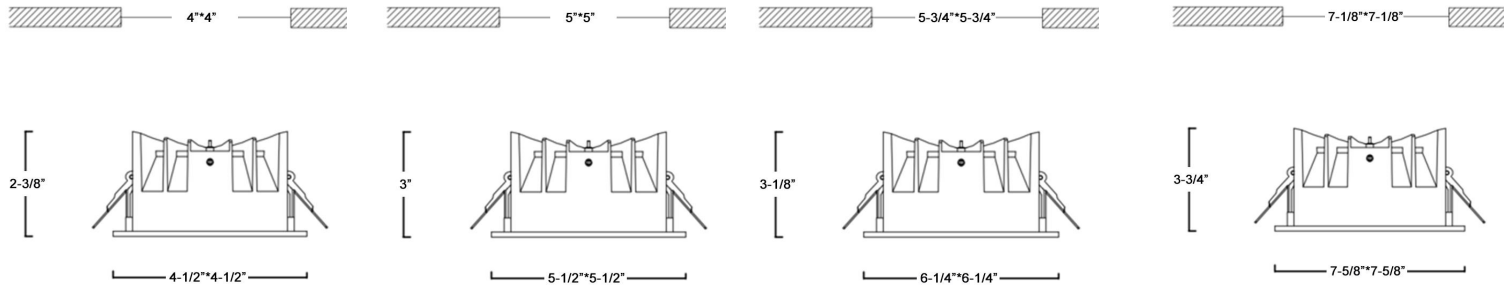
12W Round

20W Round

30W Round

40W Round

50W Round



12W Square

20W Square

30W Square

40W Square

Item 10: Vortex series-application reference



Item 11: Jupiter series



Jupiter Series LED downlight, Reflective cup structure.

Total Power: 12W/15W/20W/30W/40W/50W/55W, input: 100-277V AC

On-off/triac/0-10V/Dali dimming available

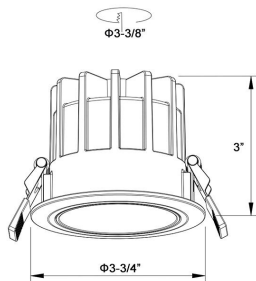
Beam angle 15D/30D/45D, Ra>90, UGR<19

Housing color: white, Reflector color: white/black

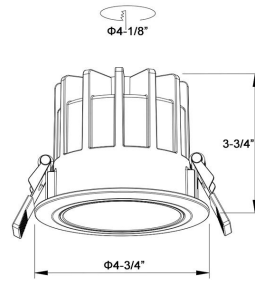
Round type, No Swiveling, 5 years warranty, ETL certification

Application: corridor, restaurant, meeting room, hall, hotel entrance, airport.

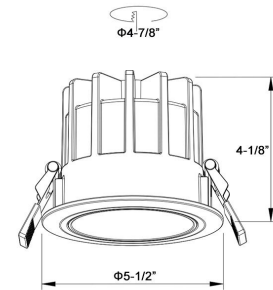
Item 11:Jupiter series---Size



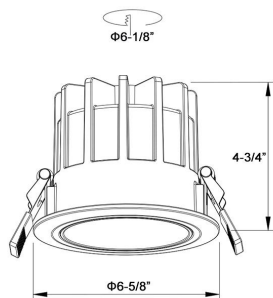
12W



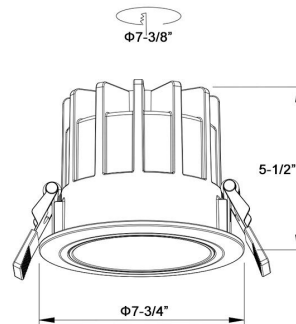
15W



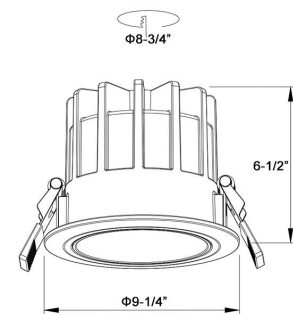
20W



30W



40W



50W&55W

Item 11: Jupiter series-application reference

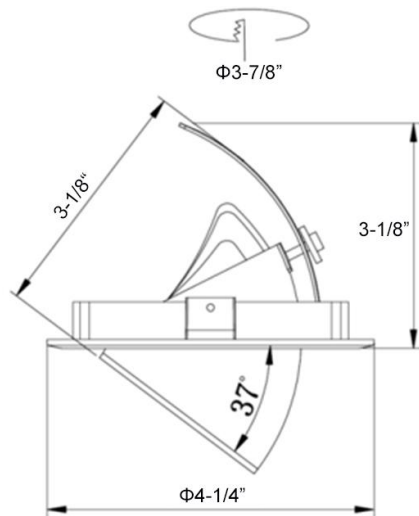


Item 12: XB series

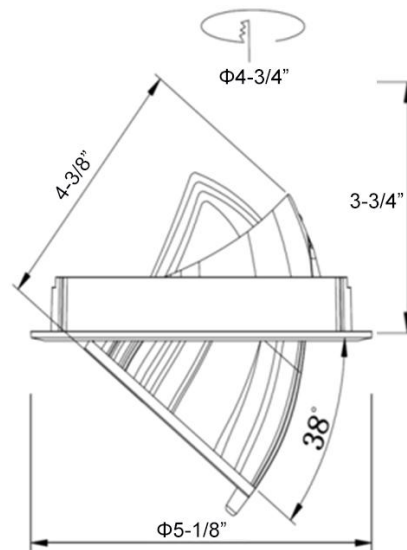


XB Series LED downlight
Lens structure.
Total Power:8W/15W/25W,input:100-277V AC
On-off/triac/0-10V/Dali dimming available
Beam angle 15D/24D/36D,Ra>90,UGR<19,Swiveling type
5 years warranty, ETL certification
Application:stores,corridor, restaurant,club

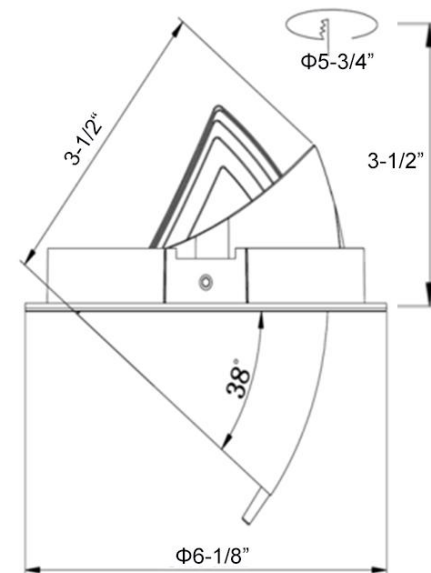
Item 12: XB series---Size



8W



15W

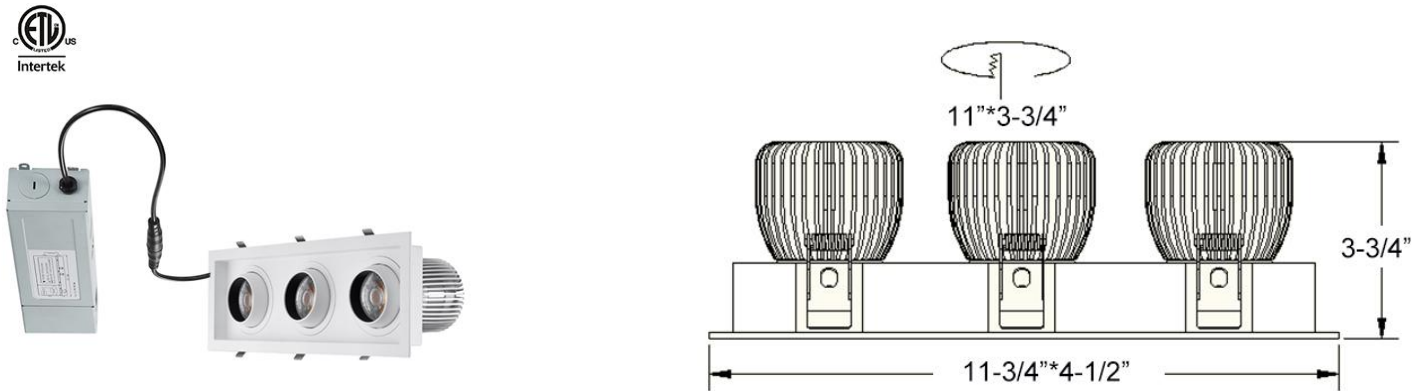


25W

Item 12: XB series---application reference



Item 13: Bike series



Bike Series LED downlight, Lens structure.

Total Power:30W

On-off/triac/0-10V/Dali dimming available

Beam angle 15D/24D/36D/60D, Ra>90, UGR<19, Swiveling type

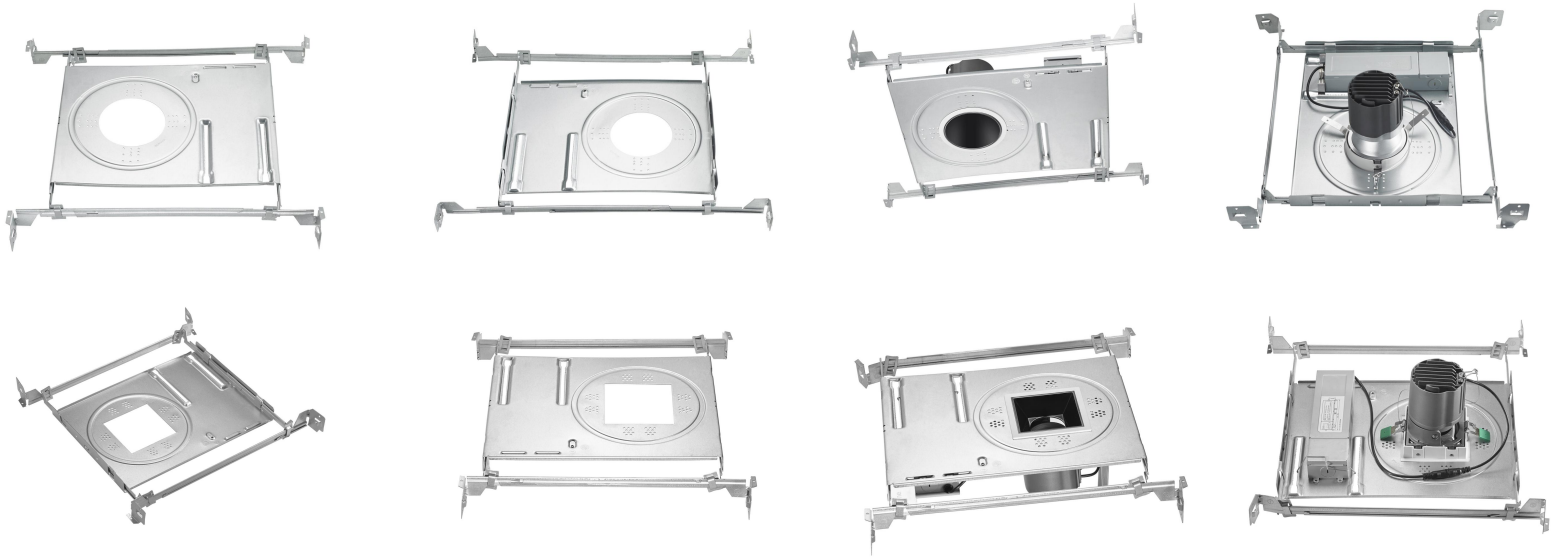
5 years warranty, ETL certification

Application:meeting room,hall,hotel entrance,stores

Item 13: Bike series---application reference



Item 14: Bracket/Hanger bars/Mounting plate



Brackets for LED downlights.

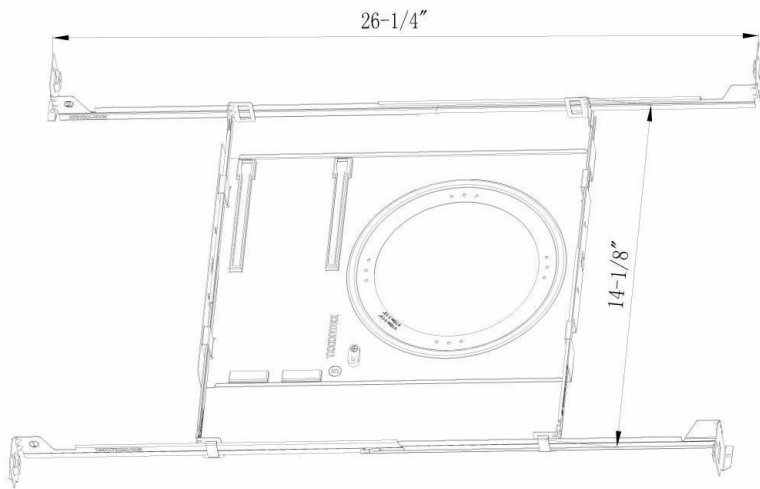
Materials:galvanized sheet, materials thickness: 0.8mm

Cut-out size(inch): Φ 3", Φ 4-1/4", 3"*3" (Square**), 4-1/4"*4-1/4" (**Square**)**

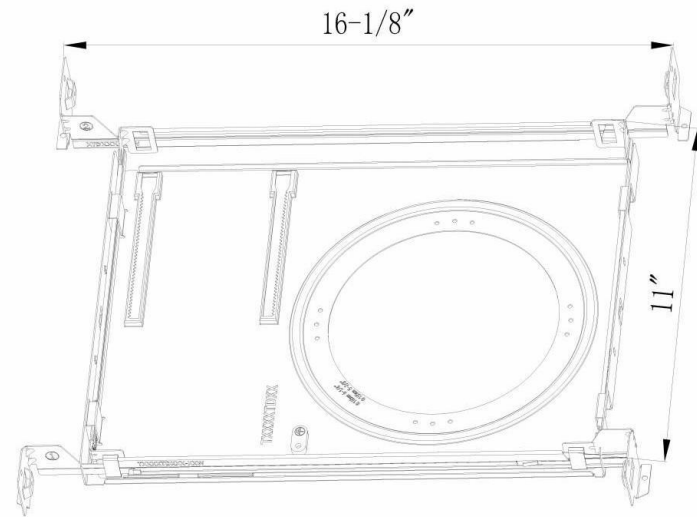
Housing color: silver

5 years warranty, ETL certification

Item 14: Bracket/Hanger bars/Mounting plate---Max.&Min. extended Size



Max



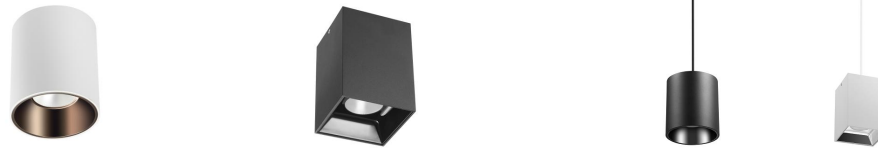
Min

2rd part:surface and pendant commercial LED downlight(Cylinder)

Master pendant series



Master B series



Master C series



Master D IP65 series

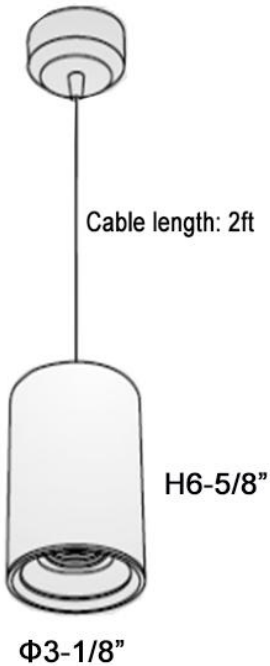


Item 15: Master pendant series



1. Master series, Pendant type, lens structure.
2. Beam angle: 11D/24D/36D;
3. Ceiling cup standard size: 4-3/4"
4. Cable standard length: 2ft
5. Color in Black or White.
6. Swiveling type
7. If need metal pole instead of standard cable, let us know when placing order, cost higher and need MOQ.

Item 15: Master pendant series



Master Pendant 20W

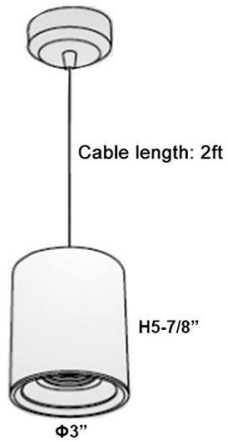


Item 16: Master B series

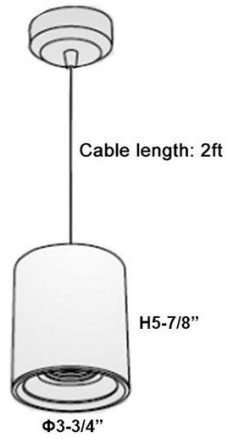


**Master B Series LED downlight 8W/15W/20W/25W/30W/40W/50W/55W,
Input:100-277V AC,On-off/triac/0-10V Dim,Reflective cup structure.
Beam angle 15D/30D/45D,Ra>90,UGR<19
Housing color:White/Black, reflector color:Black/White/Silver
Round & Square,No swiveling type,Surface & Pendant installation.
Ceiling cup standard size: 4-3/4";Cable standard length: 2ft
Application:guest room,corridor, restaurant,meeting room,club,hall,hotel entrance**

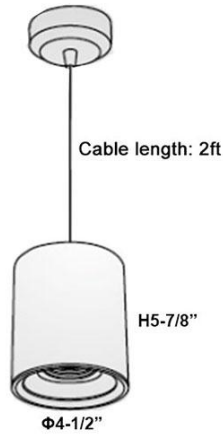
Item 16: Master B series---Size--Round



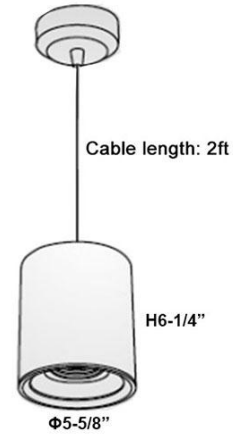
8W-12W



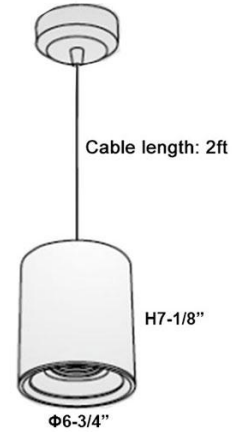
15W



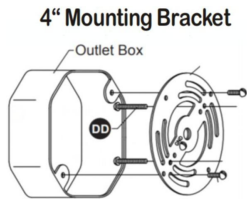
20W-25W



30W-40W



50W-55W



Tips: considering the junction box(wires box) size of North America market, for the surface mounted type, we just recommending the bigger sizes ones. But smaller size can be made if customer insist on.



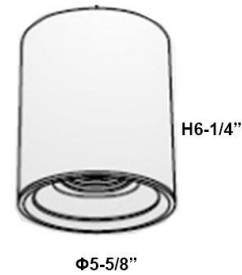
By adding this can be work



12W-15W



20W-25W

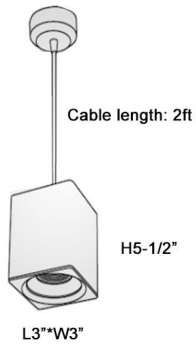


30W-40W

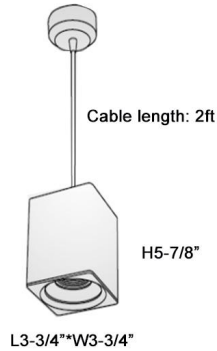


50W-55W

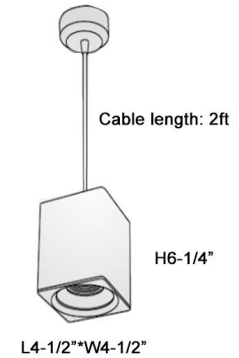
Item 16: Master B series---Size--Square



Pendant 8W&15W

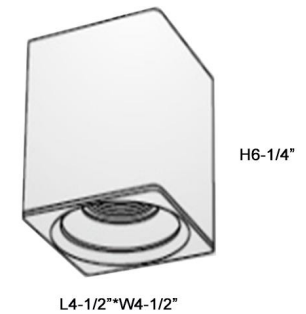


Pendant 20W



Pendant 30W

Tips: considering the junction box(wires box) size of North America market, for the surface mounted type, we just recommending the bigger sizes ones. But smaller size can be made if customer insist on.



Surface 20W&30W

Item 17: Master C series



Master C Series LED downlight, Reflective cup structure.

Power: 8W/15W/20W/30W/40W, input: 100-277V AC

On-off/triac/0-10V dimming available, Beam angle 50D, Ra>90, UGR<19

Housing color: White/Black, reflector color: darklight technology reflector.

Round & square shape available, No swiveling type

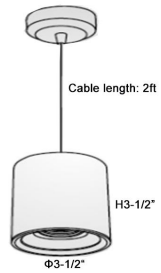
Surface mounted & Pendant installation way available. 5 years warranty

Ceiling cup standard size: 4-3/4";

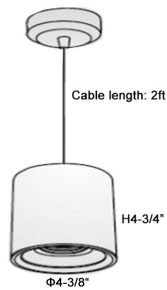
Cable standard length: 2ft

Application: guest room, corridor, restaurant, meeting room, club, hall, hotel entrance

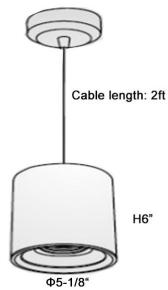
Item 17: Master C series---Size--Round



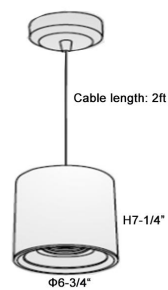
Pendant 8W



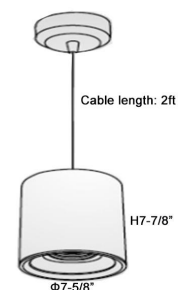
Pendant 15W



Pendant 20W



Pendant 30W



Pendant 40W

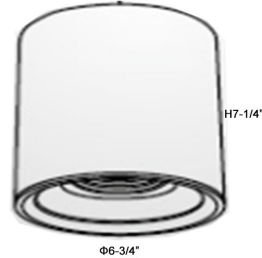
Tips: considering the junction box(wires box)size of North America market, for the surface mounted type, we just recommending the bigger sizes ones. But smaller size can be made if customer insist on.



Surface 15W



Surface 20W

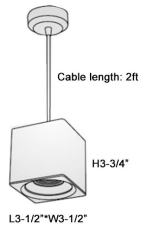


Surface 30W

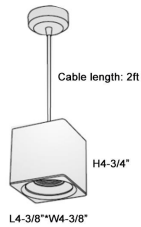


Surface 40W

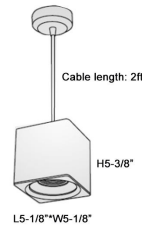
Item 17: Master C series---Size--Square



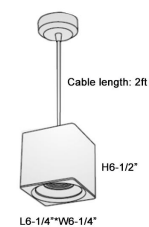
Pendant 8W



Pendant 15W&20W

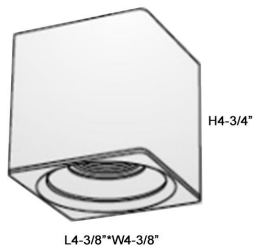


Pendant 30W

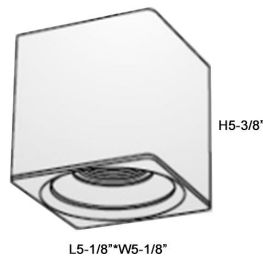


Pendant 40W

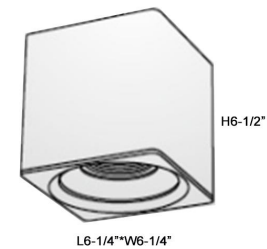
Tips: considering the junction box(wires box)size of North America market, for the surface mounted type, we just recommending the bigger sizes ones. But smaller size can be made if customer insist on.



Surface 15W&20W



Surface 30W



Surface 40W

Master/Master B/Master C series---Application reference



Item 18: Master D IP65 series



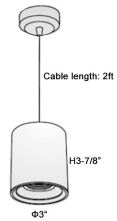
Master D IP65 Series LED downlight,
Power:8W/15W/20W/30W/40W/50W/55W,input:100-277V AC
On-off/triac/0-10V/Dali dimming available
Beam angle 20D/40D,Ra>90,UGR<12
Housing color:White/Black, reflector color:darklight
technology(Black) ,White,Silver.Round shape,No swiveling type
Surface mounted & Pendant installation way available.
Ceiling cup standard size: 4-3/4”;
Cable standard length: 2ft



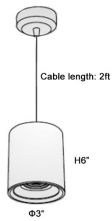
Item 18: Master D IP65 series-HD pictures



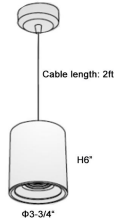
Item 18: Master D IP65 series---Size



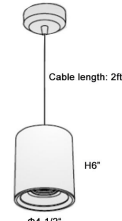
Pendant 8W



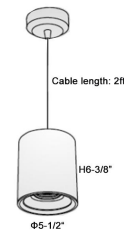
Pendant 15W



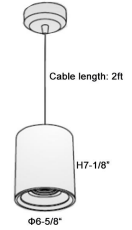
Pendant 20W



Pendant 30W

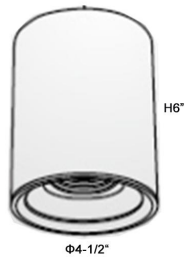


Pendant 40W&50W



Pendant 55W

Tips: considering the junction box(wires box) size of North America market, for the surface mounted type, we just recommending the bigger sizes ones. But smaller size can be made if customer insist on.



Surface 30W



Surface 40W&50W



Surface 55W

Item 18: Master D IP65 series---Application reference

