

# GL LED Post Top Lantern (Heat Sinker Ones)



(Without cover )



(With PC Cover)



(With Glass cover)



(With Photocell sensor)

## 1. Features

- Power Factor:  $\geq 0.95$
- LED: SMD 3030
- CRI:  $R_a \geq 75$
- Dimming :  
YES/No
- Cover: PC/Glass Cover/No Cover

Photocell sensor: Y/N

Material: Aluminum alloy + PC cover/Glass cover/No Cover

- Standard color: dark bronze/Black
- Working Temperature:  $-40^{\circ}\text{F} \sim 122^{\circ}\text{F}$
- Lifespan:  $> 54000$  hours (@ $T_c = 176^{\circ}\text{F}$ )
- Total Harmonic Distortion: 15%

## 2. Application

City Urban, plaza , shopping mall , roadway ,garden ,House and general lighting applications.

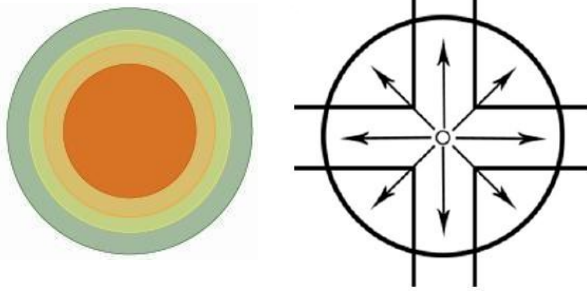
## 3. Ordering Information

Model	Wattage	Cover	Sensor	Kelvin	Light Distribution	OD Tenon	Finish
GL-TP350	30W	No Cover	No Sensor	3000K	Type III	2 3/8' ' Tenon	Black
	50W	Glass Cover	Photocell Sensor	4000K	Type V	3" Tenon	Bronze
	60W	PC Cover	Movement Sensor	5000K			White
	80W			5700K			
	100W			3CCT			
	120W			Adjustable			

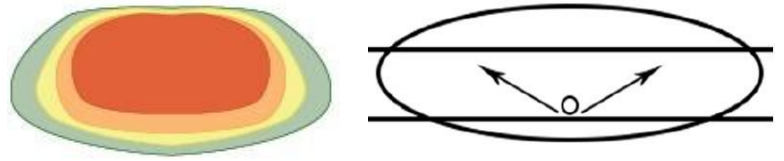
Example: GL-TP350-W50-PM-C1-Z1 (5000K)

#### 4 Beam Angle

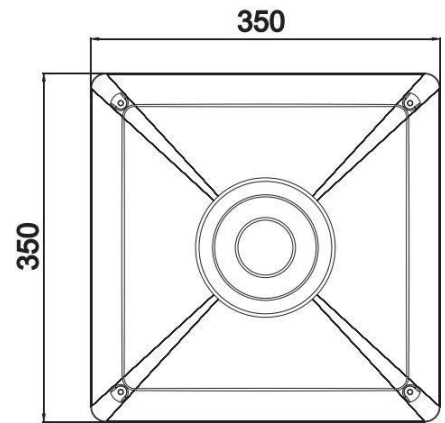
Type V for Garden Lighting Using



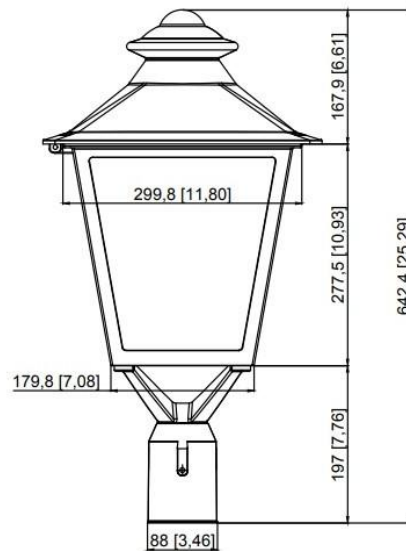
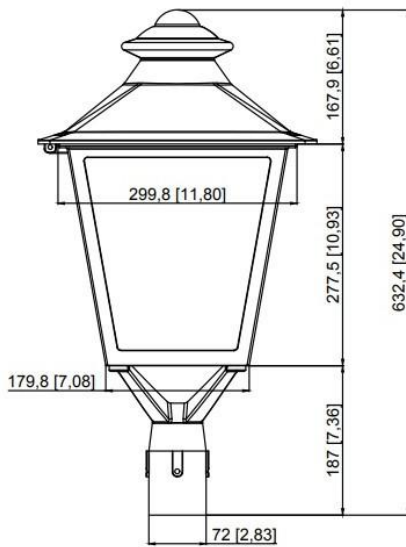
Type III For Roadway Lighting Using



#### 5.Dimension



(Suitable for 2 3/8" ' /3" ' diameter straight poles)---While using adapters could installed in other size of 4" ' /5" ' /6" ' diameter ones



## 5. Bottom Shield

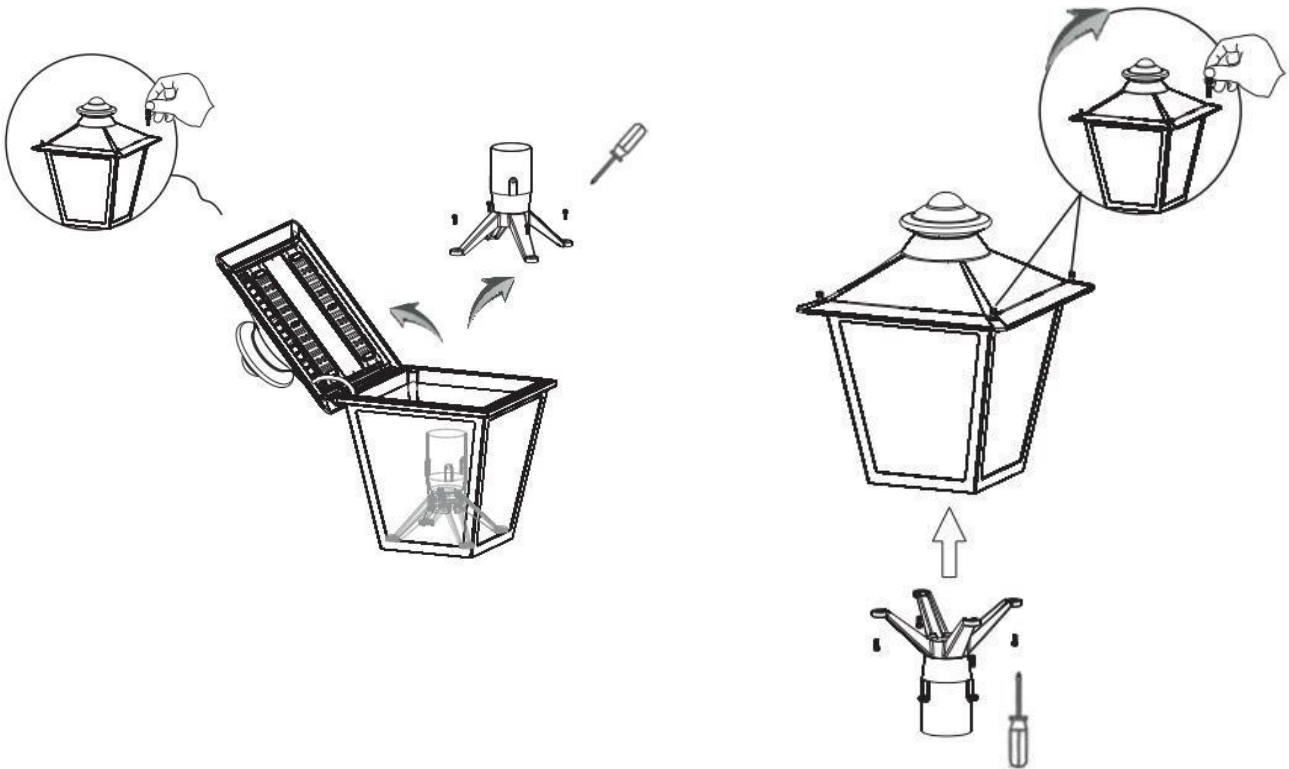
(1) Iron Plate to Shield the Light (Suggested for low installation)



(2) Transparent not to Shield the Light (Suggested for high installation)

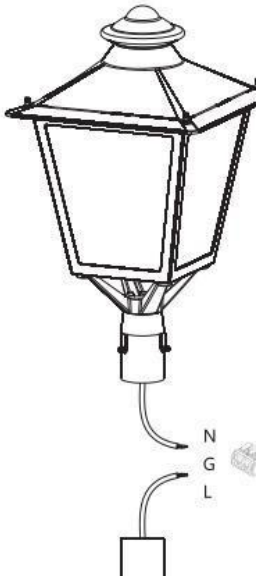


## 6. Installation Instruction

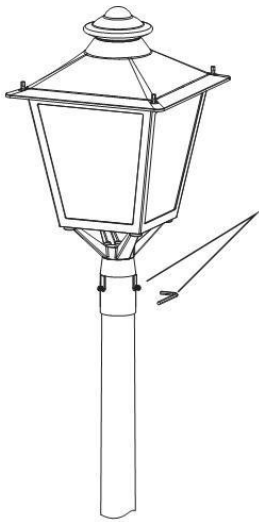


Step 1. Use your hand or tools to loosen the 2 screws on the top of the fixture, open the top cover of the fixture, and then take out the mount bracket inside the fixture

Step 2. Close the top cover of the fixture, and fix the top cover onto the fixture using screws. And then after use screw driver to fix the mount bracket to the fixture.



Step 3. Wire the cable with the cable in the pole.



Step 4. Use screws to fix the fixture onto the pole.

