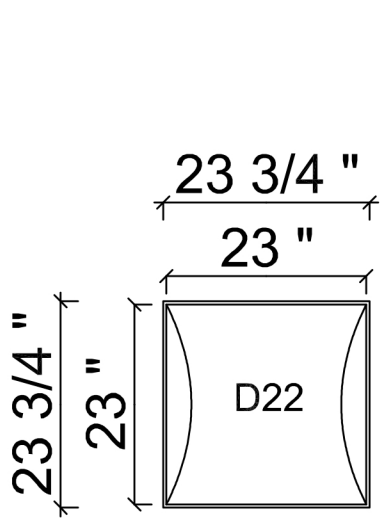
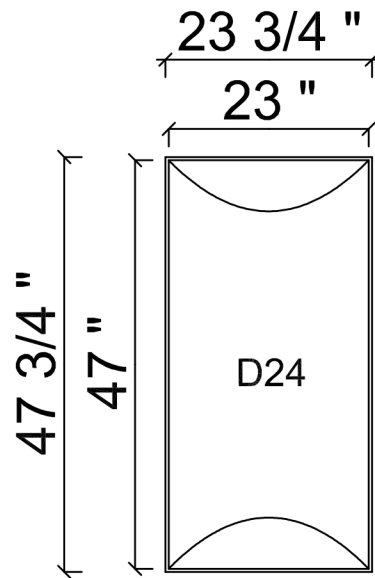


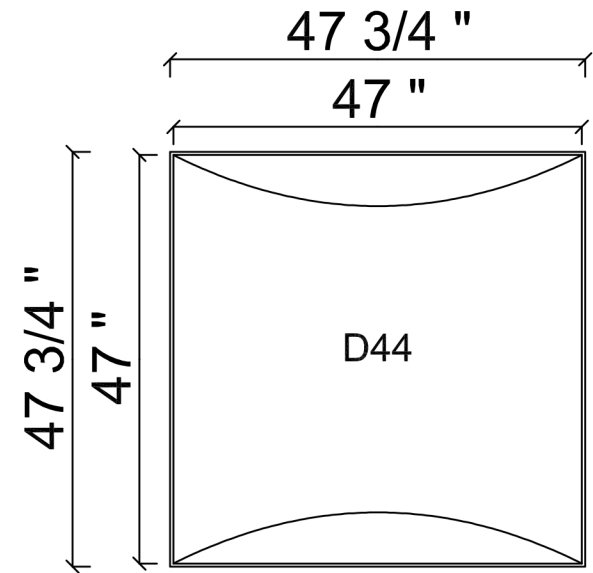
BARREL CEILING DIFFUSERS



23-3/4" L x 23-3/4" W x 7" H



23-3/4" L x 47-3/4" W x 7" H

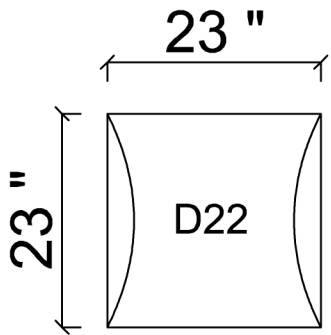


47-3/4" L x 47-3/4" W x 7" H
(FABRIC MUST BE AT LEAST 59" WIDE)

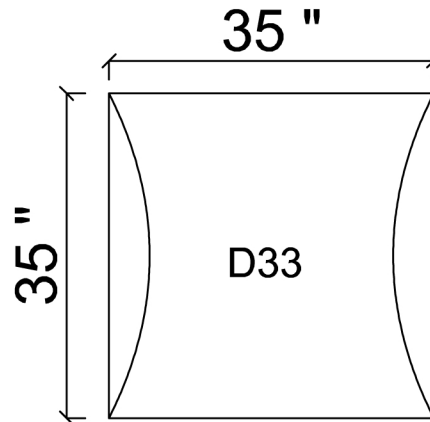
ANY ESSI DIFFUSER CAN
BE USED FOR CEILING MOUNT

(AVAILABLE IN GEL COAT) - (WHITE OR CUSTOM)
OR FABRIC WRAPPED

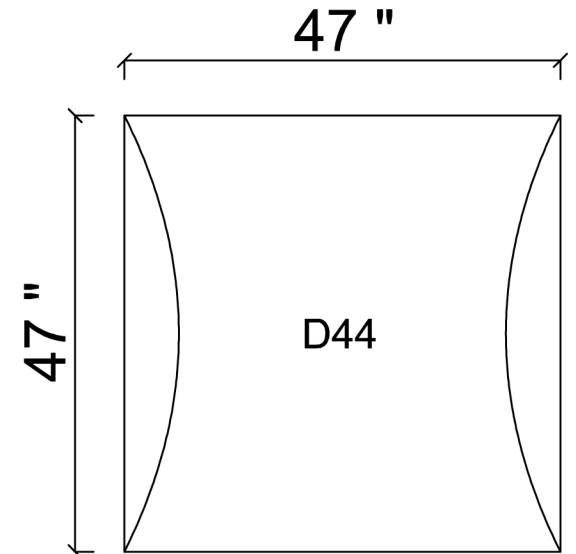
BARREL WALL DIFFUSERS



23" L x 23" W x 7" H



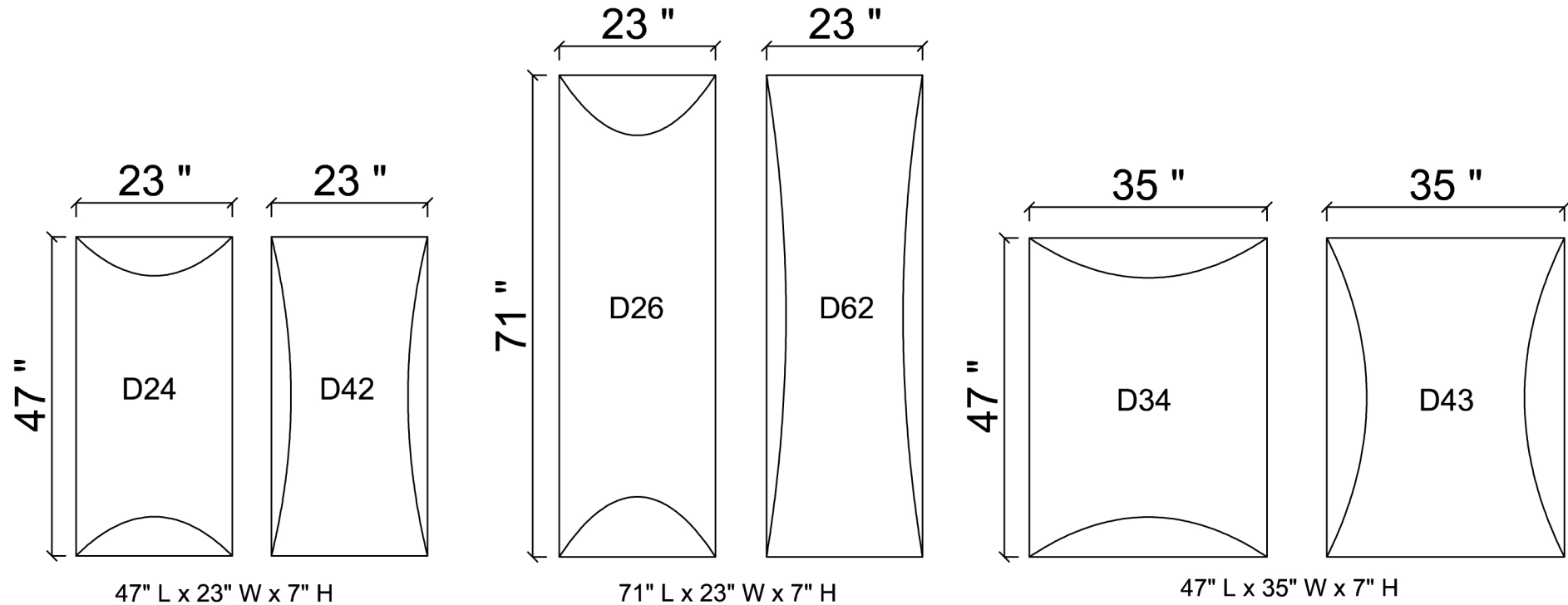
35" L x 35" W x 7" H



47" L x 47" W x 7" H
(FABRIC MUST BE AT LEAST 59" WIDE)

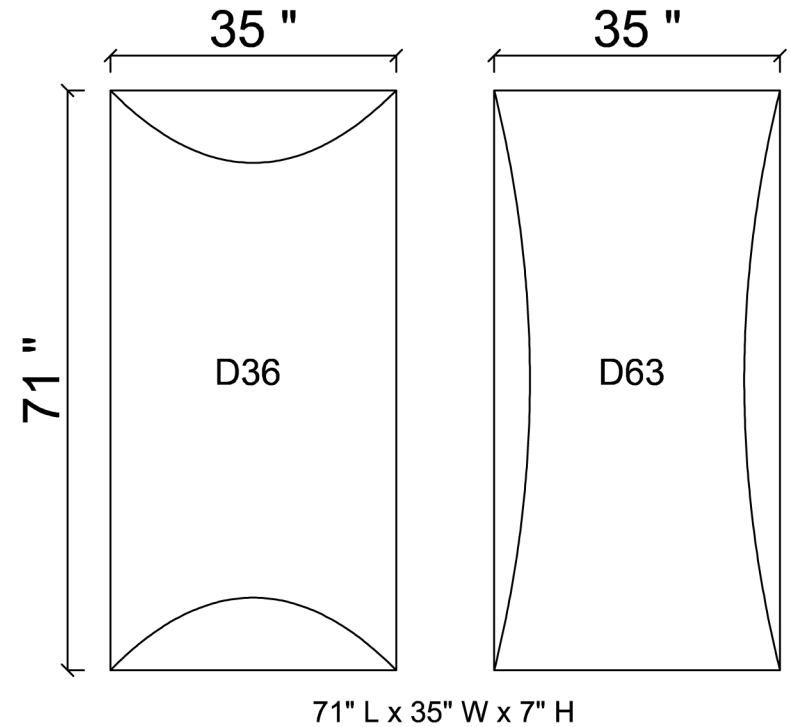
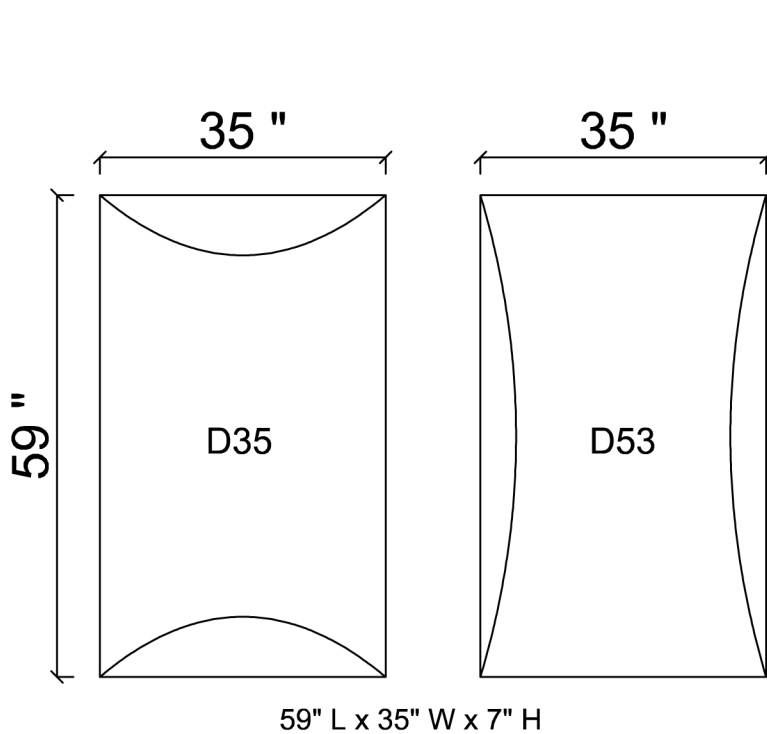
(AVAILABLE IN GEL COAT) - (WHITE OR CUSTOM)
OR FABRIC WRAPPED

BARREL WALL DIFFUSERS



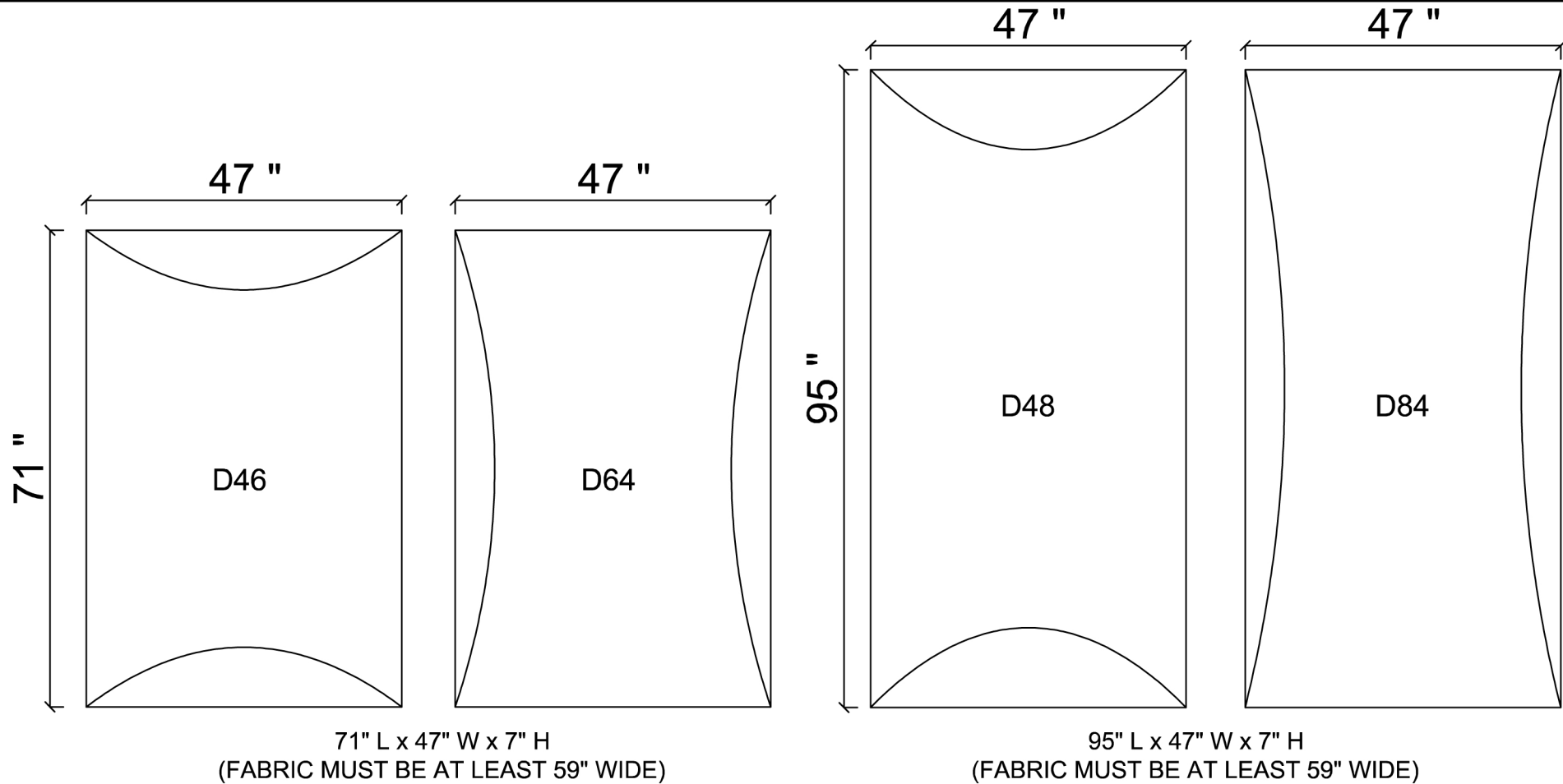
(AVAILABLE IN GEL COAT) - (WHITE OR CUSTOM)
OR FABRIC WRAPPED

BARREL WALL DIFFUSERS



(AVAILABLE IN GEL COAT) - (WHITE OR CUSTOM)
OR FABRIC WRAPPED

BARREL WALL DIFFUSERS



(AVAILABLE IN GEL COAT) - (WHITE OR CUSTOM)
OR FABRIC WRAPPED