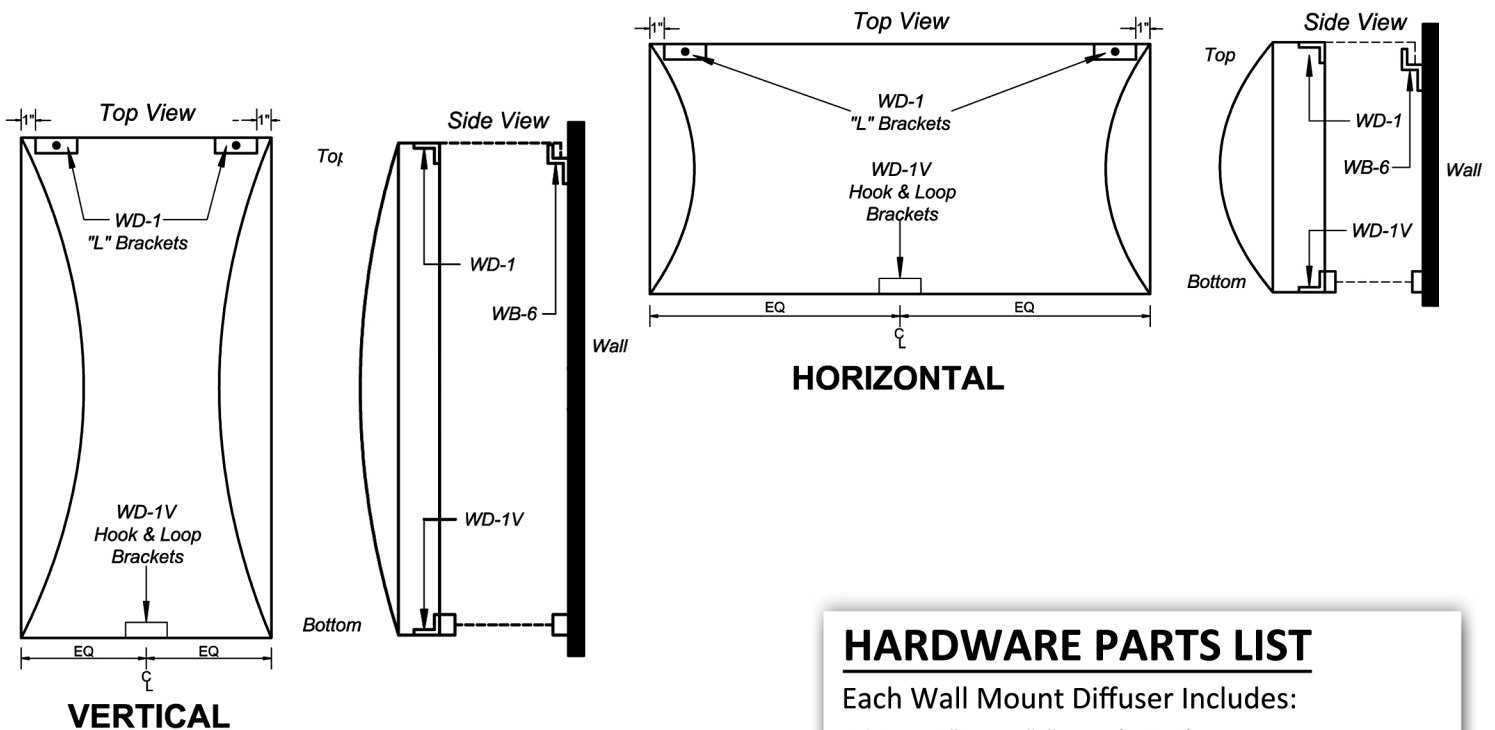


DIFFUSER PANEL INSTALLATION GUIDE

WALL MOUNTED DIFFUSERS - SMALL

MODEL NUMBERS INCLUDE: D22, D24, D42, D33, D34, D43, D44

- Using the 6" long WD-1 "L" Clip as a template, drill 1/8" pop-rivet holes in the front lip of the diffuser. Holes should be drilled from the gel-coat side and located so the face of the clip is flush with the "lip" of the diffuser (see diagrams for locations).
- Drill 1/8" pop-rivet holes for Hook & Loop Bracket (WD-1V) in similar manner (see diagrams for location).
- Install WD-1 Clips at top of diffuser and Hook & Loop Brackets at bottom of diffuser with white headed pop-rivets. Insert pop-rivet from gel-coat side of diffuser.
- Mount "6" wall Z-Bar (WB-6) to wall using appropriate fasteners to secure wall bar to structure. Top of wall bar should be located 1/8" below desired height of diffuser. Be sure to allow a 1" minimum clearance above top of wall bar to access WD-1 clip onto wall bar.
- With WD-1 Bars and WD-1V Hook & Loop Brackets installed onto diffuser, peel off clear back of Hook & Loop to expose adhesive, insert WD-1 Bars into wall Z-Bars with WD-1 Bars fully engaged into wall Z-Bar. Press bottom of diffuser to wall to engage Hook & Loop adhesive. Level and adjust as necessary.



HARDWARE PARTS LIST

Each Wall Mount Diffuser Includes:

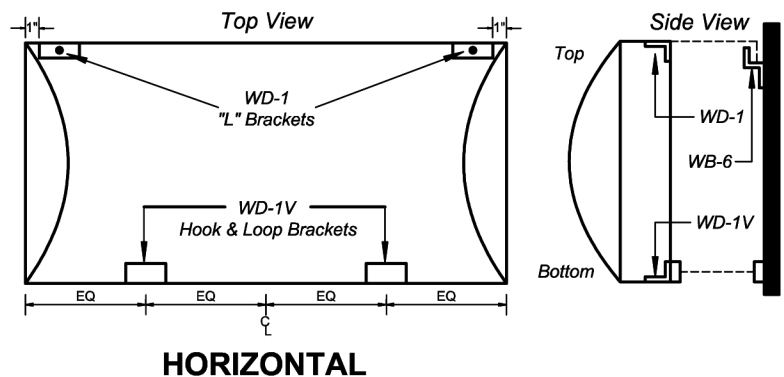
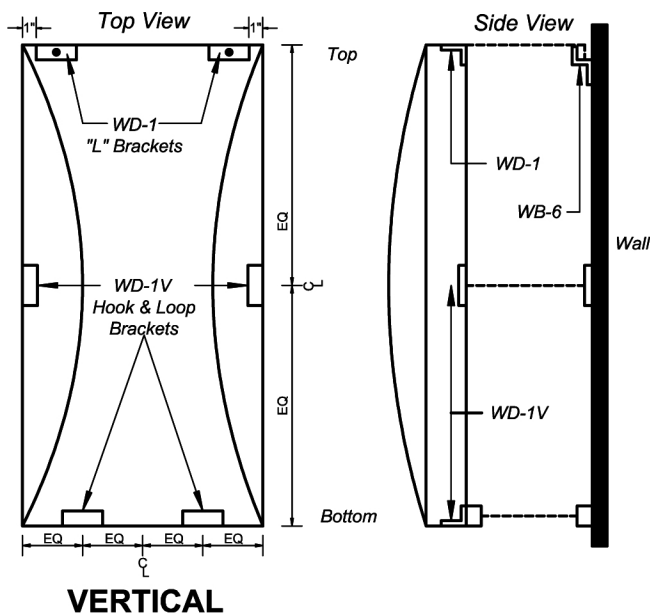
- Two 6" Long "L" Bars (WD-1)
- Two 6" Long "Z" Bars (WB-6)
- One 6" Long Hook & Loop Bracket (WD-1V)

DIFFUSER PANEL INSTALLATION GUIDE

WALL MOUNTED DIFFUSERS - LARGE

MODEL NUMBERS INCLUDE: D26, D62, D35, D53, D54, D45, D36, D63, D46, D64, D48, D84

- Using the 6" long WD-1 "L" Clip as a template, drill 1/8" pop-rivet holes in the front lip of the diffuser. Holes should be drilled from the gel-coat side and located so the face of the clip is flush with the "lip" of the diffuser (see diagrams for locations).
- Drill 1/8" pop-rivet holes for Hook & Loop Bracket (WD-1V) in similar manner (see diagrams for location).
- Install WD-1 Clips at top of diffuser and Hook & Loop Brackets at bottom of diffuser with white headed pop-rivets. Insert pop-rivet from gel-coat side of diffuser.
- Mount "6" wall Z-Bar (WB-6) to wall using appropriate fasteners to secure wall bar to structure. Top of wall bar should be located 1/8" below desired height of diffuser. Be sure to allow a 1" minimum clearance above top of wall bar to access WD-1 clip onto wall bar.
- With WD-1 Bars and WD-1V Hook & Loop Brackets installed onto diffuser, peel off clear back of Hook & Loop to expose adhesive, insert WD-1 Bars into wall Z-Bars with WD-1 Bars fully engaged into wall Z-Bar. Press bottom of diffuser to wall to engage Hook & Loop adhesive. Level and adjust as necessary.



HARDWARE PARTS LIST

Each **Horizontal** wall mount diffuser includes

- ✓ Three 6" long "L" Bars (WD-1)
- ✓ Three 6" long "Z" Bars (WB-6)
- ✓ Two 6" long Hook & Loop Bracket (WD-1V)

Each **Vertical** wall mount diffuser includes:

- ✓ Two 6" long "L" Bars (WD-1)
- ✓ Two 6" long "Z" Bars (WB-6)
- ✓ Four 6" long Hook & Loop Bracket (WD-1V)