



P.O. Box 1520  
 Crestwood, KY 40014  
**1-877-QUANICS**  
[www.quanics.net](http://www.quanics.net)

## Risers, Lids & Adapters

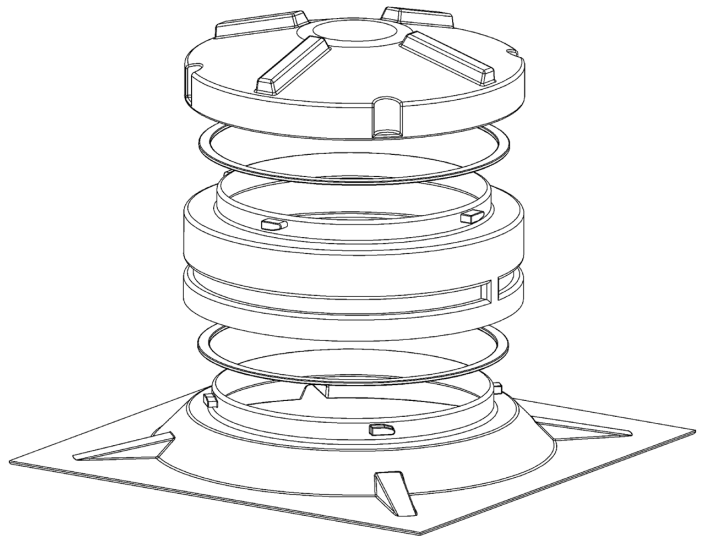
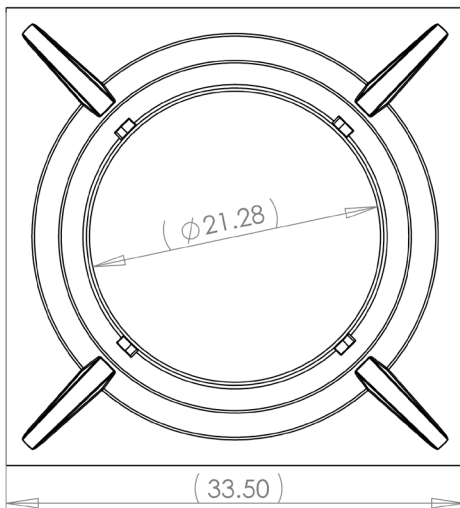
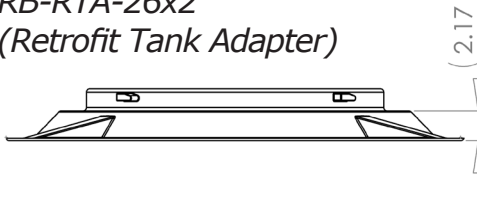
(26" Diameter)

### Features:

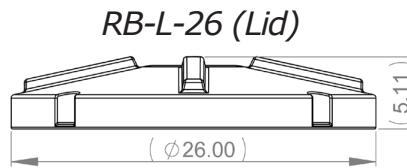
- Patented 26" polyethylene risers
- All components include twist lock tabs
- Tamper resistant fasteners and fastening tool included with each lid
- Tested to withstand up to 2500 lb wheel load
- May be cast-in or retrofit to any concrete tank

**RB-RTA-26x2**

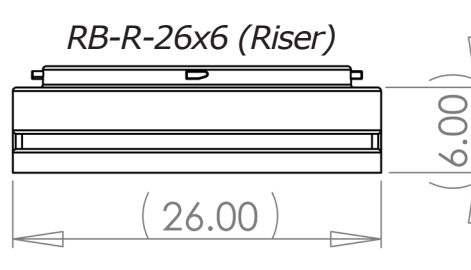
(Retrofit Tank Adapter)



**RB-L-26 (Lid)**



**RB-R-26x6 (Riser)**



**RB-R-26x12 (Riser)**



**RB-R-26x18 (Riser)**



### Materials:

Risers and Lids

- High density non-corrosive polyethylene plastic
- Stainless steel screws
- Neoprene gasket

### Warranty for Defects in Material and Workmanship

- Risers and Lids - 2 Years

### IMPORTANT:

- When adding risers together for deeper installations Quanics does not recommend exceeding a maximum depth of 48".
- Neoprene gaskets must be installed as per instructions
- To prevent unauthorized entry install all tamper resistant fasteners as per instructions

AutoCad R-14 dwg files at [www.quanics.net](http://www.quanics.net)





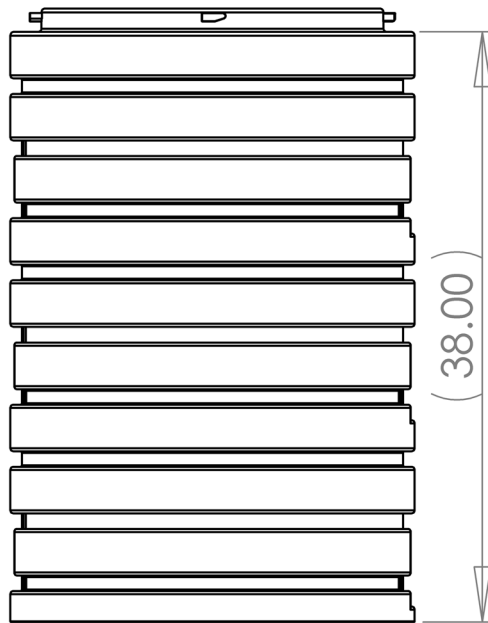
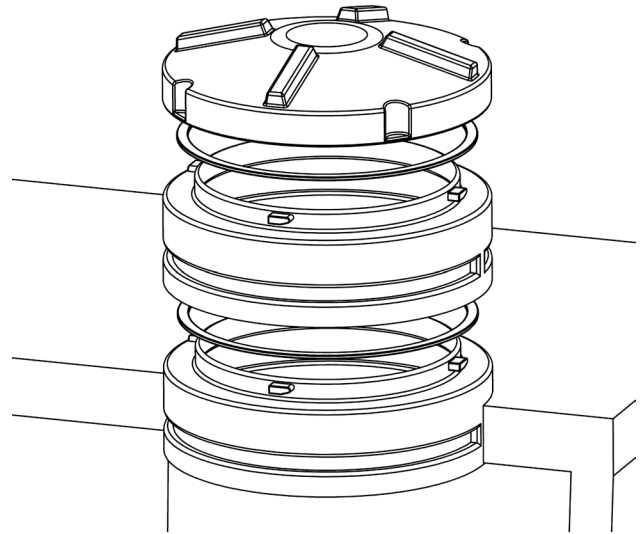
P.O. Box 1520  
Crestwood, KY 40014  
**1-877-QUANICS**  
[www.quanics.net](http://www.quanics.net)

## Risers, Lids & Adapters

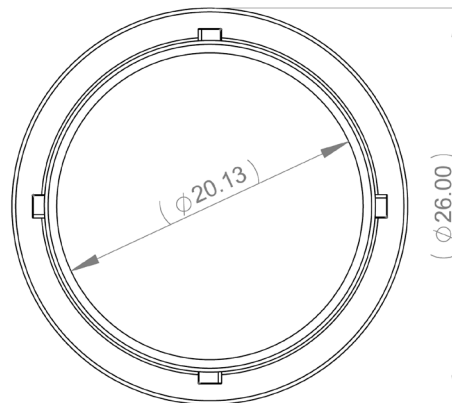
(26" Diameter)

### Features:

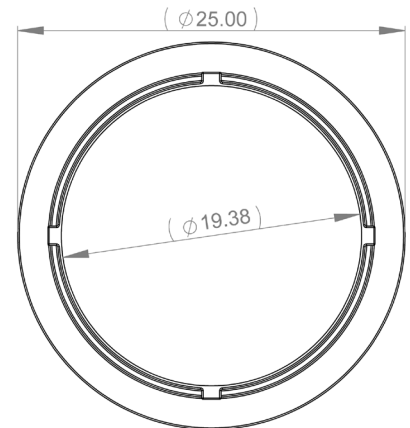
- Patented 26" polyethylene risers
- All components include twist lock tabs
- Tamper resistant fasteners and fastening tool included with each lid
- Tested to withstand up to 2500 lb wheel load
- May be cast-in or retrofit to any concrete tank



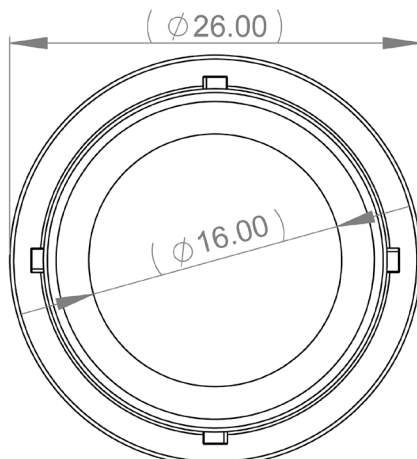
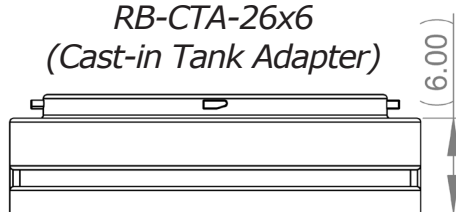
RB-R-26x18 (Riser)



RB-PTA-26x2  
(Poly Tank Adapter)



RB-CTA-26x6  
(Cast-in Tank Adapter)



### Materials:

#### Risers and Lids

- High density non-corrosive polyethylene plastic
- Stainless steel screws
- Neoprene gasket

### Warranty for Defects in Material and Workmanship

- Risers and Lids - 2 Years

### IMPORTANT:

- When adding risers together for deeper installations Quanics does not recommend exceeding a maximum depth of 48".
- Neoprene gaskets must be installed as per instructions
- To prevent unauthorized entry install all tamper resistant fasteners as per instructions

AutoCad R-14 dwg files at [www.quanics.net](http://www.quanics.net)

