



DISTRIBUTION VALVE ASSEMBLIES

FEATURES

- Completely pre-assembled and ready to install.
- Quanics Heavy Duty 26" by 18" or 26" by 12" diameter rotational molded basin, 26" lid, gasket pack, and security screws.
- Inline quick disconnect shut-off and quick disconnect on outgoing lines.
- K-RAIN 4000 & 6000 Series Indexing

Valves: Easy to install and maintain, K-Rain's patented hydraulic actuated indexing valve changes zones when the water flow is interrupted.

These valves are ideal on pump applications, on site waste water disposal and reclaimed water systems.

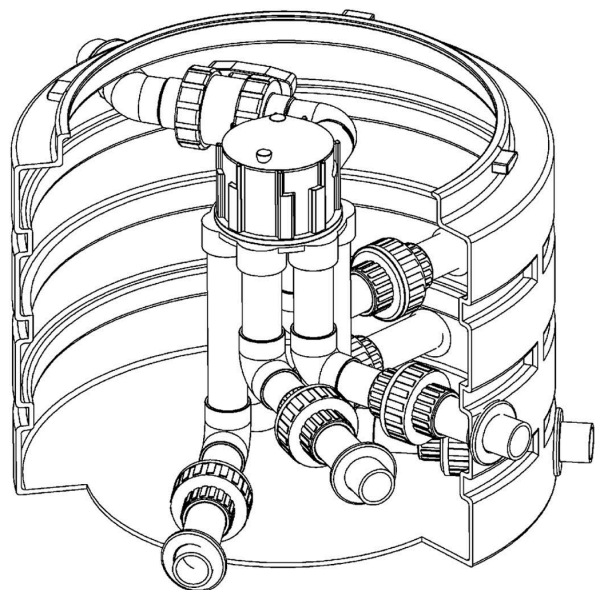
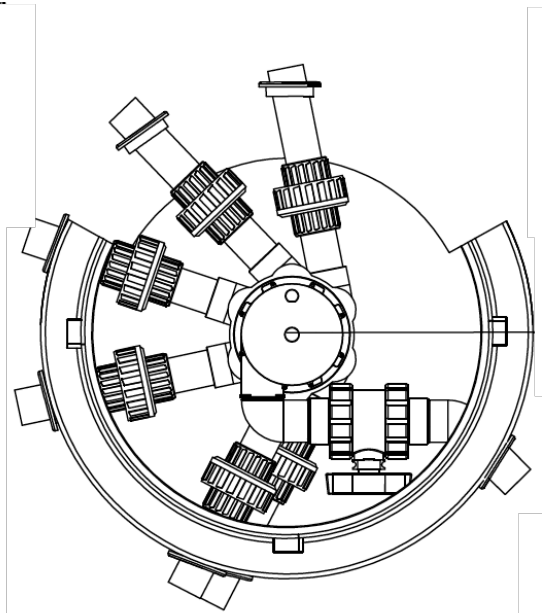
- Two Year Limited Warranty.

4000 SERIES

- Application: Residential/Light Commercial
- Outlets: 4 and 6 - Can quickly and easily change from two to six watering zones.
- ABS Polymer Construction – High-strength, non-corrosive body for long product life.
- Simplicity of Design – Valves are easily maintained and serviced for long product life.
- Operates at Low 10 GPM (38 LPM) at Pressures of 25-75 PSI (1,7-5,2 bar).
- Optional Atmospheric Vacuum Breaker - Releases any vacuum created between the pump and the valve on shut down.

6000 SERIES

- Commercial/Industrial
- Outlets: 4 and 6 - Can quickly and easily change from two to six watering zones.
- Metal Die-Cast Body – Durable, long lasting and capable of high pressure applications.
- Simplicity of Design – Valves are easily maintained and serviced for long product life.
- Operates at 15 GPM (57 LPM) at Pressures of 25–150 PSI (1,7-10,3 bar).
- Built-in Atmospheric Vacuum Breaker - Releases any vacuum created between the pump and the valve on shut down.



Technical Information

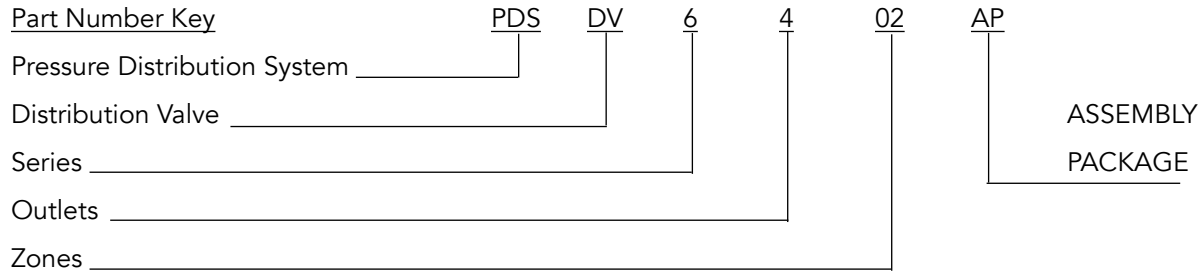


Pressure Rating

Series 4000 - 25 to 75 PSI

Series 6000 - 25 to 250 PSI

Part Number Key



Part Number	Inlet - Outlet	Flow Range	Pressure Loss										
PDS-DV-4402	1 1/4" x 1 1/4"	10-40 gpm	<table border="1"> <tr> <td>Flow (gpm)</td> <td>10</td> <td>20</td> <td>30</td> <td>40</td> </tr> <tr> <td>PSI Loss.</td> <td>2.0</td> <td>3.0</td> <td>4.5</td> <td>6.4</td> </tr> </table>	Flow (gpm)	10	20	30	40	PSI Loss.	2.0	3.0	4.5	6.4
Flow (gpm)	10	20		30	40								
PSI Loss.	2.0	3.0	4.5	6.4									
PDS-DV-4403	1 1/4" x 1 1/4"	10-40 gpm											
PDS-DV-4404	1 1/4" x 1 1/4"	10-40 gpm	<table border="1"> <tr> <td>Flow (gpm)</td> <td>10</td> <td>20</td> <td>30</td> </tr> <tr> <td>PSI Loss.</td> <td>2.0</td> <td>3.0</td> <td>4.5</td> </tr> </table>	Flow (gpm)	10	20	30	PSI Loss.	2.0	3.0	4.5		
Flow (gpm)	10	20		30									
PSI Loss.	2.0	3.0	4.5										
PDS-DV-4605	1 1/4" x 1"	10-25 gpm											
PDS-DV-4606	1 1/4" x 1"	10-25 gpm	<table border="1"> <tr> <td>Flow (gpm)</td> <td>20</td> <td>40</td> <td>60</td> <td>80</td> </tr> <tr> <td>PSI Loss.</td> <td>2.5</td> <td>3.5</td> <td>5.0</td> <td>10.0</td> </tr> </table>	Flow (gpm)	20	40	60	80	PSI Loss.	2.5	3.5	5.0	10.0
Flow (gpm)	20	40		60	80								
PSI Loss.	2.5	3.5	5.0	10.0									
PDS-DV-6402	1 1/2" x 1 1/2"	15-150 gpm											
PDS-DV-6403	1 1/2" x 1 1/2"	15-150 gpm											
PDS-DV-6404	1 1/2" x 1 1/2"	15-150 gpm	<table border="1"> <tr> <td>Flow (gpm)</td> <td>20</td> <td>40</td> <td>60</td> <td>80</td> </tr> <tr> <td>PSI Loss.</td> <td>3.0</td> <td>4.0</td> <td>6.0</td> <td>9.0</td> </tr> </table>	Flow (gpm)	20	40	60	80	PSI Loss.	3.0	4.0	6.0	9.0
Flow (gpm)	20	40		60	80								
PSI Loss.	3.0	4.0	6.0	9.0									
PDS-DV-6605	1 1/2" x 1 1/2"	15-150 gpm											
PDS-DV-6606	1 1/2" x 1 1/2"	15-150 gpm											

Materials

Series 4000 - ABS Polymer Construction – High-strength, non- corrosive body for long product life.

Series 6000 - Valve Top: A high strength metal die cast top which is secured to the valve body by eight stainless steel screws. Valve Body: A high strength metal die cast housing. Valve Bottom: High strength ABS plastic bottom which is secured to valve body with 6 stainless steel screws.