

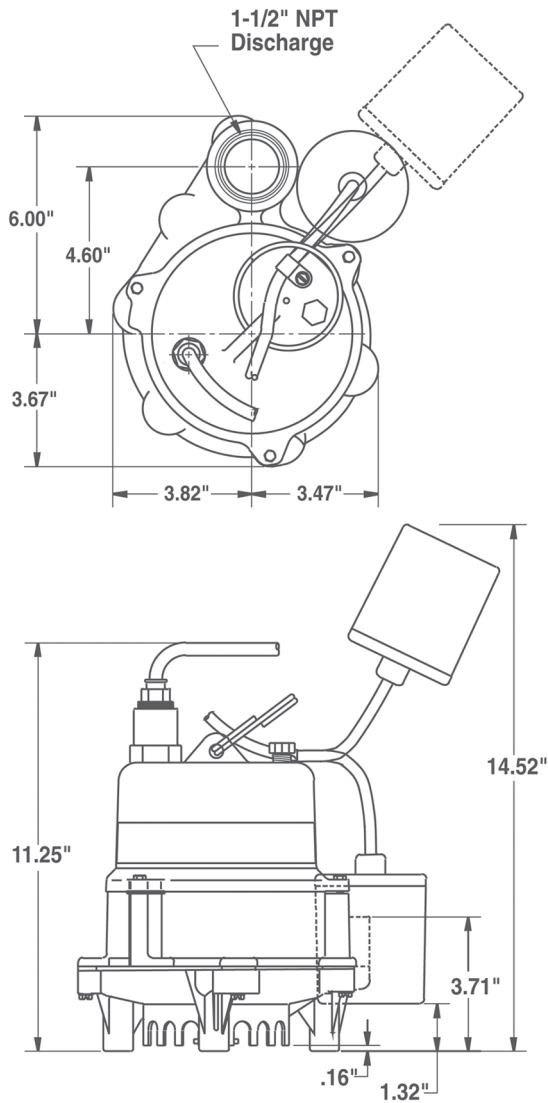


P.O. Box 1520  
 Crestwood, KY 40014  
**1-877-QUANICS**  
[www.quanics.net](http://www.quanics.net)

**STEP Systems**  
**Effluent Pump**  
**P-SE-13T**

**Features**

- Carbon/Ceramic mechanical seal
- Piggy-back style float for automatic or manual operation
- Oil-filled motor with automatic reset overload provides safe operation
- Ball bearing construction for long life



**Specifications**

- Capacities: to 55 GPM
- Heads: To 21 FT
- Motor: 1/3 HP (1550 RPM)
- Electrical: 115 V, 12.0FLA, 1Ph, 60Hz
- Operation: Tethered float
- Impeller: Thermoplastic, non-clog, vortex type
- Solids Handling: 3/4" (19mm)
- Power Cord: 20' (6M) 16-3, SJTW-A/SJTW
- Discharge: 1-1/2"

**Warranty for Defects in Material and Workmanship**

- All components - 3 Years
- AutoCad R-14 dwg files at [www.zabelzone.com/autocad.htm](http://www.zabelzone.com/autocad.htm)**

