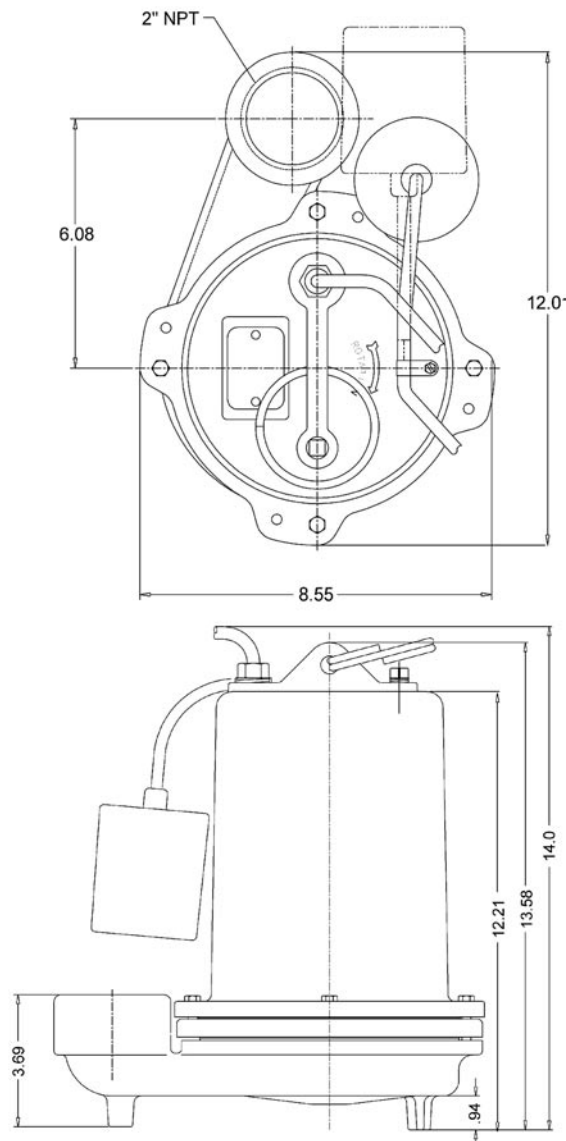


## Pumps (Effluent) P-SE-10T

### Features

- Cast iron construction
- Carbon/ceramic mechanical seal
- Piggy-back style float for automatic or manual operation
- Oil-filled motor with automatic reset overload provides safe operation
- Designed for septic effluent applications



### Specifications

**Capacities:** 96 GPM @ 10' head

**Heads:** To 72'

**Motor:** 1 HP, PSC with thermal overload

**Electrical:** 230V, 6.6FLA, 1Ph, 60Hz

**Operation:** Tethered float

**Impeller:** Cast iron, non-clog, open vane type

**Solids Handling:** 3/4" (19mm)

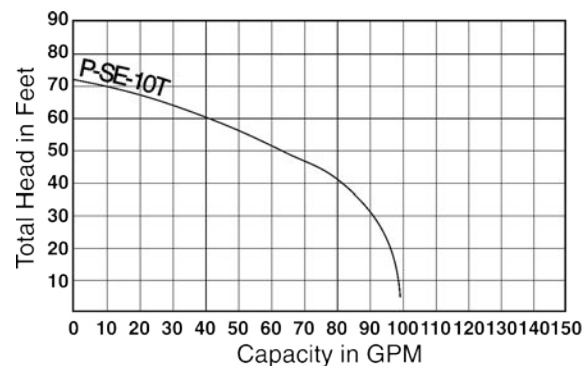
**Power Cord:** 10' (3M) or 20' (6M) 16-3, SJTW-A/SJTW

**Discharge:** 2"

**Warranty for Defects in Material and Workmanship**

- 3 Years

AutoCad dwg files at [www.quanics.net](http://www.quanics.net)



**1-877-QUANICS - [www.quanics.net](http://www.quanics.net)**

**Quanics**  
Engineering Water Solutions®

© 2007, Quanics Inc. All rights reserved.  
Product(s) covered by one or more U.S.  
and/or International patents. Other U.S. and  
International patents may be pending.

DOWNLOAD  
AutoCAD  
DRAWINGS