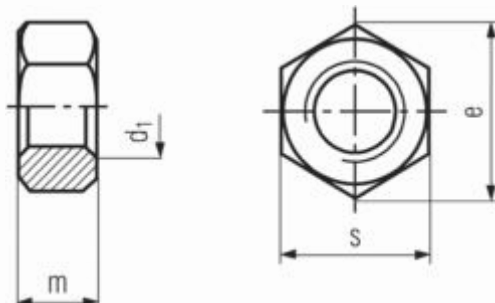


## DIN 934 - Hexagon Nuts – 0.8d



\*All measurements in millimeters (mm)\*

| d <sub>1</sub> | s   | e     | m   |
|----------------|-----|-------|-----|
| M1             | 2.5 | 2.72  | 0.8 |
| M1.2           | 3   | 3.29  | 1   |
| M1.4           | 3   | 3.29  | 1.2 |
| M1.6           | 3.2 | 3.48  | 1.3 |
| M1.7           | 3.5 | 3.82  | 1.4 |
| M2             | 4   | 4.32  | 1.6 |
| M2.3           | 4.5 | 4.95  | 1.8 |
| M2.5           | 5   | 5.45  | 2   |
| M2.6           | 5   | 5.51  | 2   |
| M3             | 5.5 | 6.01  | 2.4 |
| M3.5           | 6   | 6.01  | 2.8 |
| M4             | 7   | 7.66  | 3.2 |
| M5             | 8   | 8.76  | 4   |
| M6             | 10  | 11.05 | 5   |
| M7             | 11  | 12.12 | 5.5 |
| M8             | 13  | 14.38 | 6.5 |
| M10            | 17  | 18.9  | 8   |
| M12            | 19  | 21.1  | 10  |
| M14            | 22  | 24.49 | 11  |
| M16            | 24  | 26.75 | 13  |
| M18            | 27  | 29.56 | 15  |
| M20            | 30  | 32.95 | 16  |
| M22            | 32  | 35.03 | 18  |
| M24            | 36  | 39.55 | 19  |
| M27            | 41  | 45.2  | 22  |
| M30            | 46  | 50.85 | 24  |
| M33            | 50  | 55.37 | 26  |

| d <sub>1</sub> | s   | e      | m   |
|----------------|-----|--------|-----|
| M36            | 55  | 60.79  | 29  |
| M39            | 60  | 66.44  | 31  |
| M42            | 65  | 71.3   | 34  |
| M45            | 70  | 76.95  | 36  |
| M48            | 75  | 82.6   | 38  |
| M52            | 80  | 88.25  | 42  |
| M56            | 85  | 95.07  | 45  |
| M60            | 90  | 100.72 | 48  |
| M64            | 95  | 106.37 | 51  |
| M68            | 100 | 112.02 | 54  |
| M72            | 105 | 117.67 | 58  |
| M76            | 110 | 123.32 | 61  |
| M80            | 115 | 128.97 | 64  |
| M85            | 120 | 133.11 | 68  |
| M90            | 130 | 145.77 | 72  |
| M95            | 135 | 151.42 | 76  |
| M100           | 145 | 162.72 | 80  |
| M105           | 150 | 168.37 | 84  |
| M110           | 155 | 174.02 | 88  |
| M115           | 165 | 185.32 | 92  |
| M120           | 170 | 190.97 | 96  |
| M125           | 180 | 202.27 | 100 |
| M130           | 185 | 207.75 | 104 |
| M135           | 190 | 213.4  | 108 |
| M140           | 200 | 224.7  | 112 |
| M145           | 210 | 236    | 116 |
| M150           | 210 | 236    | 120 |

FOR INFORMATION PURPOSES ONLY

©Fastener Network Holdings Ltd, Unit B, Grazebrook Industrial Park, Peartree Lane, Dudley, West Midlands, DY2 0XW, United Kingdom

T: +44 (0) 1384 217 600 F: +44 (0) 1384 217 606

[www.fastenernetwork.co.uk](http://www.fastenernetwork.co.uk)