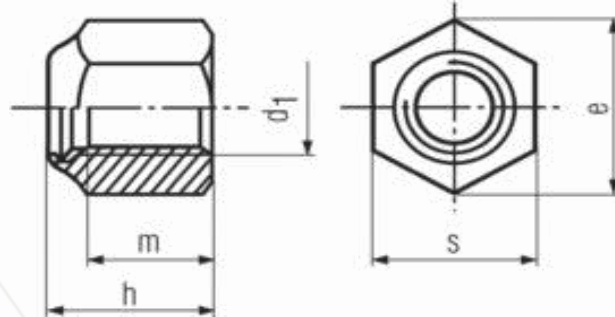


DIN 982 - Nylon Insert Self-locking Nuts Type P



All measurements in millimeters (mm)

d_1	s	e	m min	h
M5	8	8.79	3.52	6.3
M6	10	11.05	3.92	8
M8	13	14.38	5.15	9.5
M10	17	18.9	6.43	11.5
M12	19	21.1	8.3	14
M14	22	24.49	9.68	16
M16	24	26.75	11.28	18
M20	30	32.95	13.52	22
M24	36	39.55	16.16	28

FOR INFORMATION PURPOSES ONLY

©Fastener Network Holdings Ltd, Unit B, Grazebrook Industrial Park, Peartree Lane, Dudley, West Midlands, DY2 0XW, United Kingdom

T: +44 (0) 1384 217 600 F: +44 (0) 1384 217 606

www.fastenernetwork.co.uk