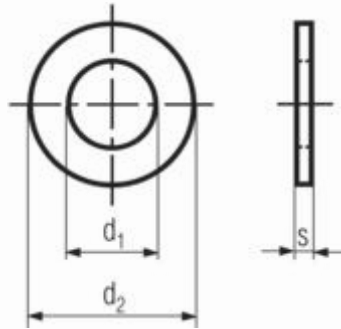


DIN 126 - Flat Washer Without Chamfer



All measurements in millimeters (mm)

| d₁ | used for | d₂ | s |
|----------------------|-----------------|----------------------|----------|
| 5.5 | M5 | 10 | 1 |
| 6.6 | M6 | 12 | 1.6 |
| 7.6 | M7 | 14 | 1.6 |
| 9 | M8 | 16 | 1.6 |
| 11 | M10 | 20 | 2 |
| 13.5 | M12 | 24 | 2.5 |
| 15.5 | M14 | 28 | 2.5 |
| 17.5 | M16 | 30 | 3 |
| 22 | M20 | 37 | 3 |
| 26 | M24 | 44 | 4 |
| 30 | M27 | 50 | 4 |
| 33 | M30 | 56 | 4 |
| 36 | M33 | 60 | 5 |
| 39 | M36 | 66 | 5 |
| 42 | M39 | 72 | 6 |
| 45 | M42 | 78 | 7 |
| 48 | M45 | 85 | 7 |
| 52 | M48 | 92 | 8 |
| 56 | M52 | 98 | 8 |
| 62 | M56 | 105 | 9 |
| 66 | M60 | 110 | 9 |
| 70 | M64 | 115 | 9 |

FOR INFORMATION PURPOSES ONLY

©Fastener Network Holdings Ltd, Unit B, Grazebrook Industrial Park, Peartree Lane, Dudley, West Midlands, DY2 0XW, United Kingdom

T: +44 (0) 1384 217 600 F: +44 (0) 1384 217 606

www.fastenernetwork.co.uk