



Jay Swaminarayan



ISO 9001:2018 CERTIFIED



Product Range Brochure

Importer, Dealer & Manufacturer

Hightensile Hex & Socket Fasteners,SS 304,SS 316

Hex & Socket Fasteners,Insert Nuts,Rivets,SDS

Screws,Anchor Fasteners,NordLock

Washers,Chemical Mortars,Security Fasteners,Drill

Bits,Tap Sets,Foundation Bolts,ASTM Fasteners.

AUTHORIZED DEALERS



NORD-LOCK
Bolt securing systems



BDN FASTENERS

About Us

Since 1974 We Have Been Engaged in Dealing & Manufacturing Of Industrial Fasteners. We Are Dealing In Hightensile Hex Head & Socket Head Fasteners In 8.8,10.9,12.9 Grades.SS 304 & SS 316 Hex Head & Socket Head Fasteners.Special Security Fasteners.All Type Of Anchor Fastners Like Pin Type Anchor Fastners,Wedge Anchors ,Rawal Anchors,Hook Type Anchors,Chemical Anchor,Bullet Anchors.Alumium & SS Pop Rivets,Multi Grip Rivets,Monobolt Rivets.Nord Lock Washers. Astm Standard Studs & Hex Bolts,Foundation Bolts.

We Are Importers & Distributors Of Fasteners & Fixings Under Our Own Brand S&G Fastech.



AUTHORIZED DEALER



Sundram Fasteners Ltd

We are Authorized Dealer Of Sundram Fasteners Ltd (TVS) For Socket & Hex Head Fasteners In Entire Range.



Socket Head Bolt
Grade 12.9
M4-M36

Hex Head Bolt
Grade 8.8,10.9
M4-M48

Allen Csk Bolt
Grade 12.9
M3-M20

Hex Nut In 8,10 Grade from M4-M42,Allen Button Head Bolt in12.9 Grade From M3-M10.Zinc White,Zinc Yellow,Olive Green,Geomet Coating Available On Request.



AUTHORIZED DEALER



Forbes & Company Limited



"BBBB"

We Are Authorized Dealer Of "BBBB" Spring Washers
In Carbon-Steel & SS 304 In Entire Range.



**Spring Washer
Sq & Flat Section
(M3-M62)**



**SS 304 Spring Washer
Sq & Flat Section
(M3-M25)**



AUTHORIZED DEALER



NORD-LOCK®

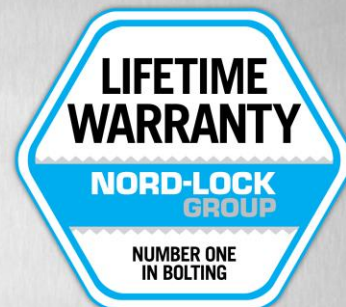
Bolt securing systems

We Authorized Dealer Of Nordlock International AB (Sweden) In Carbon Steel,SS 316,Hastelloy,Inconel.



**Carbon Steel,SS 304 , Hatelloy,Inconel
(M3-M100)
Superior Wedge Lock Washer.**

**THE BEST WARRANTY
YOU'LL LIKELY NEVER NEED**



NORD-LOCK®  **SUPERBOLT™** **BOLTIGHT™**  **Expander®**




AUTHORIZED DEALER




BDN FASTENERS

METAL-Tite™
STITCHING FASTENERS
 Carbon steel fasteners for fixing steel sheets into steel substrates

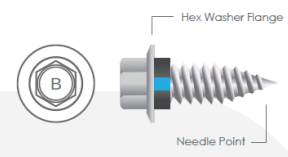


METAL-Tite™
CREST FIXING FASTENERS
 Carbon steel fasteners for fixing steel sheets into steel substrates



STEEL PENETRATION
 Max 1.0mm thick

ADAPTER TO USE
 Magnetic Hex Socket (5/16")



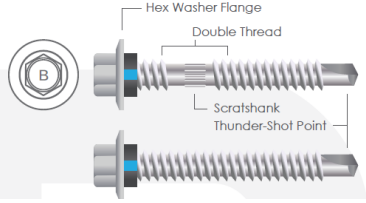
PART NUMBER

Silver / SST 1000hrs

BS-SDHST1019C3N	10-16 x 19mm
BS-SDHST1025C3N	10-16 x 25mm

STEEL PENETRATION
 Max 6.0mm thick (For #12 gauge)

ADAPTER TO USE
 Magnetic Hex Socket (5/16")




PART NUMBER


Silver / SST 1000hrs

BS-SDHCG1245C3N	12-14 x 45mm	BS-SDHC1245C3N	12-14 x 45mm
BS-SDHCG1255C3N	12-14 x 55mm	BS-SDHC1255C3N	12-14 x 55mm
BS-SDHCG1265C3N	12-14 x 65mm	BS-SDHC1265C3N	12-14 x 65mm
BS-SDHCG1275C3N	12-14 x 75mm	BS-SDHC1275C3N	12-14 x 75mm

POLYXPAND™
SKYLIGHT FIXING FASTENERS
 Carbon steel fasteners for fixing skylight to steel substrates

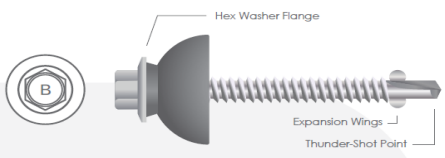


TIMBER-Tite™
VALLEY FIXING FASTENERS
 Carbon steel fasteners for fixing steel sheets into timber substrates



STEEL PENETRATION
 Max 5.5mm Thick

ADAPTER TO USE
 Magnetic Hex Socket (5/16")



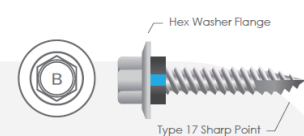
PART NUMBER

Silver / SST 1000hrs

BS-SDHCP1255C3D	12-14 x 55mm
-----------------	--------------

TIMBER PENETRATION
 Min 20mm penetration

ADAPTER TO USE
 Magnetic Hex Socket (5/16")



PART NUMBER

Silver / SST 1000hrs

BS-T17H1020C3N	10-12 x 20mm
BS-T17H1025C3N	10-12 x 25mm

**We Are Authorized Dealer Of
 "BDN FASTENERS". It Complies With AS3566.2 (2002).
 1000 hrs SST.20 Years Of Warrenty.
 EPDM Washer Made By DEKS (Australia).**



AUTHORIZED SUB-DEALER



fischer ®
F I X I N G S Y S T E M S

We Are Authorized Sub Dealer Of Fischer Fasteners & Fixing Systems In Entire Range.



Chemical Anchor



Frame Fixing Anchor



Mechanical Anchor



Nylon Plug



Chemical Mortar



AUTHORIZED SUB-DEALER



Forbes & Company Limited



We Are Authorized Sub Dealer Of Totem Tap Sets,
Drill Bits, Rotary Burrs.



Tap Sets



HSS Drill Bits



Rotary Burrs



Our Channel Partner



Unbrako
THE WORLD LEADER

We Are Stockists Of Unbrako Make Hightensile,SS 304,SS 316
Hex Head & Socket Head Fasteners.



Hex Head Bolt

Grade 10.9,SS3 304, SS 316

M6-M48



Socket Head Bolt

Grade 12.9,SS 304, SS 316

M4-M36

Hex Nut In 8,10,SS 304 , SS 316 Grade from M4-M42,Allen Button
Head Bolt in12.9 Grade From M3-M10.Zinc White,Zinc Yellow,Olive
Green,Geomet Coating Available On Request.

Our Channel Partners



for those who want the best

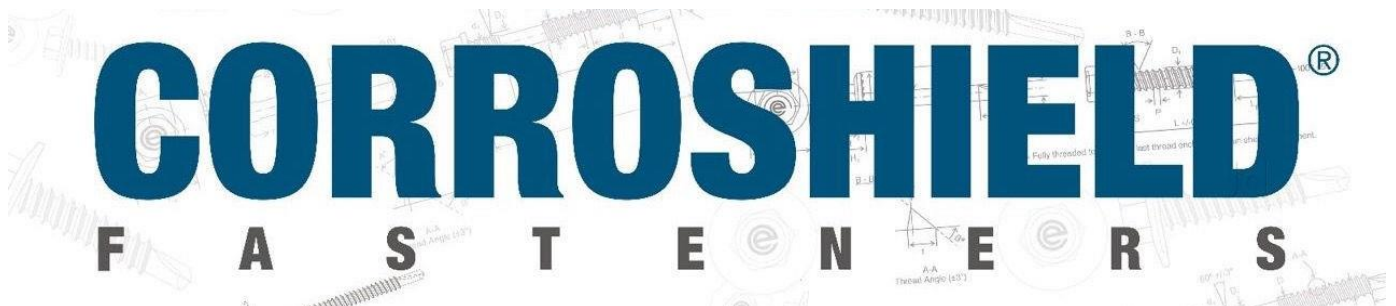
AGARWAL FASTENERS PVT. LTD.

Manufacturers Of Stainless Steel Fasteners

An ISO 9001 - 2008 Company



Stokists





We Are Importers & Distributors Of Fasteners & Fixings Under Our Own Brand S&G Fastech.



**SS & MS
Insert Nut**



**Aluminium & SS
Pop Rivet**



**MS & SS
Mono Bolt Rivet**



**MS & SS
Clinch Studs**



**MS & SS
Clinch Nuts**



**MS & SS
Weld Studs**



**Wedgelock
Washer**



**SS 304 Riplock
Washer**



Torx Screws



SS SDS Screws



Self Drilling Screws



Riveting Tools



Pneumatic Riveting Tools

CONTACT US

KANTILAL AND BROTHERS

Manibhuvan, Golwadnaka,

Laheripura New Road,

Vadodara (Gujarat)

India-390001

(E) : Kantilalnbrothers@gmail.com

info@kbfasteners.in

(M) : 8460616032

9601299511

9879095137

(W) : www.kbfasteners.in