



**BDN** FASTENERS

AS3566 Australian Standard  
**BUILDING FASTENERS**

100% Made in Taiwan



ISO 9001:2015




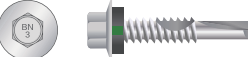





**AS3566**  
Australian Standard






# CONTENTS



## Dual-Edge® METAL-Tite™ Self-Drilling Screws

Valley Fixing Fasteners		2
Valley Fixing Fasteners - Heavy Section		3
Crest Fixing Fasteners - Double Thread		4
Crest Fixing Fasteners - Full Thread		5
Stitching Fasteners - Reduced Point		6
Stitching Fasteners - Needle Point		7
Concealed Fixing Fasteners		8

## Framing Fasteners

FRAME-Tite™ Fixing to Steel Wall Frames		9
TRUSS-Tite™ Fixing Steel Roof and Floor Trusses		10
Truss to Plate Connection		11

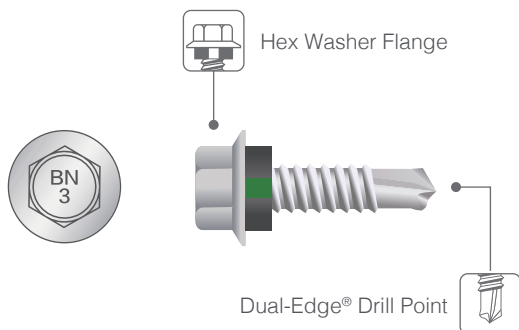
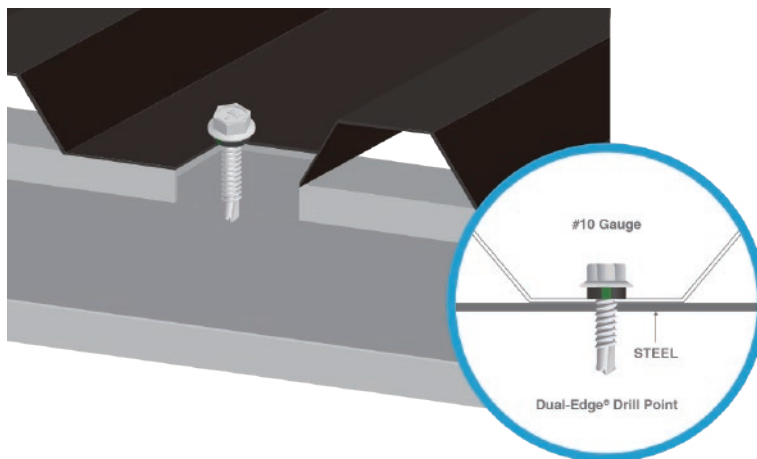
## TIMBER-Tite™ Self-Tapping Screws (Type 17)

Valley Fixing Fasteners		12
Crest Fixing Fasteners		13

AS3566 Australian Standard • 100% Made in Taiwan

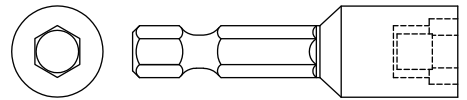
# BN3 Dual-Edge® METAL-Tite™ Self-Drilling Screws

## Self Drilling Screws for Fixing Cladding to Metal



### ADAPTER TO USE

Magnetic Hex Socket (5/16")



### STEEL PENETRATION

Max 4.0mm thick (For #10 gauge)

Max 6.0mm thick (For #12 gauge)

### PRODUCT FEATURES

Hex Washer Flange

Dual-Edge® Drill Point

### WASHER

Eco-BDN® Green Washer



**Eco-BDN**  
Green Washer

## PART NUMBER

### #10 Gauge

SDHC1016C3N 10-16 x 16mm

SDHC1019C3N 10-16 x 19mm

SDHC1025C3N 10-16 x 25mm

### #12 Gauge

SDHC1220C3N 12-14 x 20mm

SDHC1225C3N 12-14 x 25mm

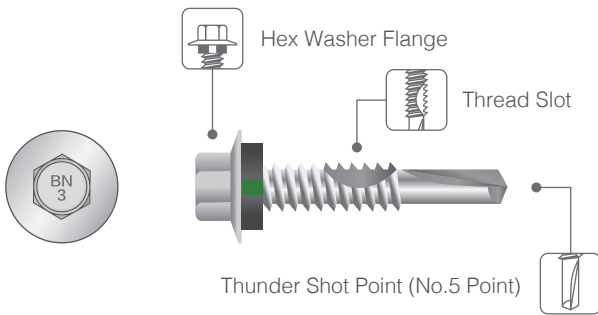
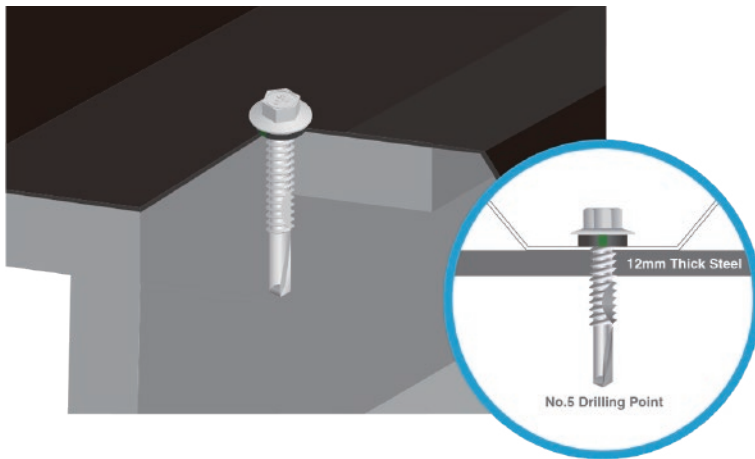
SDHC1230C3N 12-14 x 30mm

SDHC1235C3N 12-14 x 35mm

**SST 1000 hrs + Kesternich 7 cycles**

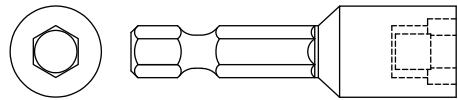


## Self Drilling Screws for Fixing to Thick Steel



### ADAPTER TO USE

Magnetic Hex Socket (5/16")



### STEEL PENETRATION

Max 12.5mm thick

### PRODUCT FEATURES

- Hex Washer Flange
- Thread slot
- No.5 Drilling Point

### WASHER

Eco-BDN® Green Washer



## PART NUMBER

### #12 Gauge

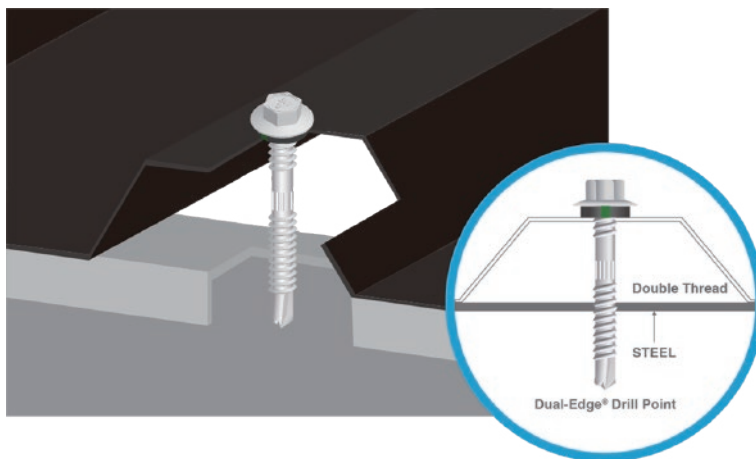
- SDH5F1232C3N 12-14 x 32mm
- SDH5F1238C3N 12-14 x 38mm
- SDH5F1250C3N 12-14 x 50mm

SST 1000 hrs + Kesternich 7 cycles

AS3566 Australian Standard • 100% Made in Taiwan

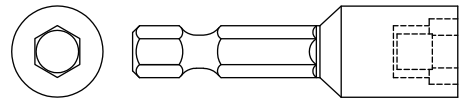
# BN3 Dual-Edge® METAL-Tite™ Self-Drilling Screws

## Self Drilling Screws for Fixing Roof Sheeting to Metal - Double Thread



### ADAPTER TO USE

Magnetic Hex Socket (5/16")



### STEEL PENETRATION

Max 6.0mm thick (For #12 gauge)

### PRODUCT FEATURES

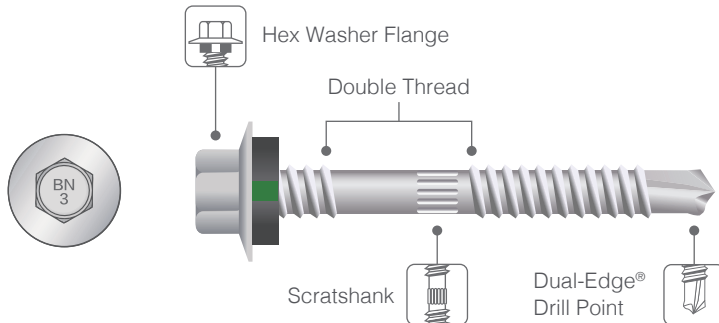
Hex Washer Flange  
Dual-Edge® Drill Point  
Double Thread  
Scratchank

### WASHER

Eco-BDN® Green Washer



 Eco-BDN  
Green Washer



## PART NUMBER

### #12 Gauge

SDHCG1250C3N 12-14 x 50mm

SDHCG1255C3N 12-14 x 55mm

SDHCG1265C3N 12-14 x 65mm

SDHCG1275C3N 12-14 x 75mm

SDHCG1285C3N 12-14 x 85mm

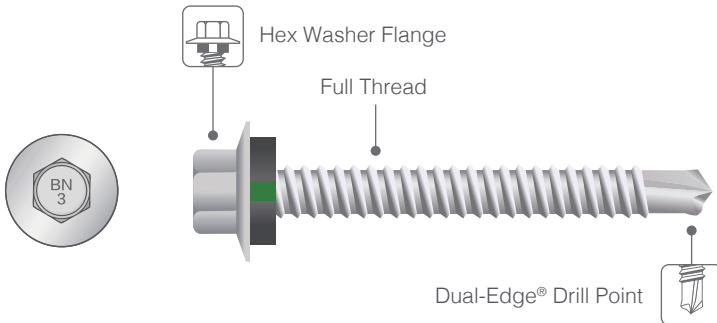
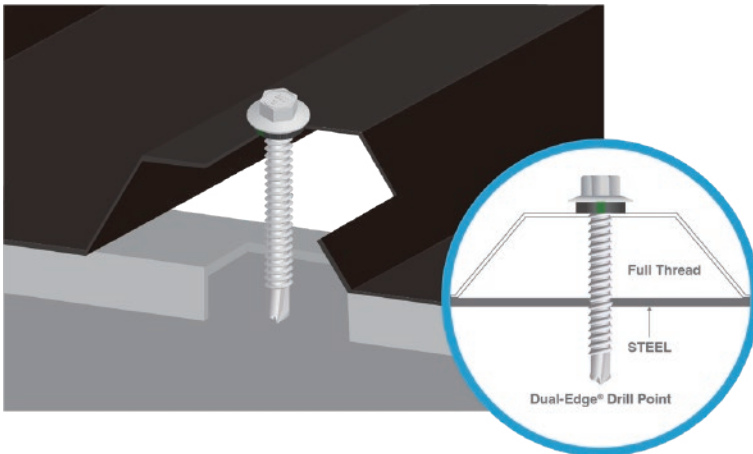
SDHCG12110C3N 12-14 x 110mm

SDHCG12130C3N 12-14 x 130mm

**SST 1000 hrs + Kesternich 7 cycles**

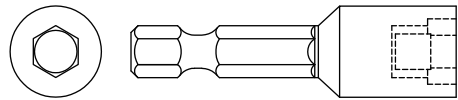


## Self Drilling Screws for Fixing Roof Sheeting to Metal - Full Thread



### ADAPTER TO USE

Magnetic Hex Socket (5/16")



### STEEL PENETRATION

Max 6.0mm thick (For #12 gauge)

### PRODUCT FEATURES

Hex Washer Flange  
Full Thread  
Dual-Edge® Drill Point

### WASHER

Eco-BDN® Green Washer



## PART NUMBER

### #12 Gauge

SDHC1245C3N	12-14 x 45mm	SDHC1275C3N	12-14 x 75mm
SDHC1255C3N	12-14 x 55mm	SDHC1290C3N	12-14 x 90mm
SDHC1265C3N	12-14 x 65mm		

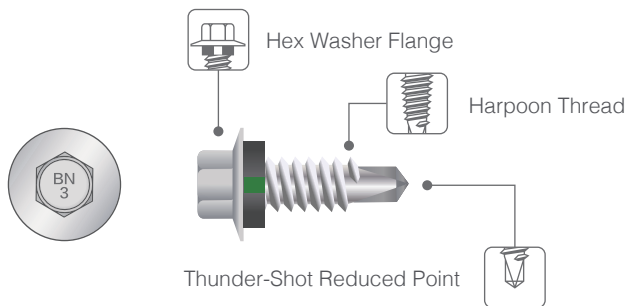
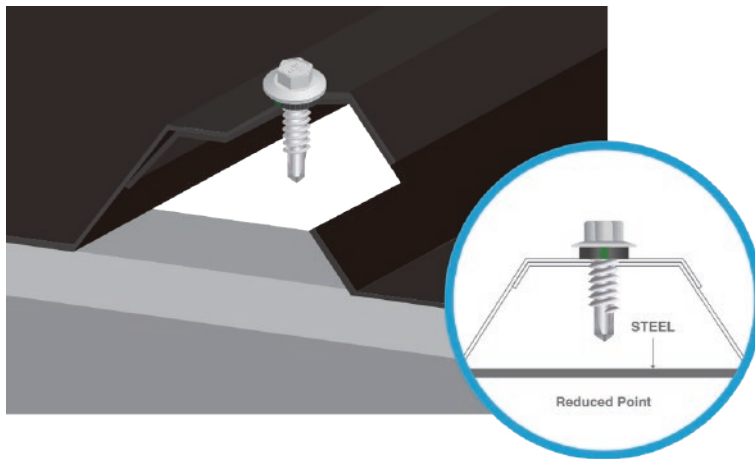
SST 1000 hrs + Kesternich 7 cycles



AS3566 Australian Standard • 100% Made in Taiwan

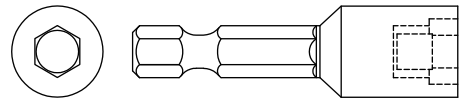
# BN3 Dual-Edge® METAL-Tite™ Self-Drilling Screws

## Stitching Fasteners - Reduced Point



### ADAPTER TO USE

Magnetic Hex Socket (5/16")



### STEEL PENETRATION

Max 2.0mm thick (For #15 gauge)

### PRODUCT FEATURES

Hex Washer Flange  
Thunder-Shot Reduced Point  
Harpoon Thread

### WASHER

Eco-BDN® Green Washer



 Eco-BDN  
Green Washer

## PART NUMBER

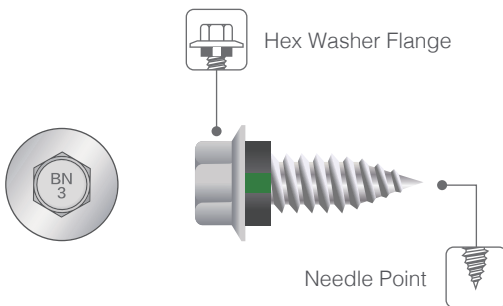
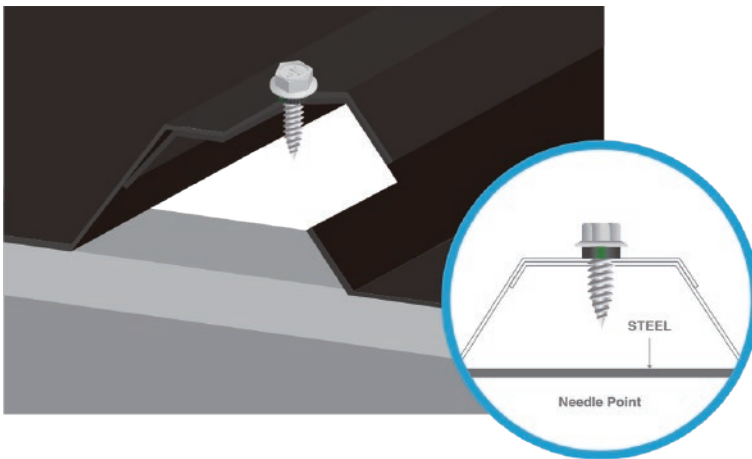
### #15 Gauge

SDHC1520C3N 15-15 x 20mm

SST 1000 hrs + Kesternich 7 cycles

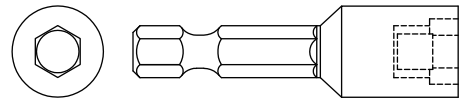


## Stitching Fasteners - Needle Point



### ADAPTER TO USE

Magnetic Hex Socket (5/16")



### STEEL PENETRATION

Max 1.0mm thick

### PRODUCT FEATURES

Hex Washer Flange  
Needle Point

### WASHER

Eco-BDN® Green Washer



## PART NUMBER

#10 Gauge

SDHST1019C3N 10-16x19mm

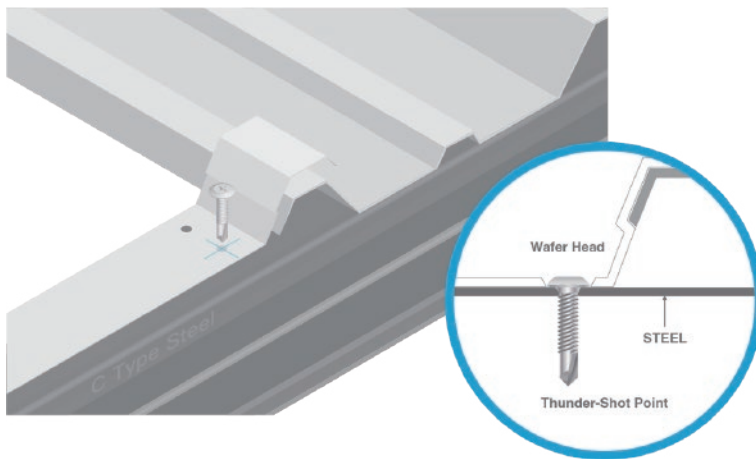
SST 1000 hrs + Kesternich 7 cycles



AS3566 Australian Standard • 100% Made in Taiwan

# BN3 Dual-Edge® METAL-Tite™ Self-Drilling Screws

## Concealed Fixing Fasteners



### ADAPTER TO USE

Philips Bit (PH2+)



### STEEL PENETRATION

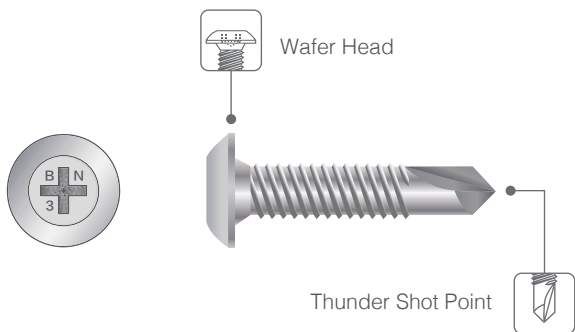
Max 4.0mm thick

### PRODUCT FEATURES

Wafer Head

Philips Drive

Thunder-Shot Point



## PART NUMBER

SDWF1016C3 10-24 x 16mm

SDWF1022C3 10-24 x 22mm

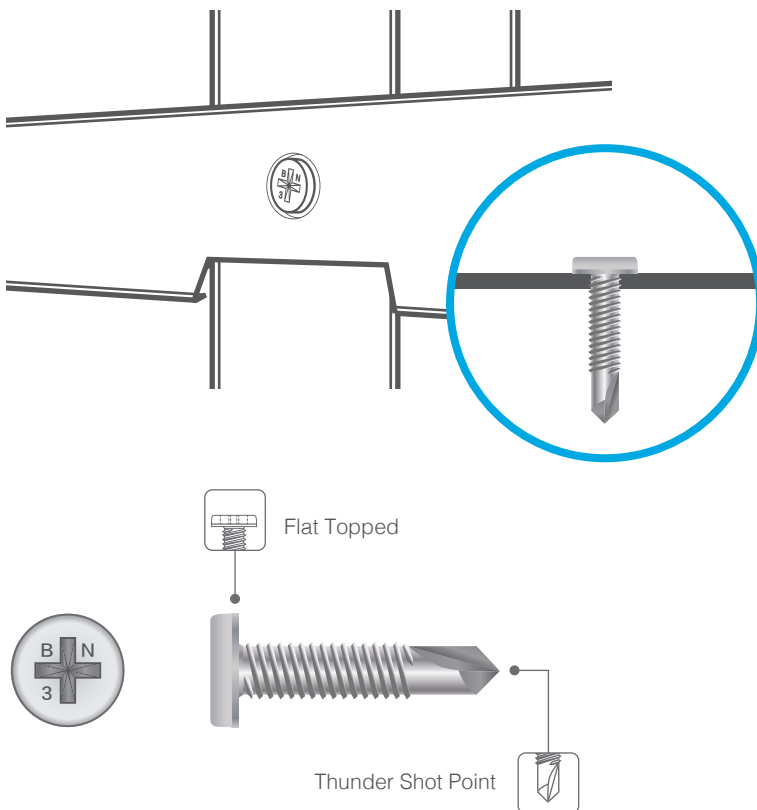
SST 1000 hrs + Kesternich 7 cycles



**AS3566**  
Australian Standard

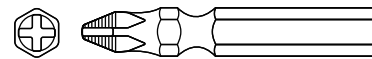


## Framing Fasteners - FRAME-Tite™ Fixing to Steel Wall Frames



### ADAPTER TO USE

Philips Bit (PH3+)



### STEEL PENETRATION

0.55mm x 2 to 1mm x 2

### PRODUCT FEATURES

- Smooth flat top head for discreet fixing
- Superior holding strength
- Easy application

## PART NUMBER

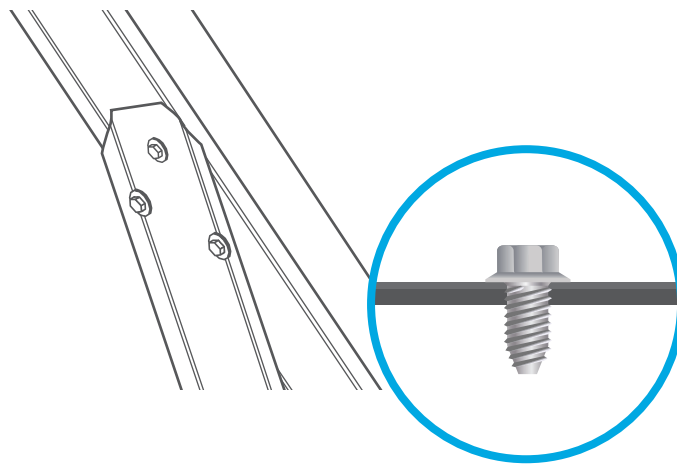
SDFHSF0622C3 M6.0-1.00 x 22mm

SST 1000 hrs + Kesternich 7 cycles

AS3566 Australian Standard • 100% Made in Taiwan

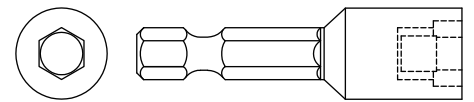
# BN3 Dual-Edge® METAL-Tite™ Self-Drilling Screws

## Framing Fasteners - TRUSS-Tite™ Fixing Steel Roof and Floor Trusses



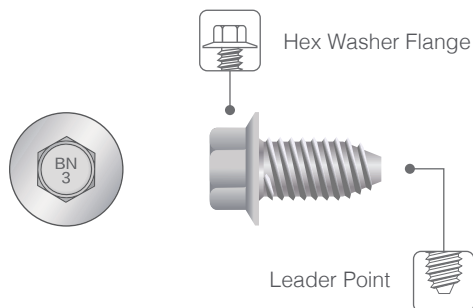
### ADAPTER TO USE

Magnetic Hex Socket (5/16")



### PRODUCT FEATURES

- Superior holding strength
- Self space tapping point makes it easy to start and align in the punched hole
- Easy application



### PART NUMBER

SDHTSF0816C3 M8.0-2.12x16mm

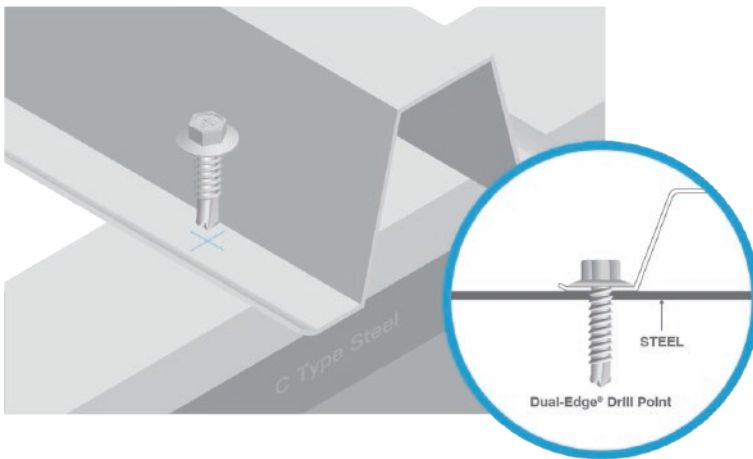
SST 1000 hrs + Kesternich 7 cycles



**AS3566**  
Australian Standard

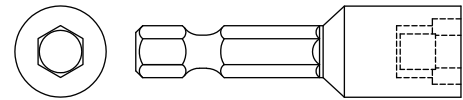


## Framing Fasteners - Truss to Plate Connection



### ADAPTER TO USE

Magnetic Hex Socket (5/16")

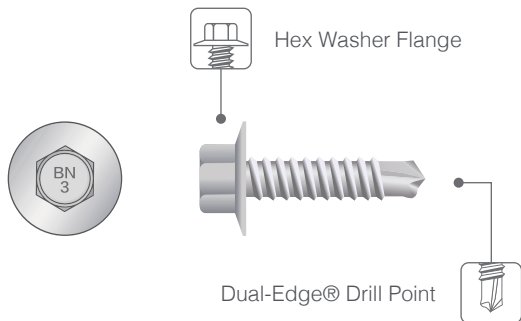


### STEEL PENETRATION

Max 6.0mm thick

### PRODUCT FEATURES

Dual-Edge® Drill Point  
High pull-out strength



## PART NUMBER

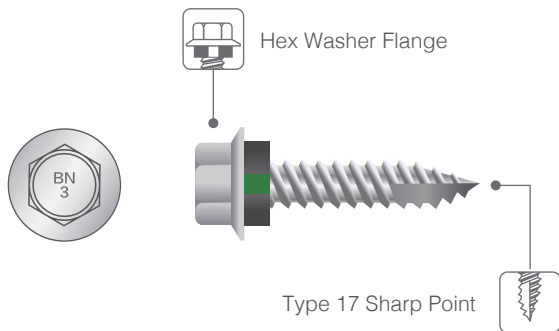
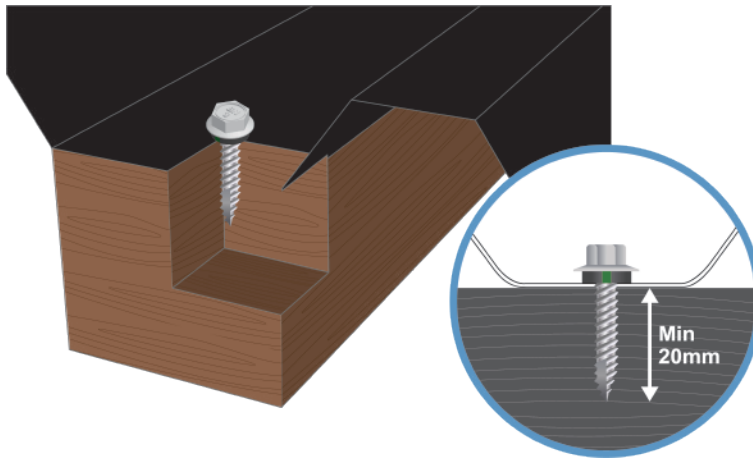
SDHCF1220C3 12-14 x 20mm

SST 1000 hrs + Kesternich 7 cycles

AS3566 Australian Standard • 100% Made in Taiwan

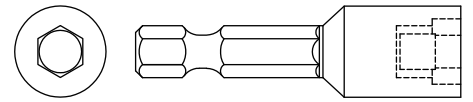
# BN3 TIMBER-Tite™ Self-Tapping Screws (Type 17)

## Fixing roof sheeting to timber - Valley Fixing Fasteners



### ADAPTER TO USE

Magnetic Hex Socket (5/16")



### TIMBER PENETRATION

Min 20mm penetration

### PRODUCT FEATURES

Hex Washer Flange  
Type 17 Sharp Point

### WASHER

Eco-BDN® Green Washer



 Eco-BDN  
Green Washer

## PART NUMBER

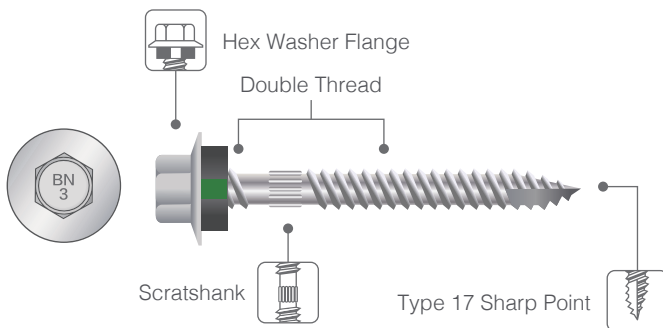
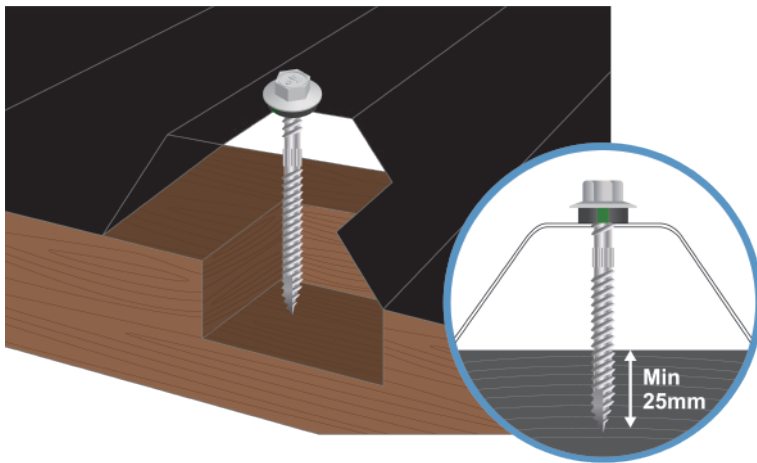
**#10 Gauge**

T17H1020C3N 10-12 x 20mm

**SST 1000 hrs + Kesternich 7 cycles**

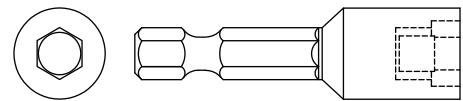


## Fixing roof sheeting to timber - Crest Fixing Fasteners



### ADAPTER TO USE

Magnetic Hex Socket (5/16")



### TIMBER PENETRATION

Min 25mm penetration

### PRODUCT FEATURES

Hex Washer Flange  
Type 17 Sharp Point  
Double Thread  
Scratshank

### WASHER

Eco-BDN® Green Washer



## PART NUMBER

### #12 Gauge

T17HCG1250C3N 12-11 x 50mm

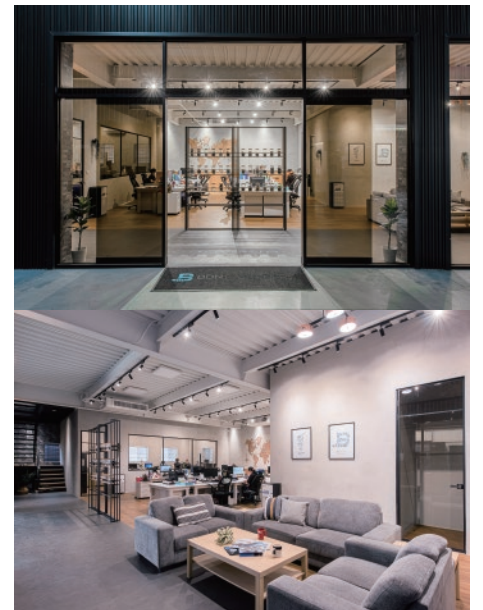
T17HCG1265C3N 12-11 x 65mm

T17HCG1275C3N 12-11 x 75mm

SST 1000 hrs + Kesternich 7 cycles

# Quality Assurance

To show our commitment to being a trustworthy supplier, and provide the best product and services, **BDN Fasteners®** are manufactured and quality controlled following ISO standards, and is of course, ISO-9001:2015 certified.



## SGS Certification

BDN Fasteners BN3 Series screws are regularly sent to SGS for Kesternich & Spray Salt Test (1000 hrs) certification.

As part of our new quality assurance policy, which aims to provide high quality, third-party laboratory certified products – customers will now receive the most up-to-date corrosion resistance certifications upon request.



# QUALITY CONTROL IN PROCESS



## – PRE-PRODUCTION INSPECTION

Drawing Check  
Specific Conditions Check

## – HEADING / THREADING / THREADING / PINCH POINTING

Machinery Condition Check  
Molds and Dies Inspection and Setup

## – HEAT TREATMENT

Strictly controlled process  
Fully equipped with well maintained case depth and hardness testers.

## – SURFACE TREATMENT

Well equipped with salt-spray and corrosion test machinery.

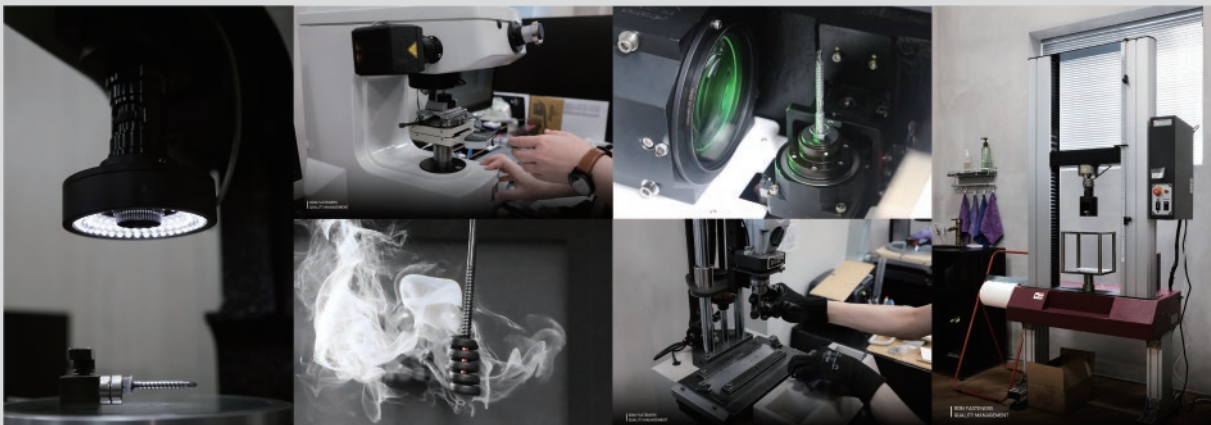
## – PRE-SHIPMENT INSPECTION

Manual Sorting and Rearrangement  
Optical Sorting (Optional)

## – FINAL INSPECTION

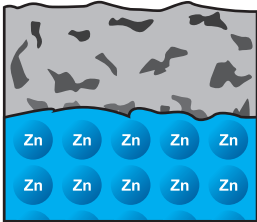
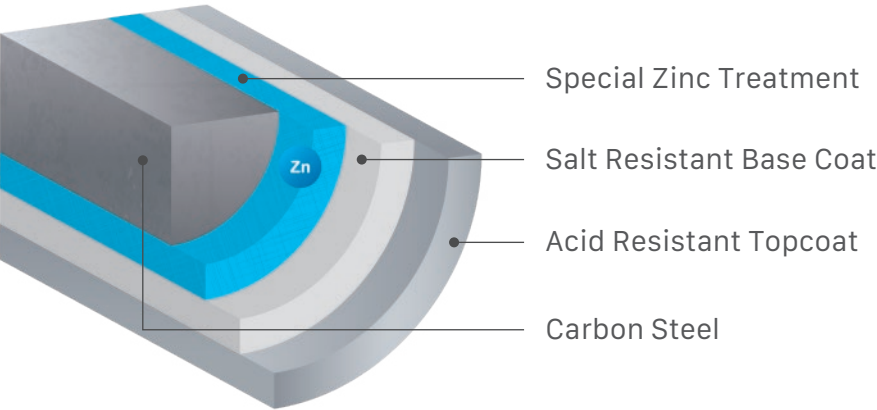
Dimensions  
Functionality  
Aesthetics

## – PRE-SHIPMENT SAMPLES SENT UPON REQUEST

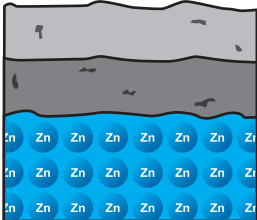


# Ruspert Coating

BN3™ Silver Ruspert Coating consists of multiple layers of specially formulated, corrosion resistant chemicals, comes with an impressive 40 year warranty, and can easily withstand 1000hrs of salt spray test (AS 2331.3.1-2001), and 15 Kesternich cycles (DIN50018 2.0 SFW).



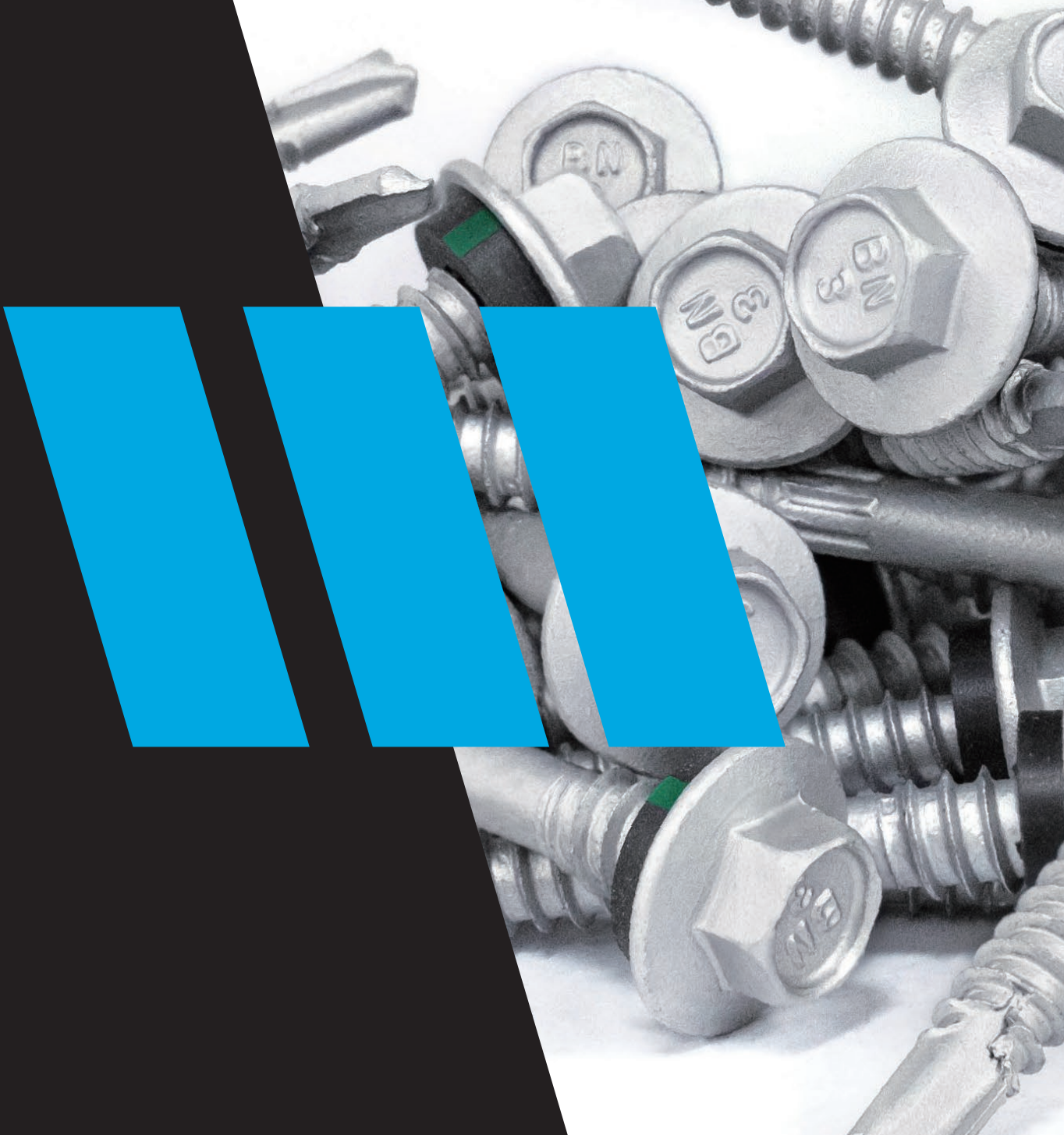
Conventional Coating



BDN® Ruspert Coating

**SGS** BDN Fasteners® BN3 Series screws are regularly sent to SGS for Kesternich & Spray Salt Test (1000 hrs) certification.





**KANTILAL & BROTHERS**

MANIBHUVAN, GOLWADNAKA, LN ROAD, VADODARA-390001

**M** +91-8460616032/9426990385 | **E** info@kbfasteners.in |

**W** [www.kbfasteners.in](http://www.kbfasteners.in)