

# Kantilal & Brothers

*Your Fastening Need Companion*

## LOCK BOLT CATALOGUE 2023



[www.kbfasteners.in](http://www.kbfasteners.in)

- Kantilal & Brothers (K&B) is a **fastening** solution provider . With more than **50** years experience service in the **Fastening World** we provide customers with problem-solving and cost-efficient fastening solutions. **K&B** meets this goal by offering complete **fastening solutions**.This **catalogue** include **different** lockbolt as well as installation equipments.
- To assist its customers in their assembly of quality products, Lock fasteners emphasizes stringent quality control standards in the manufacture of these industrial riveting systems. **Our Partners's** facilities have been recognized as compliant with various quality standards,including IATF 16949.
- Now the products is widely used in the truck cabs, trailers, recreational vehicles, solar , wind, heating industrial. We gain a very good reputation from industry-wide customers.
- We are keeping investing on nowadays techknowledge and upgrading the machine to support the new market applications and customer tailored solutions. Grip tight for the long haul.



ABOUT K&B [P01](#)

---

INDEX

---

Fasteners [P02](#)

---

Tools [P03](#)

---

Power unit [P04](#)

---

TWO-PIECE LOCKBOLT [P05](#)

---

Small Lockbolt  [P06](#)

---

Multi-grip  [P10](#)

---

StBolt  [P12](#)

---

STRUCTURAL BLIND RIVETS [P18](#)

---

BLB  [P19](#)

---

Mlock  [P22](#)

---

Dlock-Bulb  [P25](#)








---

Nlock  [P28](#)

---

Slock-Bulb  [P30](#)

---

Product Type	Dia.(mm)	Dia.(inch)	Nose Assembly	Riveting Tool
Small LockBolt 	4.8	3/16"	99-3003	<b>P48</b> 2480 <b>P32</b>
	6.4	1/4"	99-3006	<b>P49</b> 2480 <b>P32</b>
	7.9	5/16"	99-99-245	<b>P50</b> 2580L <b>P34</b>
	9.5	3/8"	99-100-245	<b>P51</b> 2580L <b>P34</b>
	Multi-grip	4.8	3/16"	99-3202
Multi-grip 	6.4	1/4"	99-3204	<b>P53</b> 2480 <b>P32</b>
	7.9	5/16"	99-1439	<b>P54</b> 2580L <b>P34</b>
	9.5	3/8"	99-1440	<b>P55</b> 2580L <b>P34</b>
	BLB	4.8	3/16"	99-1053
BLB 	6.4	1/4"	99-830-1	<b>P57</b> 2580L <b>P34</b>
	7.9	5/16"	99-769	<b>P58</b> 2580L <b>P34</b>
	9.5	3/8"	99-1272	<b>P59</b> 2580L <b>P34</b>
			99-3122	<b>P60</b> 2600 <b>P37</b>
	12.7	1/2"	99-5106	<b>P61</b> 2624-PT <b>P46</b>
			99-5101	<b>P62</b> 2620-PT <b>P40</b>
	15.9	5/8"	99-5102	<b>P63</b> 2624 <b>P43</b>
	19.1	3/4"	99-5103	<b>P64</b> 2624 <b>P43</b>
	Mlock 	4.8	3/16"	99-3303
6.4		1/4"	99-3305	<b>P66</b> 2480 <b>P32</b>
9.5		3/8"	99-3318	<b>P67</b> 2580L <b>P34</b>
Dlock-Bulb 	4.8	3/16"	99-3303	<b>P65</b> 2480 <b>P32</b>
	6.4	1/4"	99-3305	<b>P66</b> 2480 <b>P32</b>
	7.9	5/16"	99-3307	<b>P68</b> 2580L <b>P34</b>
Nlock 	4.8	3/16"	99-3203	<b>P69</b> 2480 <b>P32</b>
	6.4	1/4"	99-3305	<b>P66</b> 2480 <b>P32</b>
Slock-Bulb 	6.4	1/4"	99-3305	<b>P66</b> 2480 <b>P32</b>

POWER UNIT

[P70](#)

---

CONTACT US

[P72](#)

---



## KB Two-Piece LockBolt



### Small LockBolt

- Superior vibration resistance
- Durability
- Heavy-duty



### Multi-grip

- Vibration-resistant
- Reliable
- High installed values
- Wide grip range.



### StBolt

- No break-off pintail
- Corrosion resistant
- Installs with lightweight tooling



**Small Lockbolt** is a two-piece high-strength fastener. Through the extrusion of the locking tool, the collar deformation is firmly locked on the ring groove of the nail rod. The nail rod is thick, and the breakpoint is specially prepared, and the section is neat and smooth. Therefore, it has extremely high clamping force, tensile strength, shear strength and loosening resistance. Among the same type of fasteners, its mechanical performance parameters are quite excellent. It can replace traditional bolts, even welding. At the same time, because the shareable collar and nail rod are separated, the user cost is reduced.



- Excellent mechanical performance
- Permanent anti-loosening
- Section is flush

Product diameter: 4.8mm, 6.4mm, 7.9mm, 9.5mm (3/16", 1/4", 5/16", 3/8")

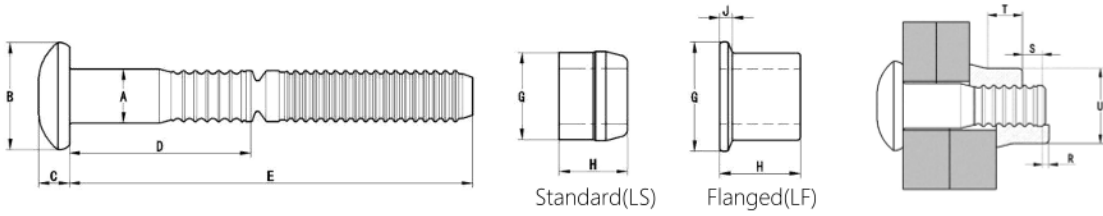
Product material: carbon steel

Pin head type: button head

Collar head type: standard, flanged

For other size, material, head style, please contact us.

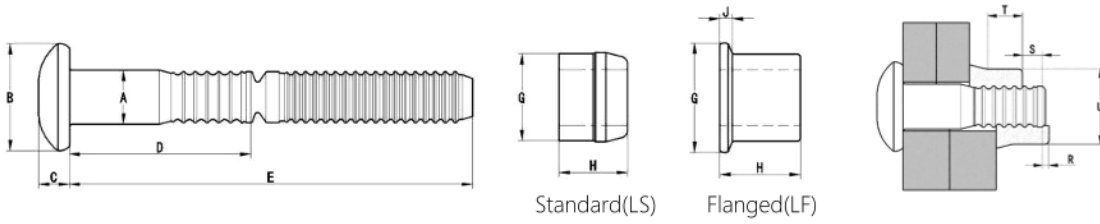




Collar: Standard / Flanged head style, steel with Zinc Plating  
 Pin: Button head style, steel with Zinc Plating

Dia. nom. mm	Grip Range		Hole Dia.		A	B	C	D	E	G	H	J	R	S	T	U	Clamp	Tensile	Shear	Pin	Collar	
	min.	max.	min.	max.	max.	max.	max.	max.	max.	max.	max.	nom.	max.	max.	min.	max.	min.	min.	min.	Part No	Standard	Flanged
<b>4.8</b> <b>(3/16")</b>	1.6	4.8	5.0	5.2	5.0	9.9	3.2	10.6	39.1	8.1	6.2	—	2.0	3.2	4.4	7.0	4.6	7.3	7.7	LB-R6-2	LS-R6	—
	3.2	6.4						12.2	40.7											LB-R6-3		
	4.8	7.9						13.7	42.3											LB-R6-4		
	6.4	9.5						15.3	43.9											LB-R6-5		
	7.9	11.1						16.9	45.4											LB-R6-6		
	9.5	12.7						18.5	47.0											LB-R6-7		
	11.1	14.3						20.1	48.6											LB-R6-8		
	12.7	15.9						21.7	50.2											LB-R6-9		
	14.3	17.5						23.3	51.8											LB-R6-10		
	15.9	19.1						24.9	53.4											LB-R6-11		
	17.5	20.6						26.4	55.0	10.0	7.4	1.6								LB-R6-12	—	LF-R6
	19.1	22.2						28.0	56.6											LB-R6-13		
	20.6	23.8						29.6	58.1											LB-R6-14		
	22.2	25.4						31.2	59.7											LB-R6-15		
	23.8	27.0						32.8	61.3											LB-R6-16		
	25.4	28.6						34.4	62.9											LB-R6-17		
	27.0	30.2						36.0	64.5											LB-R6-18		
	28.6	31.8						37.6	66.1											LB-R6-19		
	30.2	33.3						39.1	67.7											LB-R6-20		
	31.8	34.9						40.7	69.3											LB-R6-21		
	<b>6.4</b> <b>(1/4")</b>	1.6	4.8	6.6	6.8	6.6	13.2	3.9	12.9	42.0	10.6	8.1	—	2.0	4.0	6.4	9.3	8.0	13.3	13.6	LB-R8-2	LS-R8
3.2		6.4						14.5	43.6											LB-R8-3		
4.8		7.9						16.1	45.2											LB-R8-4		
6.4		9.5						17.6	46.8											LB-R8-5		
7.9		11.1						19.2	48.4											LB-R8-6		
9.5		12.7						20.8	50.0											LB-R8-7		
11.1		14.3						22.4	51.6											LB-R8-8		
12.7		15.9						24.0	53.2											LB-R8-9		
14.3		17.5						25.6	54.7											LB-R8-10		
15.9		19.1						27.2	56.3											LB-R8-11		
17.5		20.6						28.8	57.9											LB-R8-12		
19.1		22.2						30.3	59.5											LB-R8-13		
20.6		23.8						31.9	61.1											LB-R8-14		
22.2		25.4						33.5	62.7											LB-R8-15		
23.8		27.0						35.1	64.3											LB-R8-16		
25.4	28.6						36.7	65.9											LB-R8-17			





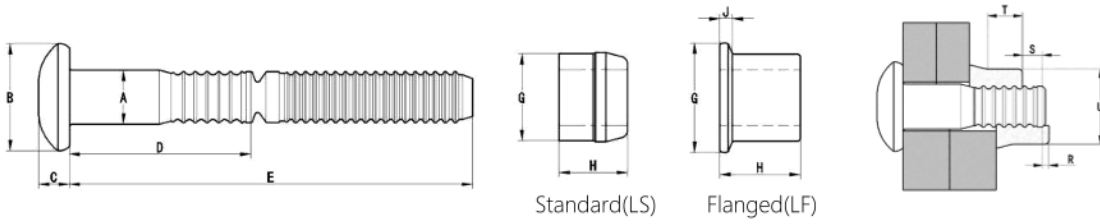
Standard(LS)

Flanged(LF)

Collar: Standard / Flanged head style, steel with Zinc Plating  
 Pin: Button head style, steel with Zinc Plating

Dia. nom. mm	Grip Range		Hole Dia.		A	B	C	D	E	G	H	J	R	S	T	U	Clamp	Tensile	Shear	Pin	Collar	
	min.	max.	min.	max.	max.	max.	max.	max.	max.	max.	max.	nom.	max.	max.	min.	max.	min.	min.	min.	Part No	Standard	Flanged
<b>6.4</b> <b>(1/4")</b>	27.0	30.2	6.6	6.8	6.6	13.2	3.9	38.3	67.4	13.2	9.6	1.6	2.0	4.0	6.4	9.3	8.0	13.3	13.6	LB-R8-18	—	LF-R8
	28.6	31.8						39.9	69.0											LB-R8-19		
	30.2	33.3						41.5	70.6											LB-R8-20		
	31.8	34.9						43.0	72.2											LB-R8-21		
	33.3	36.5						44.6	73.8											LB-R8-22		
	34.9	38.1						46.2	75.4											LB-R8-23		
	36.5	39.7						47.8	77.0											LB-R8-24		
	38.1	41.3						49.4	78.6											LB-R8-25		
	39.7	42.9						51.0	80.1											LB-R8-26		
	41.3	44.5						52.6	81.7											LB-R8-27		
	42.9	46.0						54.2	83.3											LB-R8-28		
	44.5	47.6						55.7	84.9											LB-R8-29		
46.0	49.2						57.3	86.5											LB-R8-30			
47.6	50.8						58.9	88.1											LB-R8-31			
<b>7.9</b> <b>(5/16")</b>	3.2	9.5	8.2	8.4	8.2	16.5	5.1	19.7	51.9	12.8	9.5	—	2.0	5.6	7.1	11.5	12.5	20.5	21.0	LB-R10-4	LS-R10	—
	6.4	12.7						22.9	55.1											LB-R10-6		
	9.5	15.9						26.1	58.3											LB-R10-8		
	12.7	19.1						29.2	61.5											LB-R10-10		
	15.9	22.2						32.4	64.6											LB-R10-12		
	19.1	25.4						35.6	67.8											LB-R10-14		
	22.2	28.6						38.8	71.0											LB-R10-16		
	25.4	31.8						41.9	74.2											LB-R10-18		
	28.6	34.9						45.1	77.3											LB-R10-20		
	31.8	38.1						48.3	80.5											LB-R10-22		
	34.9	41.3						51.5	83	16.4	10.8	2.0								LB-R10-24	—	LF-R10
	38.1	44.5						54.6	86.9											LB-R10-26		
	41.3	47.6						57.8	90											LB-R10-28		
	44.5	50.8						61	93.2											LB-R10-30		
47.6	54						64.2	96.4											LB-R10-32			





Standard(LS)

Flanged(LF)

Collar: Standard / Flanged head style, steel with Zinc Plating  
 Pin: Button head style, steel with Zinc Plating

Dia. nom.	Grip Range		Hole Dia.		A	B	C	D	E	G	H	J	R	S	T	U	Clamp	Tensile	Shear	Pin	Collar	
	min.	max.	min.	max.	max.	max.	max.	max.	max.	max.	max.	nom.	max.	max.	min.	max.	min.	min.	min.	Part No	Standard	Flanged
mm	mm	mm	mm	mm	mm	mm	mm	mm	mm	mm	mm	mm	mm	mm	mm	mm	KN	KN	KN			
9.5 (3/8")	3.2	9.5	9.8	10	9.8	19.8	6.3	21.7	57.3	15.4	11.9	—	3.2	7.1	8.7	13.3	17.9	28.9	30.4	LB-R12-4	LS-R12	—
	6.4	12.7						24.8	60.5											LB-R12-6		
	9.5	15.9						28	63.7											LB-R12-8		
	12.7	19.1						31.2	66.8											LB-R12-10		
	15.9	22.2						34.4	70											LB-R12-12		
	19.1	25.4						37.5	73.2											LB-R12-14		
	22.2	28.6						40.7	76.4											LB-R12-16		
	25.4	31.8						43.9	79.5											LB-R12-18		
	28.6	34.9						47.1	82.7	19.7	13.5	2.4								LB-R12-20	—	LF-R12
	31.8	38.1						50.2	85.9											LB-R12-22		
	34.9	41.3						53.4	89.1											LB-R12-24		
	38.1	44.5						56.6	92.2											LB-R12-26		
	41.3	47.6						59.8	95.4											LB-R12-28		
	44.5	50.8						62.9	98.6											LB-R12-30		
	47.6	54						66.1	101.8											LB-R12-32		

## INSTALLATION TOOL

Product Type	Product Diameter	Huck Tooling	Tooling Type
KB Small LockBolt	4.8mm (3/16")	2480	Hydraulic
		2581	Hydraulic
		BV4500-118	Battery
	6.4mm (1/4")	2480	Hydraulic
		2581	Hydraulic
		BV4500-118	Battery
	7.9mm (5/16")	2581	Hydraulic
	9.5mm (3/8")	2581	Hydraulic

\*HUCK is a registered trademark of Howmet Fastening Systems.

**Note:** Part numbers listed reflect typical models. Additional head style, material, diameter and grip range may be available. Please contact us for further information.



**Multi-grip** is a two-piece fastener. It has high clamping force, tensile strength, shear strength and loosening resistance. The grip range is very large. Among the fasteners of the same type, the number of models within the same fastening range is the least. On average, each model can replace about 10 similar fastener models with fixed breakpoints. Thus, it can greatly reduce the number of user models, reduce inventory and capital, and reduce the difficulty of user identification and carrying. And because the collar and pin rod are separated, this further reduces the user's cost as well.



- High mechanical performance
- Strong anti-loosening performance
- Large grip range
- Low use cost

Product diameter: 4.8mm, 6.4mm, 7.9mm, 9.5mm (3/16", 1/4", 5/16", 3/8")

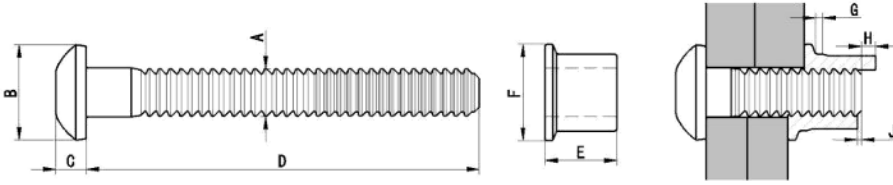
Product material: steel

Pin head type: button

Collar head type: standard, flanged

For other size, material, head style, please contact us.





Collar: Flanged head style, steel with Zinc Plating  
 Pin: Button head style, steel with Zinc Plating

Dia. nom. mm	Grip Range		Hole Dia.		A	B	C	D	E	F	G	H	J	Clamp	Tensile	Shear	Pin Part No	Collar Part No
	min.	max.	min.	max.	max.	max.	max.	max.	max.	max.	max.	max.	max.	min.	min.	min.		
<b>4.8</b> <b>(3/16")</b>	1.6	15.9	4.9	5.2	4.8	10.0	3.2	46.3	7.4	10.0	1.3	3.2	0.8	2.4	4.0	3.3	MB-R6-10	MF-R6
	7.9	31.8						51.9									MB-R6-20	
<b>6.4</b> <b>(1/4")</b>	1.6	15.9	6.5	6.8	6.4	13.2	3.9	50.8	9.9	13.2	2.5	4.8	2.4	4.2	7.2	5.3	MB-R8-10	MF-R8
	7.9	31.8						65.9									MB-R8-20	
<b>7.9</b> <b>(5/16")</b>	3.2	19.1	8.0	8.3	7.9	16.5	5.1	60.3	11.5	16.4	2.5	6.4	3.6	7.1	11.1	9.8	MB-R10-12	MF-R10
	15.9	34.9						73.0									MB-R10-22	
<b>9.5</b> <b>(3/8")</b>	3.2	22.2	9.7	10.0	9.6	19.8	6.3	74.6	13.2	19.6	2.5	6.4	4.4	10.7	17.8	13.3	MB-R12-14	MF-R12
	20.6	41.3						89.8									MB-R12-26	

### INSTALLATION TOOL

Product Type	Product Diameter	Huck* Tooling	Tooling Type
KB Multi-grip	4.8mm (3/16")	2480	Hydraulic
		2581	Hydraulic
		BV4500-118	Battery
	6.4mm (1/4")	2480	Hydraulic
		2581	Hydraulic
		BV4500-118	Battery
	7.9mm (5/16")	2581	Hydraulic
	9.5mm (3/8")	2581	Hydraulic

\*HUCK is a registered trademark of Howmet Fastening Systems.

**Note:** Part numbers listed reflect typical models. Additional head style, material, diameter and grip range may be available. Please contact us for further information.

Compared with the traditional ring groove rivet, the **Short Tail Bolt** is faster, safer and more environmentally friendly. It retains its looseness and has high strength and ripening properties. There is no impact force and noise when the nail is broken during installation. After installation, inspection can be realized by visual inspection. And, if needed, the nail rod can be reused. It can be widely used in rail transit, truck, construction machinery, bridge, solar energy, wind energy and so on.



- No pin breakage, more resistant to corrosion
- Easy installation, no impulsive force
- Material saving, more environmentally friendly

Product diameter:

6.4mm, 7.9mm, 9.5mm, 12.7mm, 15.9mm, 19.1mm, 22.1mm, 25.4mm

(1/4", 5/16", 3/8", 1/2", 5/8", 3/4", 7/8", 1")

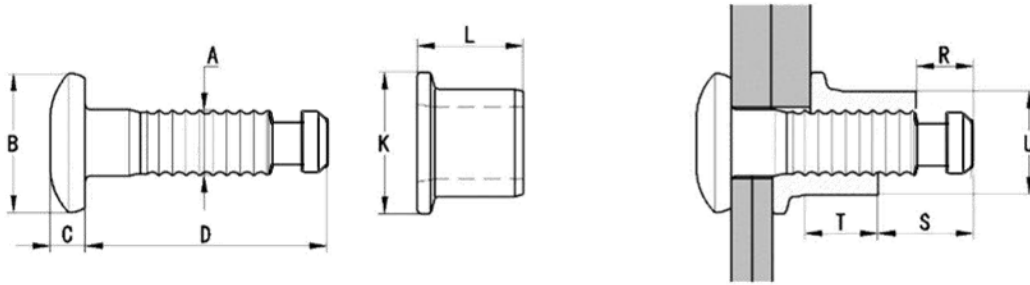
12mm, 14mm, 16mm, 20mm

Product material: Aluminum, Steel, Stainless steel

Head Style: Round, Flanged, Countersunk

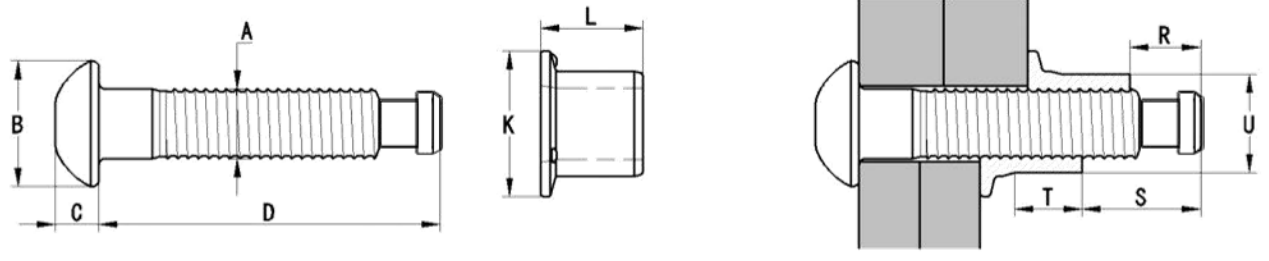
For other size, material, head style, please contact us.





Collar: Stanard head style, steel with Zinc Plating  
 Pin: Round head style, steel with none

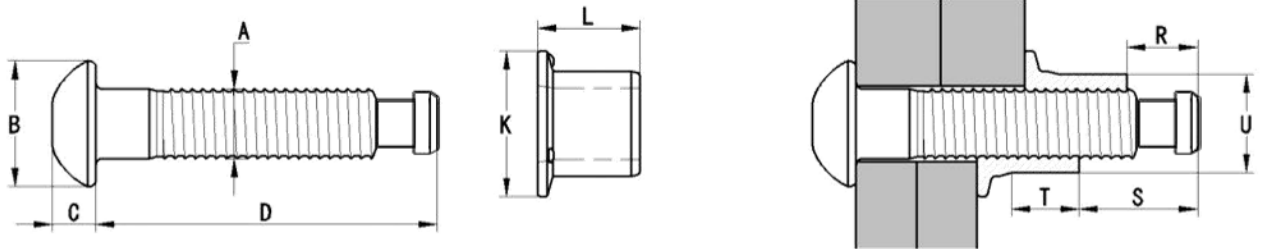
Dia.	Grip Range		Hole Dia.		A	B	C	D	L	K	U	T	R	S	Clamp	Shear	Tensile	Pin	Collar
	nom.	min.	max.	min.	max.	max.	max.	max.	max.	max.	max.	min.	min.	max.	min.	min.	min.	Part No	Part No
mm	mm	mm	mm	mm	mm	mm	mm	mm	mm	mm	mm	mm	mm	mm	kN	kN	kN		
<b>6.4</b> (3/16")	0.0	4.7	6.5	7.1	6.4	13.6	3.6	20.7	9.7	13.1	9.2	6.6	5.7	13.6	8.0	13.3	13.6	TR-R8-1GA	TC-R8GAH
	0.0	6.4						22.2										TR-R8-2GA	
	1.6	7.9						23.8										TR-R8-3GA	
	3.2	9.5						25.4										TR-R8-4GA	
	4.7	11.1						27.0										TR-R8-5GA	
	6.4	12.7						28.6										TR-R8-6GA	
	9.5	15.9						30.2										TR-R8-8GA	
	12.7	19.1						31.8										TR-R8-10GA	
	15.9	22.2						33.3										TR-R8-12GA	
<b>7.9</b> (1/4")	3.2	9.5	8.1	9.1	8.0	17.3	4.4	29.4	12.1	16.3	11.6	8.3	7.1	15.2	12.5	20.5	21.0	TR-R10-4GA	TC-R10GAH
	6.4	12.7						32.5										TR-R10-6GA	
	9.5	15.9						35.7										TR-R10-8GA	
	12.7	19.1						38.9										TR-R10-10GA	
	15.9	22.2						42.1										TR-R10-12GA	
	19.1	25.4						45.2										TR-R10-14GA	
	22.2	28.6						48.4										TR-R10-16GA	
	25.4	31.8						51.6										TR-R10-18GA	
	28.6	34.9						54.8										TR-R10-20GA	
<b>9.5</b> (3/8")	3.2	9.5	9.6	10.7	9.5	20.8	5.3	33.3	14.4	19.6	13.8	9.9	8.8	16.9	17.9	28.9	30.4	TR-R12-4GA	TC-R12GAH
	6.4	12.7						36.5										TR-R12-6GA	
	9.5	15.9						39.6										TR-R12-8GA	
	12.7	19.1						42.8										TR-R12-10GA	
	15.9	22.2						46.0										TR-R12-12GA	
	19.1	25.4						49.1										TR-R12-14GA	
	22.2	28.6						52.3										TR-R12-16GA	
	25.4	31.8						55.5										TR-R12-18GA	
	28.6	34.9						58.7										TR-R12-20GA	



Collar: Flanged head style, steel with Zinc Plating  
 Pin: Round head style, steel with none

Dia. nom. mm	Grip Range		Hole Dia.		A	B	C	D	L	K	U	T	R	S	Clamp	Shear	Tensile	Pin Part No	Collar Part No
	min.	max.	min.	max.	max.	max.	max.	max.	max.	max.	max.	min.	min.	max.	min.	min.	min.		
12.7 (1/2")	6.4	15.7	13.0	14.3	12.7	24.2	8.5	48.3	19.0	28.0	18.4	14.4	10.9	23.7	53.6	75.8	62.3	TR-R16-4	TC-R16GAH
	12.7	22.1						54.6										TR-R16-8	
	19.1	28.4						61.0										TR-R16-12	
	25.4	34.8						67.3										TR-R16-16	
	31.8	41.1						73.7										TR-R16-20	
	38.1	47.5						80.0										TR-R16-24	
	44.5	53.8						86.4										TR-R16-28	
	50.8	60.2						92.7										TR-R16-32	
	57.2	66.5						99.1										TR-R16-36	
63.5	72.9						105.4										TR-R16-40		
15.9 (5/8")	6.4	15.7	16.2	17.5	15.9	30.4	11.0	52.6	23.7	35.0	23.1	18.0	10.9	24.4	85.4	120.5	100.1	TR-R20-4	TC-R20GAH
	12.7	22.1						58.9										TR-R20-8	
	19.1	28.4						65.3										TR-R20-12	
	25.4	34.8						71.6										TR-R20-16	
	31.8	41.1						78.0										TR-R20-20	
	38.1	47.5						84.3										TR-R20-24	
	44.5	53.8						90.7										TR-R20-28	
	50.8	60.2						97.0										TR-R20-32	
	57.2	66.5						103.4										TR-R20-36	
63.5	72.9						109.7										TR-R20-40		
19.1 (3/4")	6.4	15.7	19.4	20.6	19.1	36.6	13.5	61.8	28.3	41.0	27.7	21.6	13.6	27.9	126.3	178.4	144.1	TR-R24-4	TC-R24GAH
	12.7	22.1						68.1										TR-R24-8	
	19.1	28.4						74.5										TR-R24-12	
	25.4	34.8						80.8										TR-R24-16	
	31.8	41.1						87.2										TR-R24-20	
	38.1	47.5						93.5										TR-R24-24	
	44.5	53.8						99.9										TR-R24-28	
	50.8	60.2						106.2										TR-R24-32	
	57.2	66.5						112.6										TR-R24-36	
63.5	72.9						118.9										TR-R24-40		

Note: Part numbers listed reflect typical models. Additional head style, material, diameter and grip range may be available. Please contact us for further information.



Collar: Flanged head style, steel with Zinc Plating

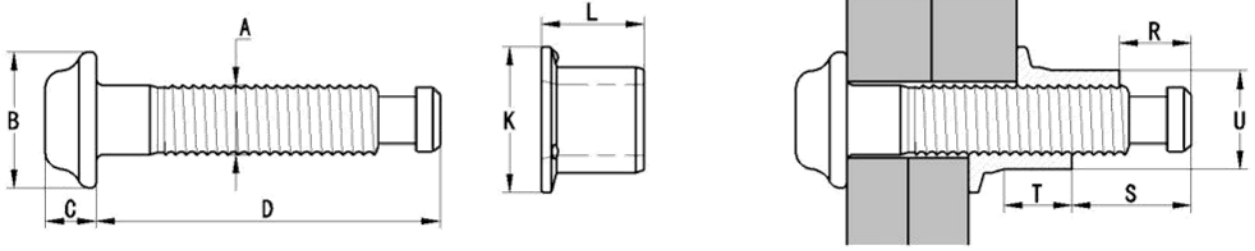
Pin: Round head style, steel with none

Dia. nom.	Grip Range		Hole Dia.		A	B	C	D	L	K	U	T	R	S	Clamp	Shear	Tensile	Pin Part No	Collar Part No
	min.	max.	min.	max.															
mm	mm	mm	mm	mm	mm	mm	mm	mm	mm	mm	mm	mm	mm	mm	kN	kN	kN		
<b>22.1</b> (7/8")	6.4	15.7	22.6	23.8	22.1	42.3	14.9	68.7	33.0	48.0	32.0	25.1	15.2	30.3	174.6	246.7	193.1	TR-R28-4	TC-R28GAH
	12.7	22.1						75.1										TR-R28-8	
	19.1	28.4						81.4										TR-R28-12	
	25.4	34.8						87.8										TR-R28-16	
	31.8	41.1						94.1										TR-R28-20	
	38.1	47.5						100.5										TR-R28-24	
	44.5	53.8						106.8										TR-R28-28	
	50.8	60.2						113.2										TR-R28-32	
	57.2	66.5						119.5										TR-R28-36	
	63.5	72.9						125.9										TR-R28-40	
	69.9	79.2						132.2										TR-R28-44	
	76.2	85.6						138.6										TR-R28-48	
	82.6	91.9						144.9										TR-R28-52	
	88.9	98.3						151.3										TR-R28-56	
	95.3	104.6						157.6										TR-R28-60	
	101.6	111.0						164.0										TR-R28-64	
108.0	117.3						170.3										TR-R28-68		
114.3	123.7						176.7										TR-R28-72		
<b>25.4</b> (1")	6.4	15.7	26.0	28.6	25.4	50.8	16.5	76.2	37.8	54.0	36.9	29.2	17.4	33.2	229.1	323.4	251.3	TR-R32-4	TC-R32GAH
	12.7	22.1						82.6										TR-R32-8	
	19.1	28.4						88.9										TR-R32-12	
	25.4	34.8						95.3										TR-R32-16	
	31.8	41.1						101.6										TR-R32-20	
	38.1	47.5						108.0										TR-R32-24	
	44.5	53.8						114.3										TR-R32-28	
	50.8	60.2						120.7										TR-R32-32	
	57.2	66.5						127.0										TR-R32-36	
	63.5	72.9						133.4										TR-R32-40	
	69.9	79.2						139.7										TR-R32-44	
	76.2	85.6						146.1										TR-R32-48	
	82.6	91.9						152.4										TR-R32-52	
	88.9	98.3						158.8										TR-R32-56	
	95.3	104.6						165.1										TR-R32-60	
	101.6	111.0						171.8										TR-R32-64	
108.0	117.3						177.8										TR-R32-68		
114.3	123.7						184.2										TR-R32-72		

**Note:** Part numbers listed reflect typical models. Additional head style, material, diameter and grip range may be available. Please contact us for further information.



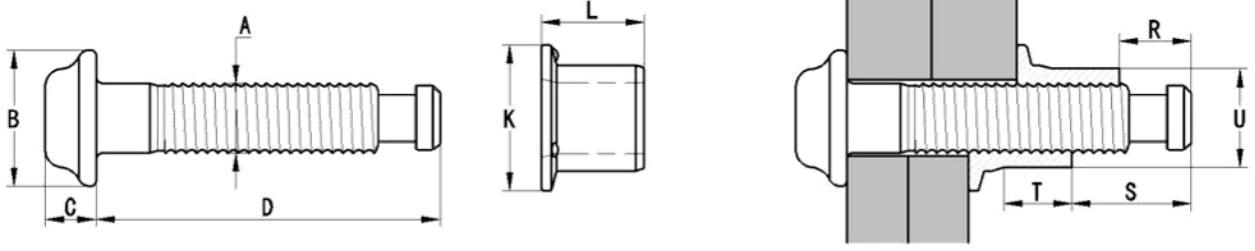




Collar: Flanged head style, steel with Zinc Plating  
 Pin: Flanged head style, steel with none

Dia. nom.	Grip Range		Hole Dia.		A	B	C	D	L	K	U	T	R	S	Clamp	Shear	Tensile	Pin Part No	Collar Part No
	min.	max.	min.	max.	max.	max.	max.	max.	max.	max.	max.	min.	min.	max.	min.	min.	min.		
mm	mm	mm	mm	mm	mm	mm	mm	mm	mm	mm	mm	mm	mm	mm	mm	mm	mm	mm	mm
<b>12</b>	5	15	12.3	13.5	12	25.4	9.6	46.1	17.9	25.4	17.3	13.1	11.1	23.7	64.9	87.7	65.4	MTF-R12-10	MTC-R12GAH
	10	20						51.1										MTF-R12-15	
	15	25						56.1										MTF-R12-20	
	20	30						61.1										MTF-R12-25	
	25	35						66.1										MTF-R12-30	
	30	40						71.1										MTF-R12-35	
	35	45						76.1										MTF-R12-40	
	40	50						81.1										MTF-R12-45	
	45	55						86.1										MTF-R12-50	
	50	60						91.1										MTF-R12-55	
	55	65						96.1										MTF-R12-60	
	60	70						101.1										MTF-R12-65	
	65	75						106.1										MTF-R12-70	
	70	80						111.1										MTF-R12-75	
75	85						116.1										MTF-R12-80		
<b>14</b>	5	15	14.3	15.5	14	30	11.5	49	21.5	30	20.2	15.5	11.2	24.6	87	120	94	MTF-R14-10	MTC-R14GAH
	10	20						54										MTF-R14-15	
	15	25						59										MTF-R14-20	
	20	30						64										MTF-R14-25	
	25	35						69										MTF-R14-30	
	30	40						74										MTF-R14-35	
	35	45						79										MTF-R14-40	
	40	50						84										MTF-R14-45	
	45	55						89										MTF-R14-50	
	50	60						94										MTF-R14-55	
	55	65						99										MTF-R14-60	
	60	70						104										MTF-R14-65	
	65	75						109										MTF-R14-70	
	70	80						114										MTF-R14-75	
75	85						119										MTF-R14-80		
<b>16</b>	5	15	16.5	17.5	16	33.8	12.2	52	23.7	33.8	23.1	17.4	11.2	25.3	116	163	122	MTF-R16-10	MTC-R16GAH
	10	20						57										MTF-R16-15	
	15	25						62										MTF-R16-20	
	20	30						67										MTF-R16-25	
	25	35						72										MTF-R16-30	
	30	40						77										MTF-R16-35	
	35	45						82										MTF-R16-40	
40	50						87										MTF-R16-45		

**Note:** Part numbers listed reflect typical models. Additional head style, material, diameter and grip range may be available. Please contact us for further information.



Collar: Flanged head style, steel with Zinc Plating  
 Pin: Flanged head style, steel with none

Dia.	Grip Range		Hole Dia.		A	B	C	D	L	K	U	T	R	S	Clamp	Shear	Tensile	Pin	Collar
	nom.	min.	max.	min.	max.	max.	max.	max.	max.	max.	max.	min.	min.	max.	min.	min.	min.	Part No	Part No
mm	mm	mm	mm	mm	mm	mm	mm	mm	mm	mm	mm	mm	mm	mm	kN	kN	kN		
16	45	55	16.5	17.5	16	33.8	12.2	92	23.7	33.8	23.1	17.4	11.2	25.3	116	163	122	MTF-R16-50	MTC-R16GAH
	50	60						97										MTF-R16-55	
	55	65						102										MTF-R16-60	
	60	70						107										MTF-R16-65	
	65	75						112										MTF-R16-70	
	70	80						117										MTF-R16-75	
	75	85						122										MTF-R16-80	
20	5	15	20.5	22	20	42.4	16	60.7	29.6	42.4	28.8	21.8	14	26.7	181	255	191	MTF-R20-10	MTC-R20GAH
	10	20						65.7										MTF-R20-15	
	15	25						70.7										MTF-R20-20	
	20	30						75.7										MTF-R20-25	
	25	35						80.7										MTF-R20-30	
	30	40						85.7										MTF-R20-35	
	35	45						90.7										MTF-R20-40	
	40	50						95.7										MTF-R20-45	
	45	55						100.7										MTF-R20-50	
	50	60						105.7										MTF-R20-55	
	55	65						110.7										MTF-R20-60	
	60	70						115.7										MTF-R20-65	
	65	75						120.7										MTF-R20-70	
	70	80						125.7										MTF-R20-75	
75	85						130.7										MTF-R20-80		

### INSTALLATION TOOL

Product Type	Product Diameter	Huck* Tooling	Tooling Type
KB StBolt	6.4mm (1/4")	BV4500-118	Battery
		SFBTT8	Hydraulic
	7.9mm (5/16"), 9.5mm (3/8")	SFBTT8	Hydraulic
	12.7mm (1/2"), 15.9mm (5/8"), 12mm, 14mm, 16mm	SF20	Hydraulic
	19.1mm (3/4"), 20mm	SF32	Hydraulic
	22.1mm (7/8")	SF46	Hydraulic
25.4mm (1")	SF46	Hydraulic	

\*HUCK is a registered trademark of Howmet Fastening Systems.

**Note:** Part numbers listed reflect typical models. Additional head style, material, diameter and grip range may be available. Please contact us for further information.



## KB Blind Rivet



### BLB

- Blind Lock Bolt
- Heavy duty
- High resistance
- Blind-side install



### Mlock

- Hole-filling fastener
- Excellent gap pull-out
- Moisture resistance.
- Solid circle lock



### Dlock-Bulb

- Bulbing fastener
- High shear strength
- Thin materials and/or oversized holes



### Nlock

- Wide grip range
- Both sides locking
- Max joint integrity



### Slock-Bulb

- Automated, high-speed assemblies.
- Preventing pull-through.



The BLB is a high strength, vibration-proof **Blind Lock Bolt**. It is suitable for heavy-duty connection scenarios. Especially in the box structure can only be operated blind side. And, compared with the traditional bolt and welding, its installation will not produce torque, there is no spark, has the characteristics of safety, simple. Therefore, it is widely used in rail transit, construction machinery, new energy and other scenarios.



- High strength, vibration-proof, can replace bolt or welding
- Can single blind operation, suitable for a variety of scenarios
- Installation is more simple, no torque, no sparks

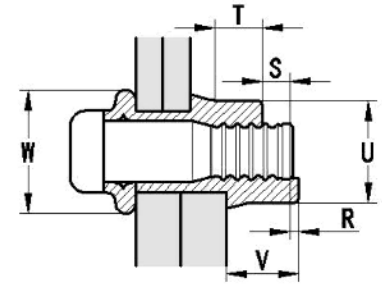
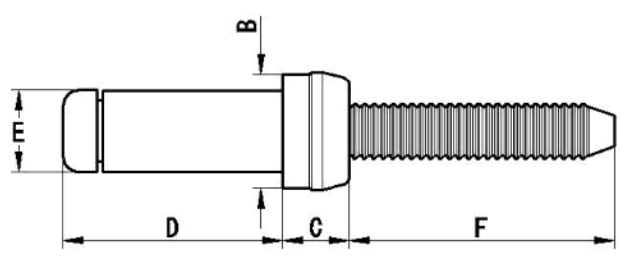
Product Diameter:

4.8mm, 6.4mm, 7.9mm, 9.5mm , 12.7mm, 15.9mm, 19.1mm  
(3/16", 1/4", 5/16", 3/8", 1/2", 5/8", 3/4")

Product Material: Steel

For other size, material, head style, please contact us.

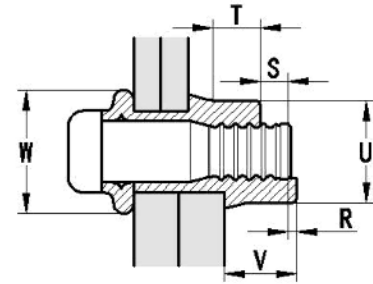
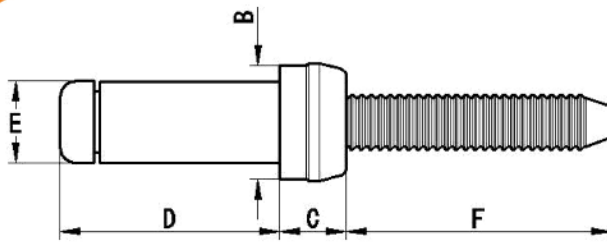




Sleeve: steel with Zinc Plating  
Pin: steel with none

Dia. nom.	Grip Range		Hole Dia.		B	C	D	E	F	R	S	T	U	V	W	Shear min.	Tensile min.	Part No
	min.	max.	min.	max.														
<b>4.8</b> (3/16")	2.4	4.0	5.3	5.6	7.2	4.2	12.7	5.2	19.9	0.8	2.4	2.8	6.6	4.5	7.8	12.5	8.0	B-R6-2
		4.0	5.6				14.3											B-R6-3
		5.6	7.2				15.9											B-R6-4
		7.2	8.8				17.5											B-R6-5
		8.8	10.3				19.1											B-R6-6
		10.3	11.9				20.6											B-R6-7
		11.9	13.5				22.2											B-R6-8
		13.5	15.1				23.8											B-R6-9
		15.1	16.7				25.4											B-R6-10
		16.7	18.3				27.0											B-R6-11
	<b>6.4</b> (1/4")	2.4	4.0	7.0	7.4	9.7	5.6	15.8	7.0	25.8	0.8	2.4	3.6	8.8	5.9	10.3	22.7	14.5
		4.0	5.6				17.4											B-R8-3
		5.6	7.2				19.0											B-R8-4
		7.2	8.8				20.5											B-R8-5
		8.8	10.3				22.1											B-R8-6
		10.3	11.9				23.7											B-R8-7
		11.9	13.5				25.3											B-R8-8
		13.5	15.1				26.9											B-R8-9
		15.1	16.7				28.5											B-R8-10
		16.7	18.3				30.1											B-R8-11
		18.3	19.8				31.7											B-R8-12
<b>7.9</b> (5/16")		4.8	8.0	8.8	9.4	12.2	7.1	22.3	8.8	32.6	1.2	4.4	4.8	11	7.7	13.1	35.8	23.1
		8.0	11.1				25.4											B-R10-6
		11.1	14.3				28.6											B-R10-8
		14.3	17.5				31.8											B-R10-10
		17.5	20.7				35.0											B-R10-12
		20.7	23.8				38.1											B-R10-14
		23.8	27.0				41.3											B-R10-16
		27.0	30.2				46.9											B-R10-18
		30.2	33.4				50.0											B-R10-20
<b>9.5</b> (3/8")	4.8	8.0	10.5	11.1	14.4	8.3	24.6	10.4	35.7	1.2	4.4	5.2	12.9	9.1	15.4	49.4	32.3	B-R12-4
		8.0	11.1				27.8											B-R12-6
		11.1	14.3				31.0											B-R12-8
		14.3	17.5				34.1											B-R12-10
		17.5	20.7				37.3											B-R12-12
		20.7	23.8				40.4											B-R12-14
		23.8	27.0				43.7											B-R12-16
		27.0	30.2				46.9											B-R12-18
		30.2	33.4				51.1											B-R12-20

**Note:** Part numbers listed reflect typical models. Additional head style, material, diameter and grip range may be available. Please contact us for further information.



Sleeve: steel with Zinc Plating  
Pin: steel with none

Dia. nom. mm	Grip Range		Hole Dia.		B	C	D	E	F	R	S	T	U	V	W	Shear	Tensile	Part No
	min.	max.	min.	max.	max.	max.	max.	max.	nom.	max.	max.	min.	max.	nom.	nom.	min.	min.	
	mm	mm	mm	mm	mm	mm	mm	mm	mm	mm	mm	mm	mm	mm	mm	kN	kN	
<b>12.7</b> <b>(1/2")</b>	6.4	9.5	13.9	14.8	19.1	11.1	32.2	13.9	38.9	1.6	4.4	7.5	17.4	12.1	21.4	89.6	57.8	B-R16-4
	9.5	12.7					35.4											B-R16-6
	12.7	15.9					38.1											B-R16-8
	15.9	19.1					41.7											B-R16-10
	19.1	22.3					44.9											B-R16-12
	22.3	25.4					48.0											B-R16-14
	25.4	28.6					51.2											B-R16-16
	28.6	31.8					54.4											B-R16-18
	31.8	35.0					57.6											B-R16-20
	35.0	38.1					60.7											B-R16-22
38.1	41.3					63.9											B-R16-24	
<b>15.9</b> <b>(5/8")</b>	6.4	12.7	17.5	18.5	23.9	13.8	38.9	17.3	43.4	2.0	8.0	10.3	22.2	15.1	27.4	126.8	91.2	B-R20-4
	12.7	19.1					45.2											B-R20-8
	19.1	25.4					51.6											B-R20-12
	25.4	31.8					57.9											B-R20-16
	31.8	38.1					64.3											B-R20-20
<b>19.1</b> <b>(3/4")</b>	6.4	12.7	21.0	22.2	28.6	16.6	44.5	20.8	54.6	2.0	8.0	11.1	26.1	18.3	32.2	200.6	129.4	B-R24-4
	12.7	19.1					50.8											B-R24-8
	19.1	25.4					57.2											B-R24-12
	25.4	31.8					63.5											B-R24-16

### INSTALLATION TOOL

Product Type	Product Diameter	Huck* Tooling	Tooling Type
KB BLB	4.8mm (3/16")	2480	Hydraulic
		2581	Hydraulic
		BV4500-118	Battery
	6.4mm (1/4")	2581	Hydraulic
	7.9mm (5/16")	2581	Hydraulic
		2600	Hydraulic
	9.5mm (3/8")	2581	Hydraulic
		2600	Hydraulic
	12.7mm (1/2")	2624	Hydraulic
	15.9mm (5/8")	2624	Hydraulic
3585		Hydraulic	
19.1mm (3/4")	3585	Hydraulic	

\*HUCK is a registered trademark of Howmet Fastening Systems.

**Note:** Part numbers listed reflect typical models. Additional head style, material, diameter and grip range may be available. Please contact us for further information.

Mlock has a ring internal locking mechanism, which can fill holes in a large grip range, so as to achieve high clamping force, tensile strength, shear strength, and waterproof function. At the same time, the break section is neat. After riveting, it can only be checked by visual inspection.



- Excellent filling
- Big grip range
- Waterproof

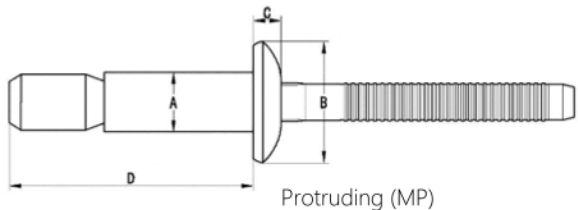
Product diameter: 4.8mm, 6.4mm, 9.5mm (3/16", 1/4", 3/8")

Product material: aluminum, steel, stainless steel

Head style: protruding, truss, 100 ° countersunk

For other size, material, head style, please contact us.

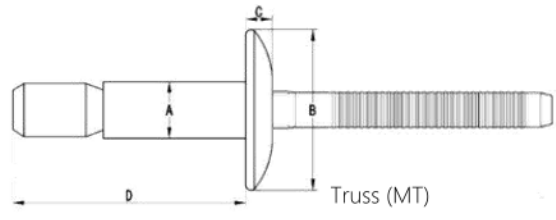




Protruding (MP)

Sleeve: Protruding head style, Aluminum / Steel with Zinc Plating / Stainless steel  
 Pin: Standard head style, Aluminum / Steel with Zinc Plating / Stainless steel

Dia.	Grip Range			Hole Dia.		B	C	D	Aluminum				Steel				Stainless Steel			
									Shear	Tensile	Pin Retention	Part No	Shear	Tensile	Pin Retention	Part No	Shear	Tensile	Pin Retention	Part No
4.8 (3/16")	1.6	6.9	4.9	5.1	9.8	2.2	18.3	2.7	2.2	0.3	MP-B6-4	5.8	4.4	0.7	MP-R6-4	5.8	4.2	0.4	MP-U6-4	
	5.4	11.1					22.4				MP-B6-7				MP-R6-7				MP-U6-7	
	14.3	19.0					30.3				MP-B6-12				MP-R6-12				MP-U6-12	
	1.6	11.1					25.9				MP-B6-E				MP-R6-E				MP-U6-E	
6.4 (1/4")	2.0	6.4	6.6	6.9	13.0	3.0	18.3	5.8	4.0	0.4	MP-B8-4	11.1	8.2	1.3	MP-R8-4	10.5	8	0.9	MP-U8-4	
	2.0	9.5					24.6				MP-B8-6				MP-R8-6				MP-U8-6	
	8.9	15.9					31.0				MP-B8-10				MP-R8-10				MP-U8-10	
	14.7	22.2					37.3				MP-B8-14				MP-R8-14				MP-U8-14	
	21.1	28.6					43.7				MP-B8-18				MP-R8-18				MP-U8-18	
	27.4	34.9					50.0				MP-B8-22				MP-R8-22				MP-U8-22	
	2.0	15.9					35.7				MP-B8-E				MP-R8-E				MP-U8-E	
9.5 (3/8")	3.1	15.9	10.0	10.4	20.1	4.5	41.9	13.1	8.5	1.1	MP-B12-12	26.7	17.8	2.7	MP-R12-12	26.7	17.8	2.7	MP-U12-12	
	15.9	28.6					56.3				MP-B12-18				MP-R12-18				MP-U12-18	
	25.4	38.1					65.8				MP-B12-24				MP-R12-24				MP-U12-24	



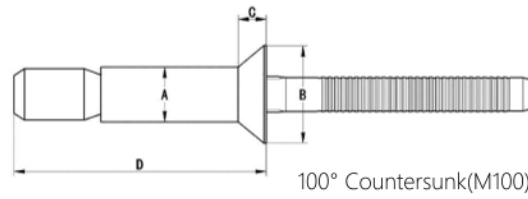
Truss (MT)

Sleeve: Truss / 100° Countersunk head style, Aluminum / Steel with Zinc Plating / Stainless steel  
 Pin: Standard head style, Aluminum / Steel with Zinc Plating / Stainless steel

Dia.	Grip Range			Hole Dia.		B	C	D	Aluminum				Steel				Stainless Steel			
									Shear	Tensile	Pin Retention	Part No	Shear	Tensile	Pin Retention	Part No	Shear	Tensile	Pin Retention	Part No
4.8 (3/16")	1.6	6.9	4.9	5.1	13.5	2.3	18.3	2.7	2.2	0.3	MT-B6-4	5.8	4.4	0.7	MT-R6-4	5.8	4.2	0.4	MT-U6-4	
	5.4	11.1					22.4				MT-B6-7				MT-R6-7				MT-U6-7	
	1.6	11.1					25.9				MT-B6-E				MT-R6-E				MT-U6-E	
6.4 (1/4")	2.0	9.5	6.6	6.9	15.0	3.0	24.6	5.8	4.0	0.4	MT-B8-6	11.1	8.2	1.3	MT-R8-6	10.5	8	0.9	MT-U8-6	
	8.9	15.9					31.0				MT-B8-10				MT-R8-10				MT-U8-10	
	2.0	15.9					35.7				MT-B8-E				MT-R8-E				MT-U8-E	
9.5 (3/8")	3.1	15.9	10.0	10.4	22.8	4.5	41.9	13.1	8.5	1.1	MT-B12-12	26.7	17.8	2.7	MT-R12-12	26.7	17.8	2.7	MT-U12-12	
	25.4	38.1					65.8				MT-B12-24				MT-R12-24				MT-U12-24	

Note: Part numbers listed reflect typical models. Additional head style, material, diameter and grip range may be available. Please contact us for further information.





Sleeve: 100° Countersunk head style, Aluminum / Steel with Zinc Plating / Stainless steel  
 Pin: Standard head style, Aluminum / Steel with Zinc Plating / Stainless steel

Dia.	Grip Range		Hole Dia.		B	C	D	Aluminum				Steel			Stainless Steel				
								Shear	Tensile	Pin Retention	Part No	Shear	Tensile	Pin Retention	Part No	Shear	Tensile	Pin Retention	Part No
nom.	min.	max.	min.	max.	max.	max.	max.	min kN	min kN	min kN		min kN	min kN	min kN		min kN	min kN	min kN	
mm	mm	mm	mm	mm	mm	mm	mm												
<b>4.8</b> (3/16")	3.2	8.5	4.9	5.1	8.9	1.9	20.2	2.7	2.2	0.3	M100-B6-6	5.8	4.4	0.7	M100-R6-6	5.8	4.2	0.4	M100-U6-6
	7.8	12.8					24.4				M100-B6-9				M100-R6-9				M100-U6-9
	12.3	17.0					28.7				M100-B6-12				M100-R6-12				M100-U6-12
	15.5	20.2					31.9				M100-B6-14				M100-R6-14				M100-U6-14
<b>6.4</b> (1/4")	4.1	12.1	6.6	6.9	10.4	2.2	26.9	5.8	4.0	0.4	M100-B8-8	11.1	8.2	1.3	M100-R8-8	10.5	8.0	0.9	M100-U8-8
	10.5	18.4					33.3				M100-B8-12				M100-R8-12				M100-U8-12

### INSTALLATION TOOL

Product Type	Product Diameter	Huck* Tooling	Tooling Type
KB Mlock	4.8mm (3/16")	2480	Hydraulic
		BV4500-118	Battery
	6.4mm (1/4")	2480	Hydraulic
		BV4500-118	Battery
	9.5mm (3/8")	2581	Hydraulic

\*HUCK is a registered trademark of Howmet Fastening Systems.

**Note:** Part numbers listed reflect typical models. Additional head style, material, diameter and grip range may be available. Please contact us for further information.



**Dlock-Bulb** is a high-strength blind rivet that can be operated on one side. It has a double-lock design and high tensile and shear properties. During riveting, the bulb at the blind hole end can increase the stress surface and increase the clamping force. It can be perfectly applied to thin materials, large holes and miss-line holes. At the same time, the broken pin surface is neat after riveting, and there is no problem of scratching hands or clothes.



- Internal locking design, high mechanical performance
- Rivet head bulbed, applicable to thin material, large hole and dislocation hole
- Nail rod section is flush, visual inspection can be checked

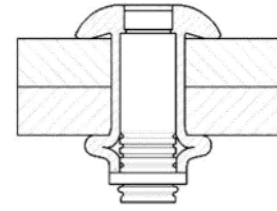
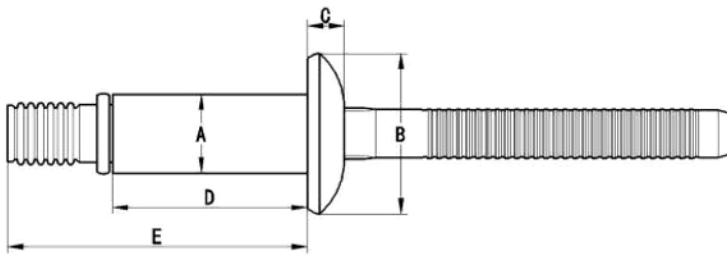
Product diameter: 4.8mm, 6.4mm, 7.9mm (3/16", 1/4", 5/16")

Product material: steel

Head style: regular, clearance

For other size, material, head style, please contact us.

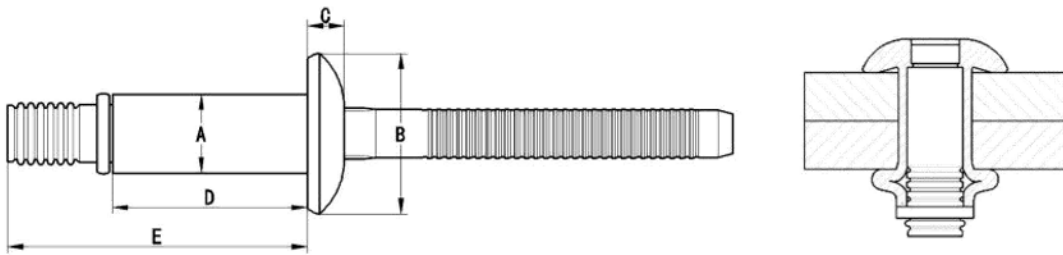




Sleeve: Protruding head style, steel with Zinc Plating  
 Pin: Regular head style, steel with Zinc Plating

Dia.	Grip Range		Hole Dia.		B	C	D	Tensile	Shear	Pin Retention	Part No
	min.	max.	min.	max.							
mm	mm	mm	mm	mm	mm	mm	mm	kN	kN	kN	
<b>4.8</b> (3/16")	2.2	2.8	4.9	5.1	9.9	2.6	15.0	8.7	4.7	0.7	DLP-R6-M2
	2.2	3.8					17.1				DLP-R6-M3
	3.2	4.8					17.7				DLP-R6-M4
	4.2	5.8					18.6				DLP-R6-M5
	5.2	6.8					19.7				DLP-R6-M6
	6.2	7.8					20.7				DLP-R6-M7
	7.2	8.8					21.7				DLP-R6-M8
	8.2	9.8					22.7				DLP-R6-M9
	9.2	10.8					23.7				DLP-R6-M10
	10.2	11.8					24.7				DLP-R6-M11
	11.2	12.8					25.7				DLP-R6-M12
	12.2	13.8					26.7				DLP-R6-M13
	13.2	14.8					27.7				DLP-R6-M14
<b>6.4</b> (1/4")	1.5	3.5	6.6	6.9	13.4	3.2	19.3	15.6	8.5	1.3	DLP-R8-M2
	2.8	4.8					20.9				DLP-R8-M3
	3.8	5.8					21.9				DLP-R8-M4
	4.8	6.8					22.9				DLP-R8-M5
	5.8	7.8					23.9				DLP-R8-M6
	6.8	8.8					24.9				DLP-R8-M7
	7.8	9.8					25.9				DLP-R8-M8
	8.8	10.8					26.9				DLP-R8-M9
	9.8	11.8					27.9				DLP-R8-M10
	10.8	12.8					28.9				DLP-R8-M11
	11.8	13.8					30.0				DLP-R8-M12
	12.8	14.8					30.9				DLP-R8-M13
	18.8	20.8					37.1				DLP-R8-M19
31.8	33.8					50.3				DLP-R8-M32	

Note: Part numbers listed reflect typical models. Additional head style, material, diameter and grip range may be available. Please contact us for further information.



Sleeve: Protruding head style, steel with Zinc Plating  
 Pin: Regular head style, steel with Zinc Plating

Dia. nom. mm	Grip Range		Hole Dia.		B max. mm	C max. mm	D max. mm	Tensile min. kN	Shear min. kN	Pin Retention min. kN	Part No
	min. mm	max. mm	min. mm	max. mm							
<b>7.9</b> <b>(5/16")</b>	3.8	6.4	8.3	8.6	16.8	3.9	28.1	22.2	13.2	2.1	DLP-R10-3
	5.1	7.6					29.3				DLP-R10-4
	6.4	8.9					30.6				DLP-R10-5
	7.6	10.2					31.9				DLP-R10-6
	8.9	11.4					33.2				DLP-R10-7
	10.2	12.7					34.4				DLP-R10-8
	11.4	14.0					35.7				DLP-R10-9
	12.7	15.2					37.0				DLP-R10-10

#### INSTALLATION TOOL

Product Type	Product Diameter	Huck* Tooling	Tooling Type
KB Dlock-Bulb	4.8mm (3/16")	2480	Hydraulic
		BV4500-118	Battery
	6.4mm (1/4")	2480	Hydraulic
		BV4500-118	Battery
	7.9mm (5/16")	2581	Hydraulic

\*HUCK is a registered trademark of Howmet Fastening Systems.

**Note:** Part numbers listed reflect typical models. Additional head style, material, diameter and grip range may be available. Please contact us for further information.

Nlock is also a double locking design blind rivet with excellent mechanical properties. In addition, among the rivets of the same level, it has wider grip range, which can replace 3 to 4 products of the same level, which can effectively reduce product specifications, reduce user identification difficulty and mixing risk, and reduce user inventory and capital.



- Both-side locking design, excellent mechanical performance
- Big grip range and cost saving
- Flush break section which can be inspected visually

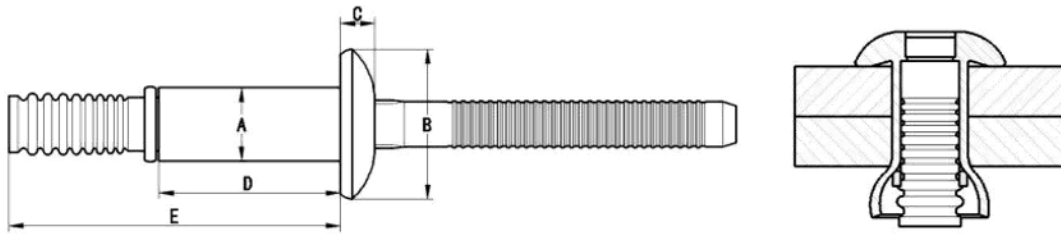
Product diameter: 4.8mm, 6.4mm (3/16", 1/4")

Product material: steel

Head style: protruding

For other size, material, head style, please contact us.





Sleeve: Protruding head style, steel with Zinc Plating

Pin: Regular head style, steel with Zinc Plating

Dia. nom.	Grip Range		Hole Dia.		B max.	C max.	D nom.	E max.	Shear min.	Tensile min.	Pin Retention min.	Part No
	min.	max.	min.	max.								
<b>4.8</b> <b>(3/16")</b>	1.6	7.9	4.9	5.1	10.0	2.6	11.2	21.8	8.5	4.5	0.7	NLP-R6-5
	4.7	19.1					14.4	24.9				NLP-R6-7
<b>6.4</b> <b>(1/4")</b>	2.5	15.9	6.6	6.9	13.5	3.1	13.8	25.9	15.6	9.8	1.3	NLP-R8-6
	4.7	11.1					15.3	27.5				NLP-R8-7
	9.5	15.9					20.2	32.2				NLP-R8-10
	12.7	19.1					23.3	35.4				NLP-R8-12
	15.9	22.2					26.5	38.6				NLP-R8-14
	22.2	28.6					32.9	44.9				NLP-R8-18
	25.4	31.8					36.0	48.1				NLP-R8-20

#### INSTALLATION TOOL

Product Type	Product Diameter	Huck* Tooling	Tooling Type
KB Nlock	4.8mm (3/16")	2480	Hydraulic
		BV4500-118	Battery
	6.4mm (1/4")	2480	Hydraulic
		BV4500-118	Battery

\*HUCK is a registered trademark of Howmet Fastening Systems.

**Note:** Part numbers listed reflect typical models. Additional head style, material, diameter and grip range may be available. Please contact us for further information.



Slock-Bulb is a kind of blind rivet with subulate head design and easy to find holes. The bulbed of rivet head can make this rivet have excellent clamping force, tensile strength and shear strength. Therefore, it is particularly suitable for thin plates, large holes, mislabeled holes and other scenes that require high strength and fast installation speed.



- Subulate-guide design, easy to install
- High mechanical performance
- Both ends of riveter are neat

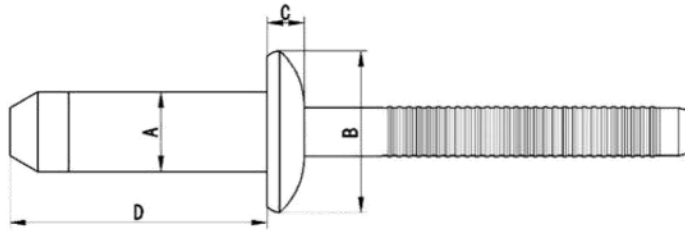
Product diameter: 6.4mm (1/4")

Product material: Steel

Rivet head type: Protruding head

For other size, material, head style, please contact us.





Sleeve: Protruding head style, steel with Zinc Plating  
 Pin: Standard head style, steel with Zinc Plating

Dia. nom. mm	Grip Range		Hole Dia.		B max. mm	C max. mm	D max. mm	Tensile min. kN	Shear min. kN	Pin Retention min. kN	Part No
	min. mm	max. mm	min. mm	max. mm							
<b>6.4</b> <b>(1/4")</b>	1.5	3.5	6.6	6.9	13.4	3.2	15.8	11.6	7.1	1.3	SLP-R8-M2
	2.8	4.8					16.8				SLP-R8-M3
	3.8	5.8					17.8				SLP-R8-M4
	4.8	6.8					18.8				SLP-R8-M5
	5.8	7.8					19.8				SLP-R8-M6
	6.8	8.8					20.8				SLP-R8-M7
	7.8	9.8					21.8				SLP-R8-M8
	8.8	10.8					22.8				SLP-R8-M9
	9.8	11.8					23.8				SLP-R8-M10
	10.8	12.8					24.8				SLP-R8-M11
	18.8	20.8					32.8				SLP-R8-M19

#### INSTALLATION TOOL

Product Type	Product Diameter	Huck* Tooling	Tooling Type
KB Slock-Bulb	6.4mm (1/4")	2480	Hydraulic
		BV4500-118	Battery

\*HUCK is a registered trademark of Howmet Fastening Systems.

**Note:** Part numbers listed reflect typical models. Additional head style, material, diameter and grip range may be available. Please contact us for further information.





# 2480

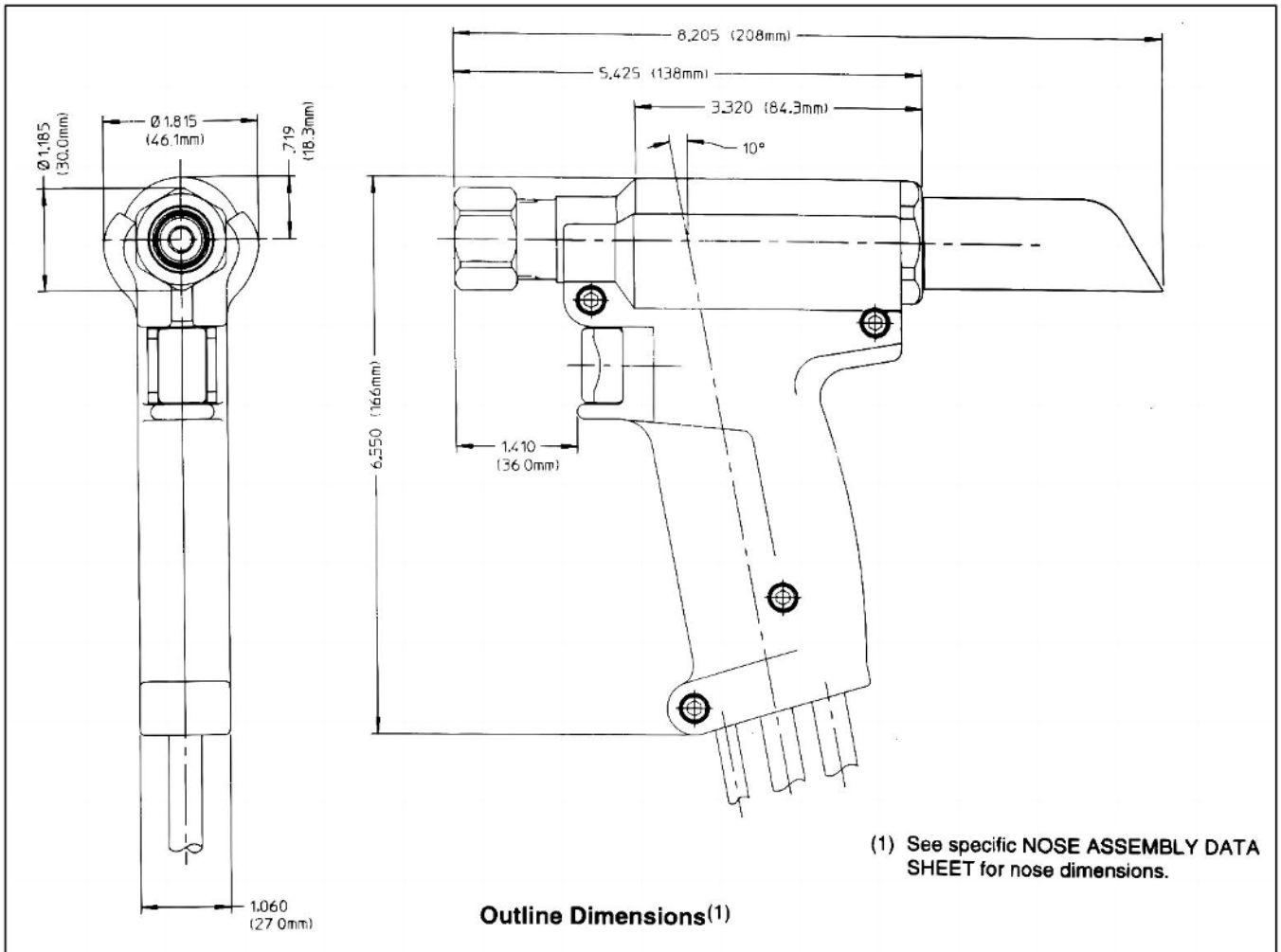
## Specifications

Weight:  
2.2 lbs. (1kg)

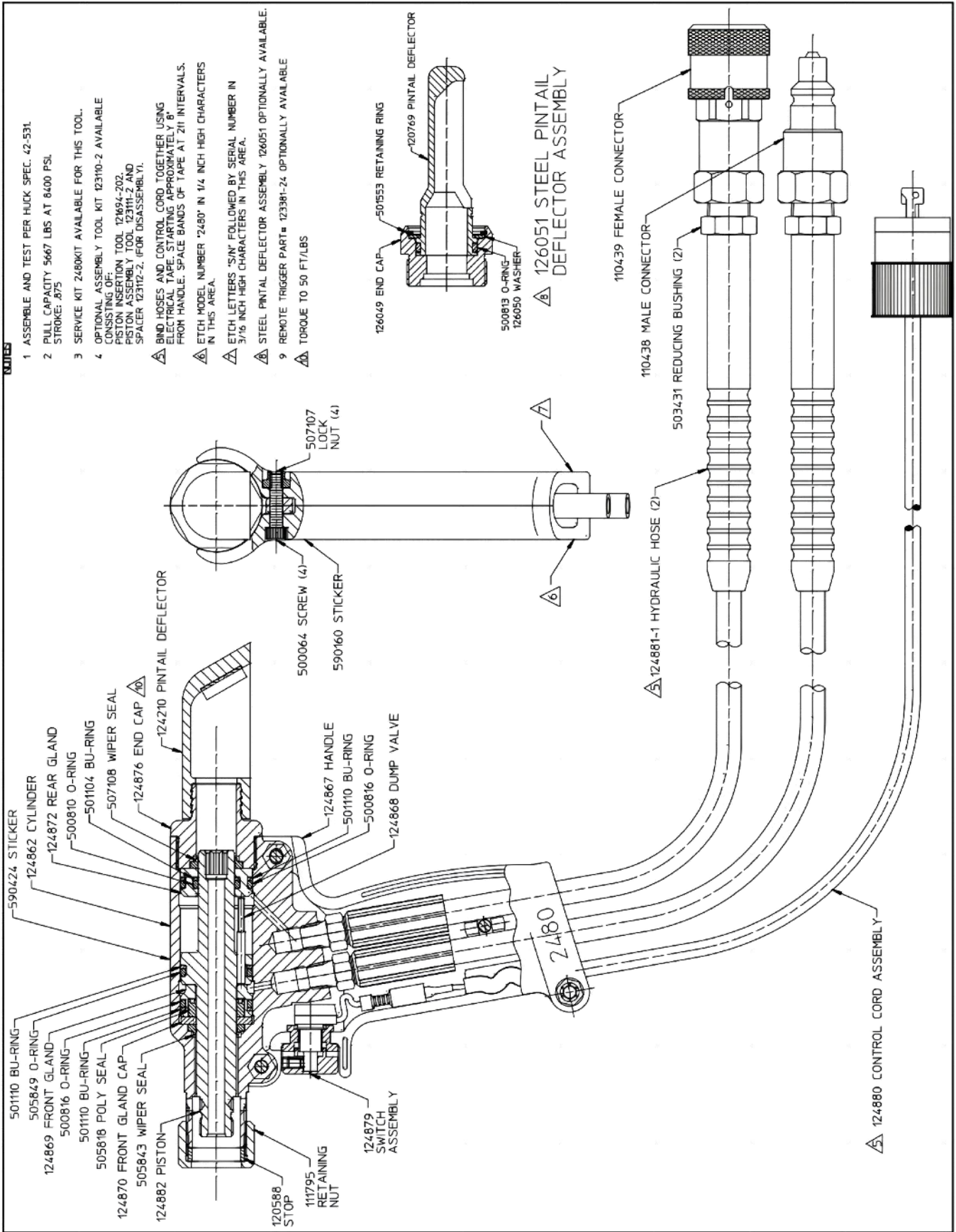
Stroke:  
0.85inch (20.6mm)

Operating Hydraulic Pressures:  
Pull-8,400 psi (579 bar)  
Return-3,200 psi (221 bar)

Capacity:  
5,700 lbs @ 8,440 psi  
(25.4 kN @ 579 bar)



# TOOL 2480 - Section View





# 2580L

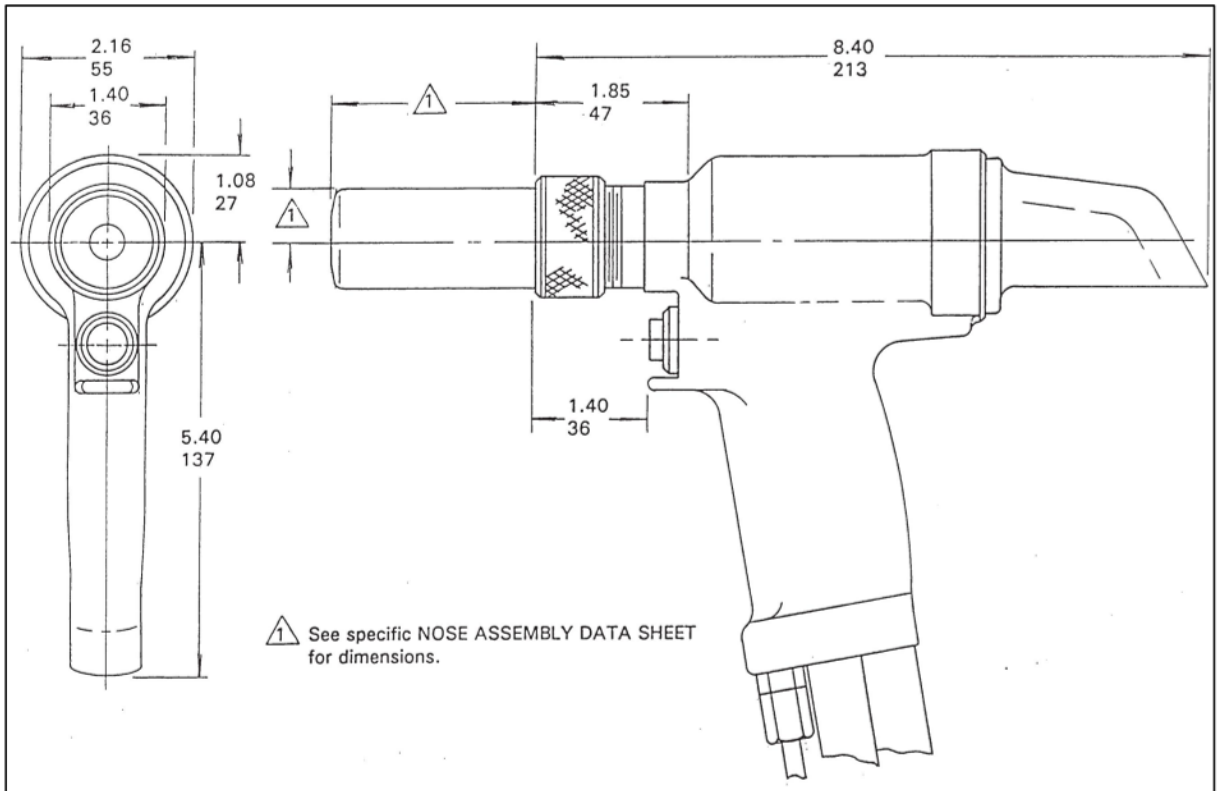
## Specifications

Weight:  
appx. 5.5 lbs (2.49 kg)

Stroke:  
0.937 inch (23.8 mm)

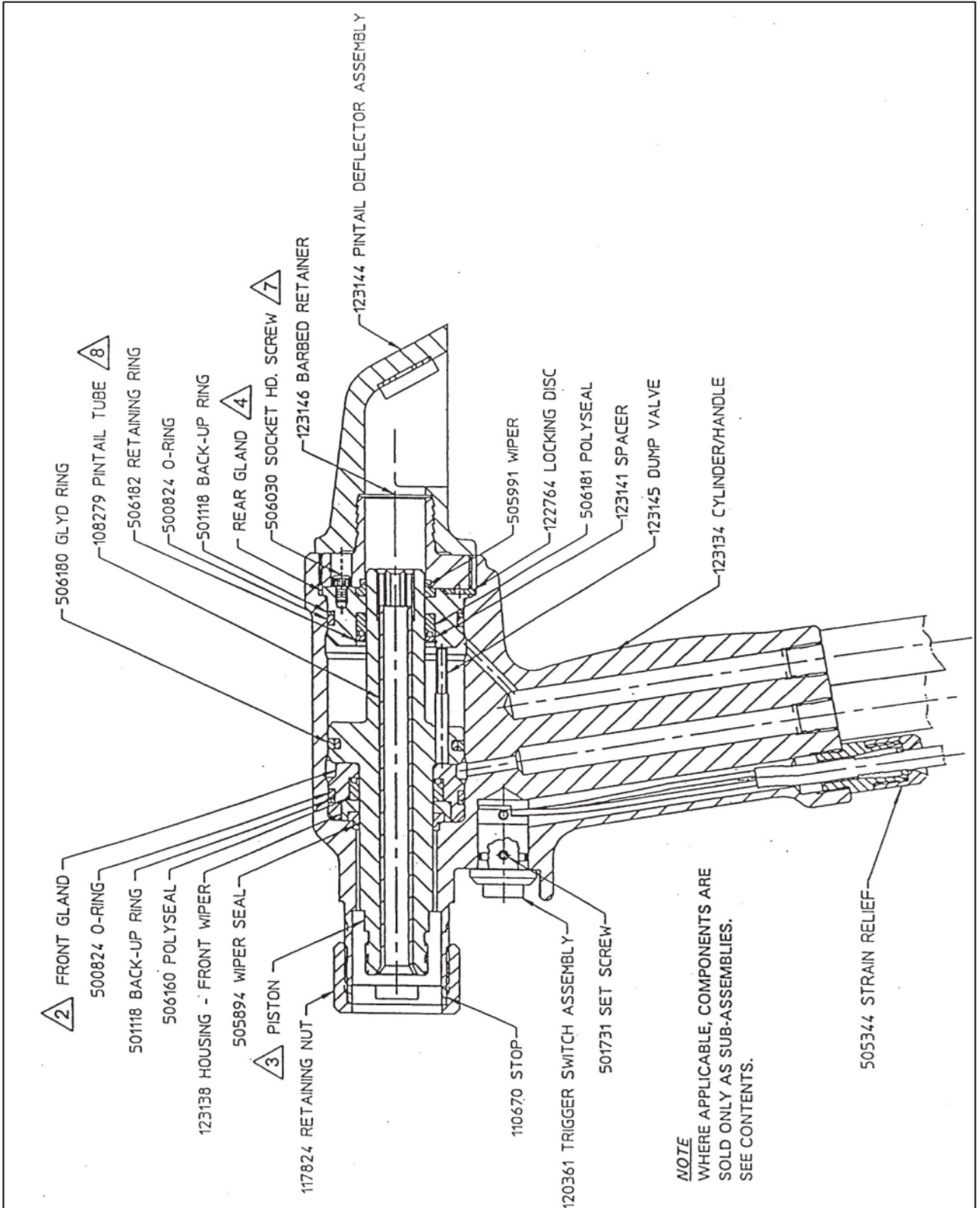
Operating Hydraulic Pressures:  
Pull-8,400 psi (580 bar)  
Return-3,200 psi (220 bar)

Capacity:  
12,200 lbf @8,400 psi  
(54.3 kN @ 580 bar)





# TOOL 2580L - Section View 1/2

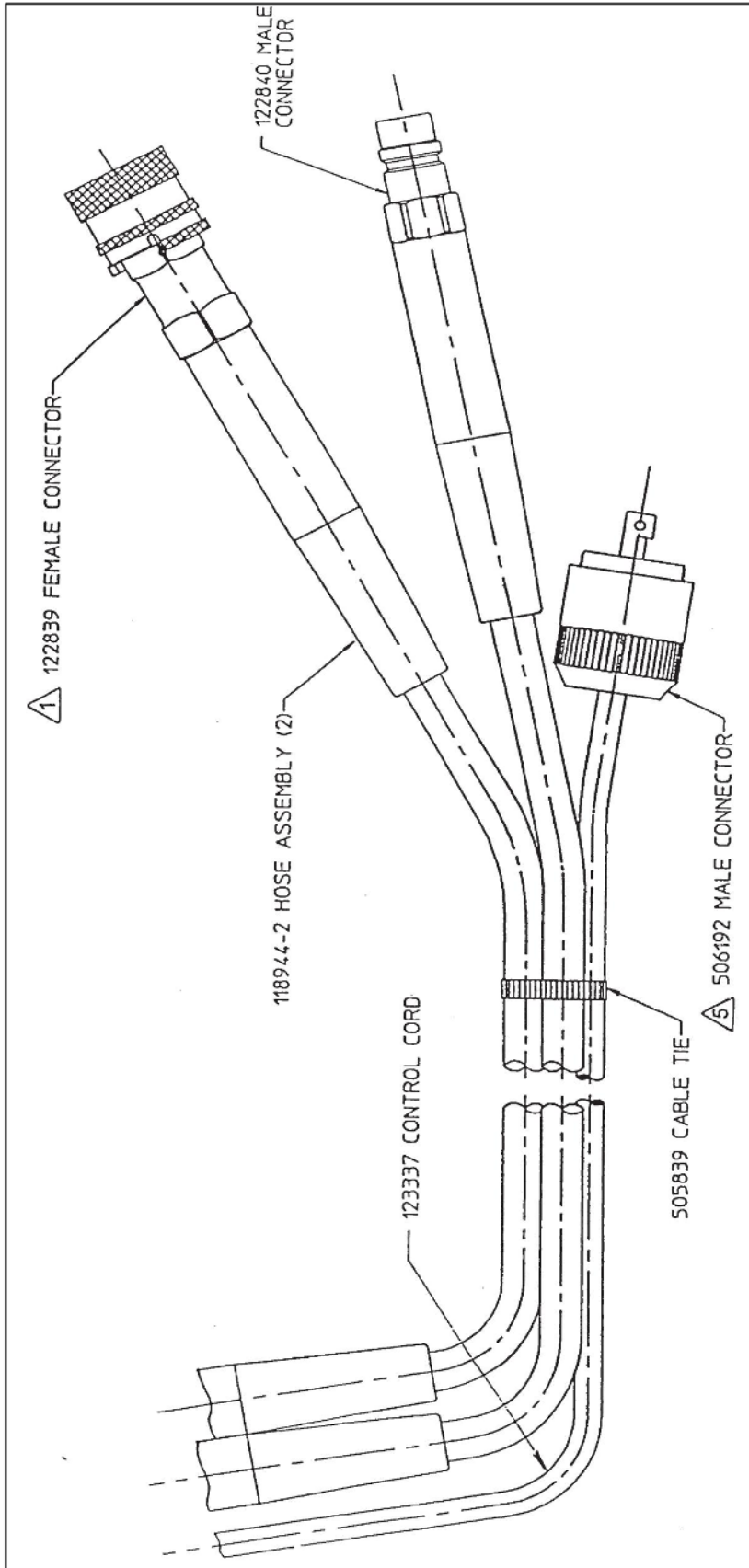


**NOTE**  
 WHERE APPLICABLE, COMPONENTS ARE  
 SOLD ONLY AS SUB-ASSEMBLIES.  
 SEE CONTENTS.





# TOOL 2580L - Section View 2/2





# 2600

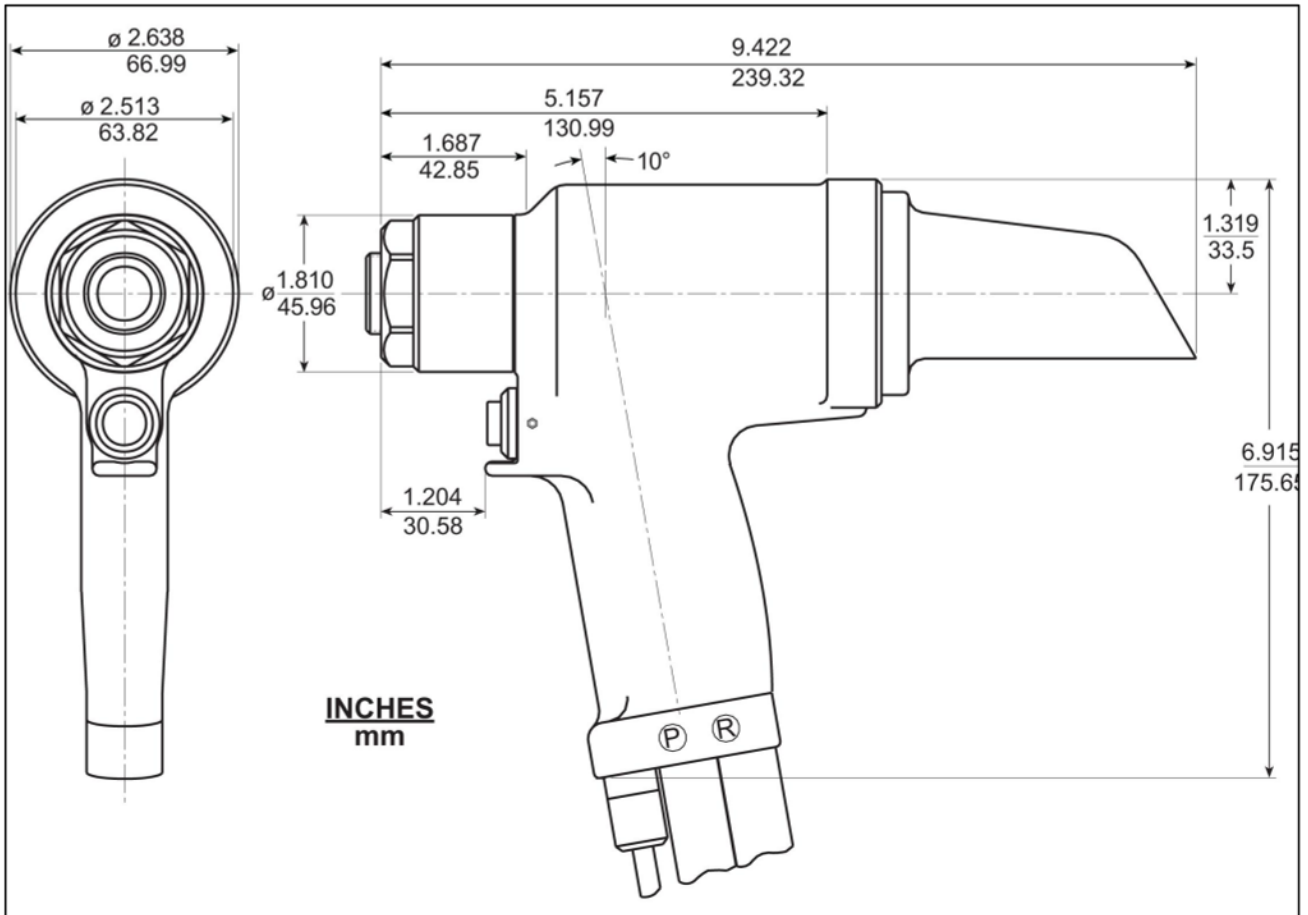
## Specifications

Weight:  
7.3 lbs. (3.3kg)

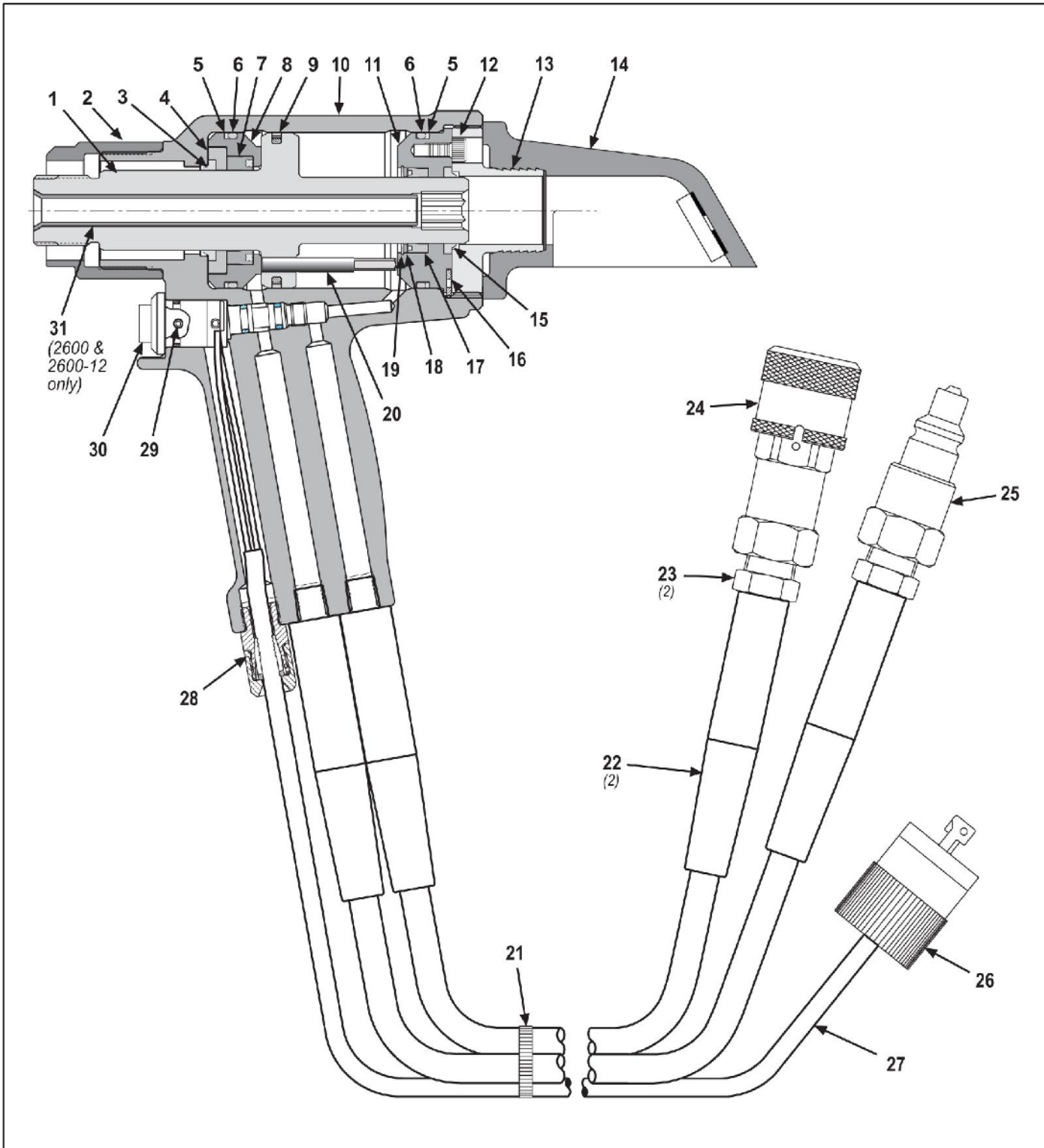
Stroke:  
1.22 inch (31mm)

Operating Hydraulic Pressures:  
Pull-5,700 psi (393 bar)  
Return-2,800 psi (193 bar)

Capacity:  
13839 lbs @ 5,700 psi  
(61.56 kN @ 393 bar)



# TOOL 2600 - Assembly Drawing



# TOOL 2600 - Parts List

Item	Descri-PTion	Qty	Part Number
1	Piston	1	122759
2	Retaining Nut	1	122756
3	Front Wiper Seal	1	506064
4	Front Wiper Housing	1	122758
5	Back-up Ring	2	501125
6	O-Ring	2	500831
7	Polyseal	1	506158
8	Front Gland	1	122757
9	GLYD Ring Assembly	1	122769
10	Cylinder Assembly	1	122755
11	Rear Gland	1	122761
12	Socket Head Screw	1	505189
13	Barbed Retainer	1	122765
14	Pintail Deflector Assembly	1	122766
15	Rear Wiper Seal	1	505894
16	Locking Disc	1	122764
17	Polyseal	1	506160
18	Spacer	1	122762
19	Retaining Ring	1	506159
20	Dump Valve	1	122763
21	Cable Tie	①	505839
22	Hose Assembly	2	118944-2
23	Reducing Bushing	2	503431
24	Female Connector	1	110439
25	Connector	1	110438
26	Male Connector	1	110686
27	Control Cord	1	123337-1
28	Strain Relief	1	505344
29	Set Screw	1	501731
30	Trigger Switch Assy	1	120361
31	Pintail Tube	1	122771

①Cable Tie quantity depends upon length of hoses.





# 2620-PT

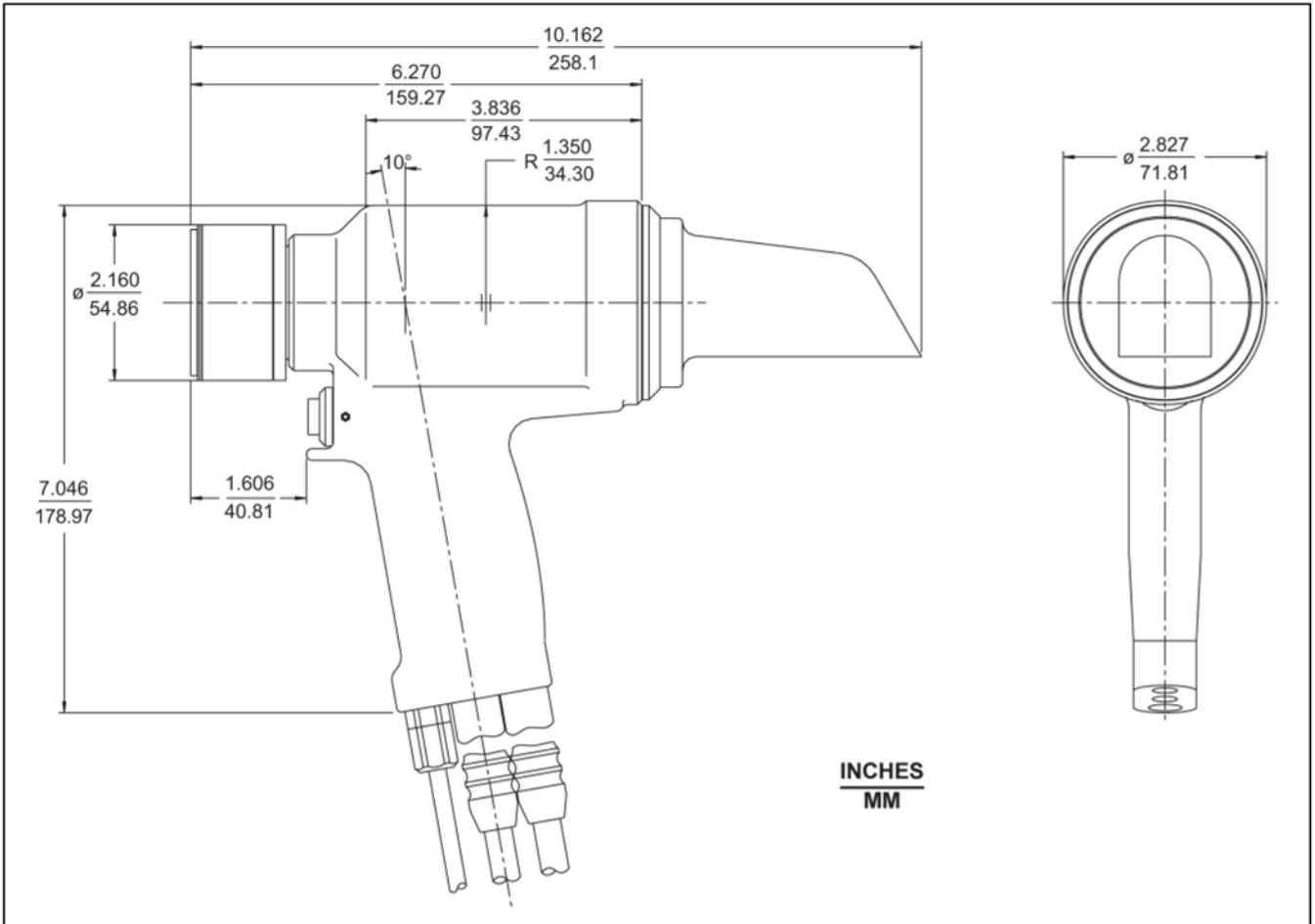
## Specifications

Weight:  
9.875 lbs. (4.48kg)

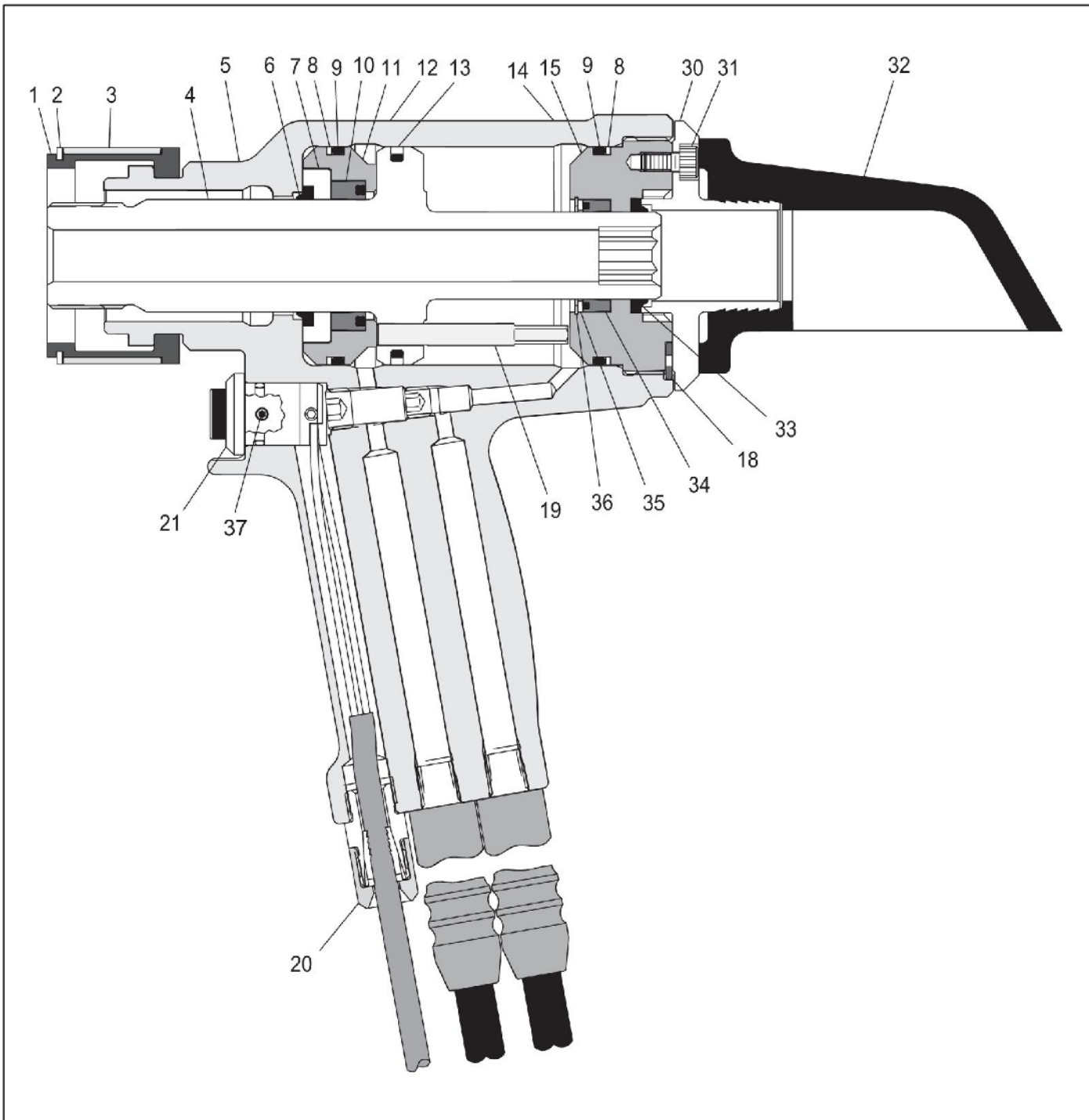
Stroke:  
1.437 inch (36.5mm)

Operating Hydraulic Pressures:  
Pull-7,400 psi (510 bar)  
Return-3,200 psi (220 bar)

Capacity:  
17,745 lbs @ 6,500 psi  
(78.93 kN @ 448 bar)



# TOOL 2620-PT - Assembly Drawing



# TOOL 2620-PT - Parts List

Item	Descri-PTion	Qty	Part Number
1	Split Ring	1	102147
2	Retaining Ring	1	501514
3	Retaining Sleeve	1	102148
4	Piston	1	125761
5	Cylinder Assembly	1	126152
6	Wiper Seal	1	507407
7	Wiper Housing	1	125610
8	Back-up Ring	2	501127
9	O-ring	2	507412
10	Polyseal	1	507408
11	Front Gland	1	125609
12	Caution Sticker	1	590189-2
13	GLYD Ring Assembly	1	122769-1
14	Warning Sticker	1	590240
15	End Cap	1	125763
16	Cover Plate	1	—
17	Retaining Ring	1	—
18	Locking Disc	1	122764
19	Dump Valve	1	125616
20	Strain Relief or Air Fitting	1	505344
21	Trigger Switch Assembly	1	120361
22	Ejector Gland Assembly	1	—
23	Ejector Washer	1	—
24	O-ring	2	—
25	Gland	1	—
26	Rod Wiper	1	—
27	Back-up Ring	1	—
28	Quad-Ring	1	—
29	Pintail Ejector	1	—
30	Barbed Retainer	1	125765
31	Screws	3	500060
32	Deflector	1	122766
33	Wiper Seal	1	505894
34	Polyseal	1	506160
35	Spacer	1	122762
36	Retaining Ring	1	506159
37	Set Screw	1	501731



# 2624

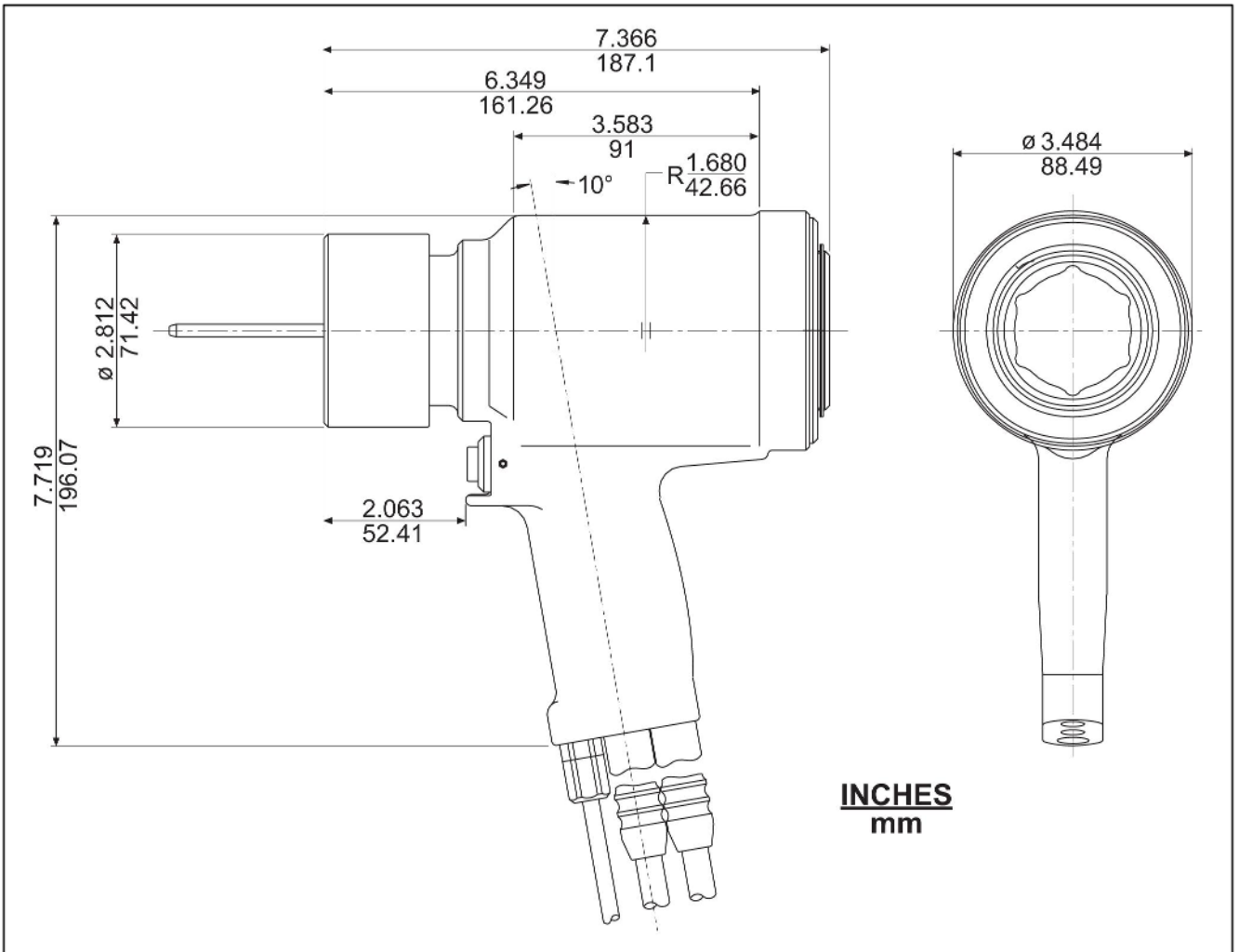
## Specifications

Weight:  
17.5 lbs. (7.94kg)

Stroke:  
1.687 inch (42.8mm)

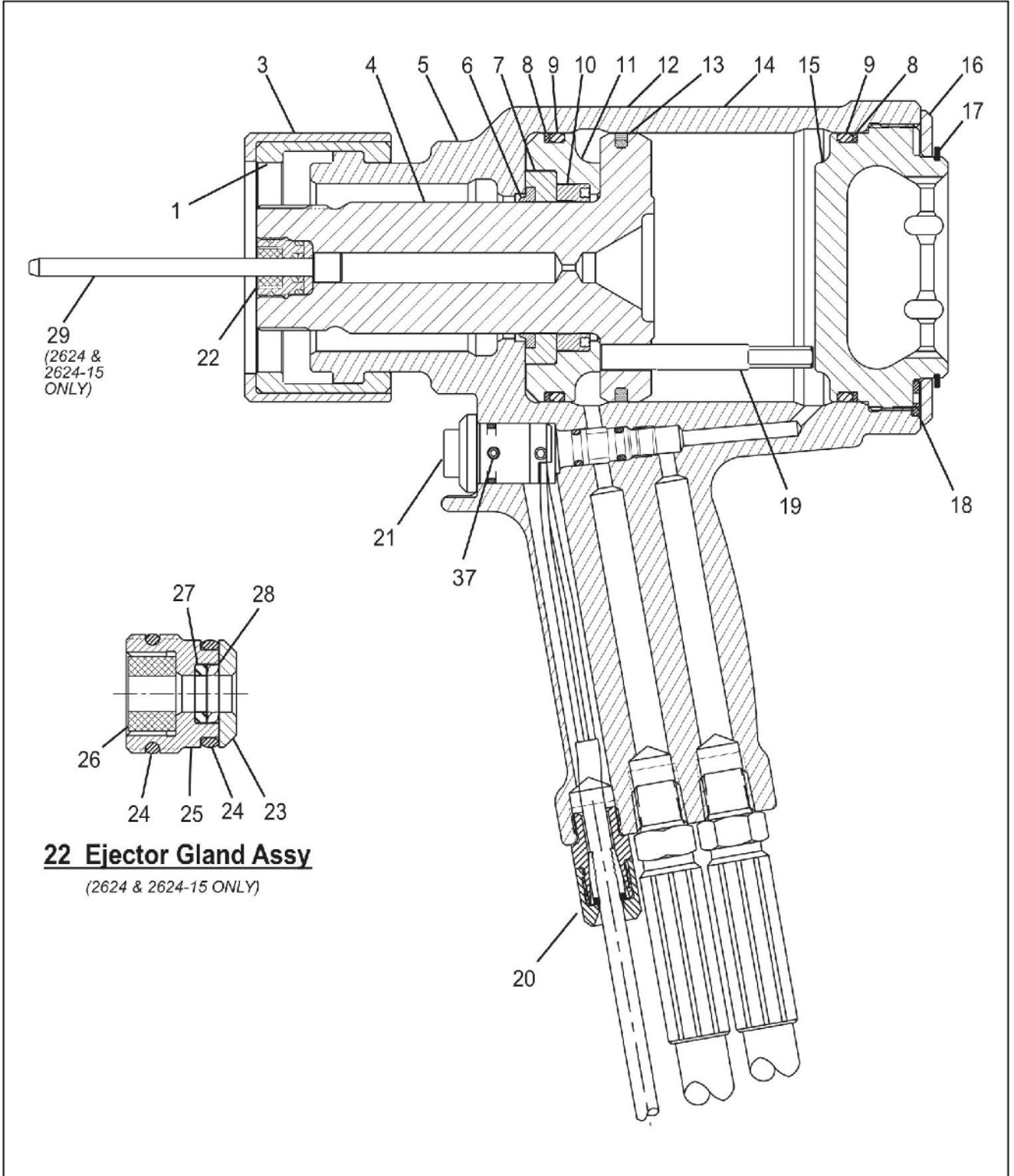
Operating Hydraulic Pressures:  
Pull-7,400 psi (510 bar)  
Return-3,200 psi (220 bar)

Capacity:  
30,356 lbs @ 6,500 psi  
(135 kN @ 448 bar)

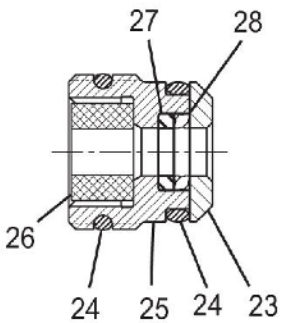




# TOOL 2624 - Assembly Drawing



29  
(2624 &  
2624-15  
ONLY)



**22 Ejector Gland Assy**  
(2624 & 2624-15 ONLY)





# TOOL 2624 - Parts List

Item	Descri-PTion	Qty	Part Number
1	Split Ring	1	100247
2	Retaining Ring	1	—
3	Retaining Sleeve	1	100248
4	Piston	1	125685
5	Cylinder Assembly	1	126108
6	Wiper Seal	1	506001
7	Wiper Housing	1	125683
8	Back-up Ring	2	125691
9	O-ring	2	500862
10	Polyseal	1	507417
11	Front Gland	1	125682
12	Caution Sticker	1	590189-2
13	GLYD Ring Assembly	1	122769-2
14	Warning Sticker	1	590247
15	End Cap	1	128048
16	Cover Plate	1	125690
17	Retaining Ring	1	507418
18	Locking Disc	1	122764
19	Dump Valve	1	125689
20	Strain Relief or Air Fitting	1	505344
21	Trigger Switch Assembly	1	120361
22	Ejector Gland Assembly	1	120653
23	Ejector Washer	1	120652
24	O-ring	2	500779
25	Gland	1	122047
26	Rod Wiper	1	122742
27	Back-up Ring	1	501080
28	Quad-Ring	1	501411
29	Pintail Ejector	1	122705
30	Retainer	1	—
31	Screws	3	—
32	Deflector	-	—
33	Wiper Seal	<u>1</u>	—
34	Polyseal	1	—
35	Spacer	1	—
36	Retaining Ring	1	—
37	Set Screw	1	501731





# 2624-PT

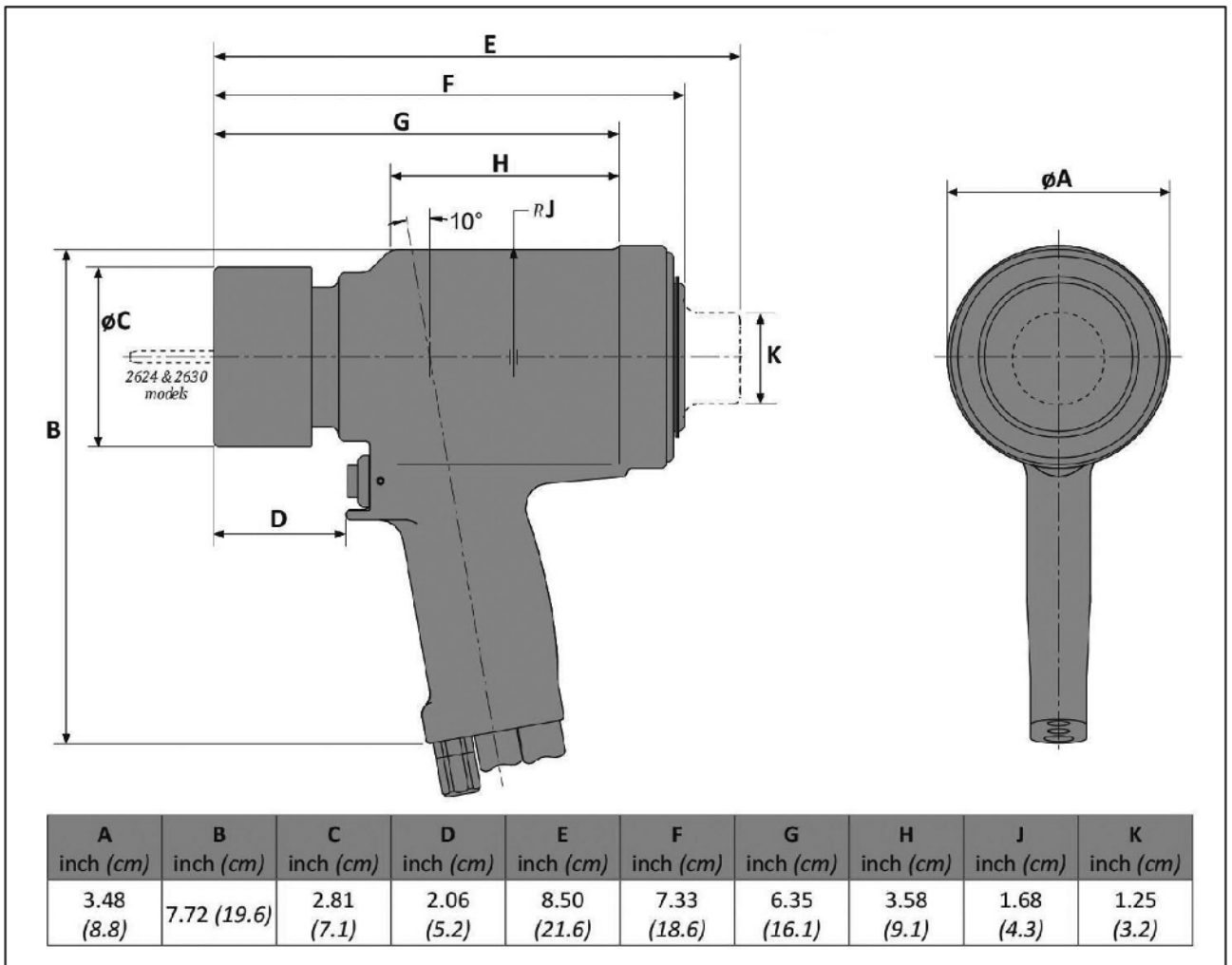
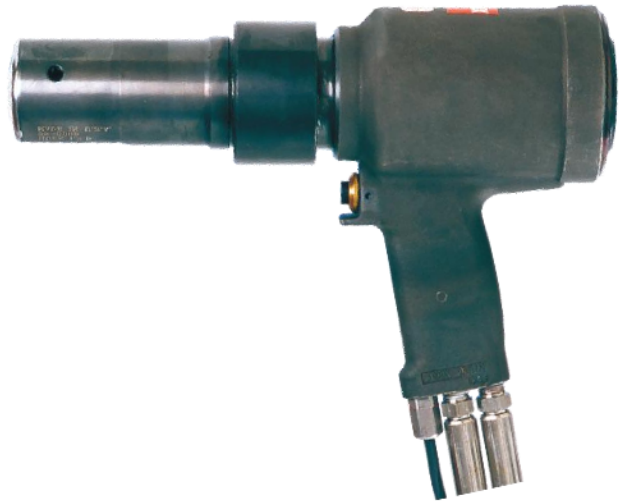
## Specifications

Weight:  
15.4 lbs. (7kg)

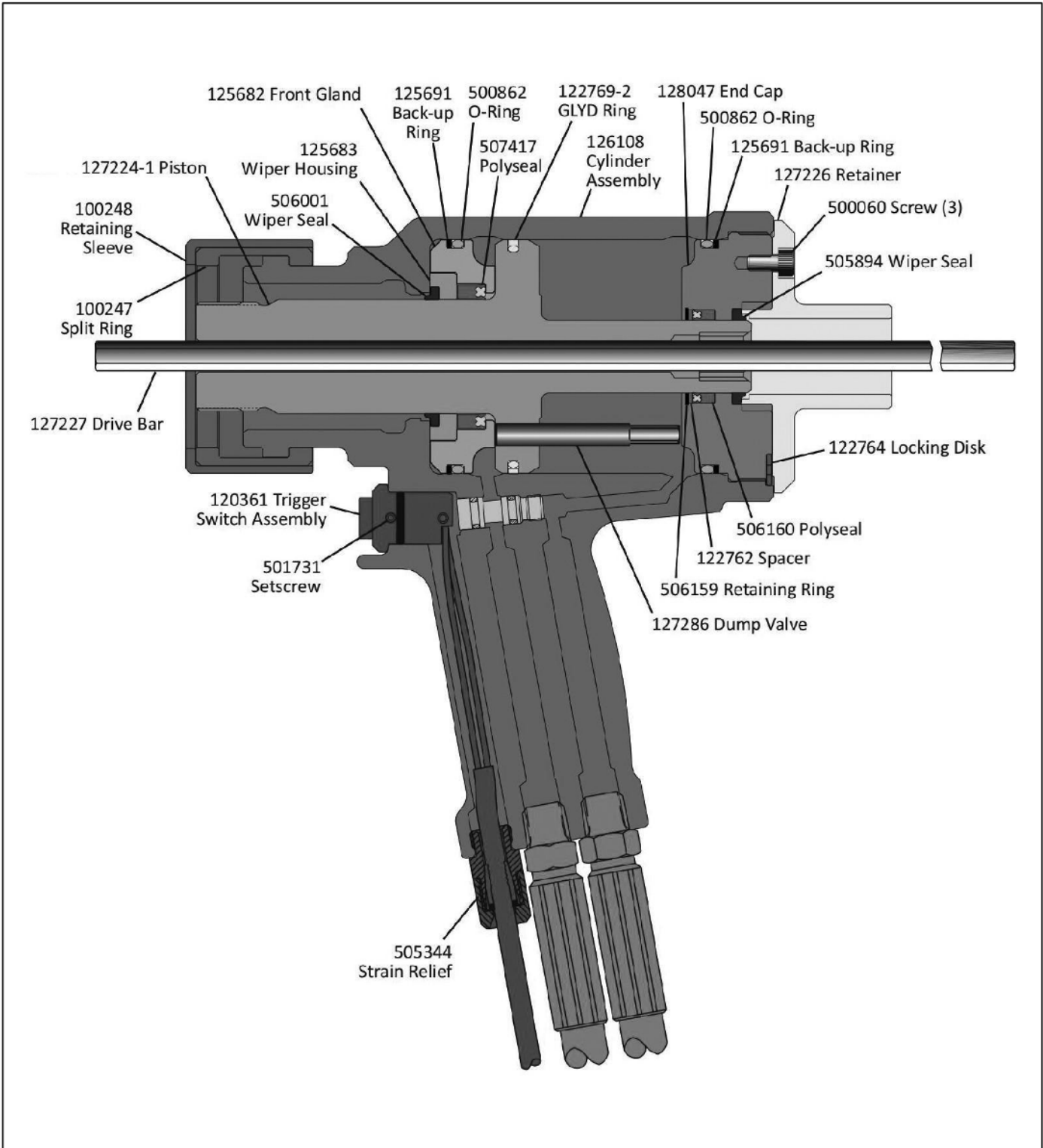
Stroke:  
1.689 inch (42.9mm)

Operating Hydraulic Pressures:  
Pull- 7,252 psi (500 bar)  
Return- 4,061 psi (280 bar)

Capacity:  
34,396 lbs @ 7,252 psi  
(153 kN @ 500 bar)



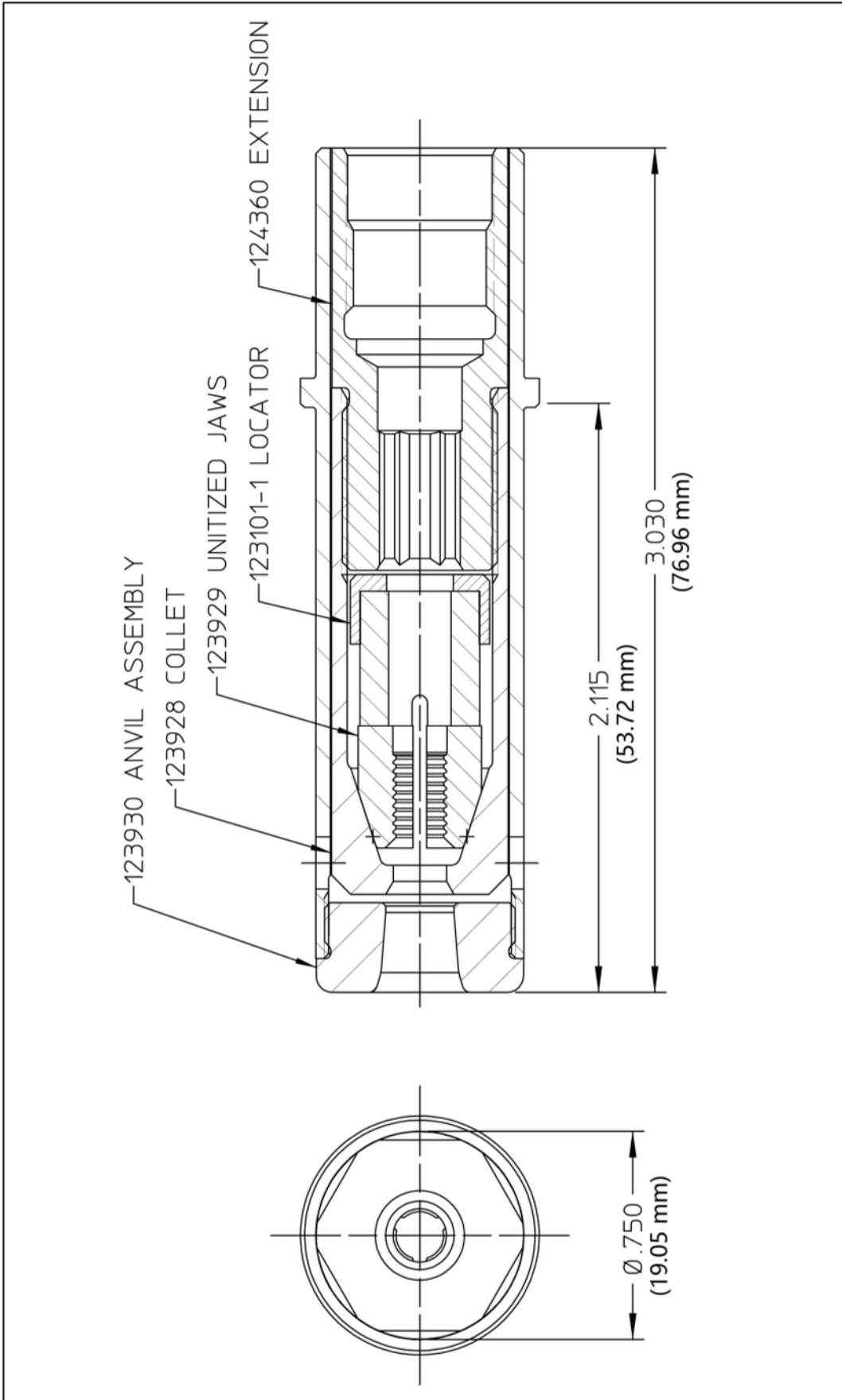
# TOOL 2624-PT - Assembly Drawing





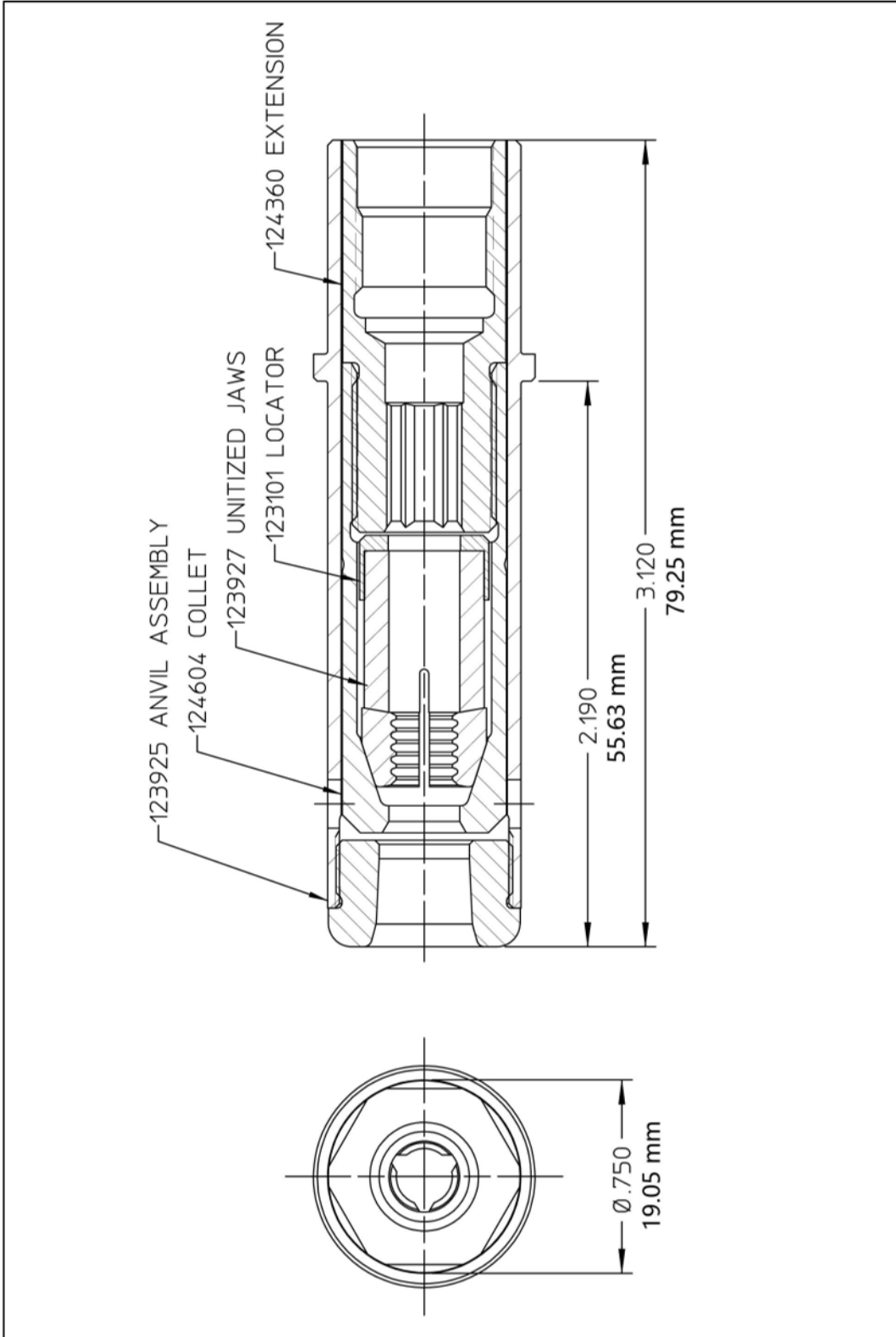


# NOSE ASSEMBLY 99-3003



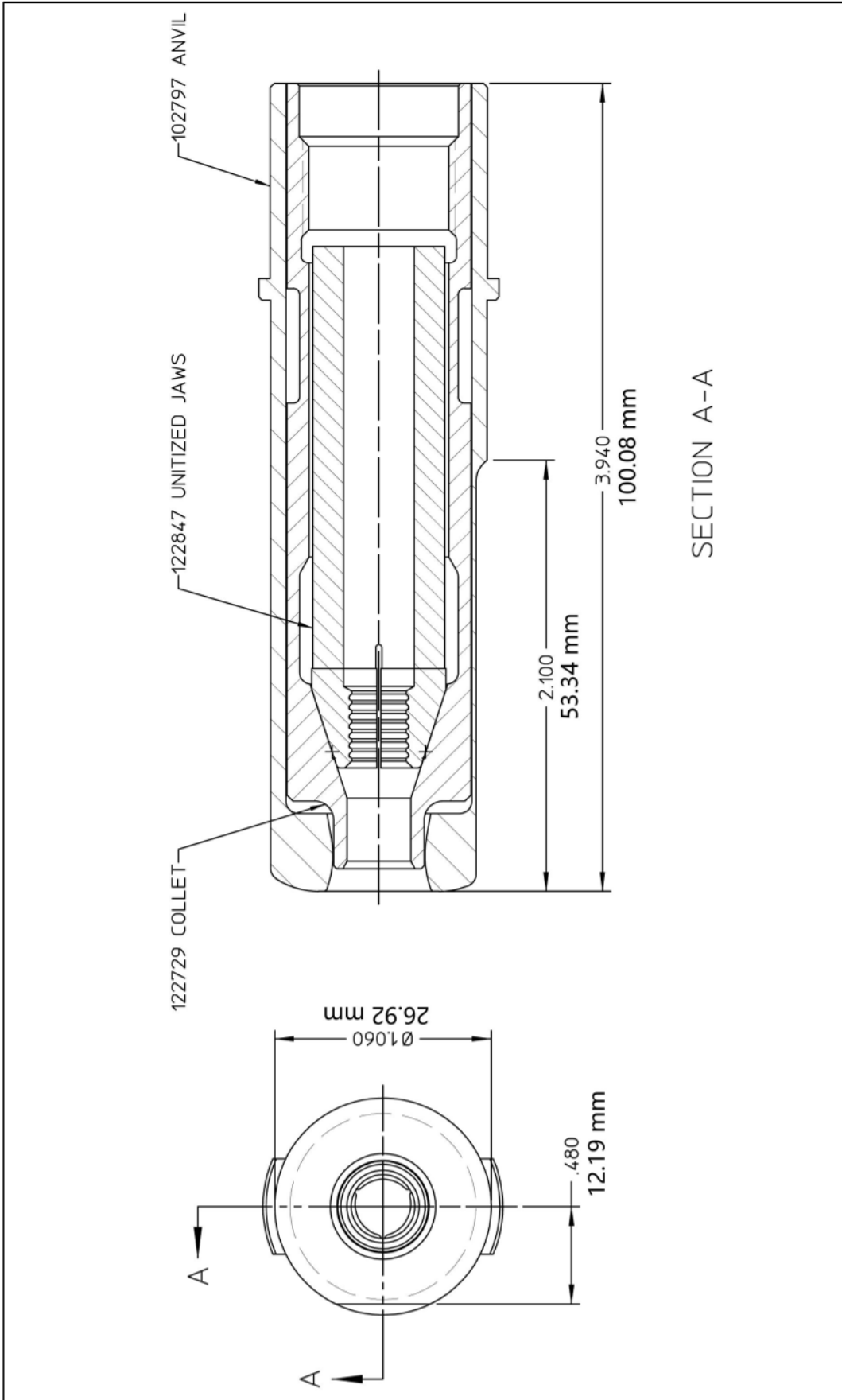


# NOSE ASSEMBLY 99-3006



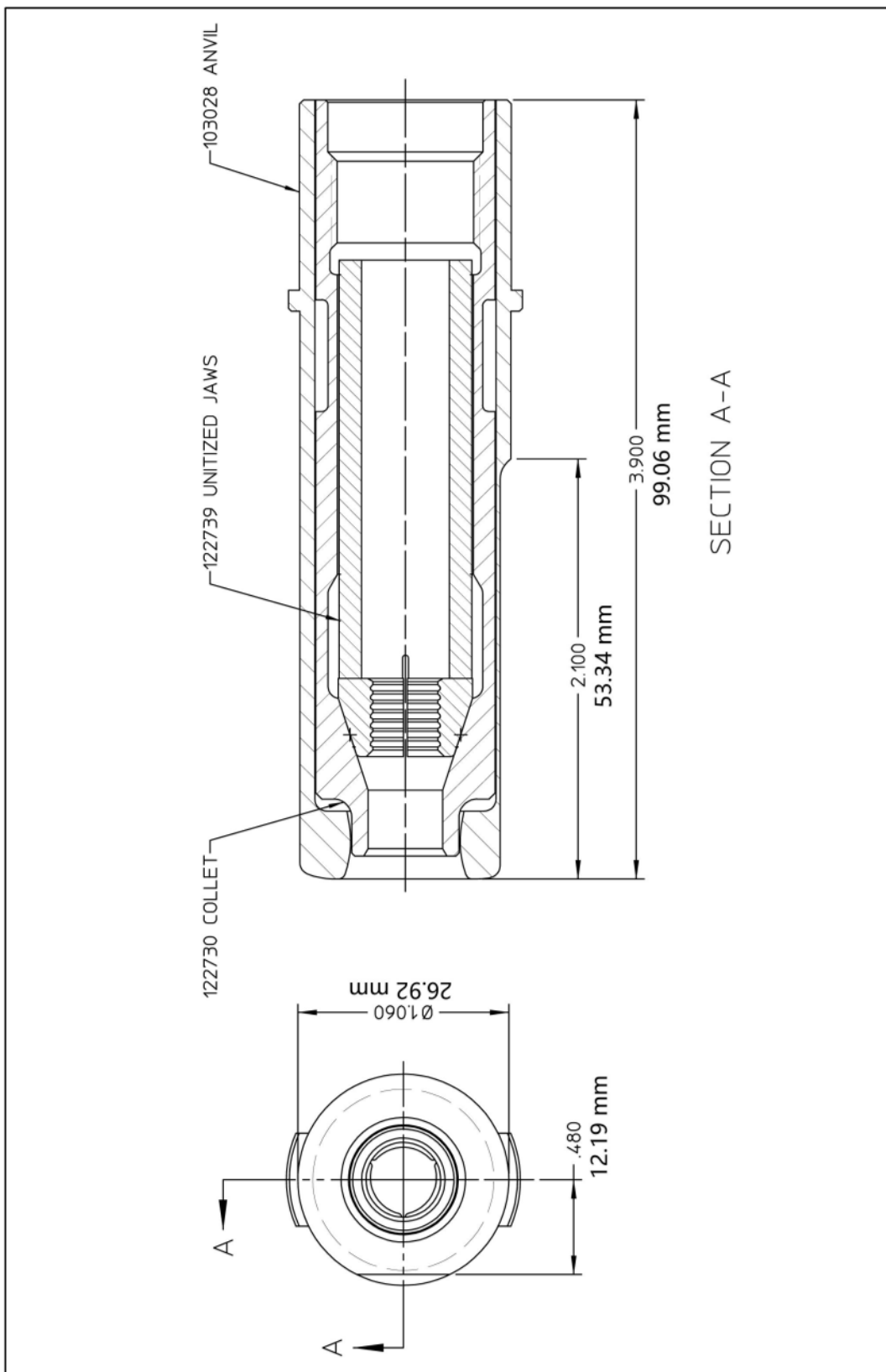


# NOSE ASSEMBLY 99-99-245



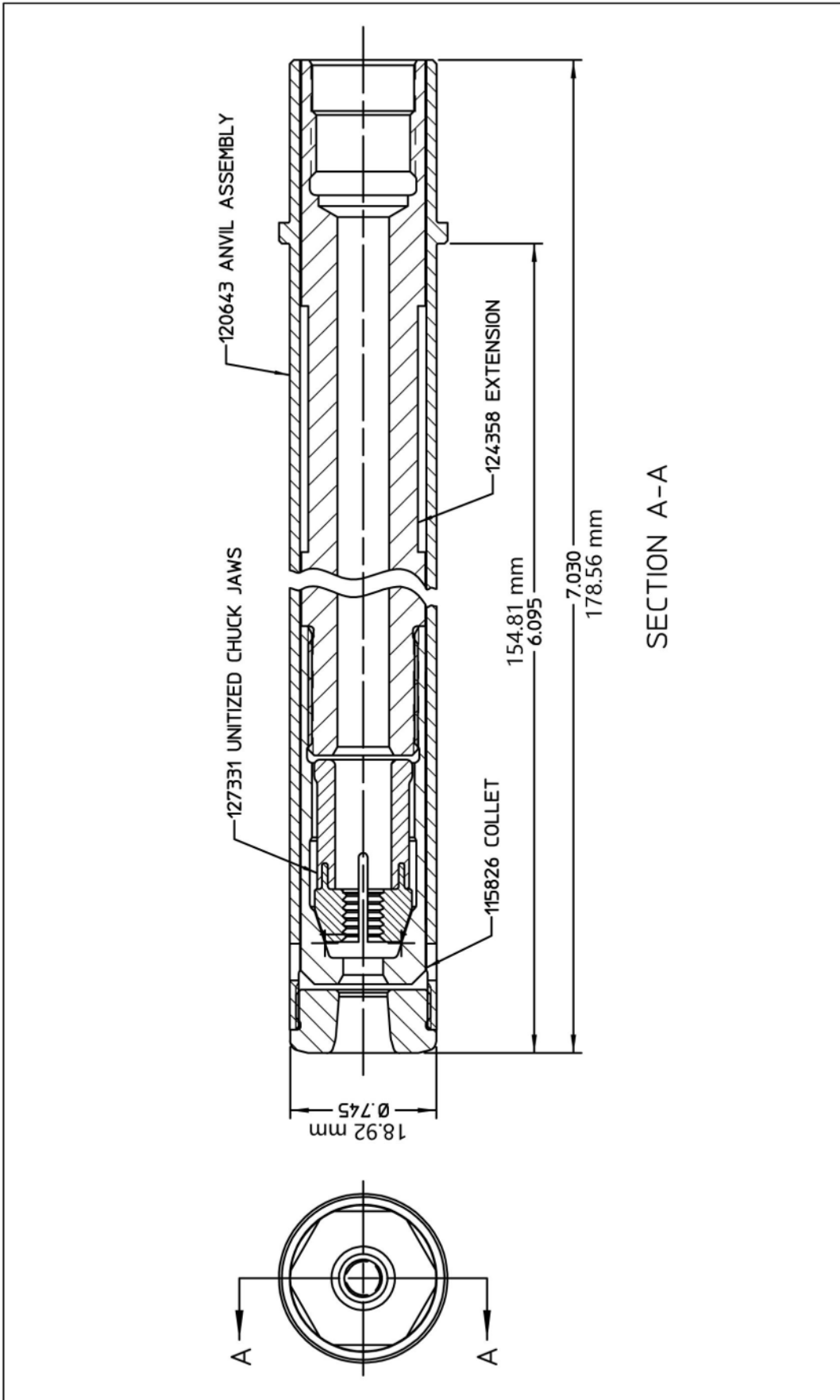


# NOSE ASSEMBLY 99-100-245



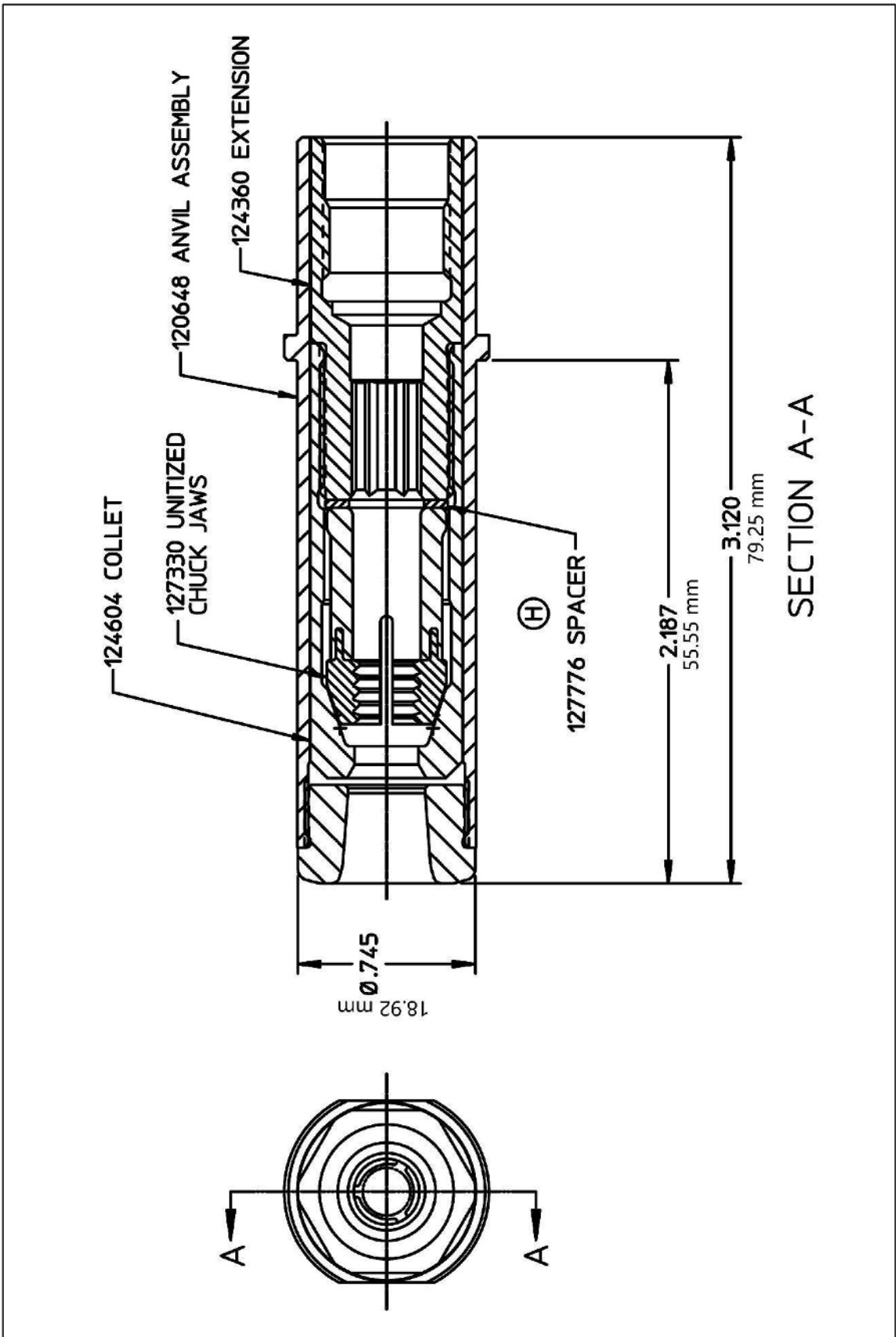


# NOSE ASSEMBLY 99-3202



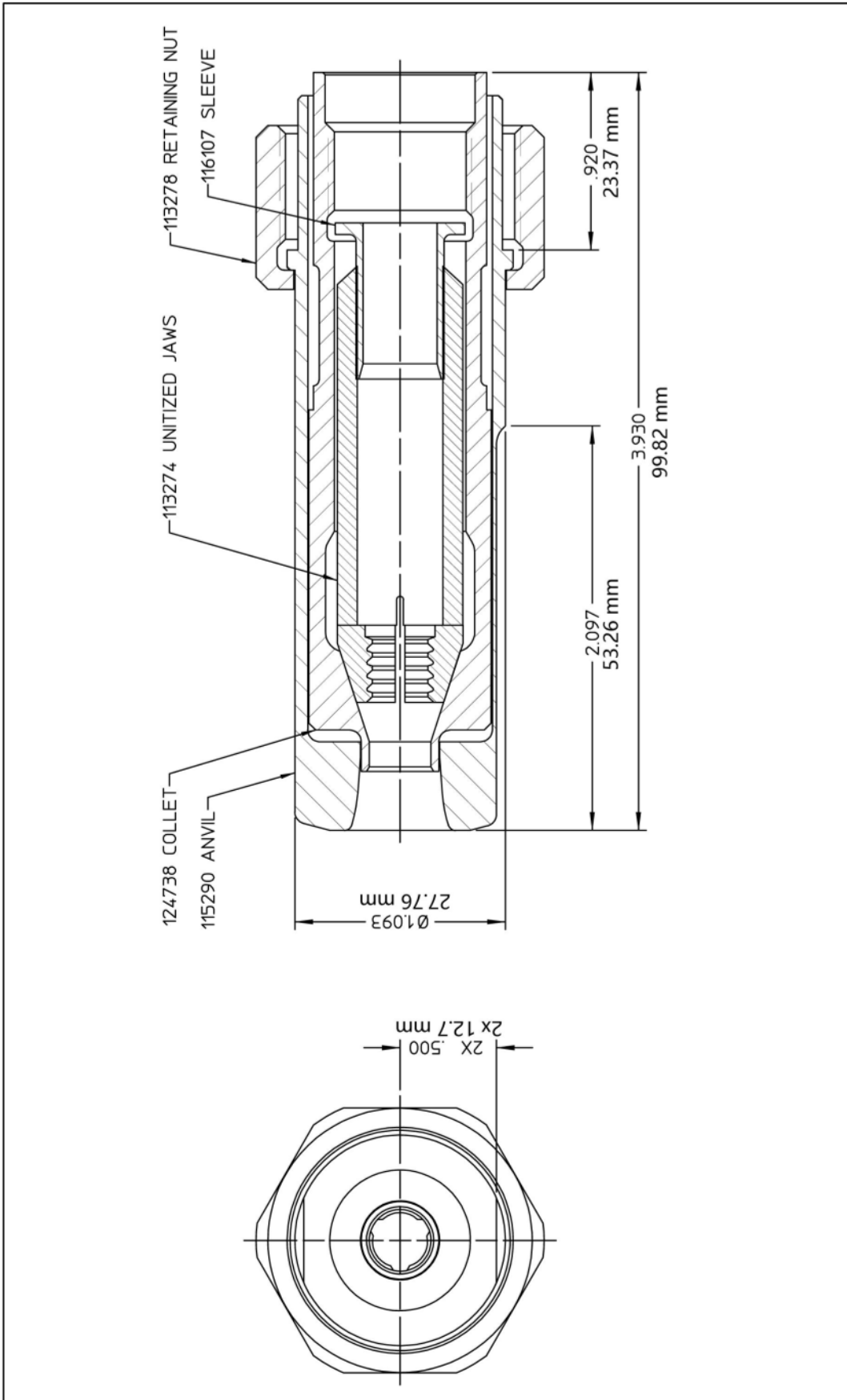


# NOSE ASSEMBLY 99-3204



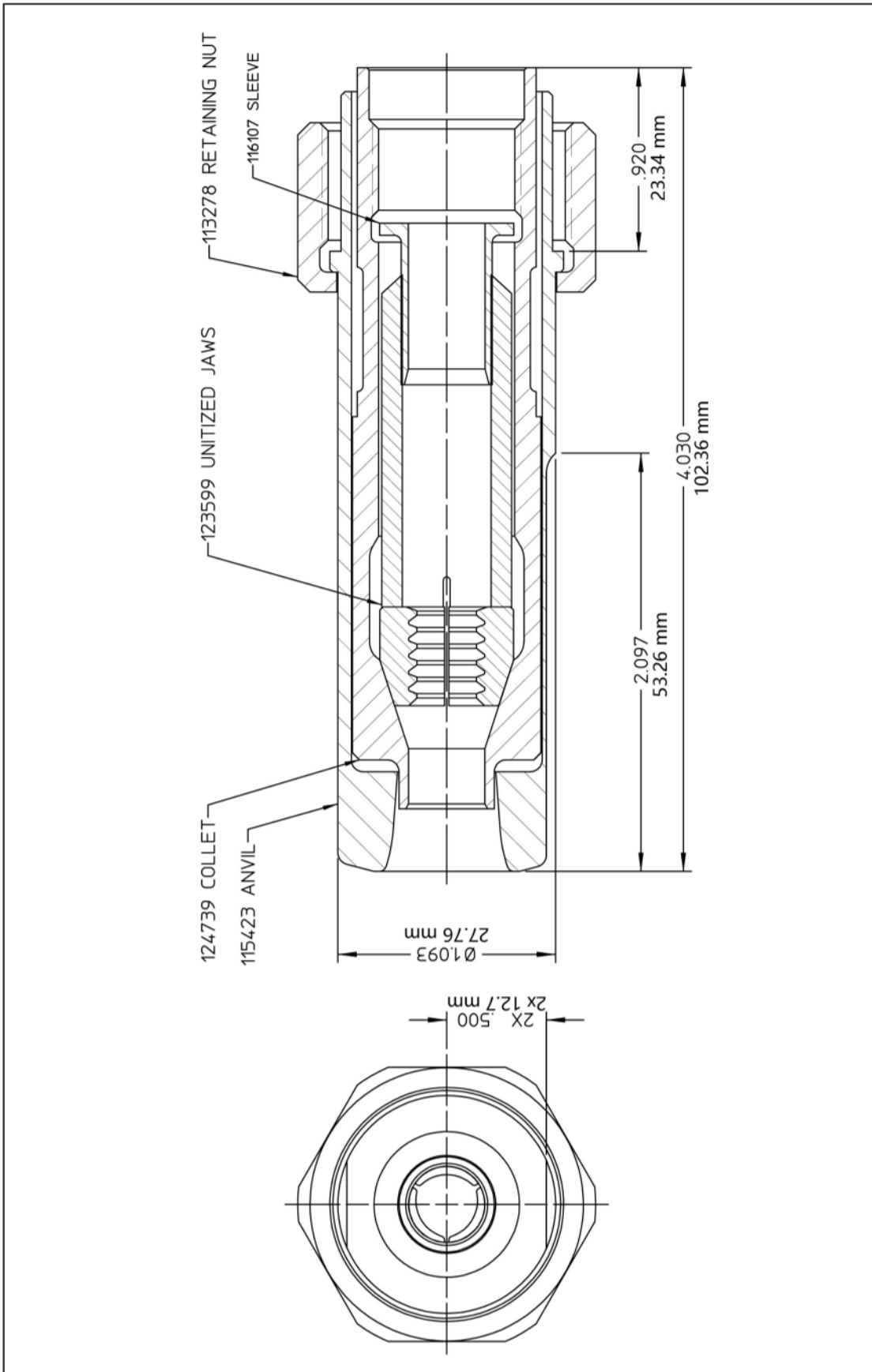


# NOSE ASSEMBLY 99-1439





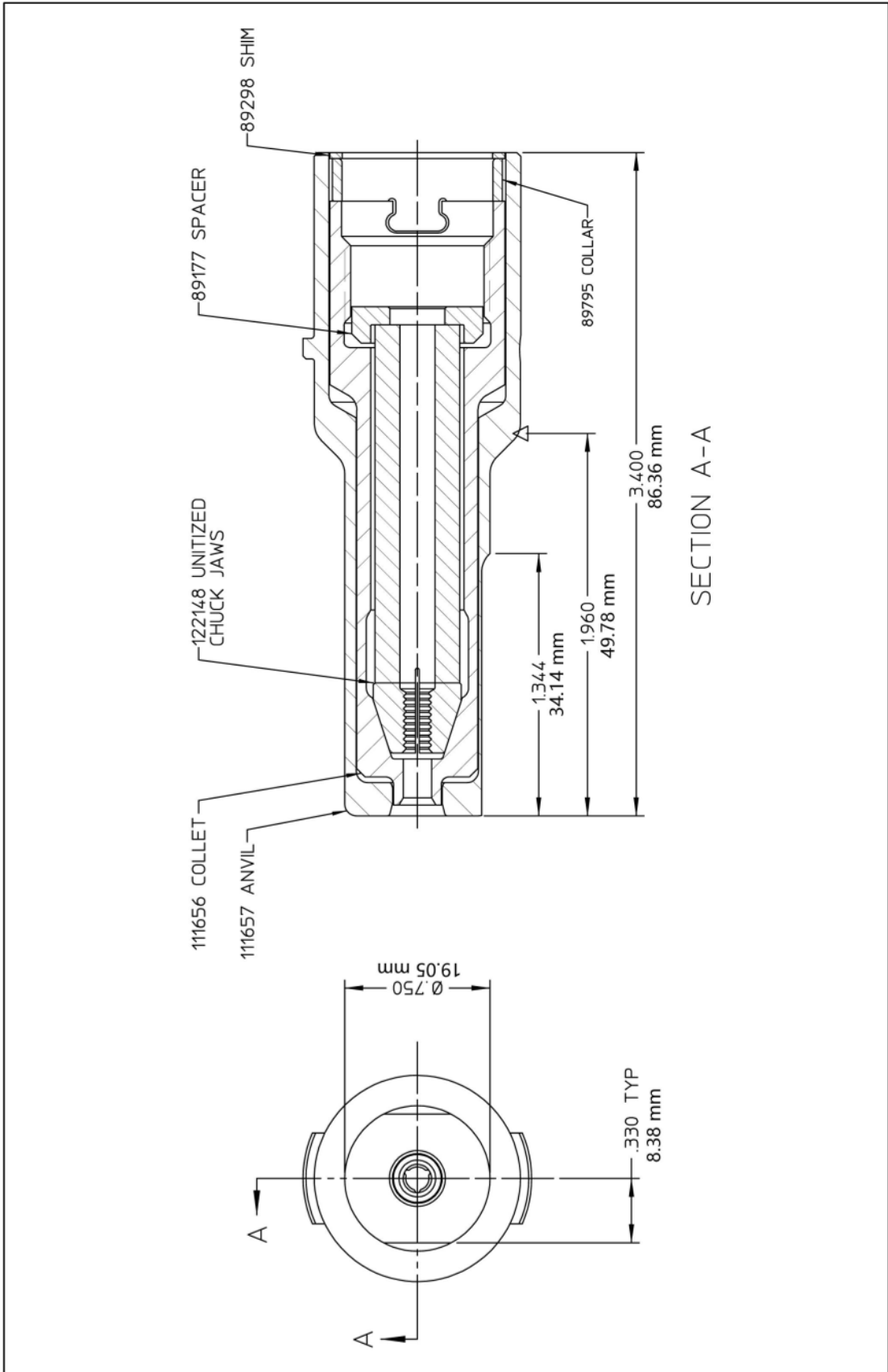
# NOSE ASSEMBLY 99-1440





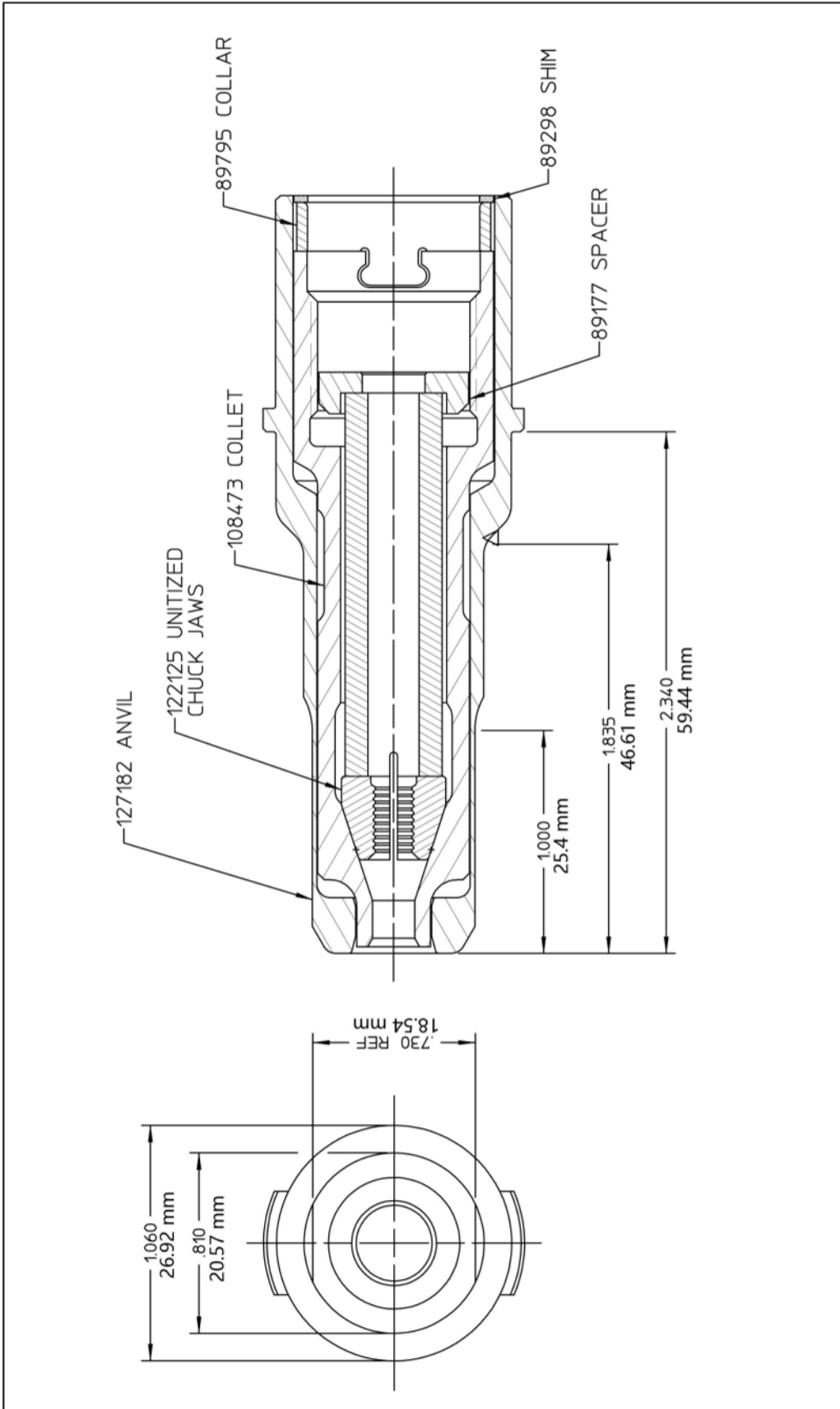


# NOSE ASSEMBLY 99-1053



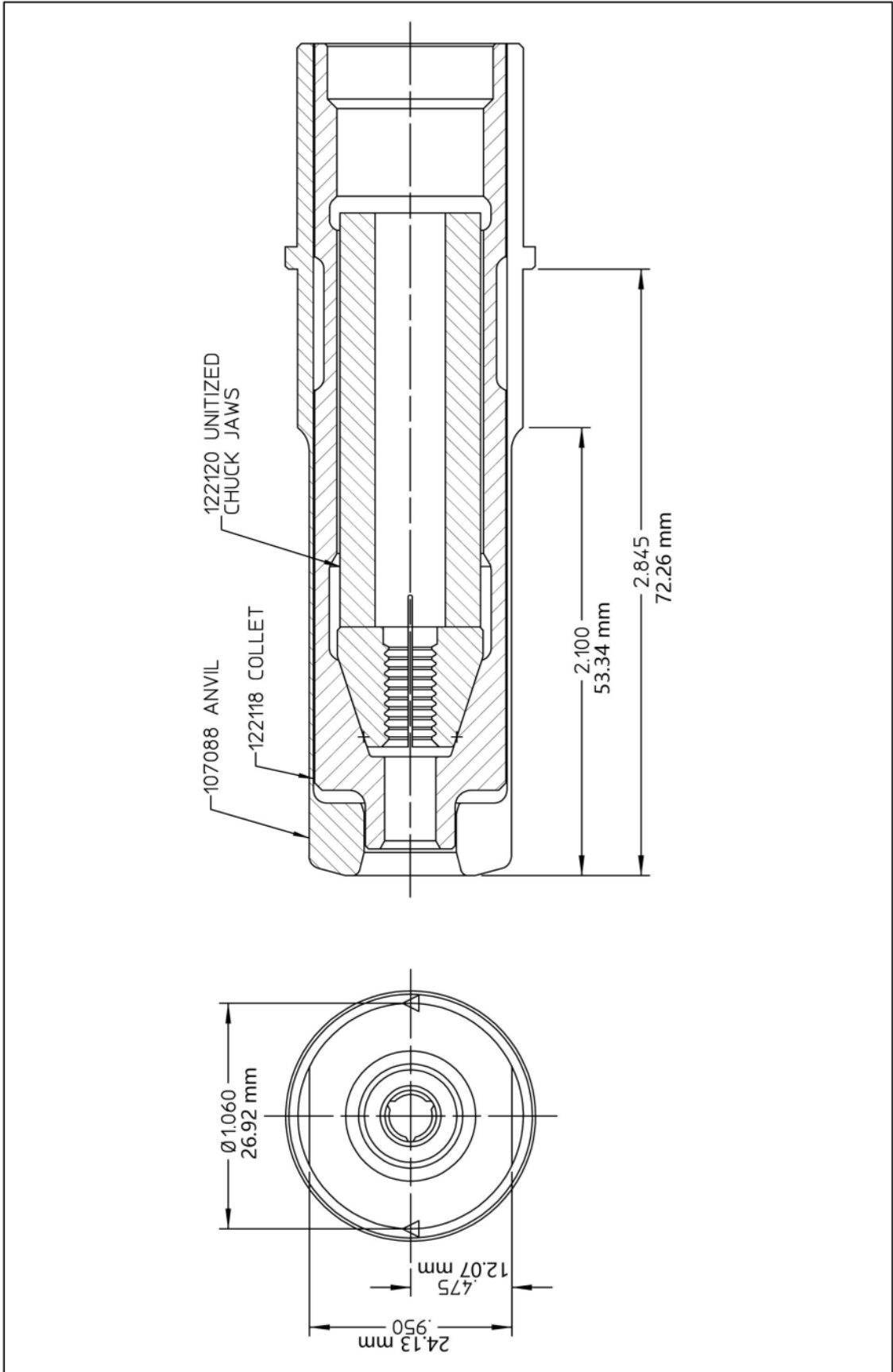


# NOSE ASSEMBLY 99-830-1



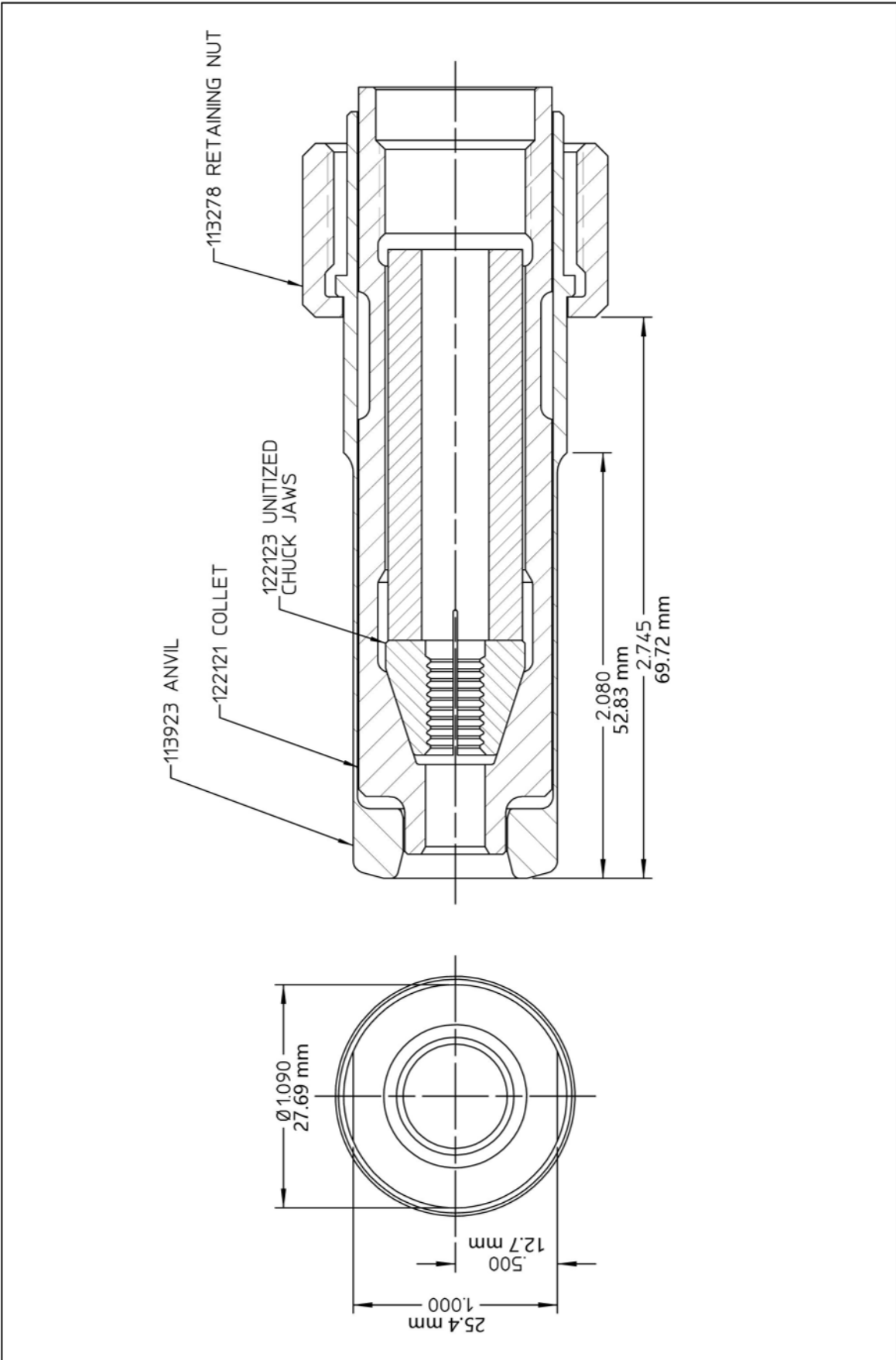


# NOSE ASSEMBLY 99-769



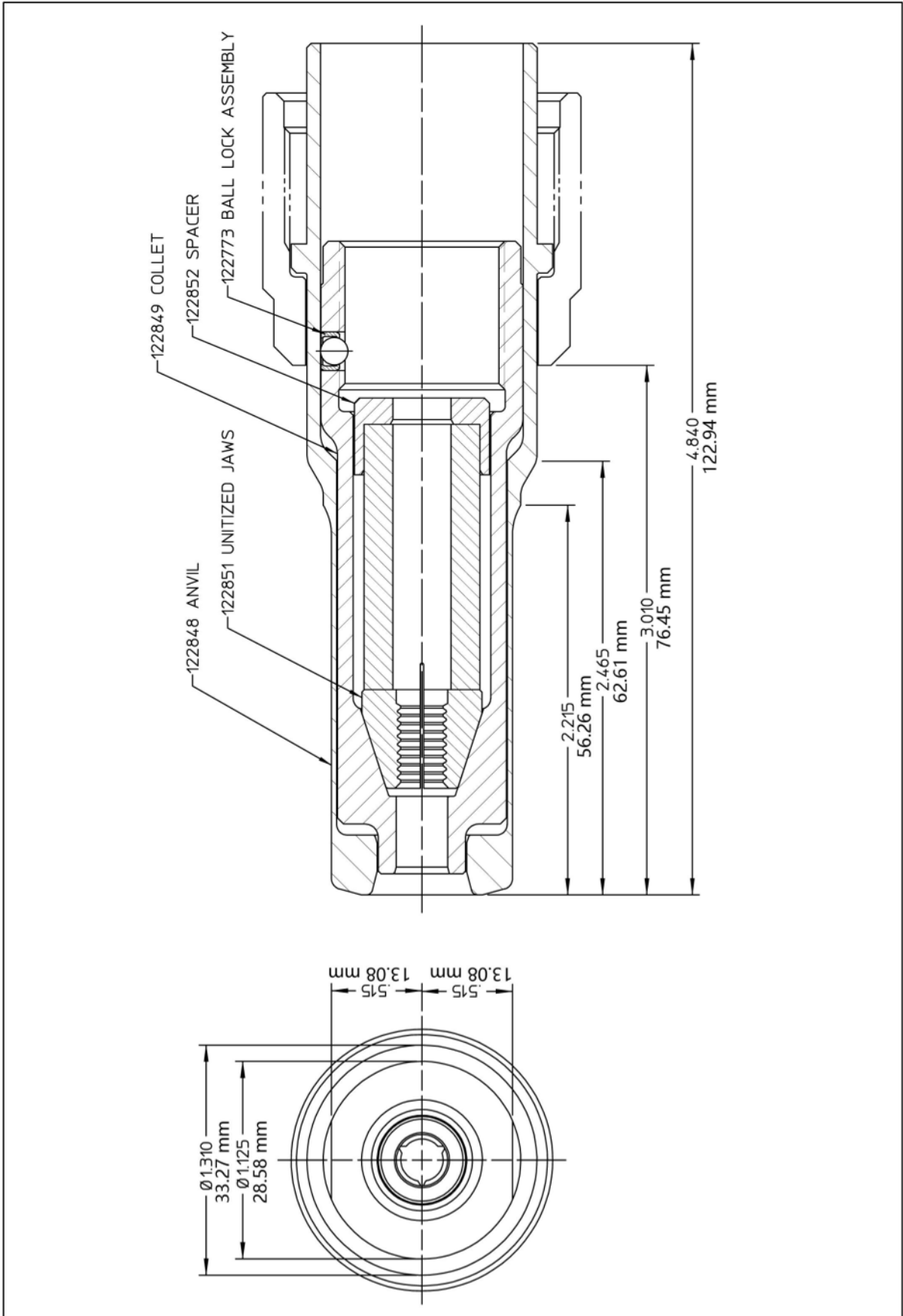


# NOSE ASSEMBLY 99-1272



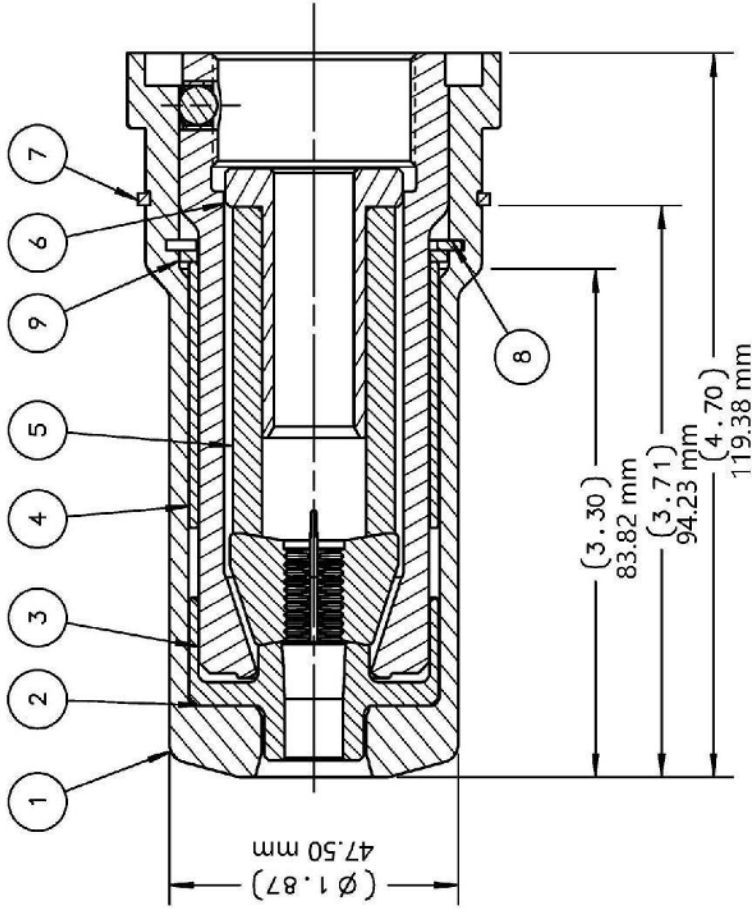


# NOSE ASSEMBLY 99-3122



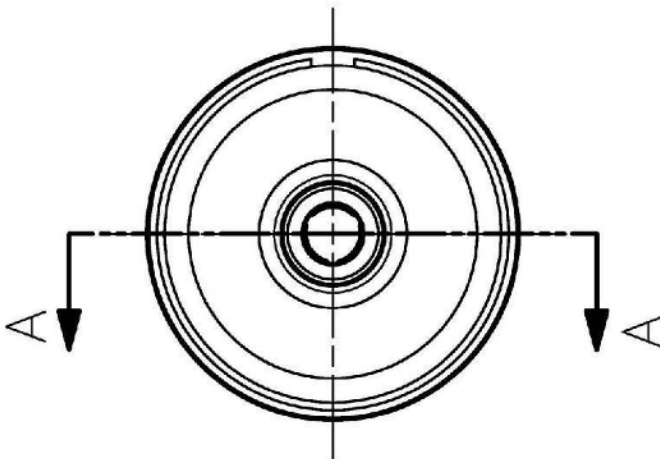


# NOSE ASSEMBLY 99-5106



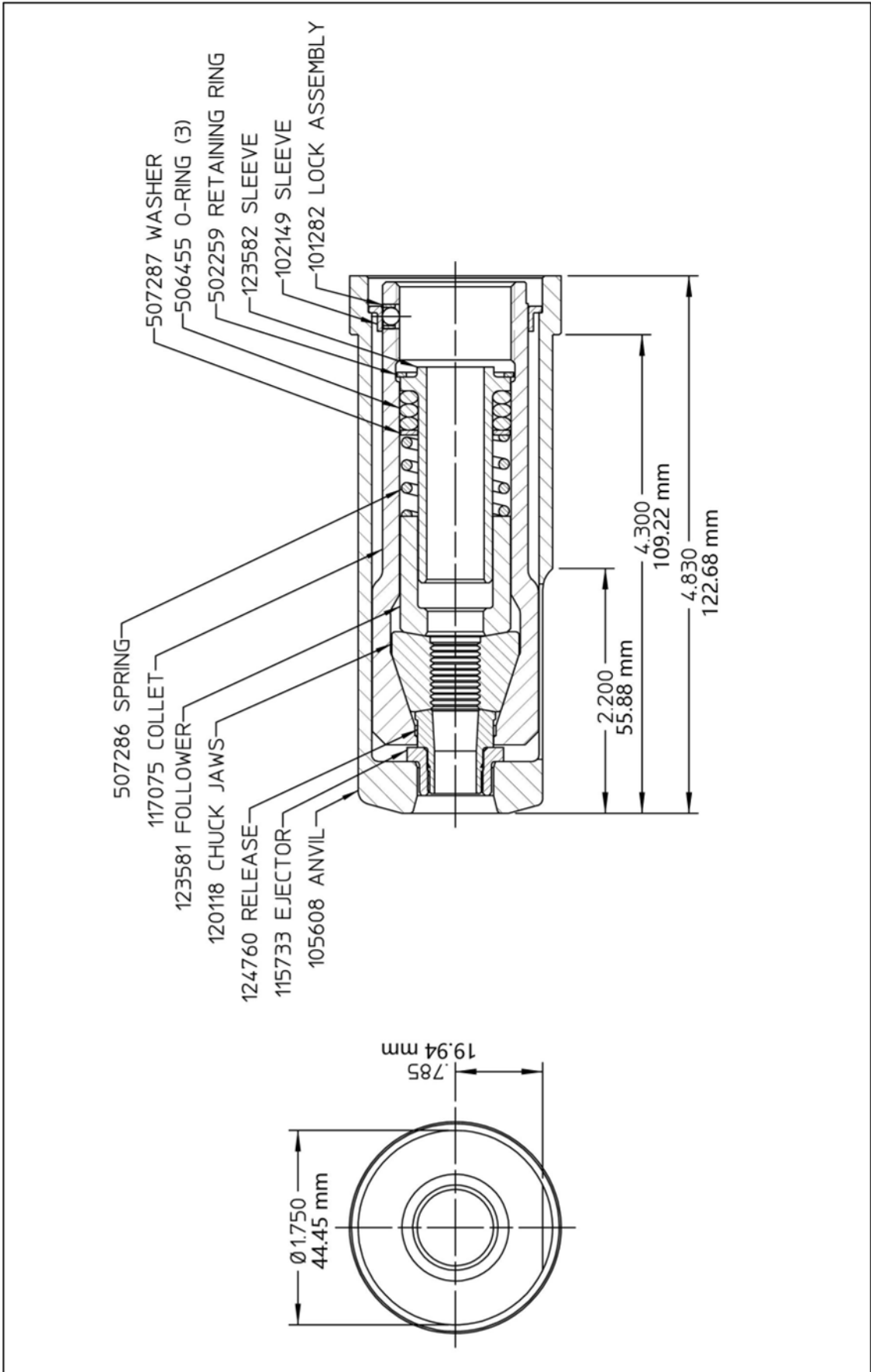
SECTION A-A

130778	1	SPACER	9
130777	1	RET RING, MODIFIED	8
501027	1	RET RING-EXT N5100-225	91 7
130658	1	SLEEVE	6
130657	1	JAW, CHUCK, 3P, -16 BOM	5
130779	1	SPACER, TUBE	4
130772	1	COLLET ASSEMBLY	3
130773	1	EJECTOR, -16 BOM	2
130774	1	ANVIL, -16 BOM	1
PART NO.	QTY	DESCRIPTION	ITEM



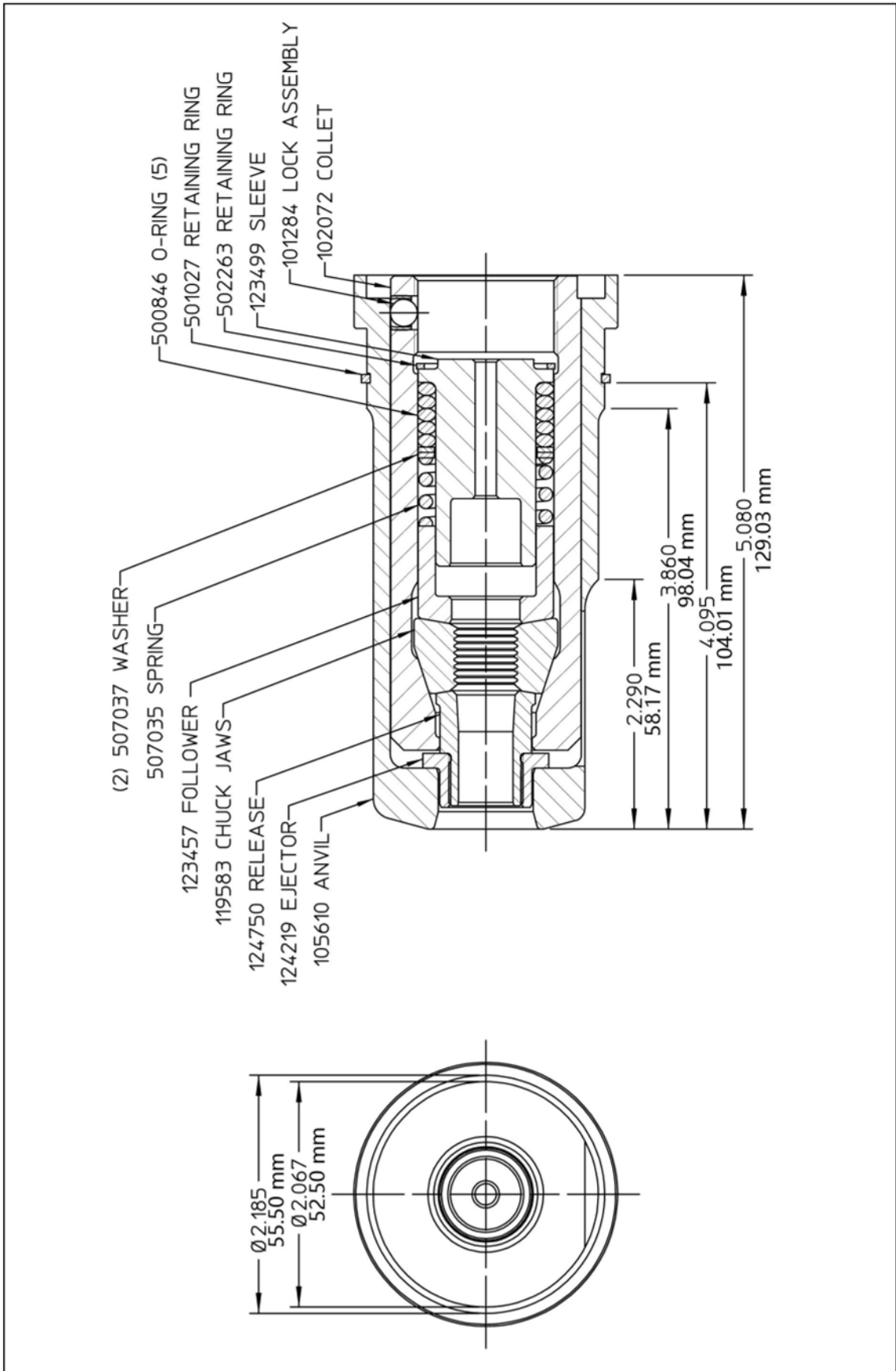


# NOSE ASSEMBLY 99-5101





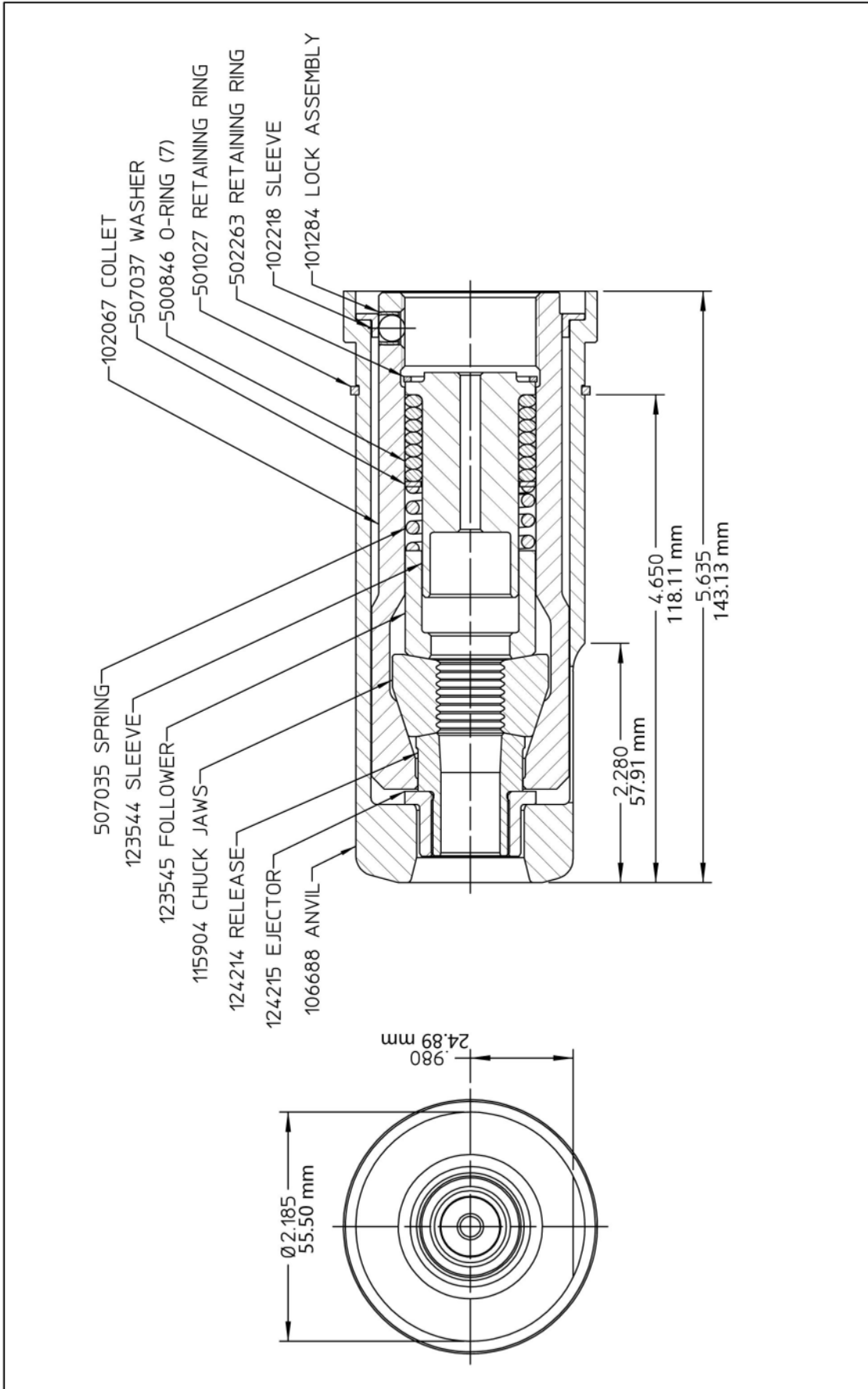
# NOSE ASSEMBLY 99-5102





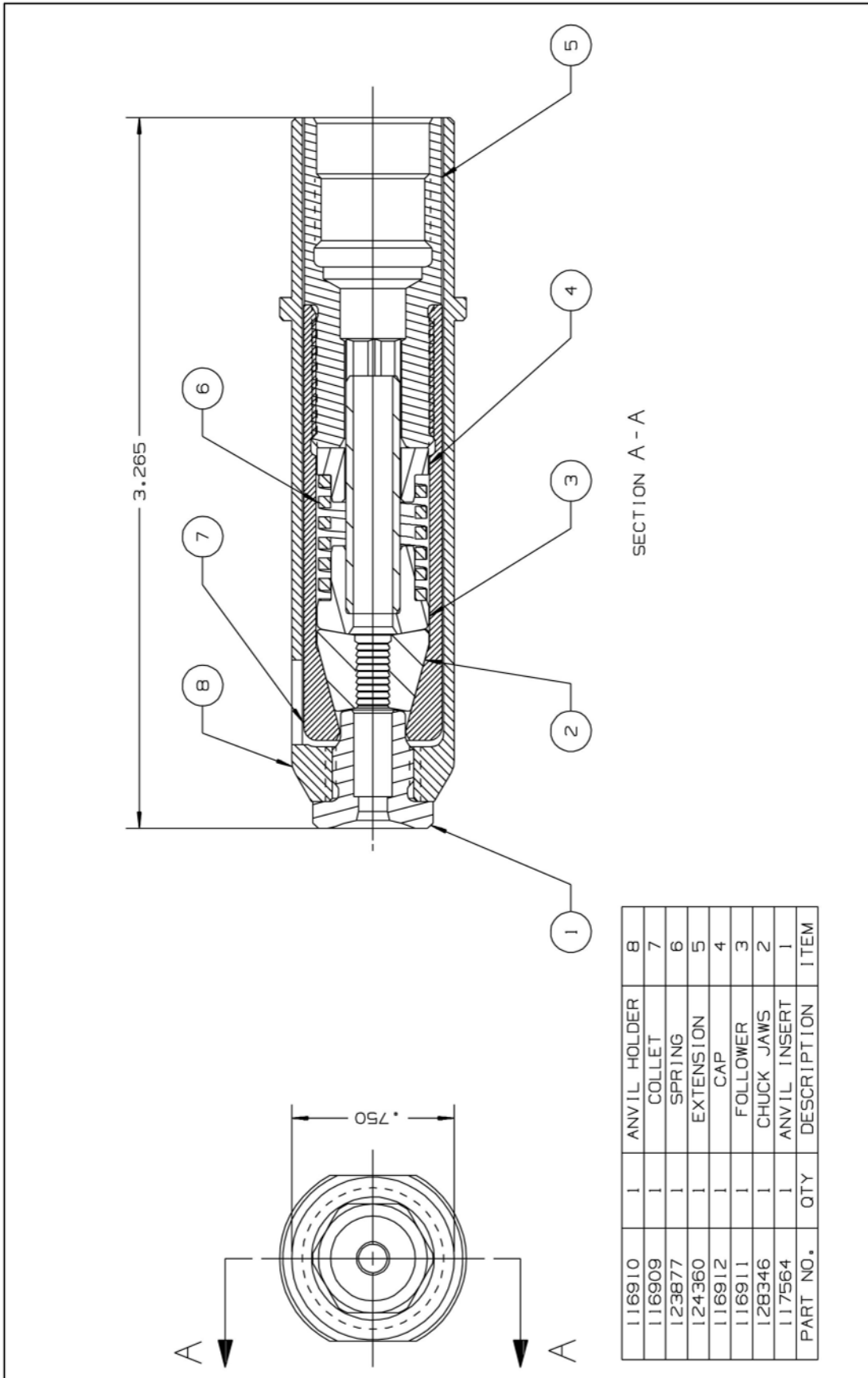


# NOSE ASSEMBLY 99-5103



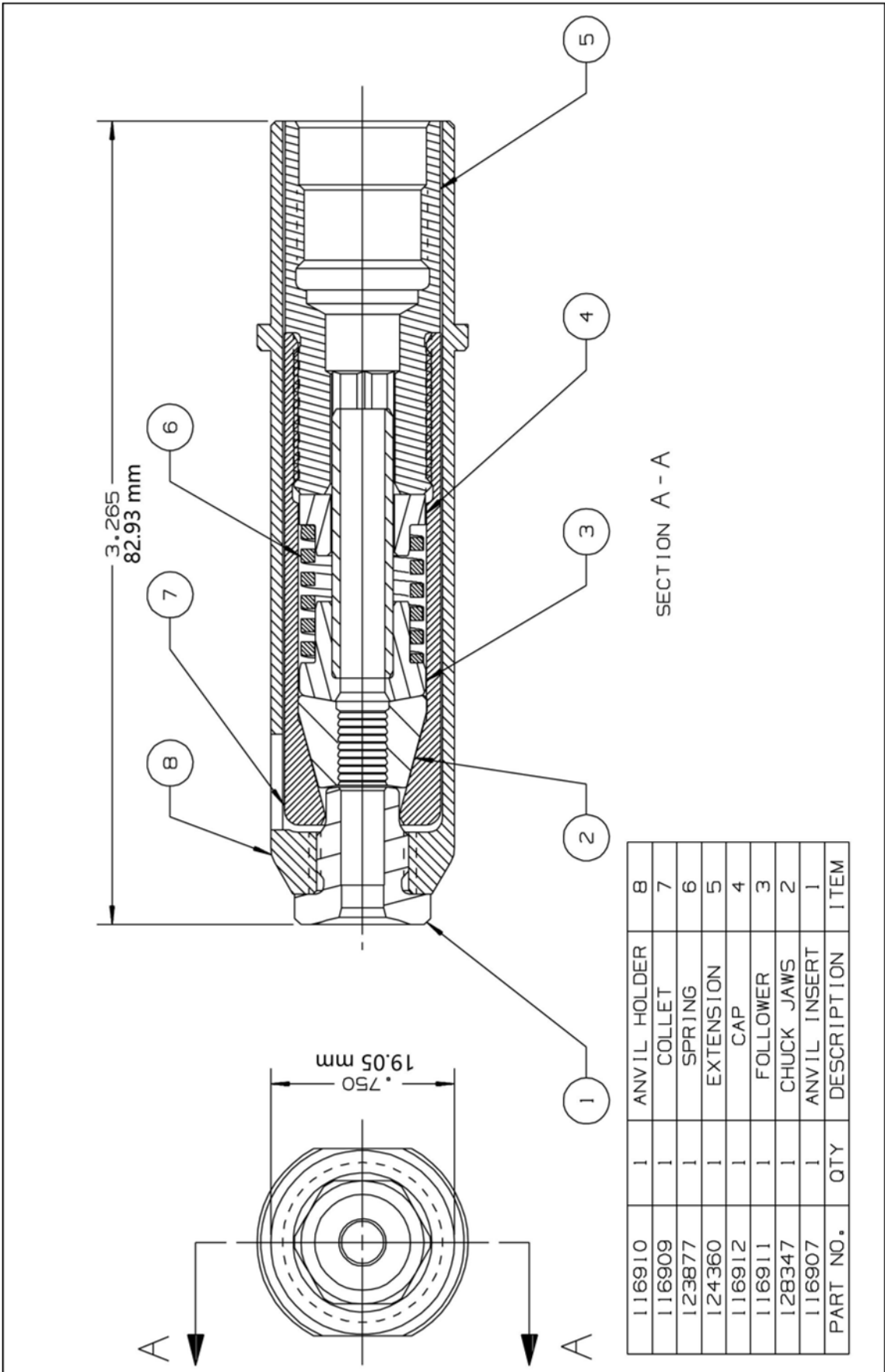


# NOSE ASSEMBLY 99-3303



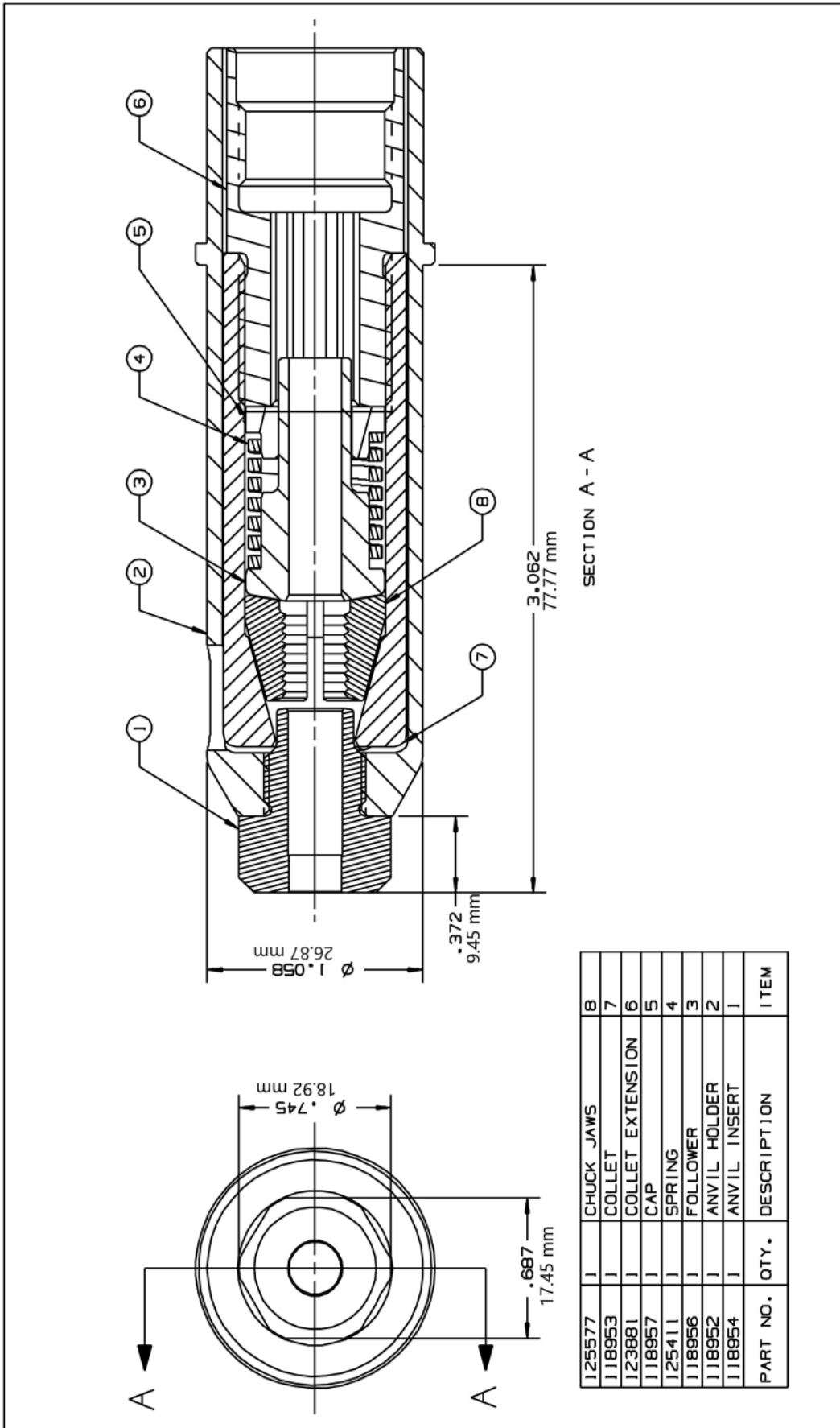


# NOSE ASSEMBLY 99-3305



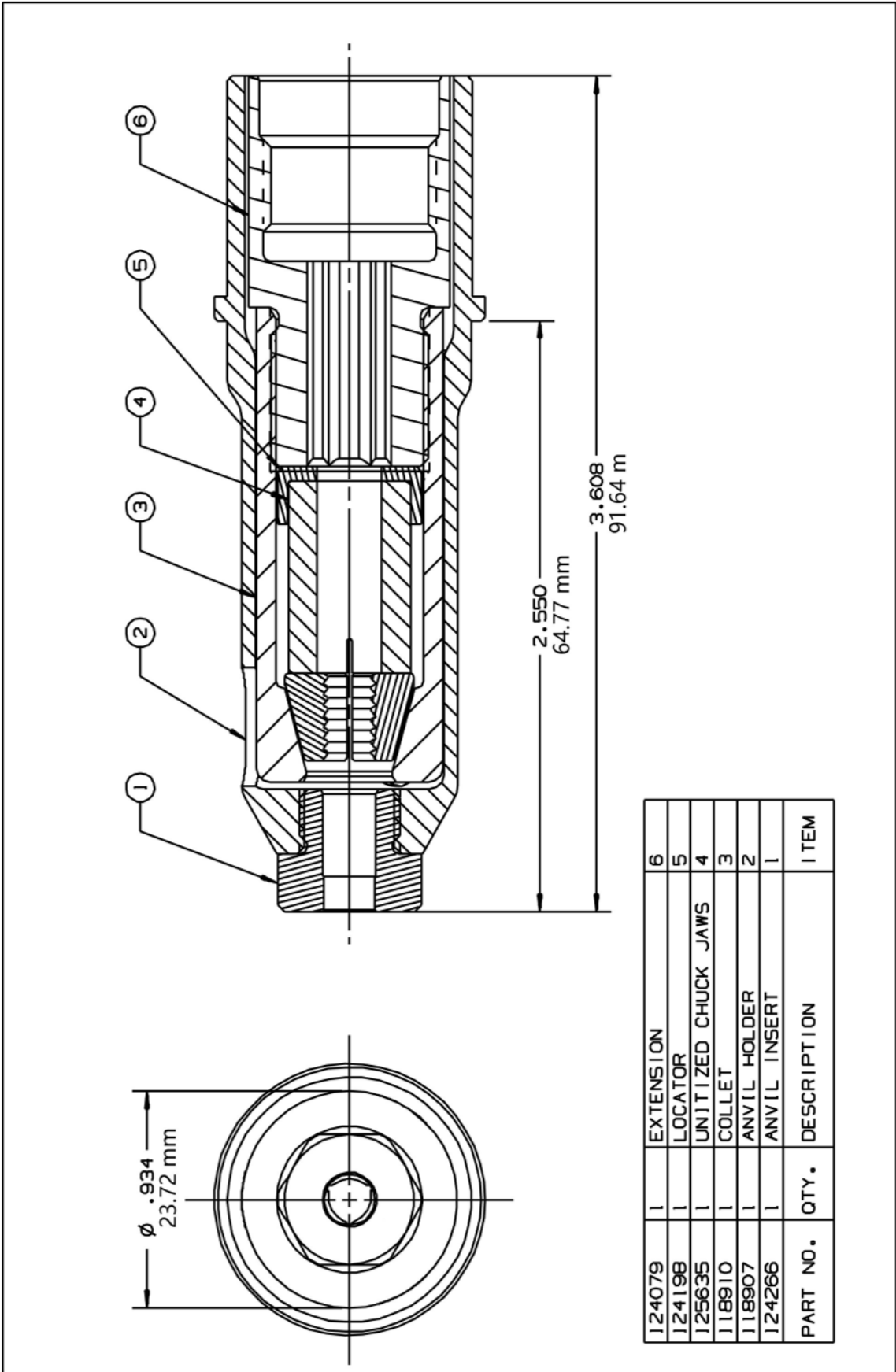


# NOSE ASSEMBLY 99-3318



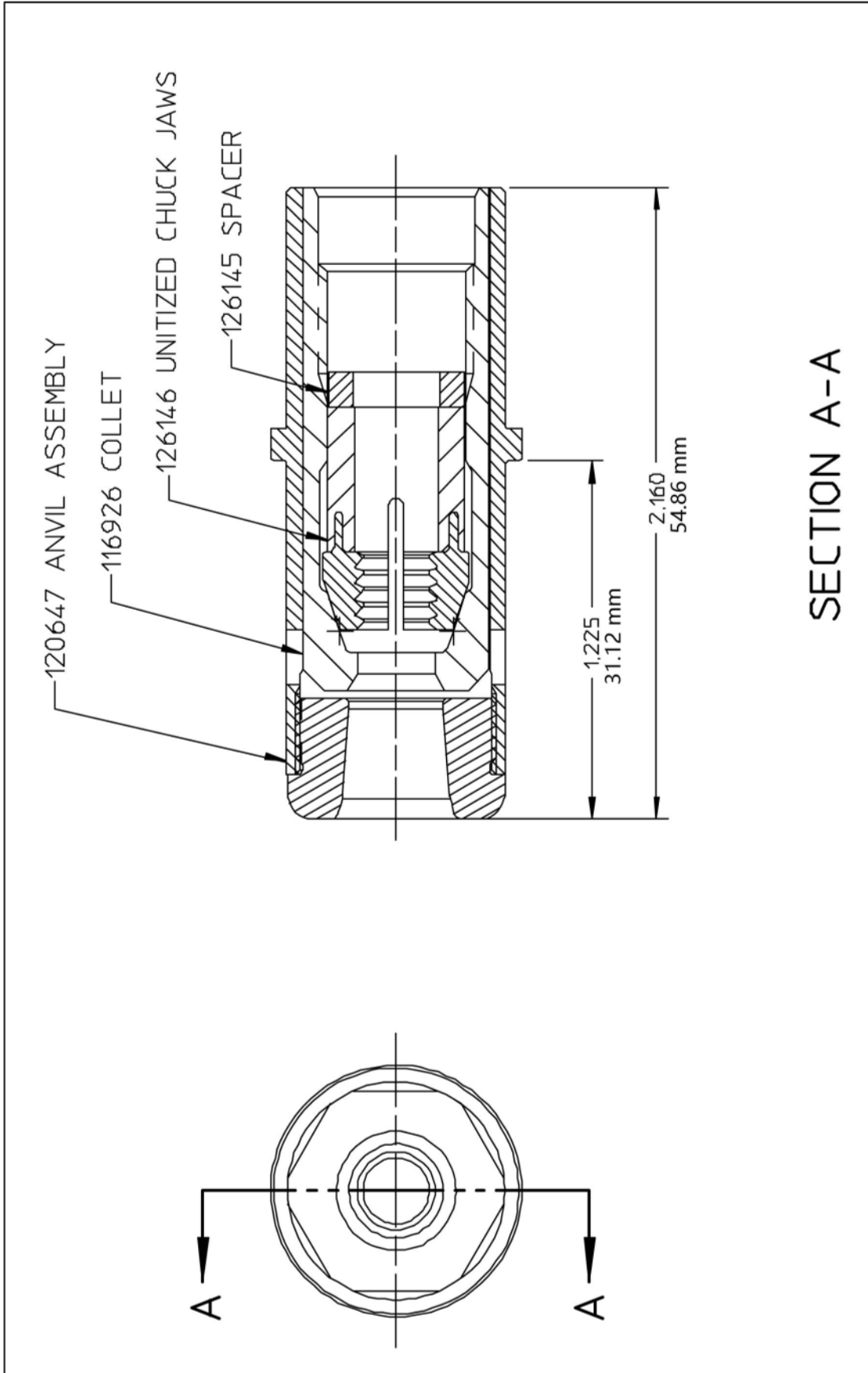


# NOSE ASSEMBLY 99-3307





# NOSE ASSEMBLY 99-3203



## POWER UNIT 432



The 432 hydraulic station provides hydraulic power for riveting tools. The riveting pressure is 550 bar, and the minimum back riveting pressure is 300 bar. The pump and engine have a cooling fan to maintain the hydraulic oil temperature at its lowest level, especially in frequent use. When the tool relay is activated, the hydraulic station automatically starts working, and at the end of the fixture installation cycle, the hydraulic station stops working when the tool piston is in the fully forward position.

The riveting tool is connected to the hydraulic station through pulling and riveting hydraulic hoses and an electric control rope. The hydraulic directional valve of the hydraulic station is controlled by the installation tool through a 24-volt DC remote control coil. The operator presses the tool relay, which will automatically cycle to start the installation of the fixed parts. When the temperature of the hydraulic oil reaches 95 ° C or exceeds the normal detected electrical current in amperes, the hydraulic station will automatically stop working.



## Technical Parameter

Model:	432
Flow (L/min):	3.20(50Hz) 3.85(60Hz)
Max Pull Pressure:	580bar / 8410psi
Max Return Pressure:	580bar / 8410psi
Power Supply:	3 × 400VAC ± 10% 50Hz 3 × 440VAC ± 10% 60Hz
Motor (1420rpm):	2.2KW
Control Coil:	24V(DC)
Standard Amperes (Depends on volts supplied):	5.2 to 9.0 (50Hz) 4.5 to 8.3 (60Hz)
Fluid Pump:	6 cylinders
Max Noise Level:	78dB
Ambient Temperature:	0-30°C (32-85°F )
Max Storage Capacity:	6.9L
Size (LxDxH):	540x470x510mm
Weight (Include Oil):	69kg







## KANTILAL & BROTHERS

Manibhuvan, Golwadnaka, LN Road, Vadodara (Gujarat). India-390001.

(M) - +91-8460616032

(E) - [info@kbfasteners.in](mailto:info@kbfasteners.in)

(W) - [www.kbfasteners.in](http://www.kbfasteners.in)

---

Crafting Dreams With Impeccable Quality