



RIG-RED™

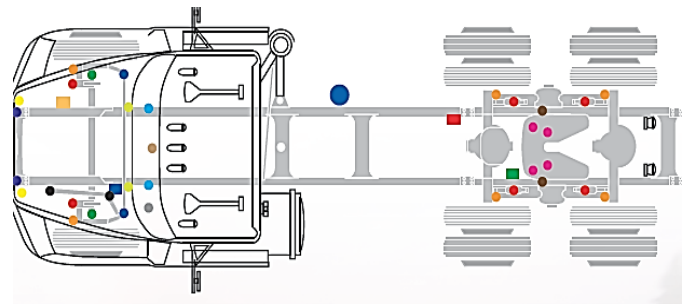
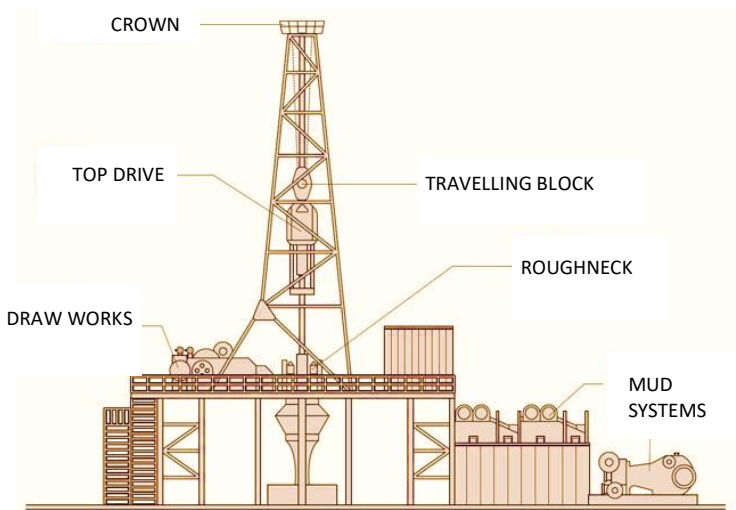
HI-TEMP OILFIELD/TRUCKING GREASE



RIG-RED™ HI-TEMP OILFIELD/TRUCKING GREASE is a heavy-duty lithium complex grease designed for high load capabilities. It is formulated with high-viscosity base oils and a synergistic combination of high-quality EP and Heavy-Duty additives. This grease also contains a tackiness additive to enhance retention on lubricant parts. In addition, it offers excellent structural and oxidation stability and high resistance to water washout.

RIG-RED™ HI-TEMP OILFIELD/TRUCKING GREASE is designed for Heavy-Duty Applications found in the oilfield and on/off road trucking

- ◆ High-viscosity base oil
- ◆ Superior oxidation resistance and rust protection
- ◆ Outstanding extreme pressure protection
- ◆ Excellent water resistance
- ◆ Good mechanical and shear stability



- Upper King Pins
- Lower King Pins
- Hood Pins
- Spring Pins
- Drag Links
- Tie Rod Ends
- Slack Adjusters
- S-Cams
- Spring Hangers
- Clutch Pedal
- Clutch Cross Shafts
- Clutch Throw Out Bearing
- 5th Wheel Plate
- 5th Wheel Pivots



RIG-RED™

HI-TEMP OILFIELD/TRUCKING GREASE



Tel: 800-925-4430 ◆ Email: info@tribo-chem.com ◆ 648 S. Houston Ave. ◆ Humble, TX 77338
HOUSTON ◆ DFW ◆ MIDLAND/ODESSA ◆ SAN ANTONIO ◆ KILGORE ◆ SHREVEPORT ◆ OKC ◆ MINOT ◆ DENVER ◆ PITTSBURG
Veteran Owned Business-Made in the USA

www.tribo-chem.com