

CUSTOM TRIM KITS

To Fit All Your Needs!



MORE TRIM KIT PRODUCTS!

- *Matching Width Kits*
- *Full Length Kits*
- *Microwave Filler Kits*
- *Cooktop Trim Kits*
- *Oven Trim Kits*
- *Range Trim Kits*
- *Refrigerator Vents*
- *Side Extensions*

MICRO-TRIM INC.

Micro-Trim: Serving Customers Since 1983

TABLE OF CONTENTS

Company Introduction	1
Custom Kits	5
Quality Fabrication	6
Microwave Trim Kits (Aluminum Options)	8
Microwave Trim Kits (Stainless Options)	9
Microwave Matching Width Kits (Aluminum Options)	10
Microwave Matching Width Kits (Stainless Options)	11
Microwave & Oven Full Length Kits	12
OTR Microwave Filler Kits	13
Range Trim Kits	14
Cooktop Trim Kits	15
Oven Fillers (Aluminum Options)	16
Oven Fillers (Stainless Option)	17
Oven Trim Kits (Aluminum Options)	18
Oven Trim Kits (Stainless Option)	19
Refrigerator Vents	20
Side Extensions	21
Special Projects	22-23
Contact Us	24

THE COMPANY

Founded in 1983, Micro-Trim, Inc. has long been known as the headquarters for the manufacturing of custom trim kits for the installation of kitchen appliances, which includes, but not limited to, microwave ovens, cooktops, wall ovens, ranges & refrigerators.

Micro-Trim employs a professional in house sales staff that will work hard to fulfill your requirements promptly, with customer friendly telephone service.

Trim kit manufacturing is our only business...and we are good at it. Give us a call today to assist you with your next installation.





CUSTOM KITS

Many new installations present a need for something other than a standard trim kit. Our ability to manufacture custom kits is unequalled and custom products make up a large percentage of our business. Installations such as: **Custom Microwave Kits** to cover existing openings larger or smaller than the recommended opening; **Matching Width Kits** that will match the width of a wall oven of a greater width; **Full Length Kits** to enclose both microwave and oven of a smaller width than the existing opening; **Oven Fillers** when replacing a wall oven of a smaller height dimension; **Oven Trim Kits** when installing a replacement wall oven into a larger cut out; **Cooktop Trim Kits** when installing a cooktop into an oversized existing countertop opening... **and many more.** The illustrations in this brochure will help you when ordering a kit from our custom line.

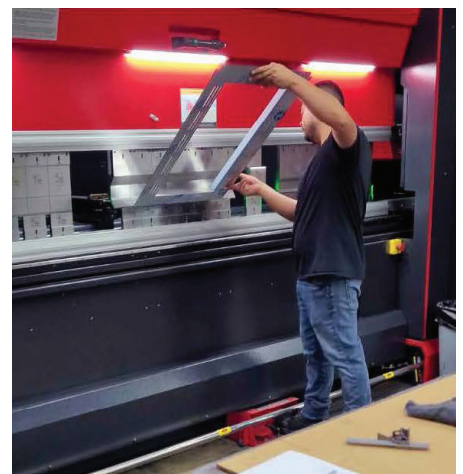


QUALITY FABRICATION

Many of our trim kits are fabricated from high quality aluminum, then color coated for a cosmetic and durable finish. Our aluminum trim kit options (black, white, and stainless steel finishes) are crafted from four separate pieces (two horizontal vents, and two vertical side pieces). Oven support runners will also be provided to put the microwave in a centered vertical position. The aluminum trim kit option has a fixed thickness profile of 1/2".

We can also fabricate the trim kit in True Stainless Steel. These trim kits are fabricated out of an 18 Gauge 304 Stainless Steel. This material allows us to fabricate a trim kit with a similar thickness profile as the microwave door, which will allow for a flush installation. These trim kits come as one piece and are installed with a set of mounting brackets. The mounting brackets will need to be fastened to the face of the cabinet with the provided screws first, and the trim kit itself will magnetize to the mounting brackets.

A complete line of kits is available to fit your personal requirements whether your project is a new home, a complete remodel, or simply an appliance change out.



QUALITY FABRICATION

TO COMPLIMENT YOUR INSTALLATION, KITS ARE AVAILABLE IN

- Black
- White
- Stainless Steel Finish
- True Stainless Steel



ANODIZED BRUSHED ALUMINUM



BLACK FINISH



WHITE FINISH



TRUE STAINLESS STEEL WITHOUT LOUVERS



TRUE STAINLESS STEEL WITH LOUVERS

MICROWAVE TRIM KITS

(Aluminum Options)

Custom Microwave Trim Kits can be designed to fit almost any desired microwave and can be cut to fit any new or pre existing cabinet opening.

Our Aluminum trim kits are fabricated from high quality aluminum, then color coated for a cosmetic and durable finish. Offered in black, white, and stainless steel finishes, these trim kits are crafted from four separate pieces (two horizontal vents, and two vertical side pieces).

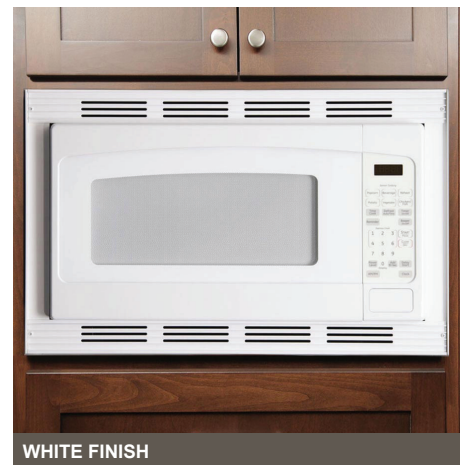
Microwave support runners will also be provided to put the microwave in a centered vertical position. The aluminum trim kit option has a fixed thickness profile of 1/2" and is exclusively offered with front vents.



ANODIZED BRUSHED ALUMINUM



BLACK FINISH



WHITE FINISH

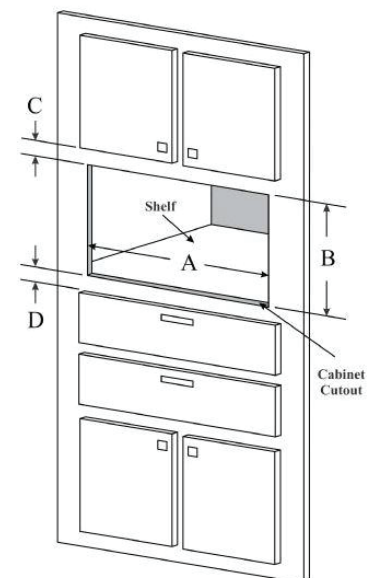
THINGS TO REMEMBER WHEN ORDERING:

The following information is required when ordering a **MICROWAVE TRIM KIT**:

1. Microwave Manufacturer's Name and Model Number
2. Existing Cutout Size, if any (see drawing)

Since microwaves vary greatly in size, there may be occasions where additional measurements may be required to ensure a properly fitting kit.

NOTE: If your microwave is above a wall oven, see **MICROWAVE MATCHING WIDTH KIT (P 10-11)**.



MICROWAVE TRIM KITS

(Stainless Steel Options)

Our Stainless Steel trim kits are fabricated from high quality 18 Gauges 304 Stainless Steel. These trim kits come as one piece and are installed with a set of mounting brackets. The mounting brackets will be fastened to the face of the cabinet with the provided screws, and the trim kit will magnetize to the mounting brackets. Microwave support runners will also be provided to put the microwave in a centered vertical position. This option will sit flush with the microwave door. Offered With or Without Louvers.



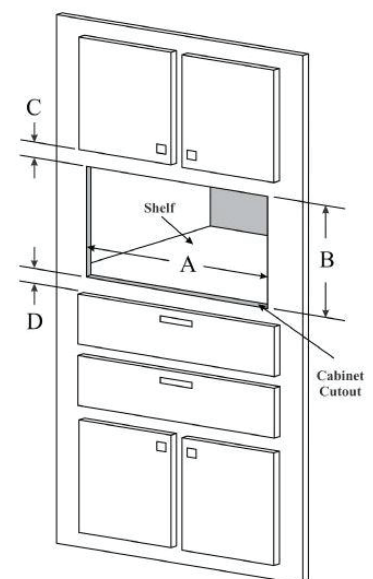
THINGS TO REMEMBER WHEN ORDERING:

The following information is required when ordering a **MICROWAVE TRIM KIT**:

1. Microwave Manufacturer's Name and Model Number
2. Existing Cutout Size, if any (see drawing)

Since microwaves vary greatly in size, there may be occasions where additional measurements may be required to ensure a properly fitting kit.

NOTE: If your microwave is above a wall oven, see **MICROWAVE MATCHING WIDTH KIT (P 10-11)**.



MICROWAVE MATCHING WIDTH KITS

(Aluminum Options)



ANODIZED BRUSHED ALUMINUM

Microwave Matching Width Trim Kits are used on installations when the width of the microwave oven is less than the width of the wall oven, and matching widths are desired.

Our Aluminum trim kits are fabricated from high-quality aluminum, then color coated for a cosmetic and durable finish. Offered in black, white, and stainless steel finishes, these trim kits are crafted from four separate pieces (two horizontal vents, and two vertical side pieces). Microwave support runners will be provided to put the microwave in a centered vertical position. The aluminum trim kit option has a fixed thickness profile of 1/2" and is exclusively offered with front vents.



BLACK FINISH



WHITE FINISH

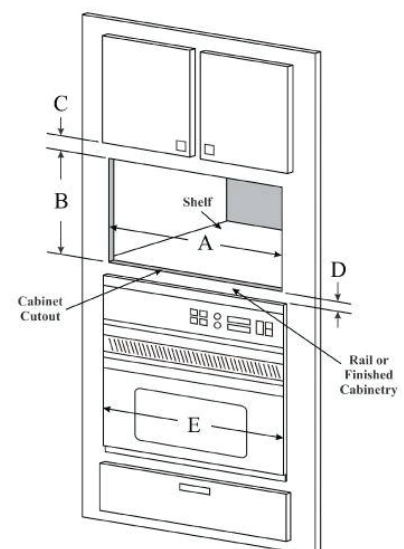
THINGS TO REMEMBER WHEN ORDERING:

The following information is required when ordering a **MICROWAVE MATCHING WIDTH TRIM KIT**:

1. Microwave Manufacturer's Name and Model Number
2. Wall Oven Manufacturer's Name and Model Number
3. Existing Cutout Size, if any (see drawing)

Since microwaves vary greatly in size, there may be occasions where additional measurements may be required to ensure a properly fitting kit.

NOTE: If your microwave is not above a wall oven, see **MICROWAVE TRIM KITS (P 8-9)**.



MICROWAVE MATCHING WIDTH KITS

(Stainless Steel Options)



TRUE STAINLESS STEEL - WITH LOUVERS

Microwave Matching Width Trim Kits are used on installations when the width of the microwave oven is less than the width of the wall oven, and matching widths are desired.

The Stainless Steel trim kits come as one piece and are installed with a set of mounting brackets. The mounting brackets will need to be fastened to the face of the cabinet with the provided screws first, and the trim kit itself will magnetize to the mounting brackets. Microwave support runners will also be provided to put the microwave in a centered vertical position.

Offered With or Without Louvers.



TRUE STAINLESS STEEL - WITHOUT LOUVERS

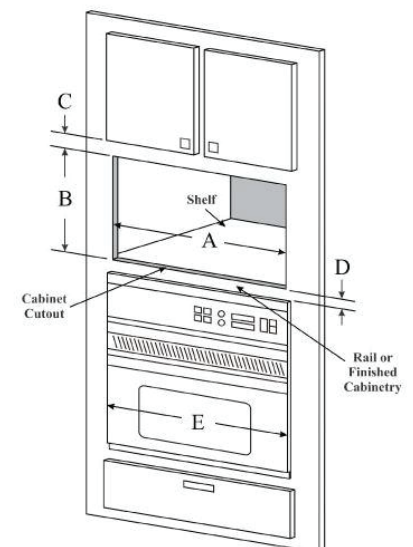
THINGS TO REMEMBER WHEN ORDERING:

The following information is required when ordering a **MICROWAVE TRIM KIT**:

1. Microwave Manufacturer's Name and Model Number
2. Wall Oven Manufacturer's Name and Model Number
3. Existing Cutout Size, if any (see drawing)

Since microwaves vary greatly in size, there may be occasions where additional measurements may be required to ensure a properly fitting kit.

NOTE: If your microwave is not above a wall oven, see **MICROWAVE TRIM KITS (P 8-9)**.



MICROWAVE & OVEN FULL LENGTH TRIM KITS

(Exclusively in Aluminum)



Offered in black, white and stainless finishes, these trim kits are crafted from multiple pieces that will be assembled for installation. Oven support runners will be provided to put the microwave in a centered vertical position.

Full Length Trim Kits are used on installations when the microwave opening is a greater width than the lower wall oven, and a full length one piece trim kit look is desired. Full Length Trim Kits are fabricated from high quality aluminum, then color coated for a cosmetic and durable finish.

REQUIRED INFORMATION WILL VARY GREATLY DEPENDING ON THE INSTALLATION. PLEASE REFER TO THE GUIDES ON OUR FULL LENGTH TRIM KITS PRODUCT PAGE FOR MORE INFORMATION OR CALL OUR OFFICE AT 800-338-8746.

OVER THE RANGE MICROWAVE FILLER KITS



TRUE STAINLESS STEEL

Over The Range Microwave Filler Kits are used when installing a 30" over the range microwave into a 36" opening. Custom sizes are available for openings that are larger or smaller than 36".

These fillers are offered in Stainless Steel, Black, and White. These L shaped fillers will mount against the left and right side cabinet with provided screws.

AVAILABLE STANDARD SIZES:

- 3" w x 15 3/4" h x 11" d
- 3" w x 17 1/4" h x 11" d
- 6" w x 15 3/4" h x 11" d



BLACK FINISH



WHITE FINISH



TRUE STAINLESS STEEL

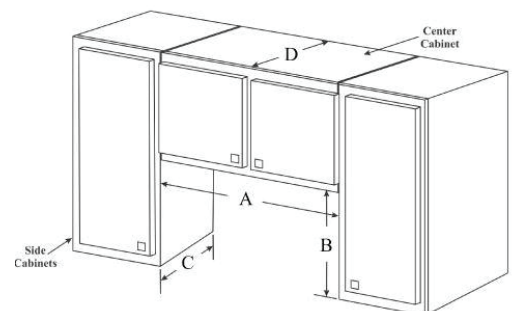
THINGS TO REMEMBER WHEN ORDERING:

The following information is required when ordering a **OTR MICROWAVE FILLER KIT**:

1. Microwave Manufacturer's Name and Model Number
2. Existing Opening Size, (see drawing)

IMPORTANT:

OTR MICROWAVE FILLER KIT must be installed before the microwave.



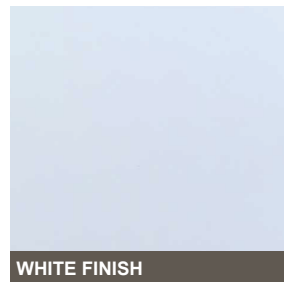
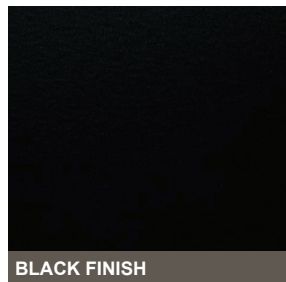
RANGE TRIMS



Range Trims are used for many slide in, freestanding or drop in ranges. These can be used to fill gaps on the back and/or sides of the range. Range trims alleviate the expense of replacing your countertops.

Aluminum Range Trims are offered in 3 colors (black, white, and stainless steel finish); they are fabricated from flat pieces that abut to the sides or back edges of the range. These trims will adhere to the countertop for installation.

Stainless Steel Range Trims are offered in 304 Stainless Steel (True Stainless Steel); this material allows more design flexibility to better fit your needs.



REQUIRED INFORMATION WILL VARY GREATLY DEPENDING ON THE INSTALLATION. PLEASE REFER TO THE GUIDES ON OUR RANGE TRIMS PRODUCT PAGE FOR MORE INFORMATION OR CALL OUR OFFICE AT 800-338-8746.

COOKTOP TRIM KITS



ANODIZED BRUSHED ALUMINUM

Cooktop Trim Kits are used when installing almost any desired cooktop into an oversized, existing countertop opening. These kits alleviate the extra expense of retiling or replacing the existing countertops. The greatest benefit of using a Micro-Trim cooktop trim kit is to allow a greater variety of cooktop choices.

These trim kits are offered in aluminum (black, white, stainless finish) & True Stainless Steel (18 gauge stainless steel).



ANODIZED BRUSHED ALUMINUM



BLACK FINISH



WHITE FINISH



TRUE STAINLESS STEEL

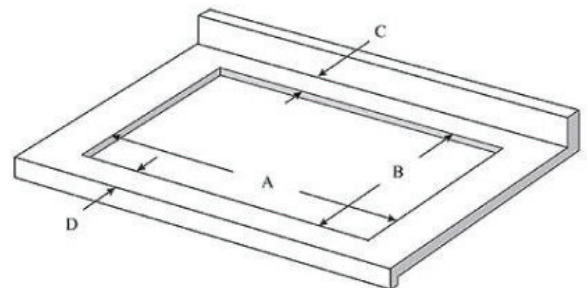
THINGS TO REMEMBER WHEN ORDERING:

The following information is required when ordering a **COOKTOP TRIM KIT**:

1. Cooktop Manufacturer's Name and Model Number
2. Existing Opening Size, (see drawing)

IMPORTANT:

Cooktop Trim Kits are cosmetic products only and are not designed to support the weight of the cooktop. Some countertop modifications may be necessary to support the new.



OVEN FILLERS

(Aluminum Options)

Oven Fillers are used to fill a gap below a wall oven when the existing opening height is taller than the height of the new replacement wall oven. These filler solutions alleviate the extra expense of replacing or refacing the cabinets to fit a new wall oven.

Aluminum Oven Fillers are fabricated using high-quality aluminum, then color coated for a cosmetic and durable finish. Our aluminum trim options (black, white, and stainless finishes) are crafted from a ribbed extrusion that resembles a faux vent with a fixed thickness of a 1/2". They secure to the cabinet with 1-2 screws on each side. These fillers can be cut to various heights from 5/8" up to 8 5/8" tall.



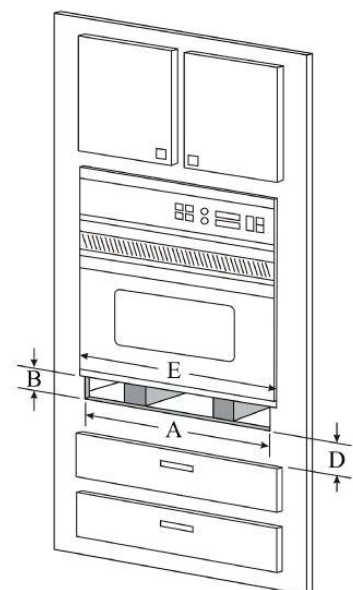
THINGS TO REMEMBER WHEN ORDERING:

The following information is required when ordering an **OVEN FILLER**:

1. Oven Manufacturer's Name and Model Number
2. Existing Opening Size (see drawing)

IMPORTANT:

If you need a trim kit to surround all four sides of the oven, see **OVEN TRIM KITS (P 18-19)**.



OVEN FILLERS

(Stainless Steel Option)



Oven Fillers are used to fill a gap below a wall oven when the existing opening height is taller than the height of the new replacement wall oven. These filler solutions alleviate the extra expense of replacing or refacing the cabinets to fit a new wall oven.

Stainless Steel Oven Fillers are fabricated using 20 Gauge 304 Stainless Steel. This material will allow us to fabricate the filler to match the thickness of the oven. The filler will come as a single piece that is smooth on the front side. We will incorporate mounting brackets with magnetic installation to allow for the most visually appealing look and easily installed product. Minimum size is 1 $\frac{3}{4}$ " tall with this option.

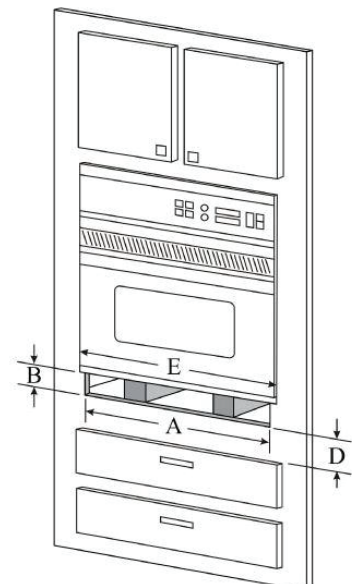
Things to remember when ordering:

The following information is required when ordering an **OVEN FILLER**:

1. Oven Manufacturer's Name and Model Number
2. Existing Opening Size (see drawing)
3. Thickness profile of Oven

IMPORTANT:

If you need a trim kit to surround all four sides of the oven, see **OVEN TRIM KITS (P 18-19)**.



OVEN TRIM KITS

(Aluminum Options)

Oven Trim Kits are used when an existing cabinet opening is wider than the replacement wall oven. These trims alleviate the expense of replacing or refacing cabinets to fit a new wall oven.

Aluminum Oven Trim Kits are fabricated using high quality aluminum, then color coated for a cosmetic and durable finish. Our aluminum trim options (black, white, and stainless finishes) are crafted from a ribbed extrusion that resembles a faux vent with a fixed thickness of a 1/2". They come in multiple pieces and secure to the cabinet with 1-2 screws in each corner.



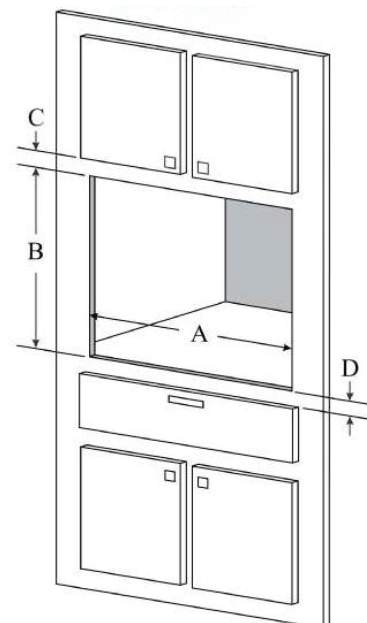
Things to remember when ordering:

The following information is required when ordering an **OVEN TRIM KIT**:

1. Oven Manufacturer's Name and Model Number
2. Existing Opening Size (see drawing)

IMPORTANT:

If you only need a filler for bottom or top, see **OVEN FILLERS (P 16-17)**.



OVEN TRIM KITS

(Stainless Steel Option)



Oven Trim Kits are used when an existing cabinet opening is wider than the replacement wall oven. These trims alleviate the expense of replacing or refacing cabinets to fit a new wall oven. Stainless Steel Oven Trim Kits are fabricated using 20 Gauge 304.

Stainless Steel. This material will allow us to fabricate the trim kit to match the thickness of the oven. The trim kit will come as a single piece that is smooth on the front side. We will incorporate mounting brackets with magnetic installation to allow for the most visually appealing look and easily installed product.

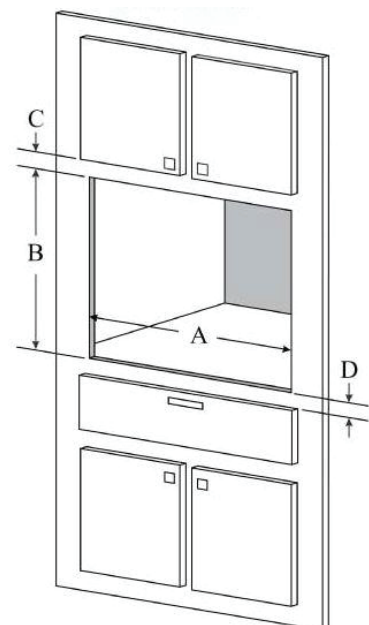
THINGS TO REMEMBER WHEN ORDERING:

The following information is required when ordering an **OVEN TRIM KIT**:

1. Oven Manufacturer's Name and Model Number
2. Existing Opening Size (see drawing)
3. Thickness Profile of Oven

IMPORTANT:

If you only need a filler for bottom or top, see **OVEN FILLERS (P 16-17)**.



REFRIGERATOR VENTS



Refrigerator Vents are designed to cover the gap above a refrigerator to give it a custom, built in look. In most cases, these vents are used when replacing an older built in refrigerator with a standard counter-depth refrigerator.

Refrigerator Vents are fabricated in either 18 or 20 Gauge 304 Stainless Steel. These custom vents are fabricated to fit your individual needs. Refrigerator Vents provide an attractively styled, easily installed product

REQUIRED INFORMATION WILL VARY GREATLY DEPENDING ON THE INSTALLATION. PLEASE REFER TO THE GUIDES ON OUR REFRIGERATOR VENTS PRODUCT PAGE FOR MORE INFORMATION OR CALL OUR OFFICE AT 800-338-8746.

SIDE EXTENSIONS

Side Extensions are used on the sides of many built in appliances to cover openings that are too wide, or to match the width of another appliance that is mounted above or below the unit requiring side extensions. These can be fabricated for use with Built in Coffee Makers, Microwave Drawers, Wall Ovens, and Speed/Steam Ovens.

Side Extension Trim Kits are fabricated from 20 Gauge 304 Stainless Steel. This type of trim is designed to match the same thickness profile as the built in appliance to look like an extension of the unit. These extensions will incorporate mounting brackets and magnetic installation.



REQUIRED INFORMATION WILL VARY GREATLY DEPENDING ON THE INSTALLATION. PLEASE REFER TO THE GUIDES ON OUR SIDE EXTENSIONS KITS PRODUCT PAGE FOR MORE INFORMATION OR CALL OUR OFFICE AT 800-338-8746.

SPECIAL PROJECTS



BACKSPLASH WITH SHELF



BBQ TRIM



HOOD DUCT COVER



FIREPLACE TRIM



RANGE VENTED RISER



REFRIGERATOR TRIM



BLACK FIREPLACE TRIM



CHROME SHOWER VALVE TRIM



COOKTOP TRIM WITH HEIGHT



DOWNDRAFT CAP



RANGE SIDE EXTENSIONS



REFRIGERATOR VENTED TOE KICK



MICRO-TRIM INC.

From A Name You Know.

For more information contact.
Micro-Trim Inc.

**3613 W. Mac Arthur Blvd., #604,
Santa Ana, CA 92704**

Tell **800-338-8746: 714-241-7046**
Fax **800-346-3890: 714-241-7060**
Visit Us At: **www.microtrim.com**

100% Satisfaction Guaranteed

*While we recommend uses
for our products based on
laboratory tests, in no way do
we guarantee methods of use,
application, or performance
where installed or used under
special conditions.*