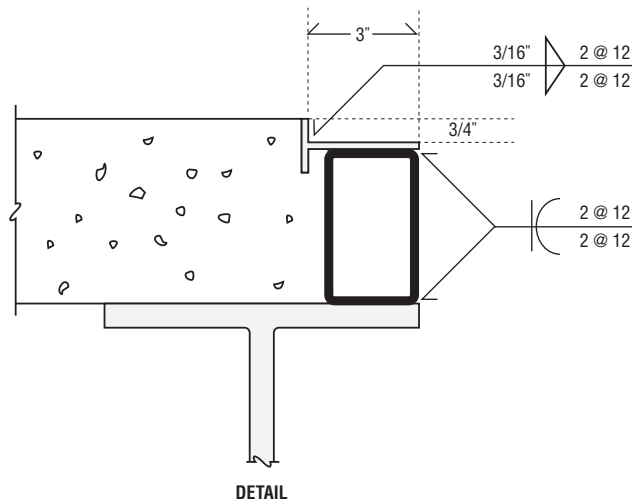
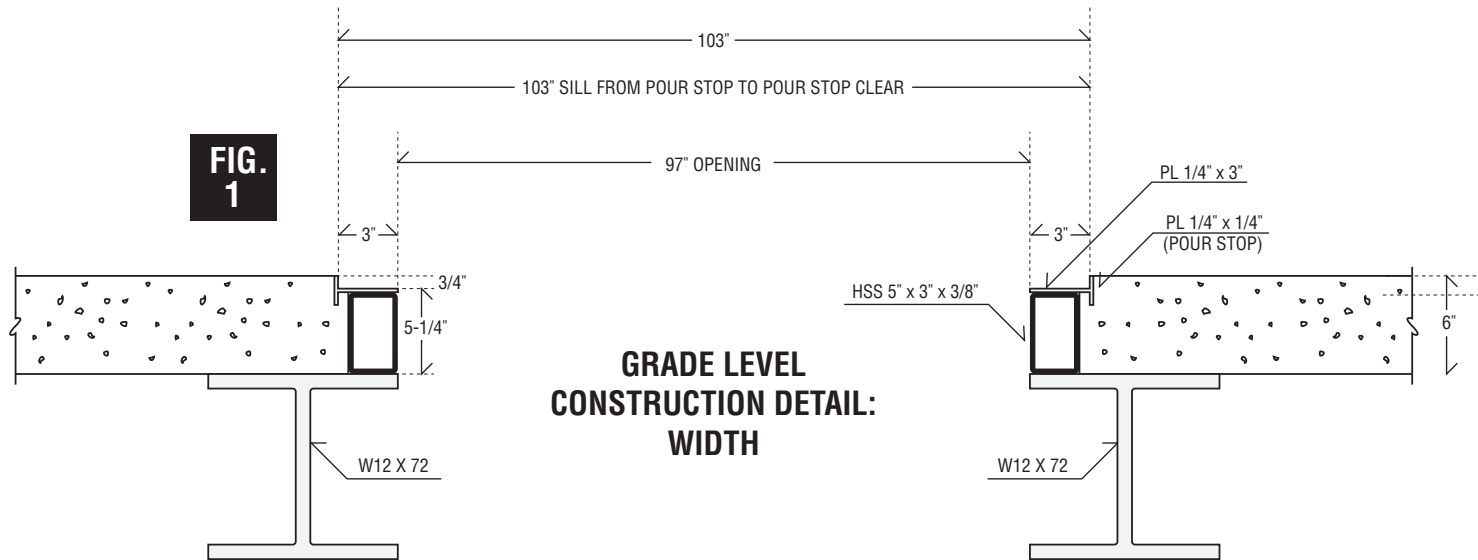
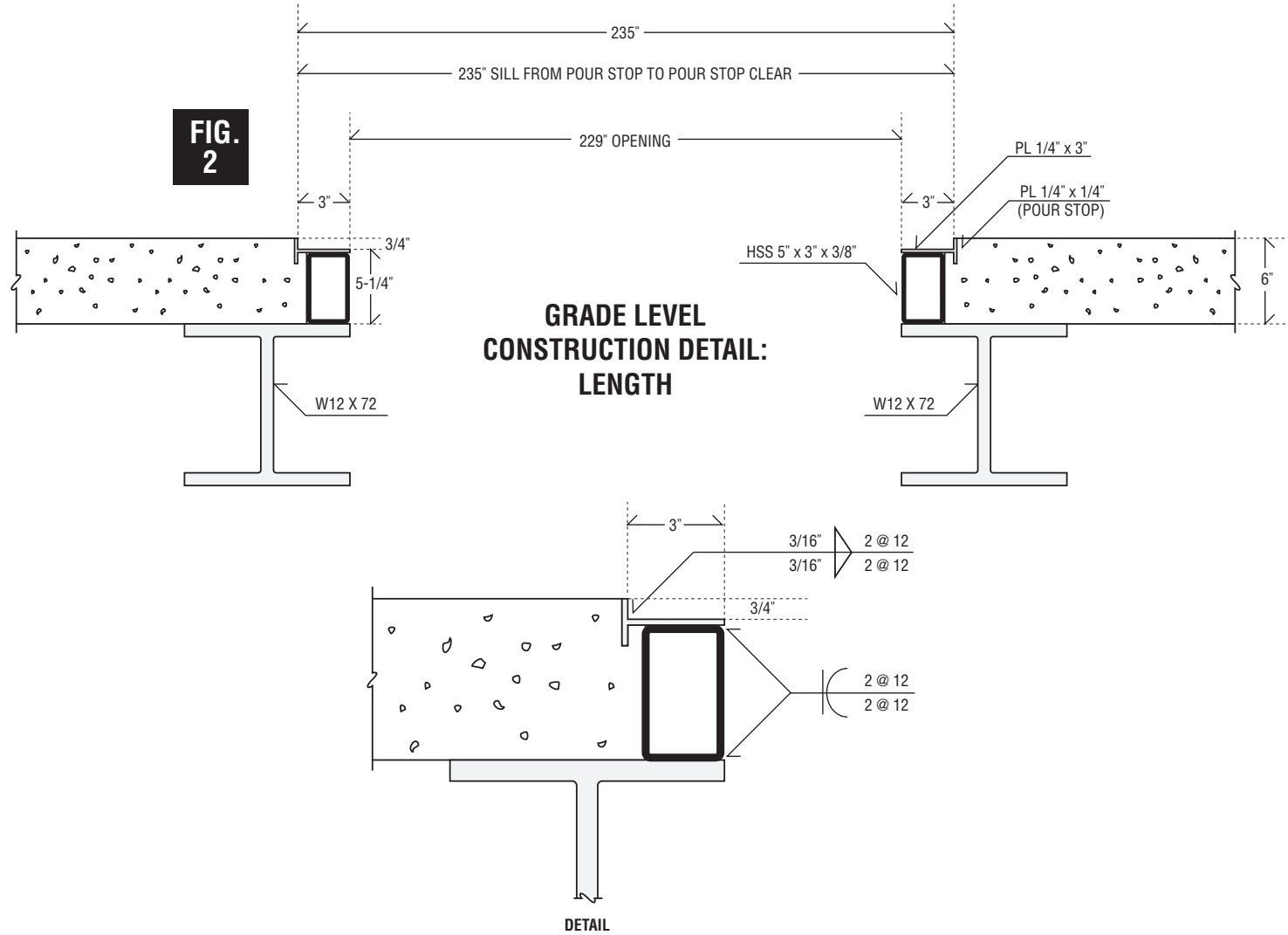


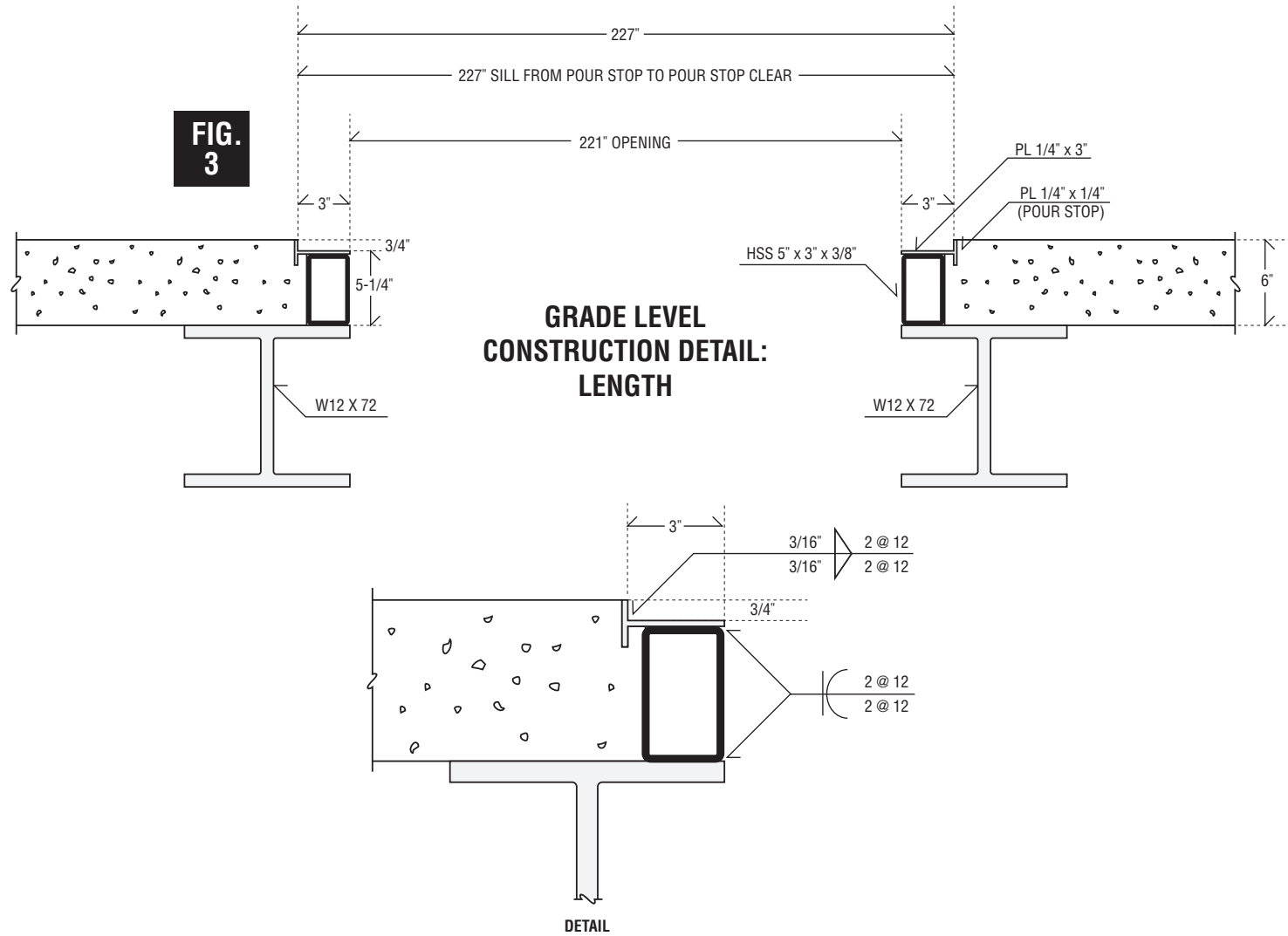
EDGE DETAIL SAMPLE USING  
TUBE STEEL OVER STRUCTURAL BEAM



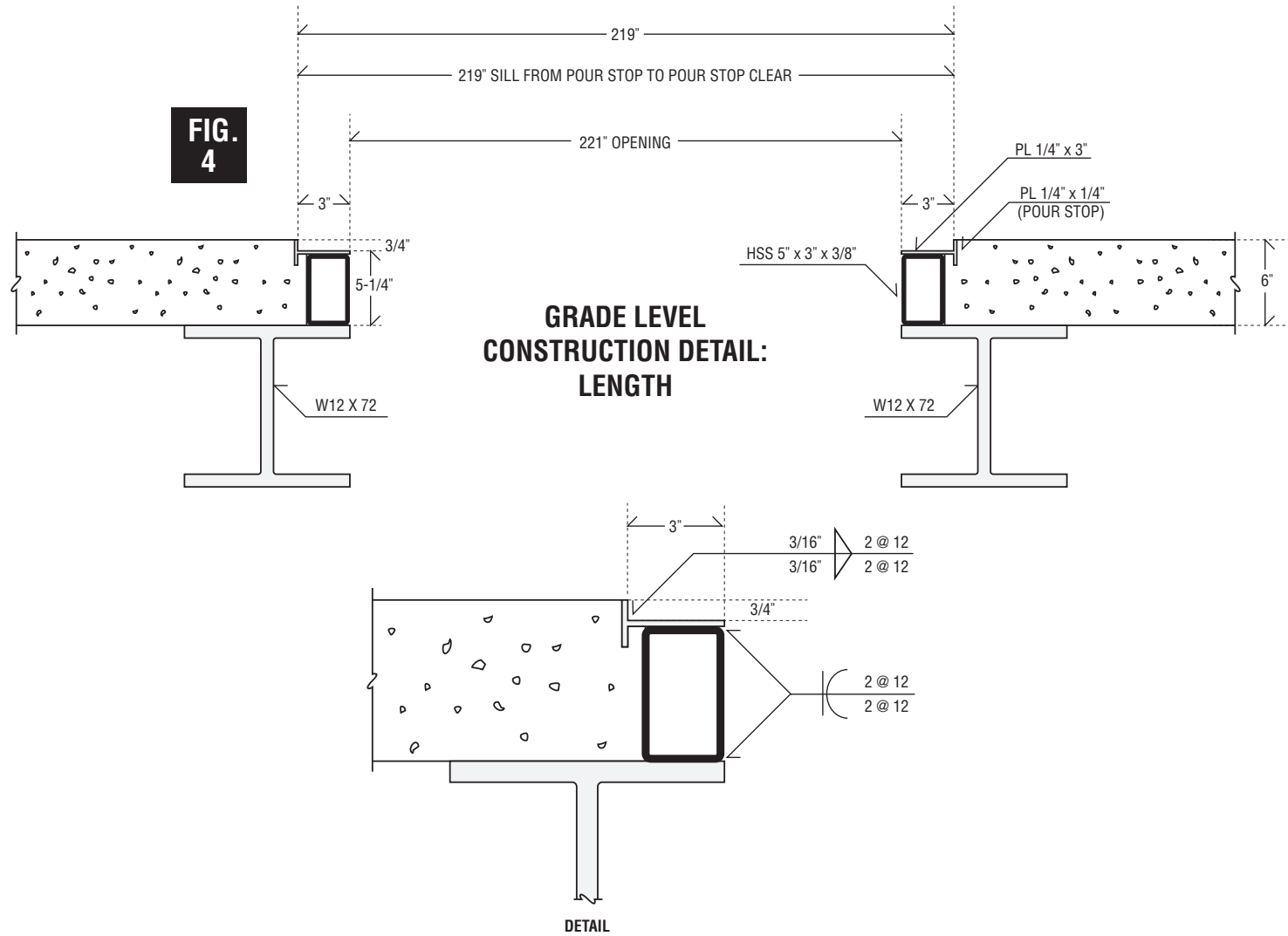
EDGE DETAIL SAMPLE USING  
 TUBE STEEL OVER STRUCTURAL BEAM



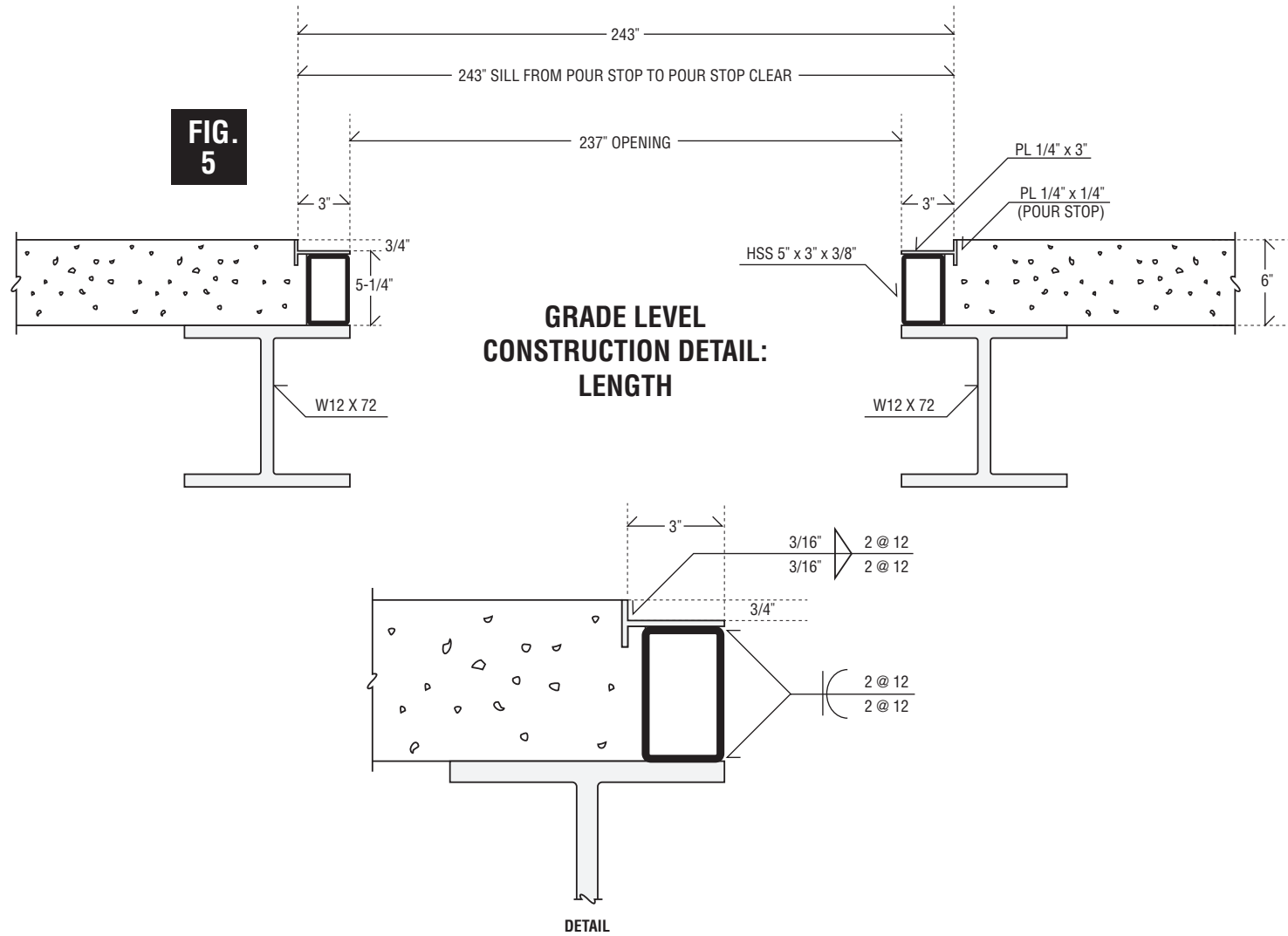
EDGE DETAIL SAMPLE USING  
TUBE STEEL OVER STRUCTURAL BEAM



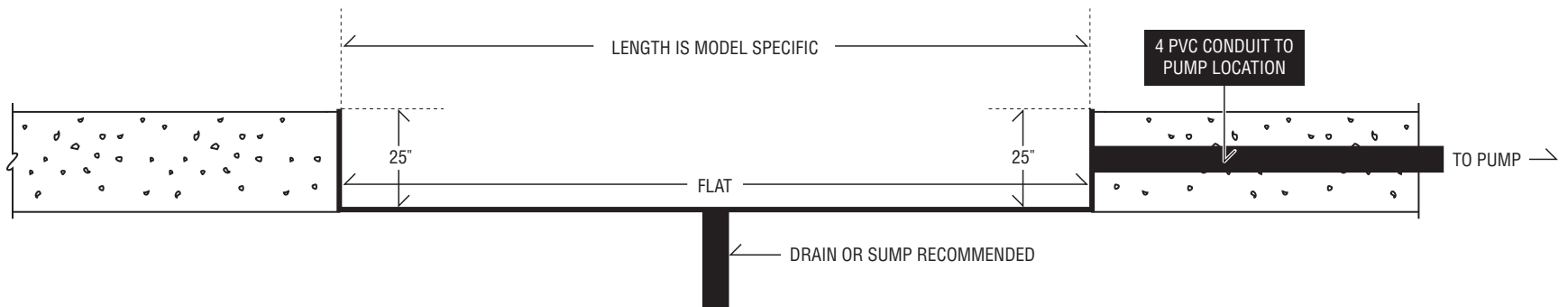
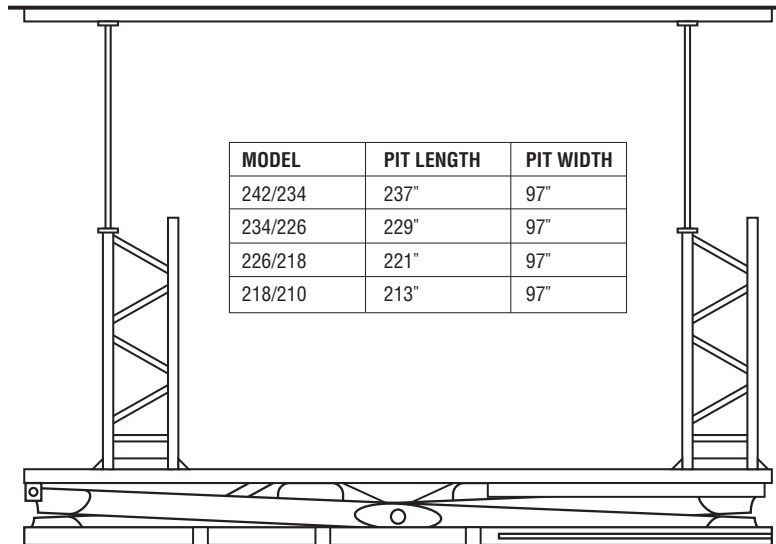
EDGE DETAIL SAMPLE USING  
 TUBE STEEL OVER STRUCTURAL BEAM



EDGE DETAIL SAMPLE USING  
TUBE STEEL OVER STRUCTURAL BEAM



**FIG.  
6**



### ST-2 STANDARD DIMENSIONS

Carparx Model	Length Designation	Upper Platform Length	Lower Platform Length	Upper Platform Width*	Lower Platform Width*	Grade Level Opening	Maximum Floor to Floor*	Interplatform Spacing*	Vehicle Weight
ST-2 Standard	234/226	234"	226"	102"	94"	97" by 229"	96" **	78"	6000 lbs
ST-2 Short	226/218	226"	218"	102"	94"	97" by 221"	88" **	70"	6000 lbs
ST-2 Extra Short	218/210	218"	210"	102"	94"	97" by 213"	84" **	66"	6000 lbs

### VTS-2 STANDARD DIMENSIONS

Carparx Model	Length Designation	Upper Platform Length	Lower Platform Length	Upper Platform Width**	Lower Platform Width**	Grade Level Opening	Mini Pit Dimensions	Maximum Floor to Floor*	Interplatform Spacing*	Vehicle Weight
VTS-2 Extra Long	242/234	242"	234"	102"	94"	97" x 237"	97" x 237" x 25"	156"	78"	6000 lbs
VTS-2 Standard	234/226	234"	226"	102"	94"	97" x 229"	97" x 229" x 25"	144"	78"	6000 lbs
VTS-2 Short	226/218	226"	218"	102"	94"	97" x 221"	97" x 221" x 25"	132"	78"	6000 lbs
VTS-2 Extra Short	218/210	218"	210"	102"	94"	97" x 213"	97" x 213" x 25"	132"	78"	6000 lbs

\* All dimensions subject to final shop drawings.

\*\* Basement depth can be increased by the addition of height adjusting pedestals. Optional.

Vehicle weight limit is for lifting cars on the lower platform only. Two-car lifting option available on all models.