



TJ EZ WINDOW.NET

ASSEMBLY MANUAL

LOT#:



Customer Service

If you have a question or concern

Email: service@neopmail.net







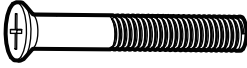
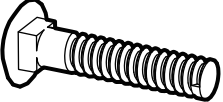





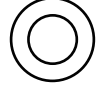
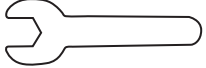
or call 203-591-9060

Monday-Friday 8:30am-4:30pm EST

PDF manual on www.EZTRUNK.com

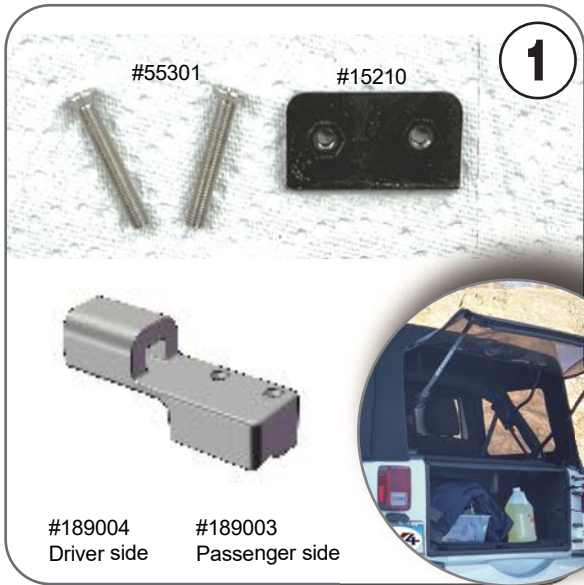
DO NOT RETURN TO THE STORE!

Please read instructions fully before beginning assembly

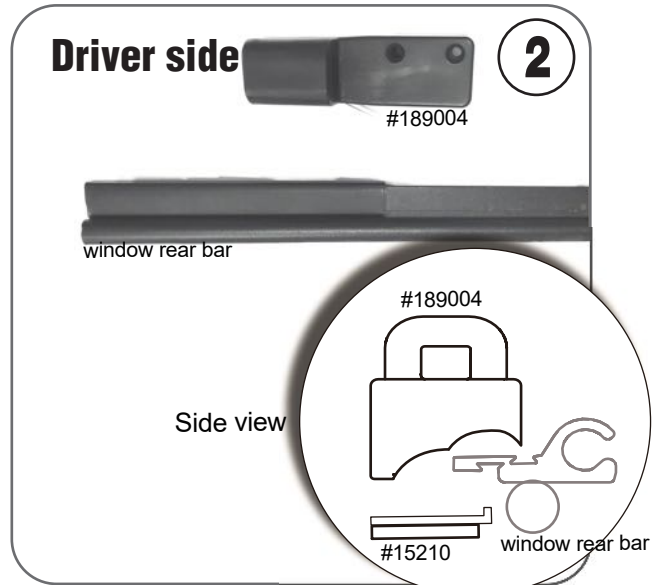
| NO | Illustration | Description | Part # | QTY. |
|----|---|----------------------------|--------------------|------|
| 1 |  | Clamp | 25651B* 25651R* | 2 |
| 2 |  | Support bar_Driver | 13516B* 13516R* | 1 |
| 3 |  | Support bar_Passenger | 13517B* 13517R* | 1 |
| 4 |  | Plastic holder_Driver | 189004 | 1 |
| 5 |  | Plastic holder_Passenger | 189003 | 1 |
| 6 |  | Metal plate | 15210 | 2 |
| 7 |  | bolt M5x30 | 55301 | 4 |
| 8 |  | Bolt M6x30 | 26301 | 2 |
| 9 |  | Lock Nut M6 | 10062 | 5** |
| 10 |  | Nut M6(on clamp) | 10060 | 2 |
| 11 |  | Pin | 25641 | 2 |
| 12 |  | Velcro trip | 251801 | 2 |
| 13 |  | Metal washer (black) | 1806012 | 4 |
| 14 |  | Plastic washer (dark grey) | 1806112 | 4 |
| 15 |  | Wrench #10 | #10 | 1 |

* Two different colors. B for black and R for red

** 1 extra piece



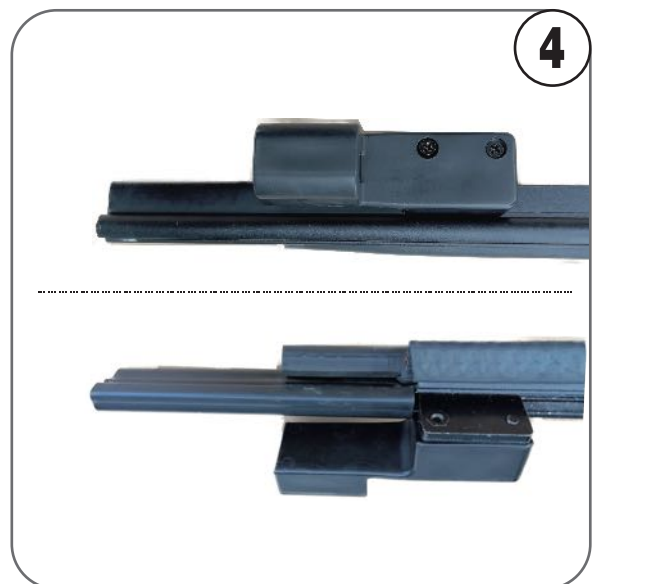
1



2



3

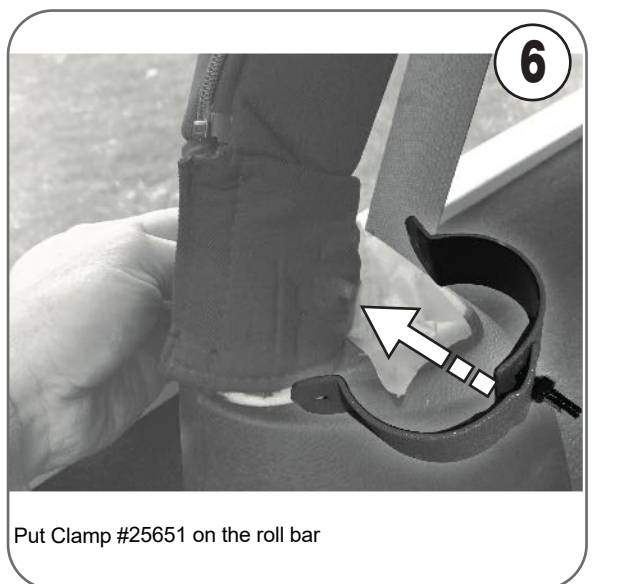


4

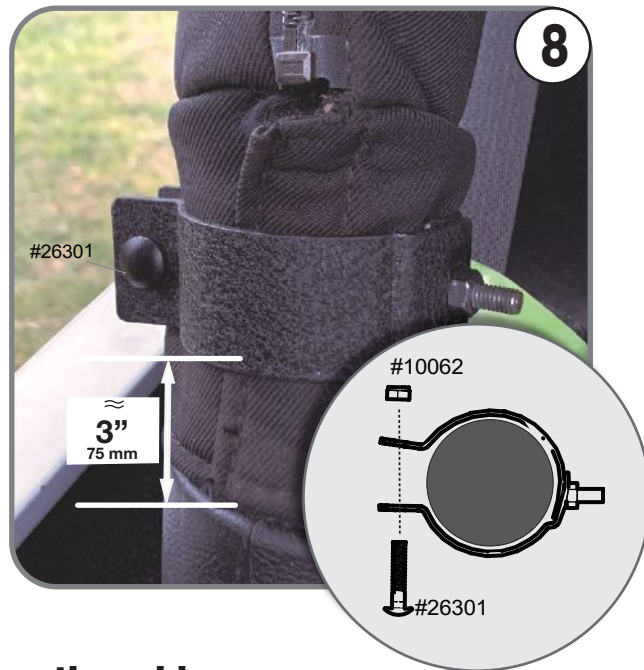
Repeat steps 1~4 for passenger side



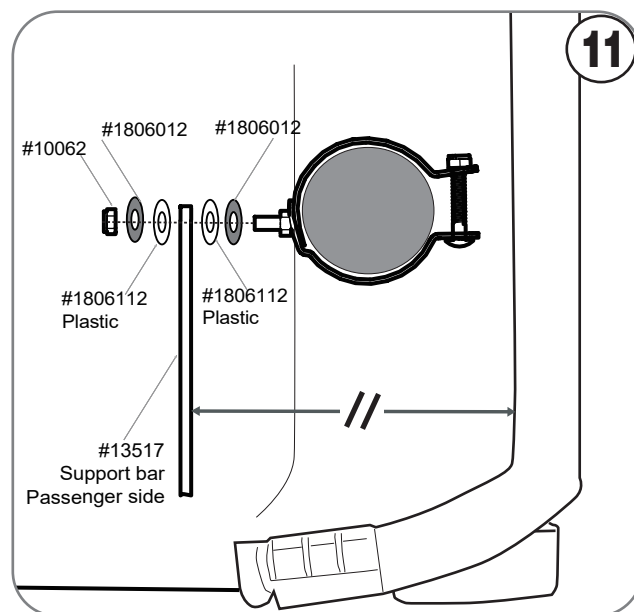
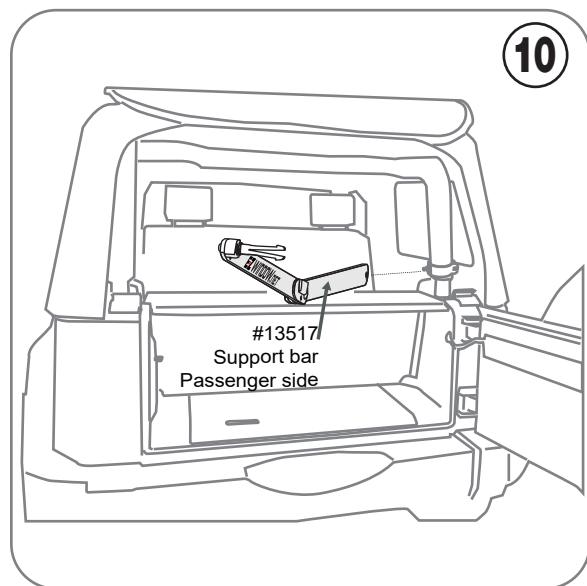
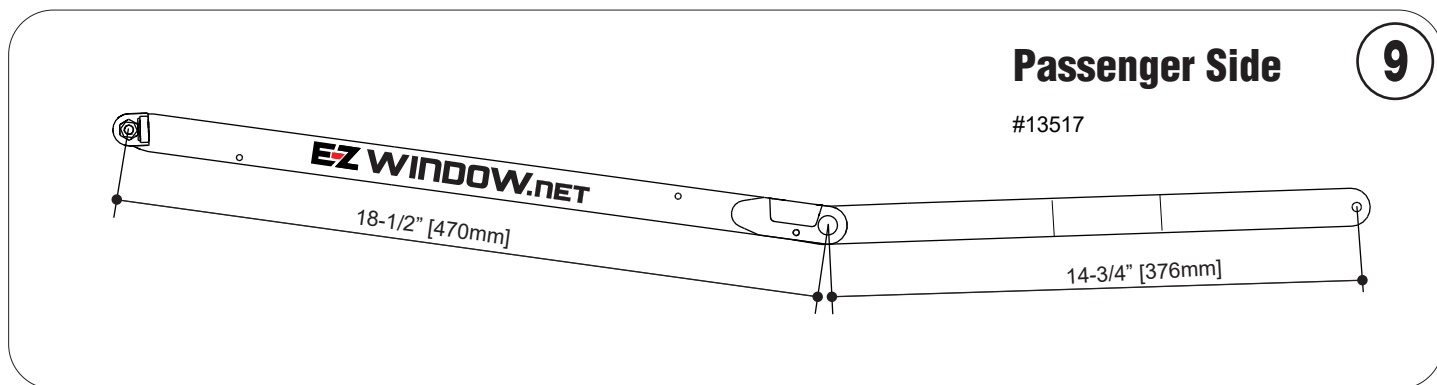
5



6

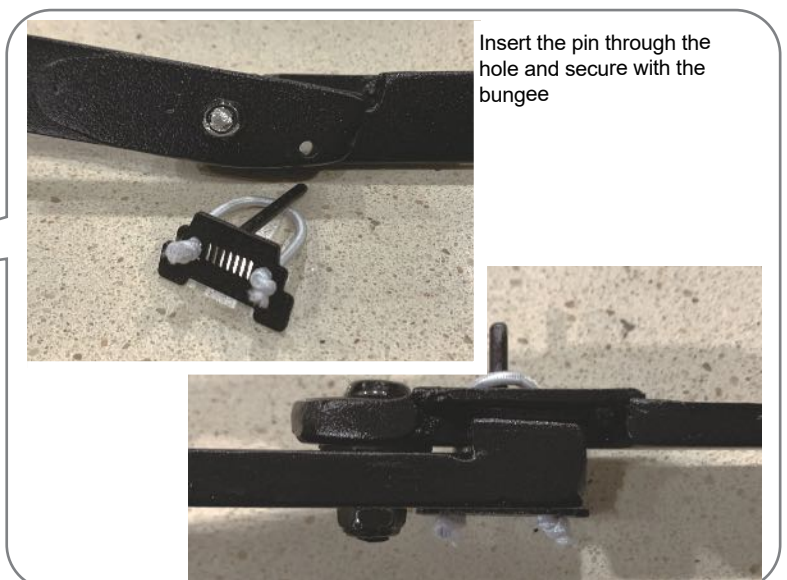
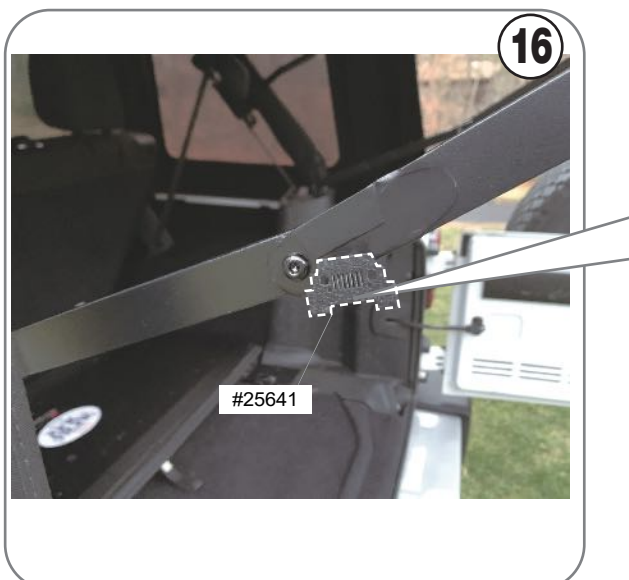


Repeat steps 5-8 for the other side





Repeat steps 10~12 for driver side



FOLDING

17



Remove the bungee and pull the pin

18



To store the pin

19

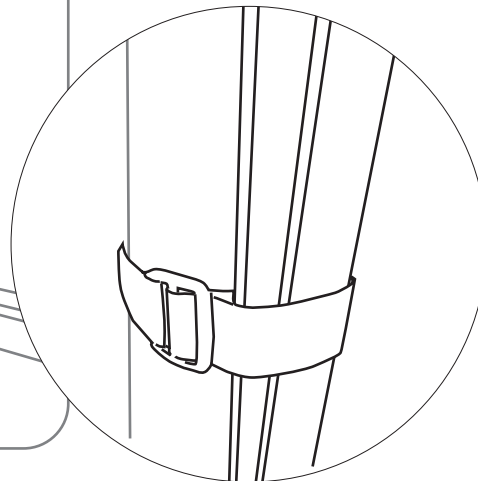
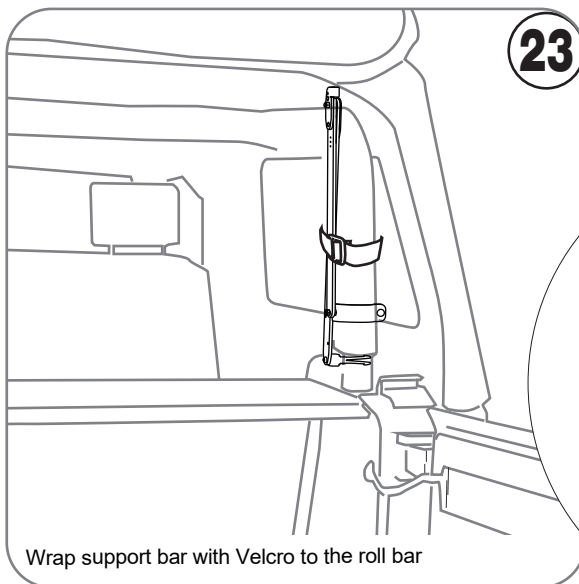
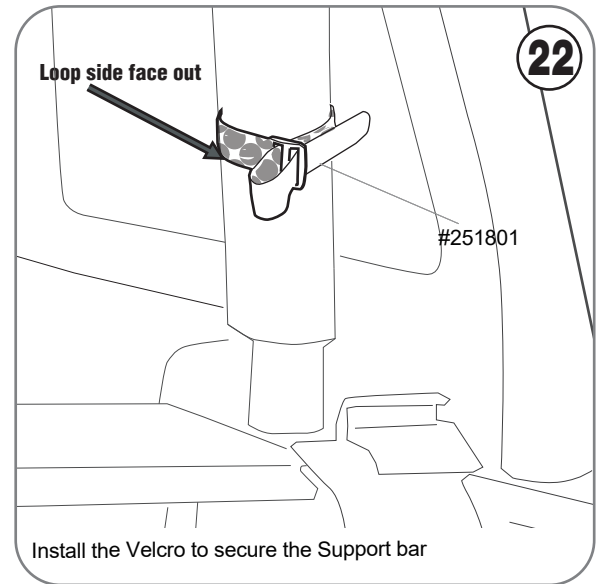


Bend the side bars up to fold the window down

20



STORAGE



Customer Service

If you have a question or concern

**Email: service@neopmail.net
or call 203-591-9060**

Monday-Friday 8:30am-4:30pm EST

PDF manual on www.EZTRUNK.com

DO NOT RETURN TO THE STORE!