

JK JKU 2007 - 2018 SLANT

EZ WINDOW ASSEMBLY

MANUAL

#1907 0042

MAKE IT EZ

Print the latest manual &
Watch the EZWINDOW Video
Part #1907 0042



Scan QR CODE for
Video & PDF MANUALS

READ FIRST

There are many variations of Jeeps, soft tops, hardtops, and with & without speakers.

When **INSTALLING** your EZTRUNK or EZWINDOW in your Jeep, and it doesn't fit due to Jeeps' variations, please call us.

WE HAVE THE COMPONENTS TO MAKE IT WORK PROPERLY. We also offer help with installations via FaceTime, Skype, cell, or any other way you would like to get the install done quickly.



Customer Service

Any questions? WE ARE HERE TO HELP!

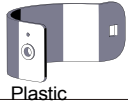
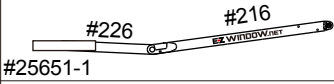

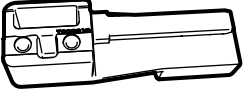
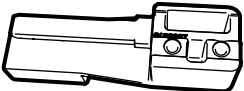

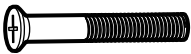
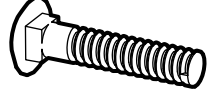



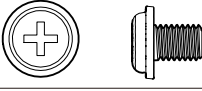


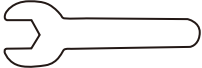

Text or Call 203-901-0055 / Call 203-591-9060

EMAIL US: SERVICE@EZTRUNK.NET

7 day a week 8:30 am EST

DO NOT RETURN, WE CAN HELP YOU!

Please read instructions fully before beginning assembly

NO	Illustration	Description	Part #	QTY.
1	 Plastic Plastic	60mm Clamps For Roll Bar	25651-2B	2
2		Support Bar For Driver Side	23516B	1
3		Support Bar For Passenger Side	23517B	1
4		Plastic Bracket For Driver Side	188007	1
5		Plastic Bracket For Passenger Side	188006	1
6		Metal Plates	25210	2
7		Metal Plate Bolts M5x35	55351	4
8		Clamp Bolts M6x35	26351	2
9		Clamp Lock Nuts M6	10062	2+1 extra
10		Pins	25641	2
11		Velcro Strap	251801	2
12		Roll Bar Clamp Screws	66041	2+1 extra
13		Metal Washer - Black	1806012	1 extra
14		Plastic Washer - Black	1806112	1 extra
15		Wrench	#10	1
16		Rubber Caps For Clamp Bolt	M6	2+1 extra

1

#55351 #25210

#188007

#188007 Driver side
#188006 Passenger side

**DO NOT
USE
POWER
TOOLS
EXCEPT
#5**

2

Driver side

driver side

3

**Follow instructions to install the
left & right sides**

1. Take off the Rear Bar

4

#188 007

5

55351

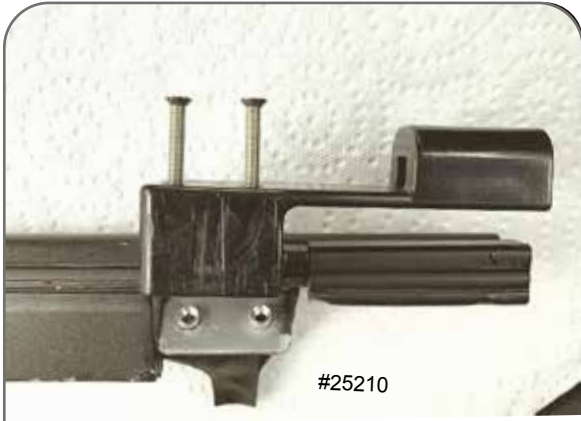
#25210

Side View

Window
Rear bar

#25210

MAKE IT EASY: CHECK OUT THE ASSEMBLY INSTRUCTION VIDEO - USE QR CODE



Connect the two parts on each side of the bar. Make sure the Metal clip is in the slot of the bar.

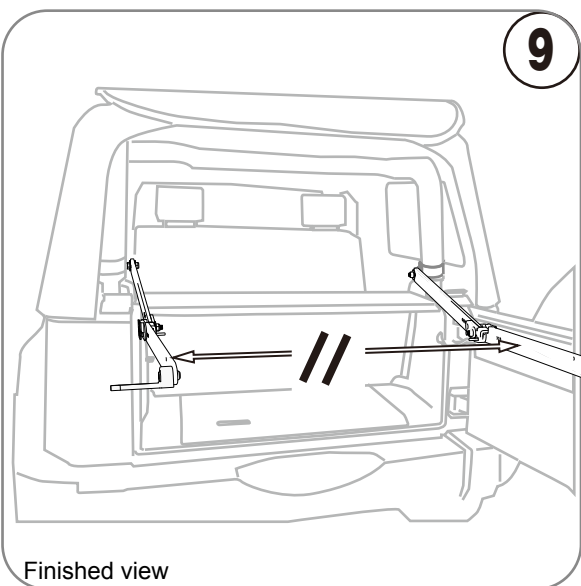
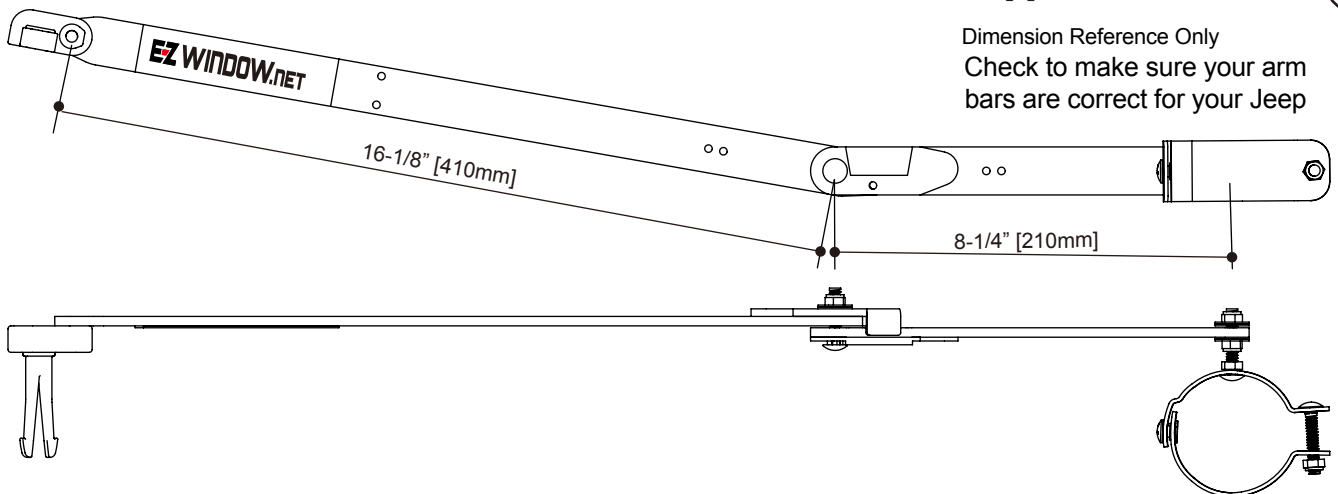


Tighten the two parts to the bar.

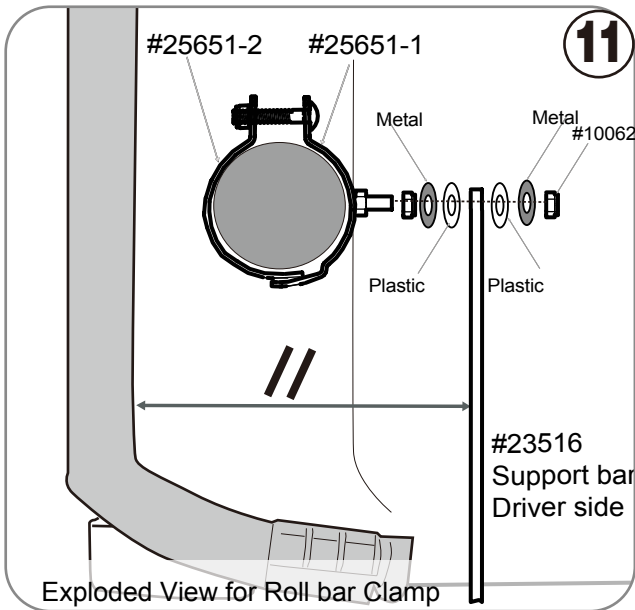


Support Bar 8

Dimension Reference Only
Check to make sure your arm bars are correct for your Jeep



MAKE IT EASY: CHECK OUT THE ASSEMBLY INSTRUCTION VIDEO - USE QR CODE



MAKE IT EASY: CHECK OUT THE ASSEMBLY INSTRUCTION VIDEO - USE QR CODE



Squeeze pin, push in until it clicks in place.

Repeat steps 10~12 for driver side



Bring the window up and rotate the window bar to make it taller.



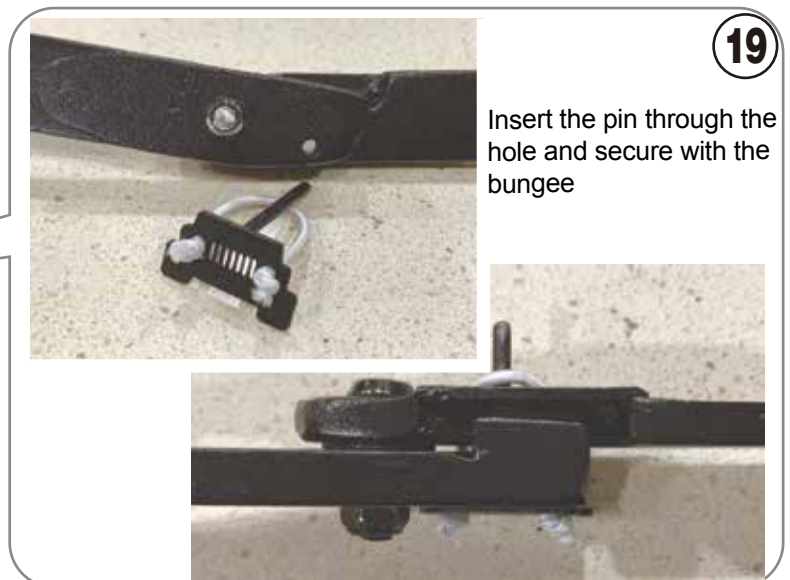
DRIVE WITH THE WINDOW UP!

Do not drive with the window in the High position, only the standard up position.



#25641

Use the Jeep clip when driving on the highway.



19

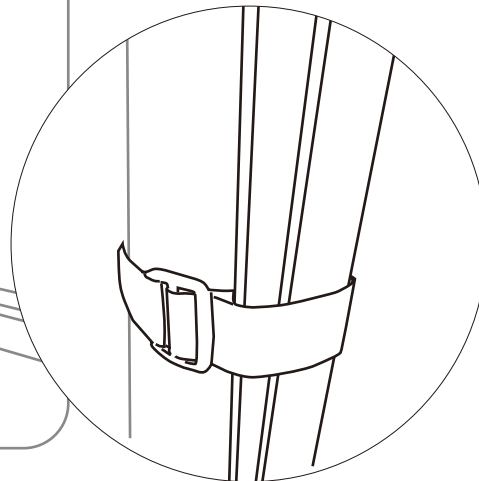
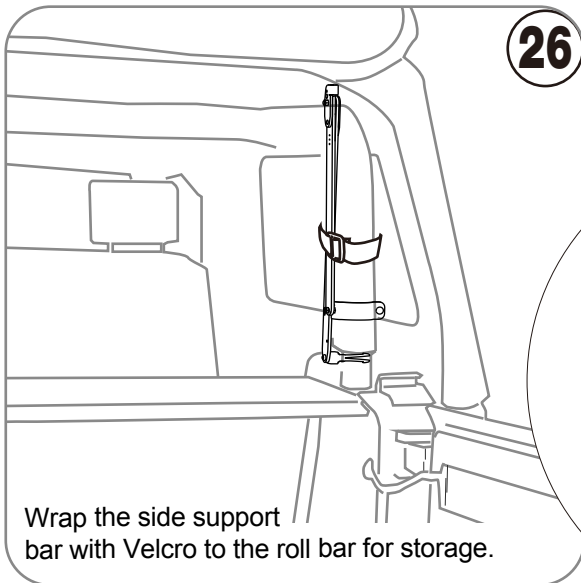
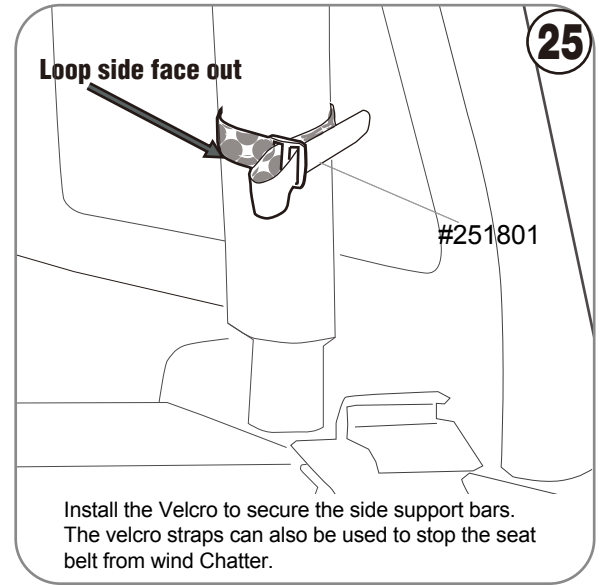
Insert the pin through the hole and secure with the bungee

FOLDING



MAKE IT EASY: CHECK OUT THE ASSEMBLY INSTRUCTION VIDEO - USE QR CODE

STORING EZWINDOW WHEN YOU INSTALL HARDTOP OR GO TOPLESS



Customer Service

Any questions? WE ARE HERE TO HELP!

Text or Call 203-901-0055 / Call 203-591-9060

EMAIL US: SERVICE@EZTRUNK.NET

7 day a week 8:30 am EST

DO NOT RETURN, WE CAN HELP YOU!