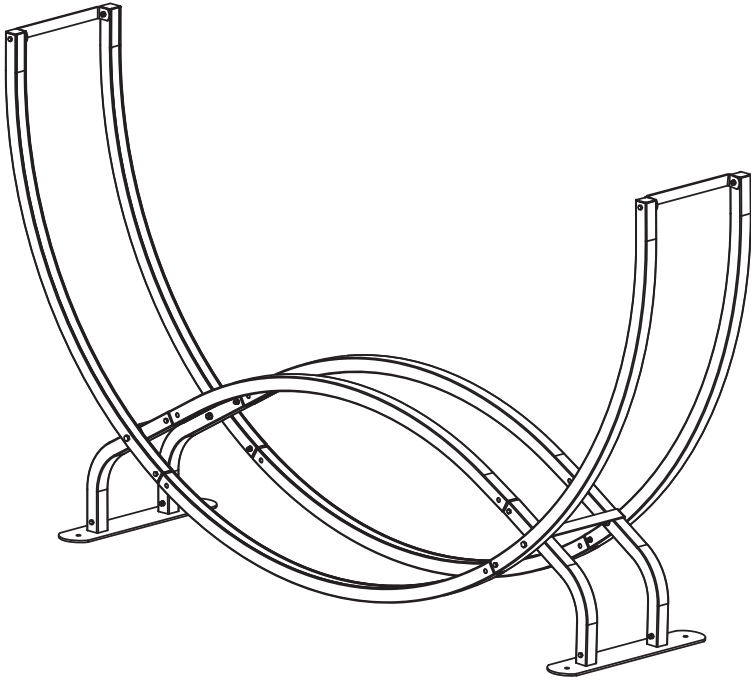


# #21208 8' Log Rack



## Installation Instructions

Please read instructions  
**COMPLETELY**  
before assembly.



**DO NOT RETURN  
PRODUCT TO THE  
STORE**

Missing Parts,  
Need Replacements, or  
Help with Assembly

**PLEASE EMAIL**

Customer Service:

**Service@ezgoal.net**

203 933 4442  
West Haven, CT 06516

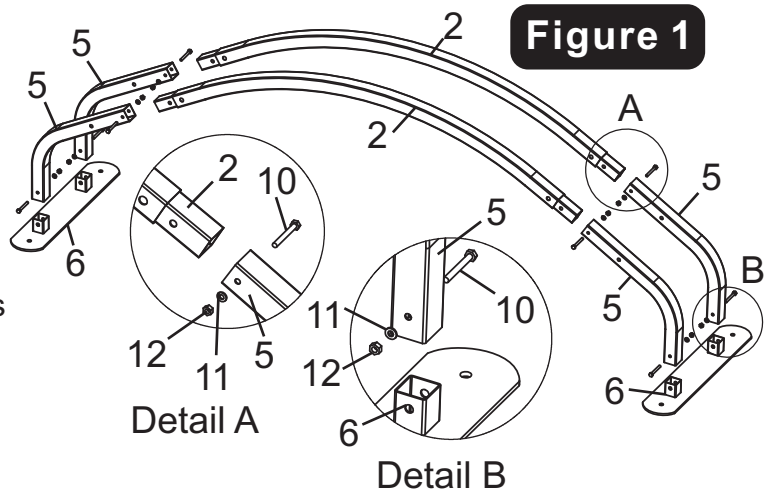
Item #	Description	Drawings	Qty
1	Bottom bend		2
2	Middle bend		2
3	Side bend (With plastic caps)		4
4	Brace		4
5	Support leg		4
6	Foot plate		2
7	Hex bolt M8x90		4
8	Washer M8		4
9	Lock nut M8		4+1
10	Hex bolt M6x50		16
11	Washer M6		16
12	Lock nut M6		16+1
13	Rope		1
1408	Cover		1

# Assembly Instructions

## STEP 1

Connect 1 Support Leg (#5) onto each end of Middle Bend (#2) using 4 Hex bolts (#10), 4 Washers (#11), 4 Lock nuts (#12). See Detail A.

Connect Foot plate (#6) to Support Leg (#5), using one hex bolt 4 Hex bolts (#10), 4 Washers (#11), 8 Lock nuts (#12). See Detail B.



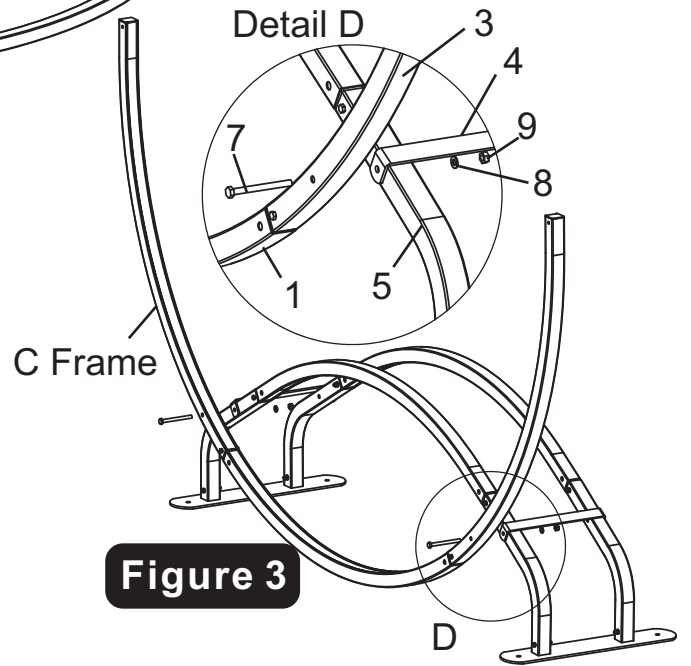
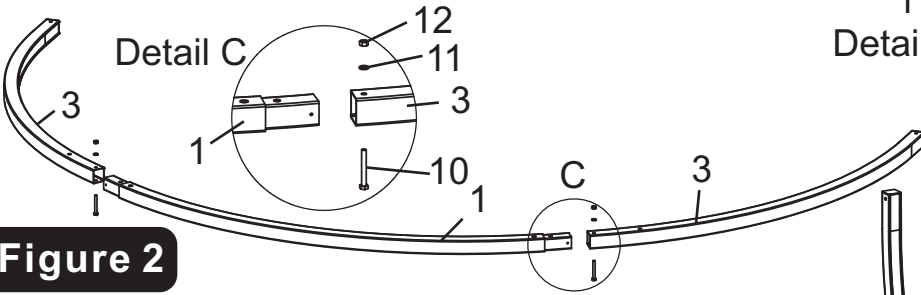
**Figure 2**

## STEP 2

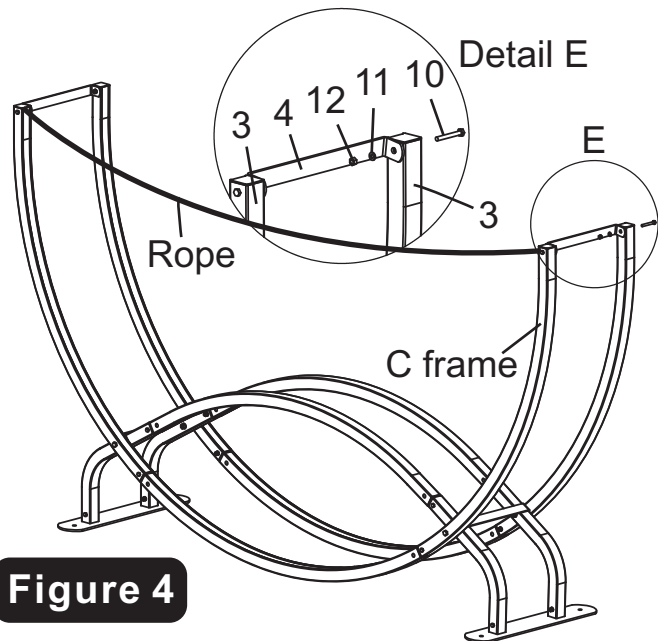
Connect 1 Side Bend (#3) onto each end of Bottom Bend (#1) using 4 Hex bolts (#10), 4 Washers (#11), 4 Lock nuts (#12). See Detail C.

## STEP 3

Place 2 Brace (#4) onto support leg (#5), align the hole in Brace with the hole in Support Leg, Connect C frame assembled in Step 2 to Support leg (#5) using 2 Hex bolts (#7), 2 Washers (#8) and 2 Lock nuts (#9).



**Figure 3**

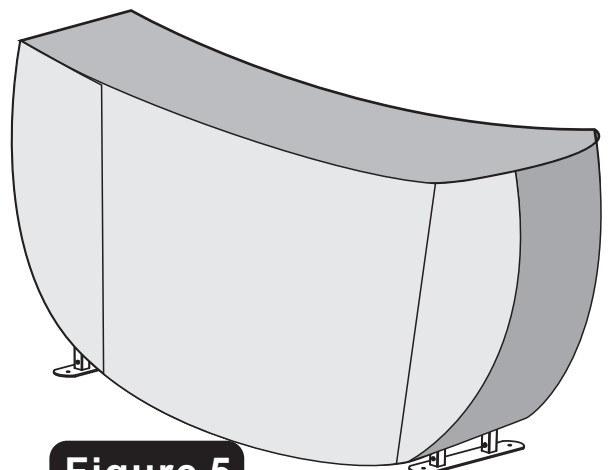


**Figure 4**

## STEP 4

Repeat Step 3 for the other C frame. See Figure 4.

Connect 2 C frame together with two Braces (#4), using 4 Hex bolts (#10), 4 washers (#11) and 4 Lock nuts (#12). Tie 1 Rope (#13) to C frames, rest Rope on the top of Brace.



**Figure 5**

## STEP 4

Tie Rope (#13) to Side tubes in the front only (#2), This will make the snow and rain slide off easy and makes the cover look better on the log rack.