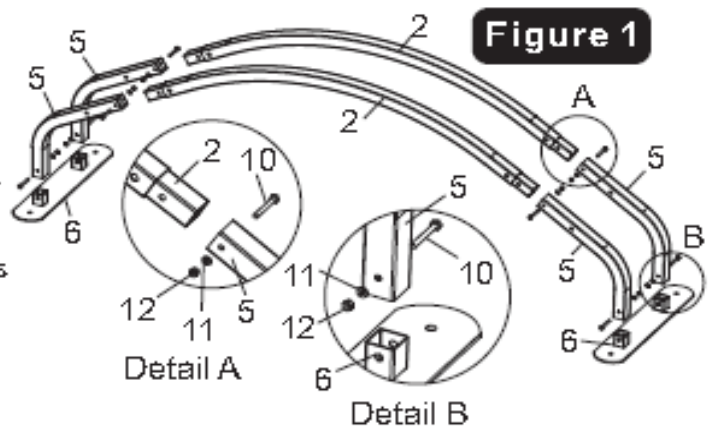


## Assembly Instructions

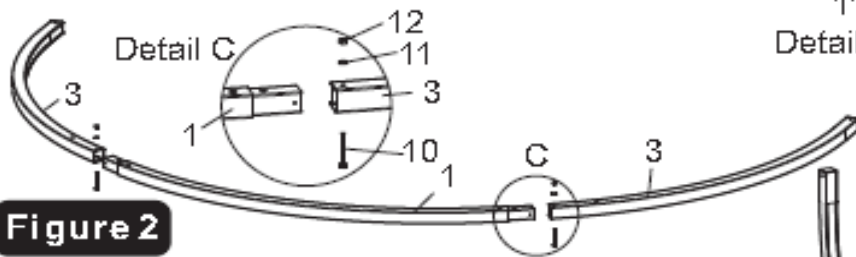
### STEP 1

Connect 1 Support Leg (#5) onto each end of Middle Bend (#2) using 4 Hex bolts (#10), 4 Washers (#11), 4 Lock nuts (#12). See Detail A.

Connect Foot plate (#6) to Support Leg (#5), using one hex bolt 4 Hex bolts (#10), 4 Washers (#11), 8 Lock nuts (#12). See Detail B.



**Figure 1**



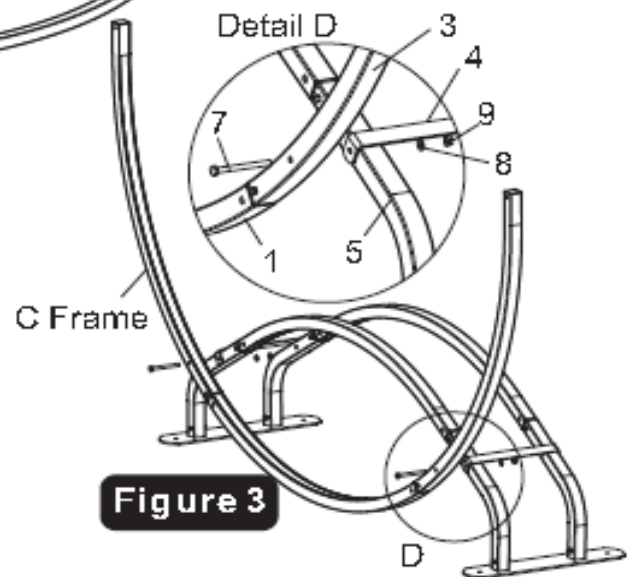
**Figure 2**

### STEP 2

Connect 1 Side Bend (#3) onto each end of Bottom Bend (#1) using 4 Hex bolts (#10), 4 Washers (#11), 4 Lock nuts (#12). See Detail C.

### STEP 3

Place 2 Brace (#4) onto support leg (#5), align the hole in Brace with the hole in Support Leg, Connect C frame assembled in Step 2 to Support leg (#5) using 2 Hex bolts (#7), 2 Washers (#8) and 2 Lock nuts (#9).



**Figure 3**

### STEP 4

Repeat Step 3 for the other C frame. See Figure 4.

Connect 2 C frame together with two Braces (#4), using 4 Hex bolts (#10), 4 washers (#11) and 4 Lock nuts (#12).

**Full & ¼ Cover-- Water repellent covers sold separately.**

For purchase at: [service@ezgoal.net](mailto:service@ezgoal.net) or call toll free: 1-888-466-8600

