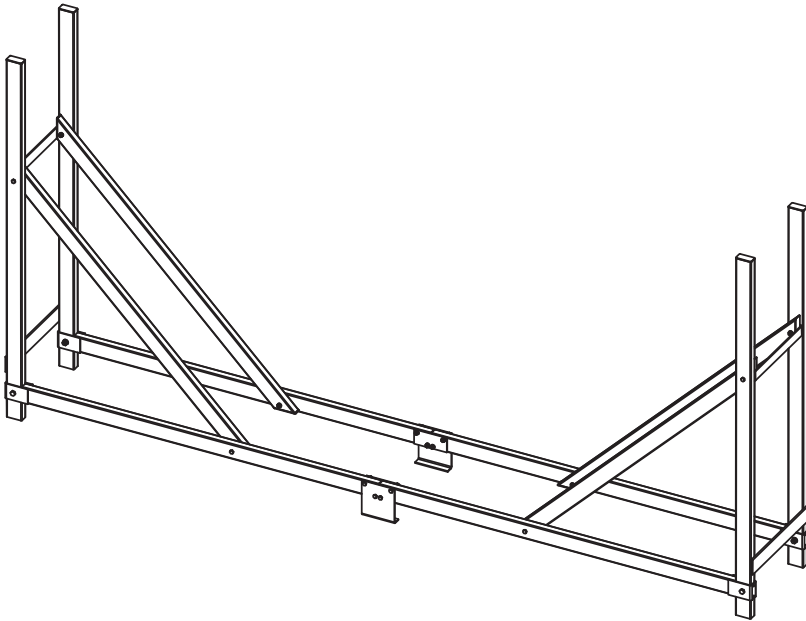


#23318 8' wood Rack



Item #	Description	Drawings	Qty
1	Bottom frame		4
2	End Frame		2
3	Slant tube		4
4	Brace		2
5	Bottom support bracket		2
6	Mounting plate		2
7	Hex bolt M8x45		4
8	Washer M8		4
9	Lock nut M8		4+1
10	Hex bolt M6x65		4
11	Hex bolt M6x60		4
12	Hex bolt M6x40		8
13	Washer M6		16
14	Lock nut M6		16+1

Installation Instructions

Please read instructions
COMPLETELY
before assembly.



**DO NOT RETURN
PRODUCT TO THE
STORE**

Missing Parts,
Need Replacements, or
Help with Assembly

PLEASE EMAIL

Customer Service:

Service@ezgoal.net

203 933 4442
West Haven, CT 06516

Assembly Instructions

STEP 1

Connect Bottom Frame (#1) together using 2 Bottom support bracket (#5), 2 Mounting plate (#6), 8 Hex bolts (#12), 8 Washers (#13), and 8 Lock nuts (#14). See Figure 1 and Detail A.

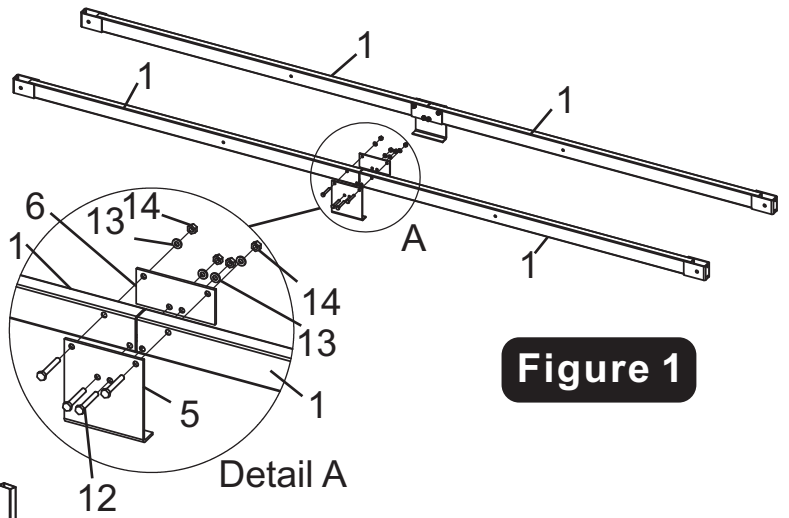
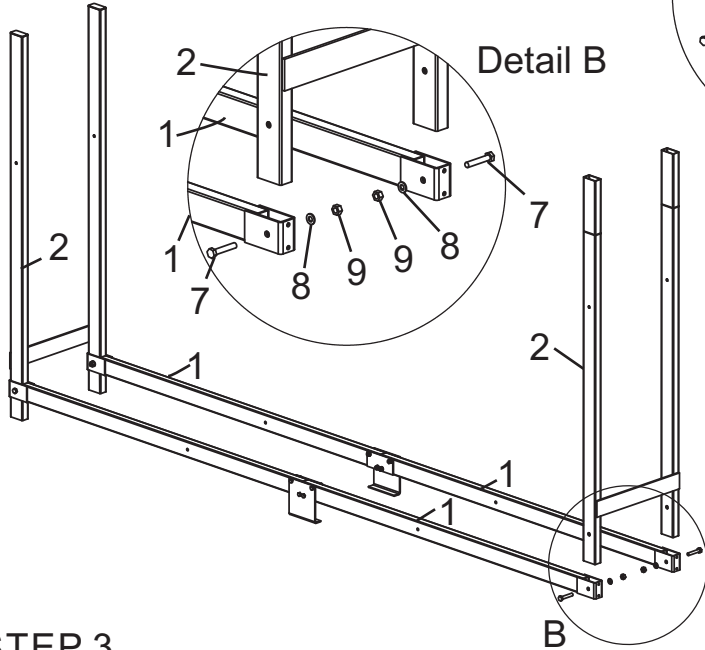


Figure 1



STEP 2

Connect End frame (#2) to Bottom Frame (#1). Lay assembly on the floor as shown in Figure 1, Slide End Frame (#2) thru the bracket welded at the end of Bottom frame (#1), secure them with 2 Hex bolts (#7), 2 Washers (#8) and 2 Lock nuts (#9) for End frame (#2). See Figure 2 and Detail B. Repeat this step for the other side.

STEP 3

Connect Slant tube (#3) to End Frame (#2). Place Brace (#4) inside End Frame (#2), and place Slant tube (#3) inside Brace (#4), Connect them together using 4 Hex bolts (#10), 4 washers (#13) and 4 Lock nuts (#14). See Detail C. connect the bottom of Slant tube (#3) to Base frame (#1) using 4 Hex bolts (#11), 4 Washers (#13), and 4 Lock nuts (#14). See Detail D. Tighten all the bolts and nuts.

Figure 3

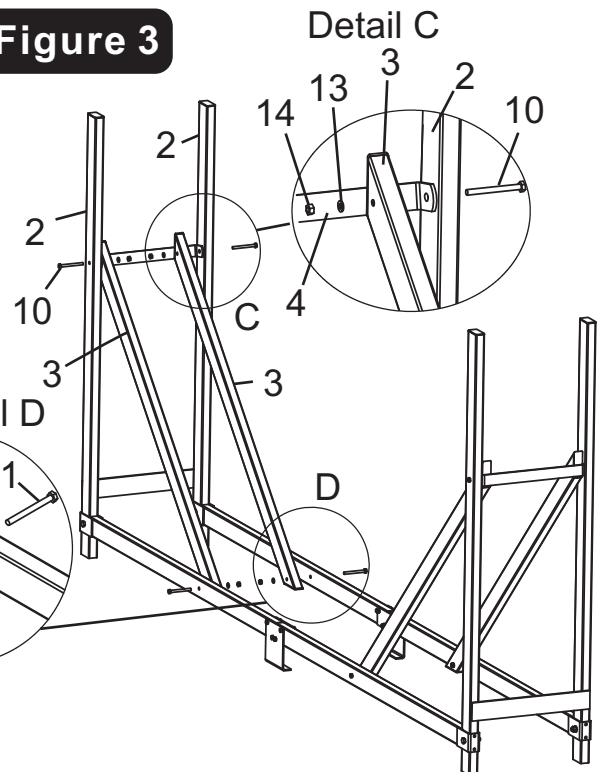


Figure 4

