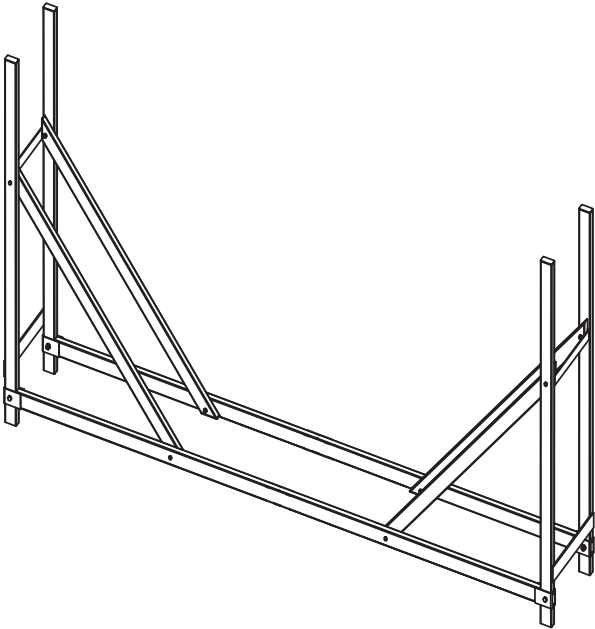


#23404 4' Log Rack



Item #	Description	Drawings	Qty
1	Bottom frame		2
2	End Frame		2
3	Slant tube		4
4	Brace		2
5	Hex bolt M8x45		4
6	Washer M8		4
7	Lock nut M8		4+1
8	Hex bolt M6x65		4
9	Hex bolt M6x60		4
10	Washer M6		8
11	Lock nut M6		8+1
12	Rope		1
2304	Cover		1

Installation Instructions

Please read instructions
COMPLETELY
before assembly.



DO NOT RETURN

STORE

Missing Parts,
Need Replacements, or
Help with Assembly

PLEASE EMAIL

Customer Service:

Service@ezgoal.net

203-591-9032

95 Johnson street
Waterbury, CT, 06710

Assembly Instructions

STEP 1

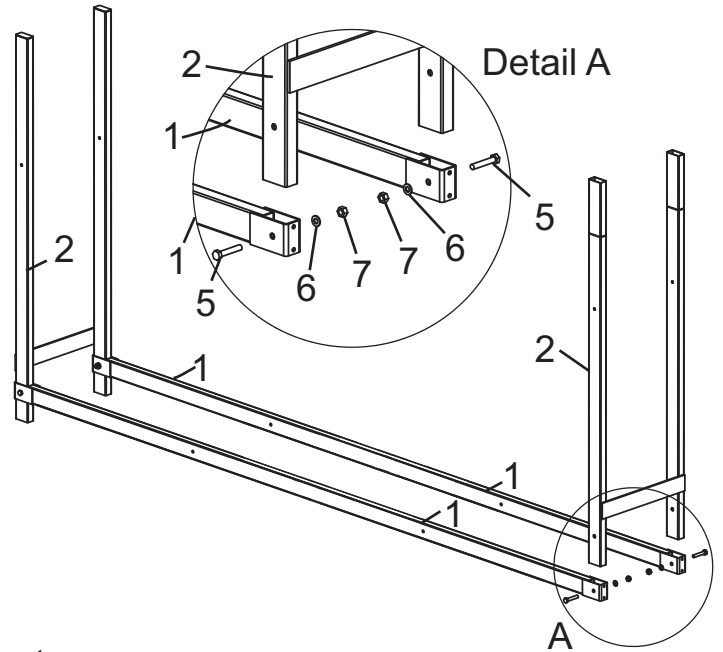
Connect End frame (#2) to Bottom Frame (#1).

Lay assembly on the floor as shown in Figure 1, Slide End Frame (#2) thru the bracket welded at the end of Bottom frame (#1), secure them with 2 Hex bolts (#5), 2 Washers (#6) and 2 Lock nuts (#7) for End frame (#2).

See Figure 2 and Detail A.

Repeat this step for the other side.

Figure 1



STEP 2

Connect Slant tube (#3) to End Frame (#2).

Place Brace (#4) inside End Frame (#2), and place Slant tube (#3) inside Brace (#4), Connect them together using 4 Hex bolts (#8), 4 washers (#10) and 4 Lock nuts (#11). See Detail B.

connect the bottom of Slant tube (#3) to Base frame (#1) using 4 Hex bolts (#9), 4 Washers (#10), and 4 Lock nuts (#11). See Detail C.

Tighten all the bolts and nuts.

Figure 2

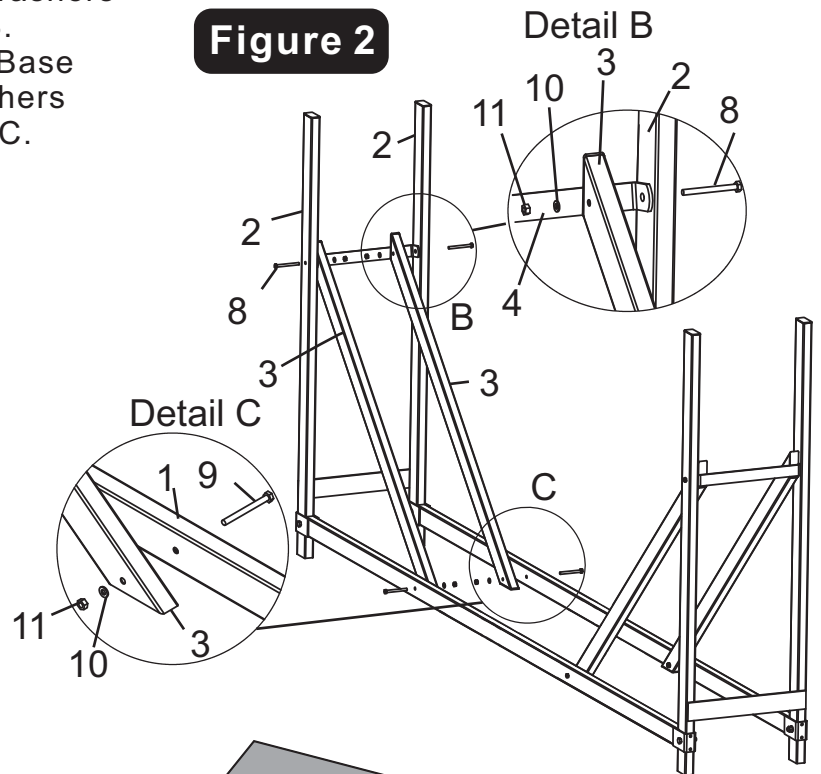
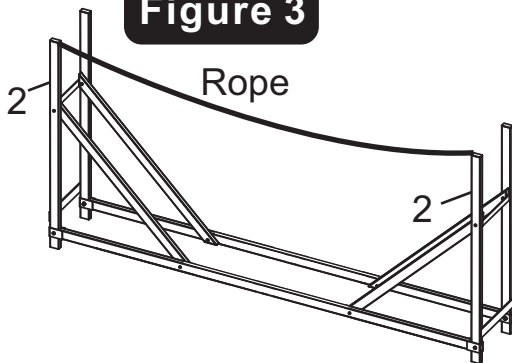


Figure 3



STEP 3

Tie Rope (#12) to Side tubes in the front only (#2), This will make the snow and rain slide off easy and makes the cover look better on the log rack.

Figure 4

