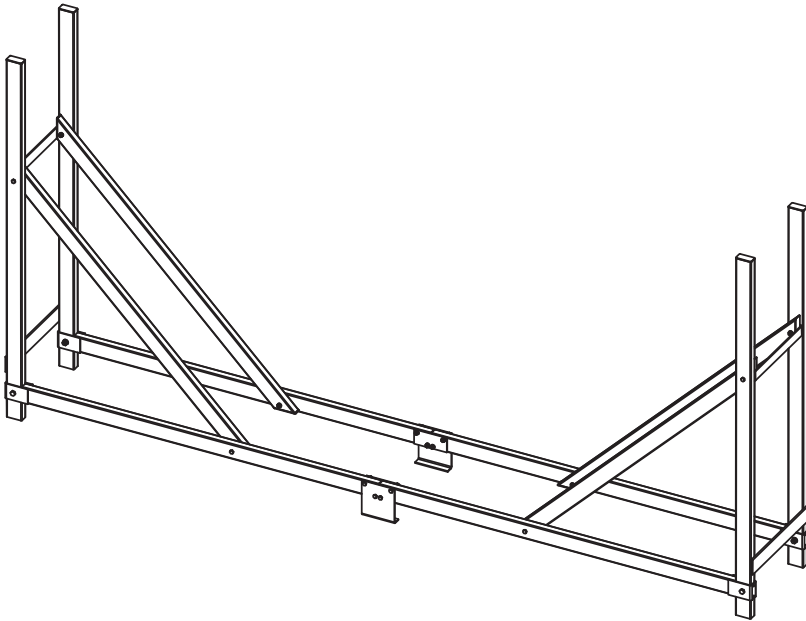


# #23808 8' wood Rack



Item #	Description	Drawings	Qty
1	Bottom frame		4
2	End Frame		2
3	Slant tube		4
4	Brace		2
5	Bottom support bracket		2
6	Mounting plate		2
7	Hex bolt M8x45		4
8	Washer M8		4
9	Lock nut M8		4+1
10	Hex bolt M6x65		4
11	Hex bolt M6x60		4
12	Hex bolt M6x40		8
13	Washer M6		16
14	Lock nut M6		16+1
15	Rope		1
23328	Cover		1

## Installation Instructions

Please read instructions  
**COMPLETELY**  
before assembly.



**DO NOT RETURN  
PRODUCT TO THE  
STORE**

Missing Parts,  
Need Replacements, or  
Help with Assembly

**PLEASE EMAIL**

Customer Service:

**Service@ezgoal.net**

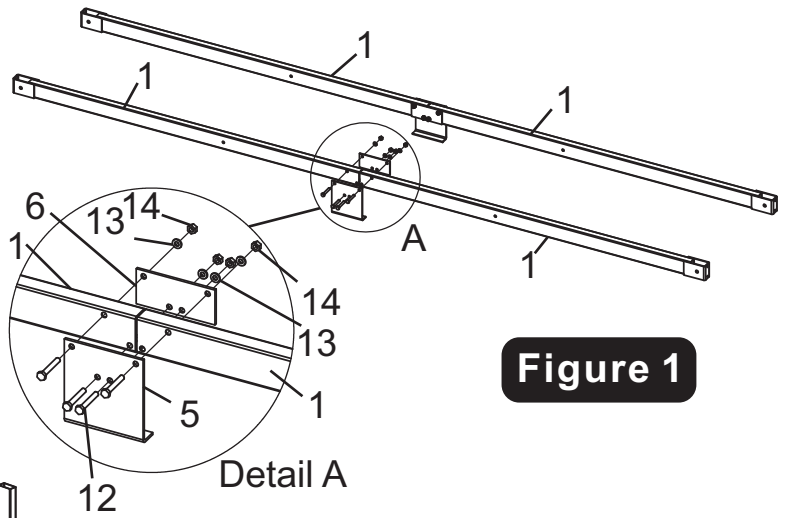
**203-591-9032**

95 Johnson street  
Waterbury, CT, 06710

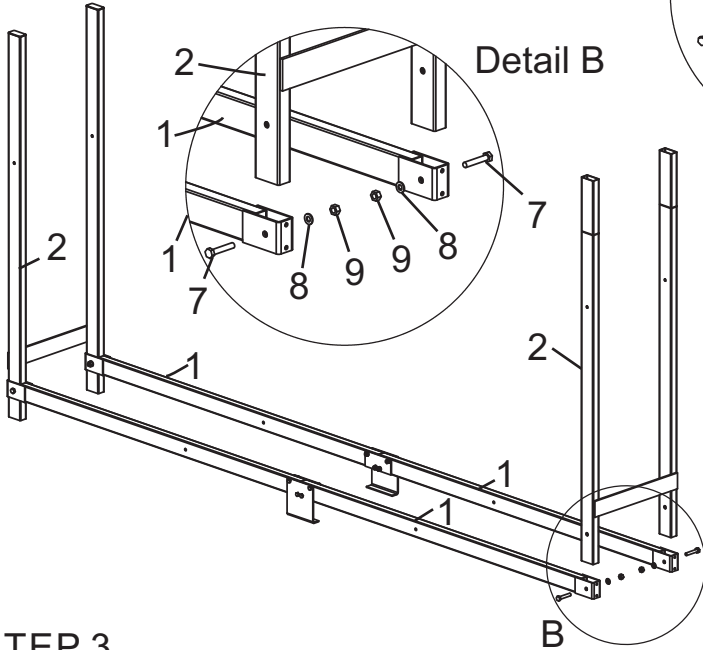
# Assembly Instructions

## STEP 1

Connect Bottom Frame (#1) together using 2 Bottom support bracket (#5), 2 Mounting plate (#6), 8 Hex bolts (#12), 8 Washers (#13), and 8 Lock nuts (#14). See Figure 1 and Detail A.



**Figure 1**



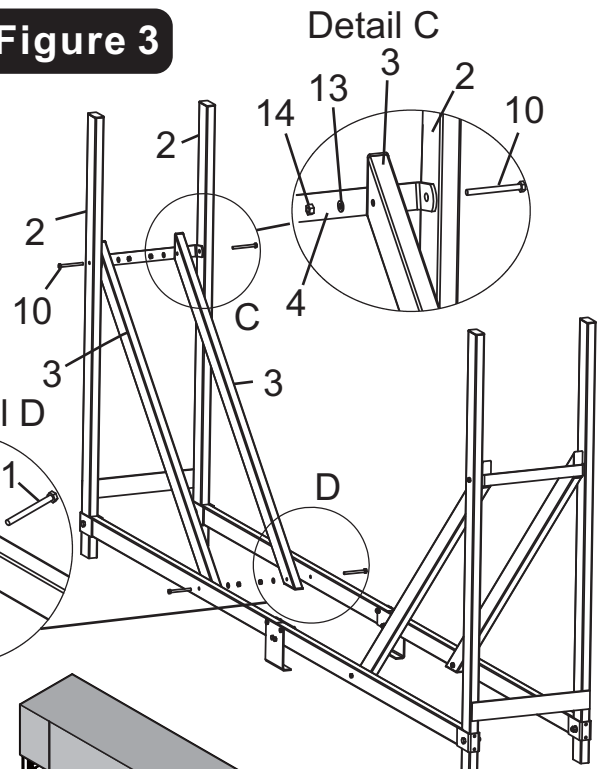
## STEP 2

Connect End frame (#2) to Bottom Frame (#1). Lay assembly on the floor as shown in Figure 1, Slide End Frame (#2) thru the bracket welded at the end of Bottom frame (#1), secure them with 2 Hex bolts (#7), 2 Washers (#8) and 2 Lock nuts (#9) for End frame (#2). See Figure 2 and Detail B. Repeat this step for the other side.

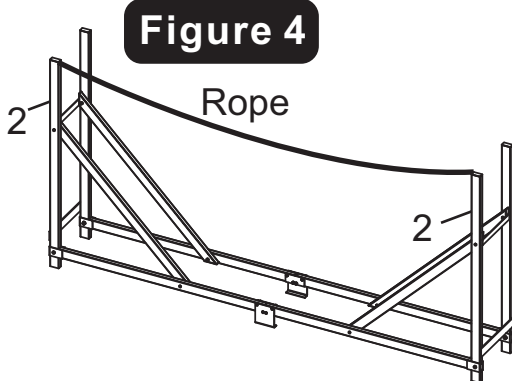
## STEP 3

Connect Slant tube (#3) to End Frame (#2). Place Brace (#4) inside End Frame (#2), and place Slant tube (#3) inside Brace (#4), Connect them together using 4 Hex bolts (#10), 4 washers (#13) and 4 Lock nuts (#14). See Detail C. connect the bottom of Slant tube (#3) to Base frame (#1) using 4 Hex bolts (#11), 4 Washers (#13), and 4 Lock nuts (#14). See Detail D. Tighten all the bolts and nuts.

**Figure 3**



**Figure 4**



## STEP 4

Tie Rope (#15) to Side tubes in the front only (#2), This will make the snow and rain slide off easy and makes the cover look better on the log rack.

**Figure 5**

