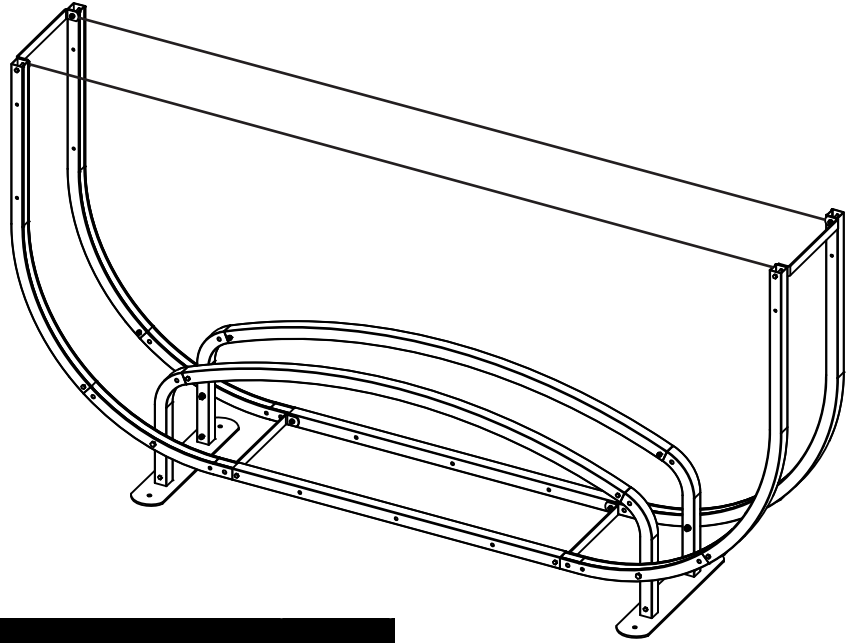


24218 8 ft. Firewood Rack

#55



No.	Item #	Description	Drawings	Qty
1	S22	Side Support Bend (With plastic caps)		4
2	S24	Side Connecting Bend		4
3	S25	Side Bend Leg		4
4	S21	Middle Connecting tube		2
5	S26	Middle Round Connecting tube		2
6	P2	Foot Plate		2
7	P1	Brace		4
8	B890	Hex bolt M8x90		4
9	W8	Washer M8		4
10	N8	Lock nut M8		4+1
11	B650	Hex bolt M6x50		20
12	W6	Washer M6		20
13	N6	Lock nut M6		20+1
14	C8	Steel cable 8ft		2

Installation Instructions

Please read Instructions
COMPLETELY
before assembly.



**DO NOT RETURN
PRODUCT TO THE
STORE**

Missing Parts,
Need Replacements, or
Help with Assembly

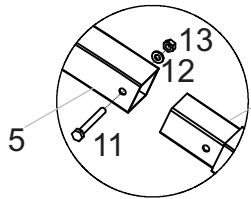
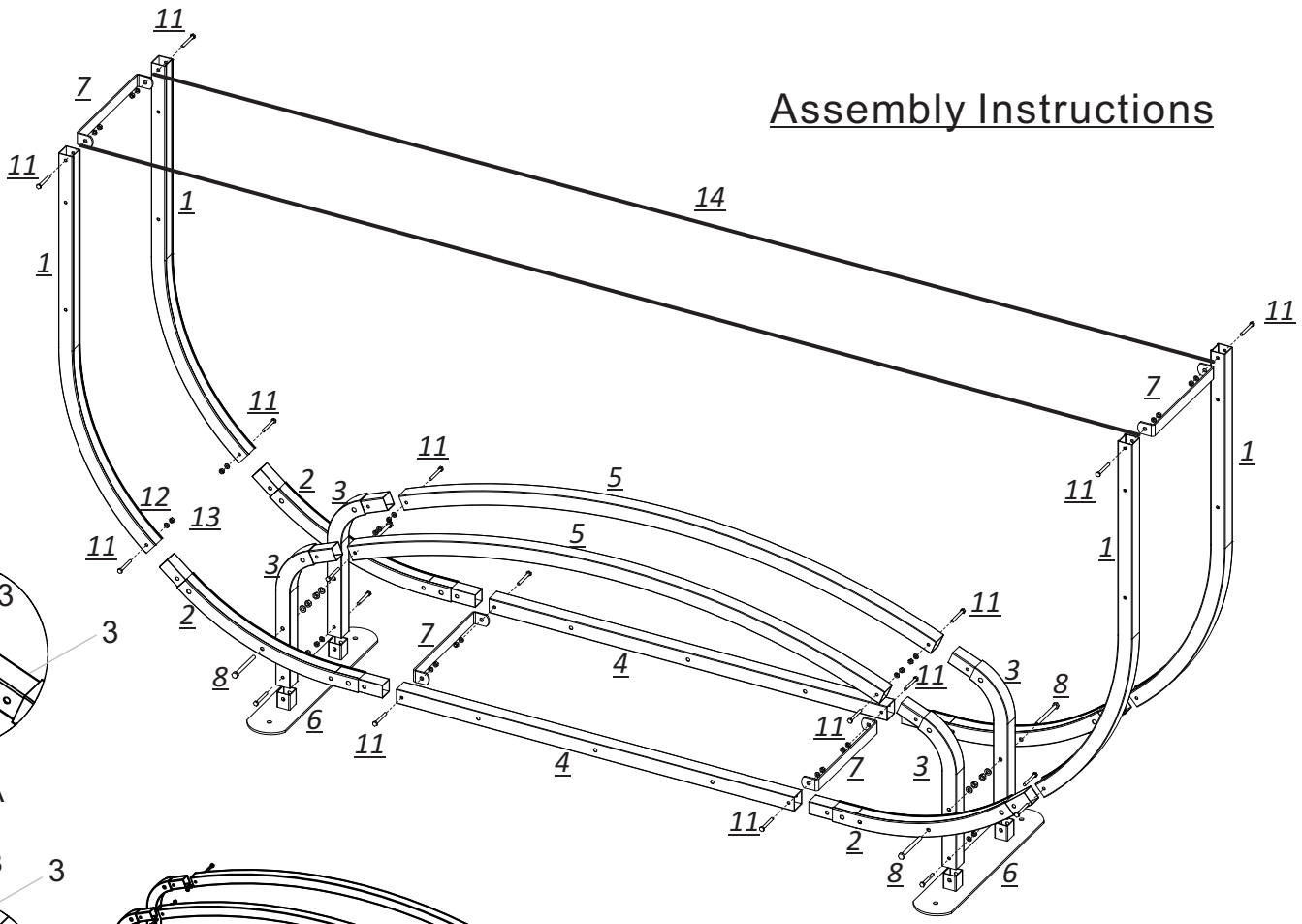
PLEASE EMAIL

Customer Service:

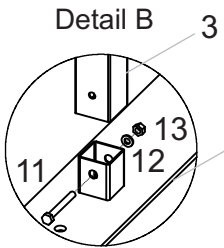
Service@ezgoal.net

203 933 4442
West Haven, CT 06516

Assembly Instructions



Detail A



Detail B

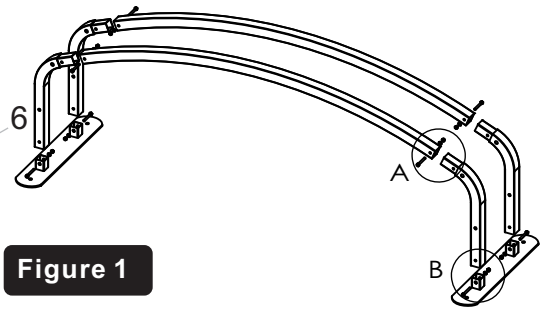


Figure 1

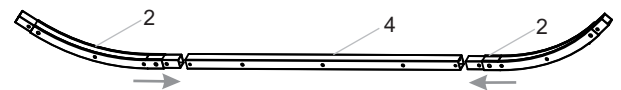


Figure 2

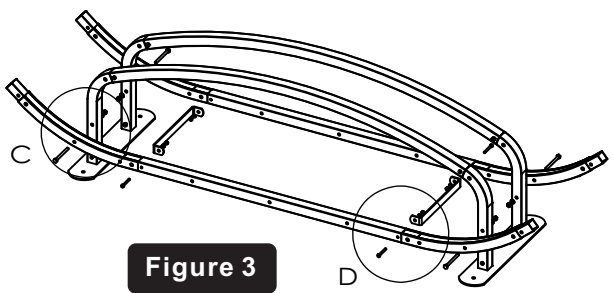
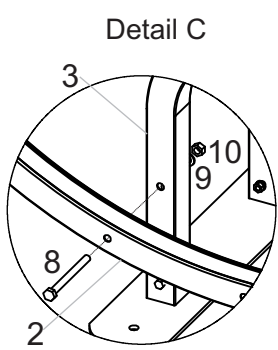
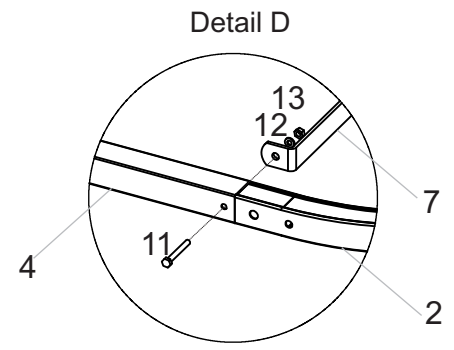


Figure 3



Detail C



Detail D

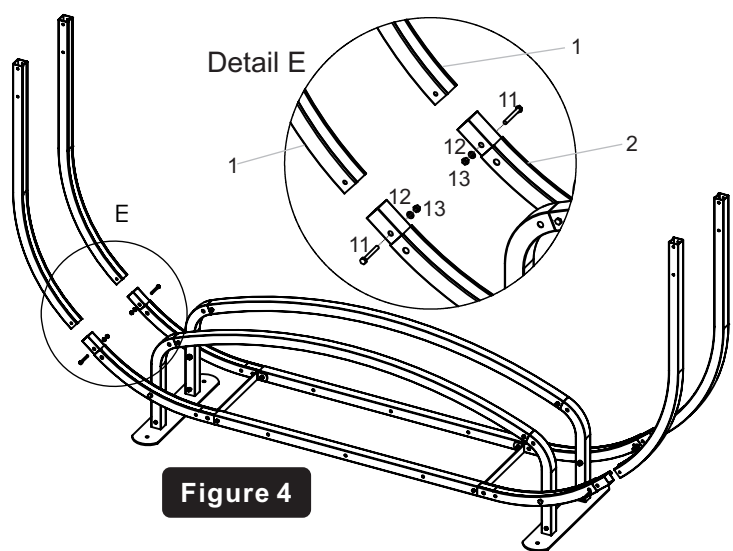


Figure 4

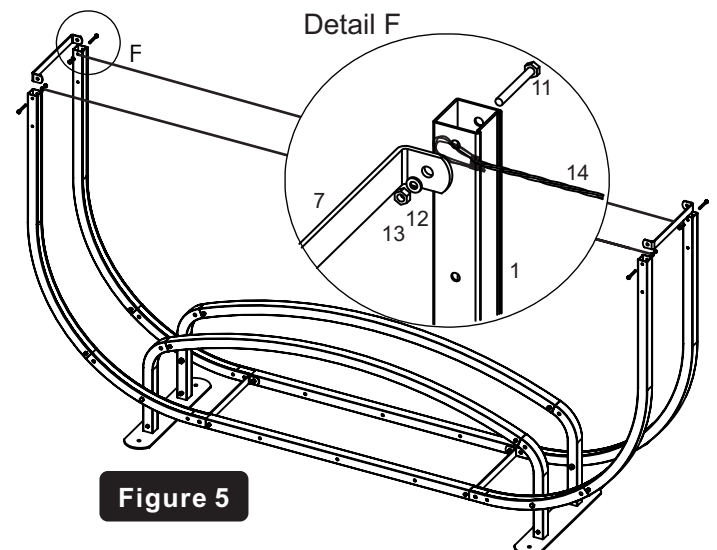


Figure 5