

**EZ BUILDER™**

# FRAMER SHED KIT #503

8 ft x 10 ft ASSEMBLY MANUAL

**LOT#:**



## Customer Service

*If you have a question or concern*

**Email: [service@neopmail.net](mailto:service@neopmail.net)**

**or call 203-591-9033**



*Monday-Friday 8:30am-4:30pm EST*

PDF manual <https://ezgomanuals.com>

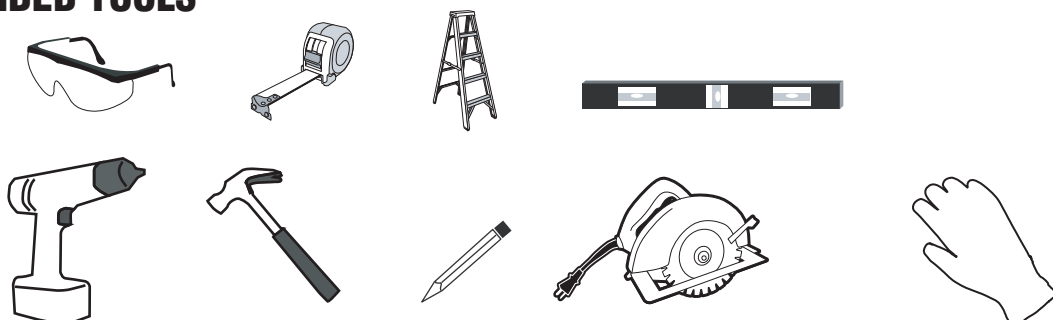
**DO NOT RETURN TO THE STORE!**

# Please read instructions fully before beginning assembly

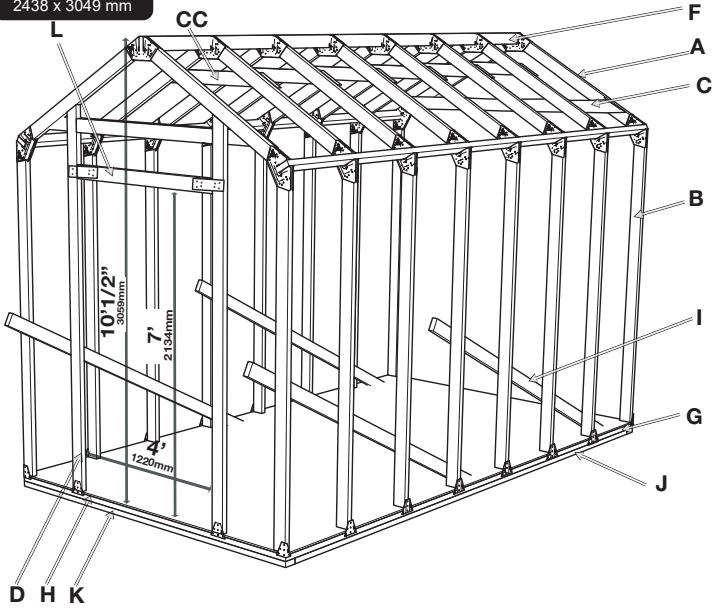
## MATERIAL LIST BY BUILDING SIZE

8 ft. wide x 10ft. long		
1	Ez Builder kit	2
2	8 ft. 2x4's	29
3	10 ft. 2x4's	17
4	12 ft. 2x4's	\
5	14 ft. 2x4's	\
6	16 ft.2x4's	\
7	8 ft. Pressure-Treated 2x4's	9
8	10 ft. Pressure-Treated 2x4's	2
9	12 ft. Pressure-Treated 2x4's	\
10	14 ft. Pressure-Treated 2x4's	\
11	16 ft. Pressure-Treated 2x4's	\
12	8 ft. 2x4's Temporary Bracing	4
13	4x8 Sheets for Roof - 1/2 in.	4
14	4x8 Sheets for Sheathing- 1/2 in.	10
15	4x8 Sheets for floor 3/4 in.	3
16	Roofing Material	100 SQ.ft.
17	1  1/4 in. 32mm Galvanized wood screws	4 lbs./ 1.9kg
18	2  1/2 in. 64mm Galvanized wood screws	4 lbs./ 1.9kg

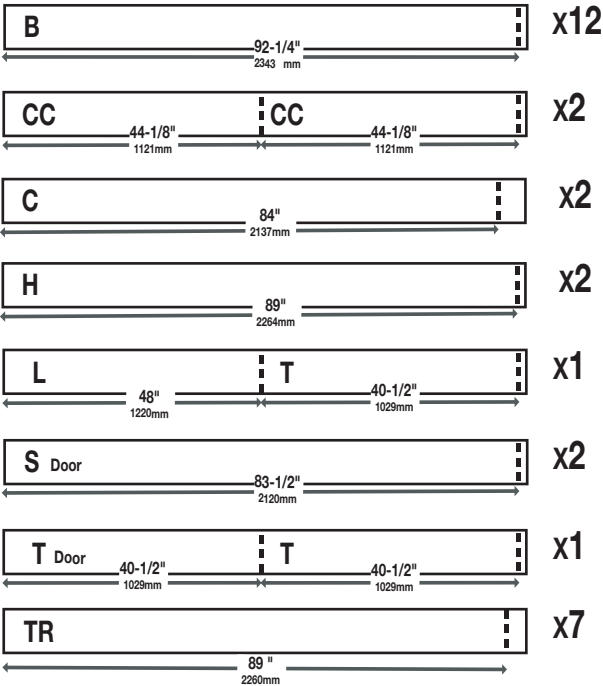
## RECOMMENDED TOOLS



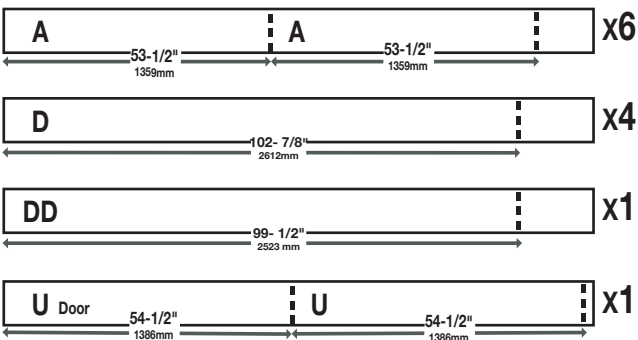
8 ft. x 10 ft.  
2438 x 3049 mm



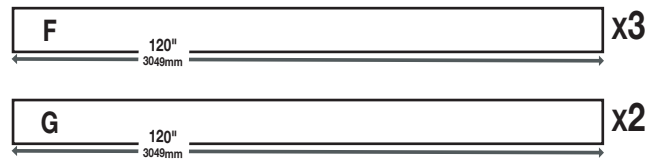
**2x4 x 8ft.** 38x89x2438mm



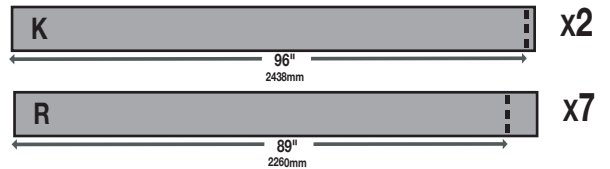
**2x4 x 10ft.** 38x89x3049mm



**2x4 x 10ft.** 38x89x3049mm



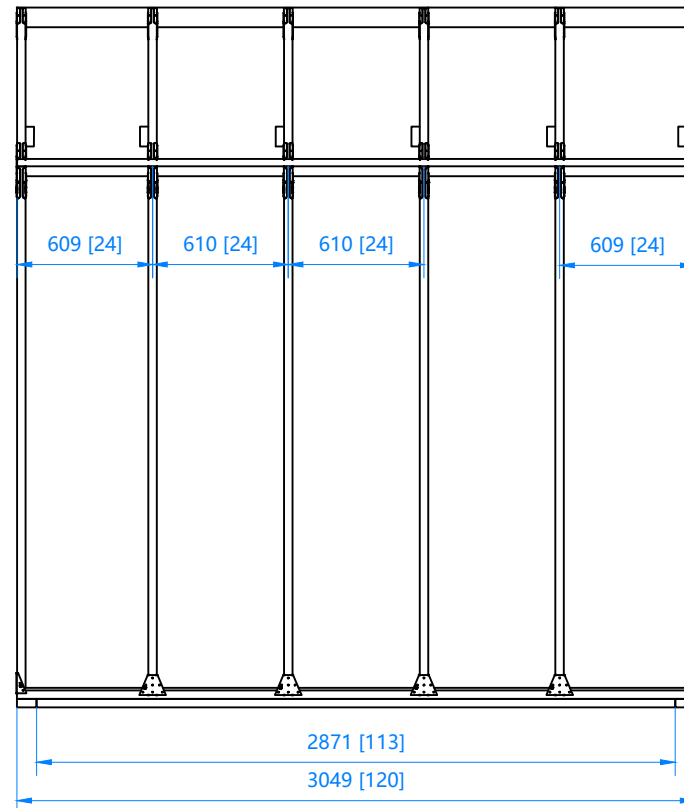
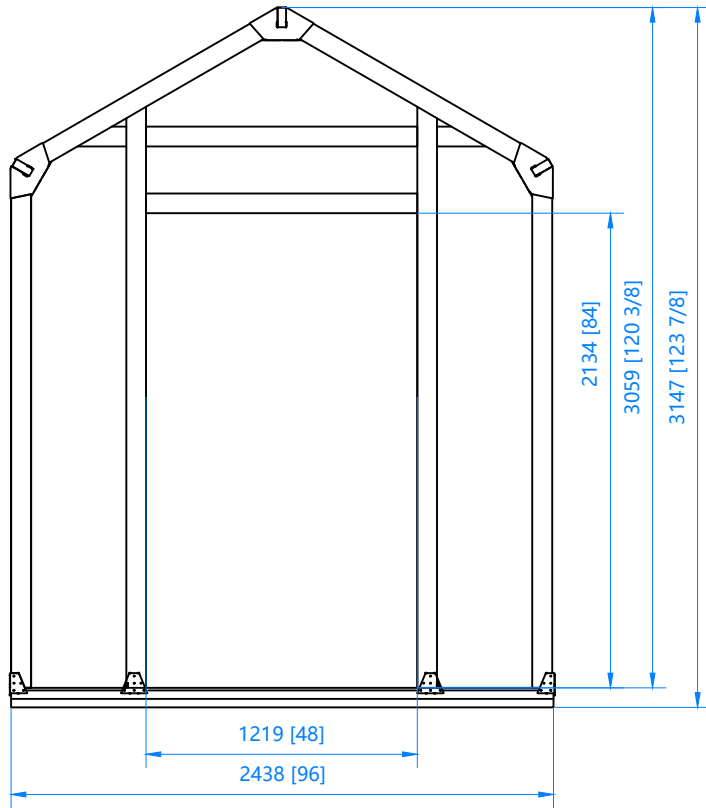
**2x4 x 8ft.** 38x89x2438mm  
Pressure treated



**2x4 x 10ft.** 38x89x3049mm  
Pressure treated



8'x10'



REF:  
**503**

Item:

Dimension:(mm)

Ver.

**A**

Part

Material:

Finish

DW  
**BL** 2021 6 17

Page

**1** / 5

**NEW ENGLAND  
OUTDOOR PRODUCT**

REF:  
**503**

Item:

Dimension:(mm)

Ver.  
**A**

Part

Material:

Finish

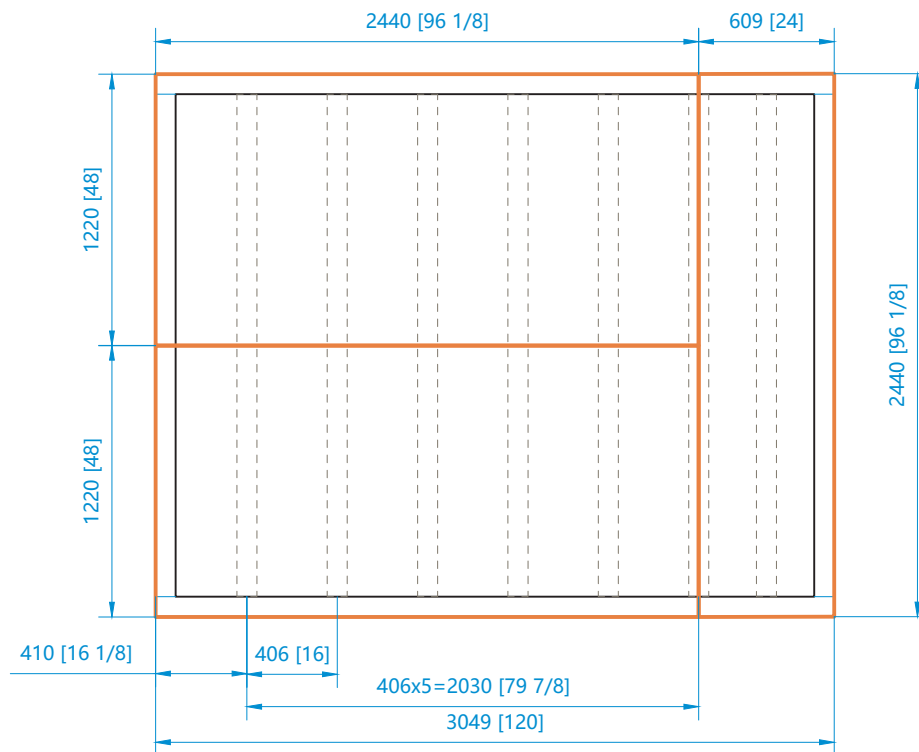
DW  
**BL** 2021 6 17

Page

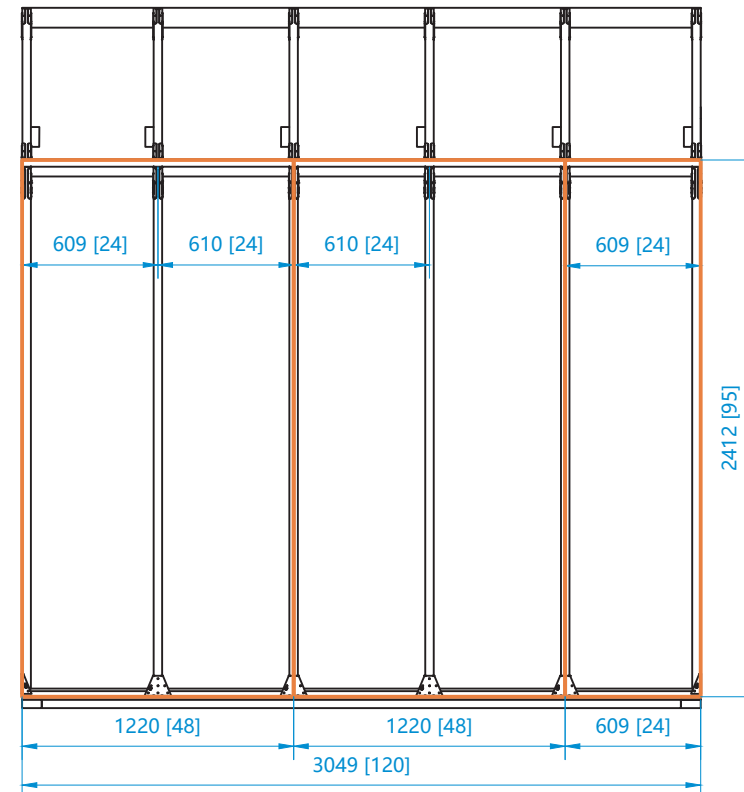
**2 / 5**

**NEW ENGLAND  
OUTDOOR PRODUCT**

## Base



## Side Wall



REF:  
**503**

Item:

Dimension:(mm)

Ver.  
**A**

Part

Material:

Finish

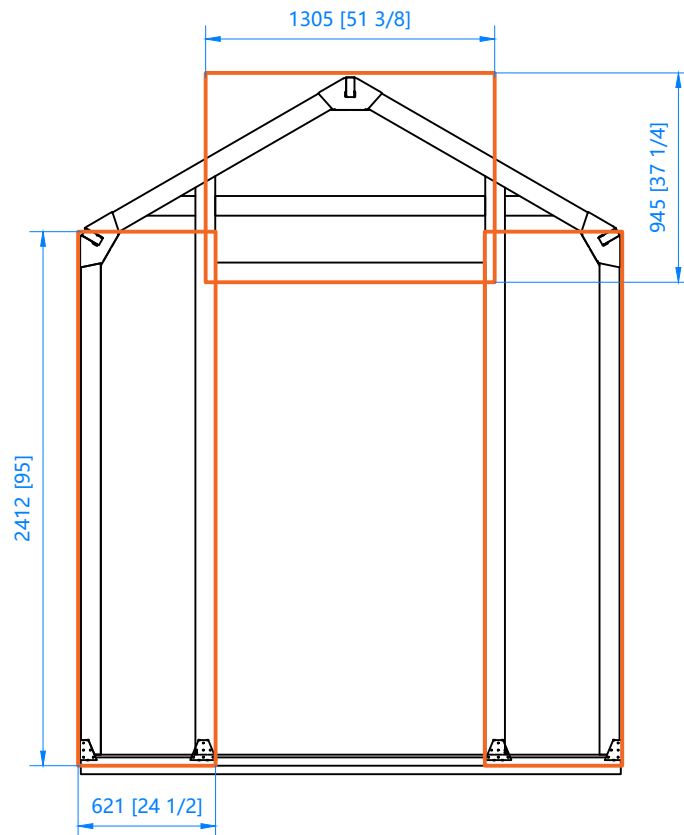
DW  
**BL** 2021 6 17

Page

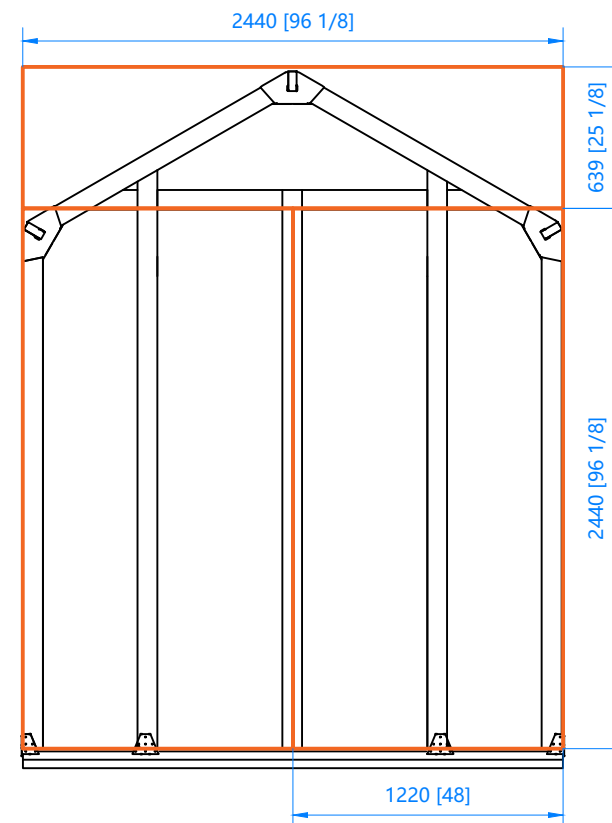
**3** / 5

**NEW ENGLAND  
OUTDOOR PRODUCT**

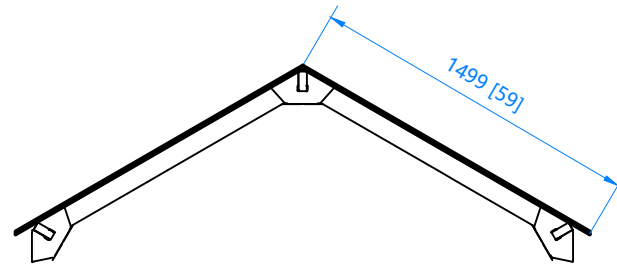
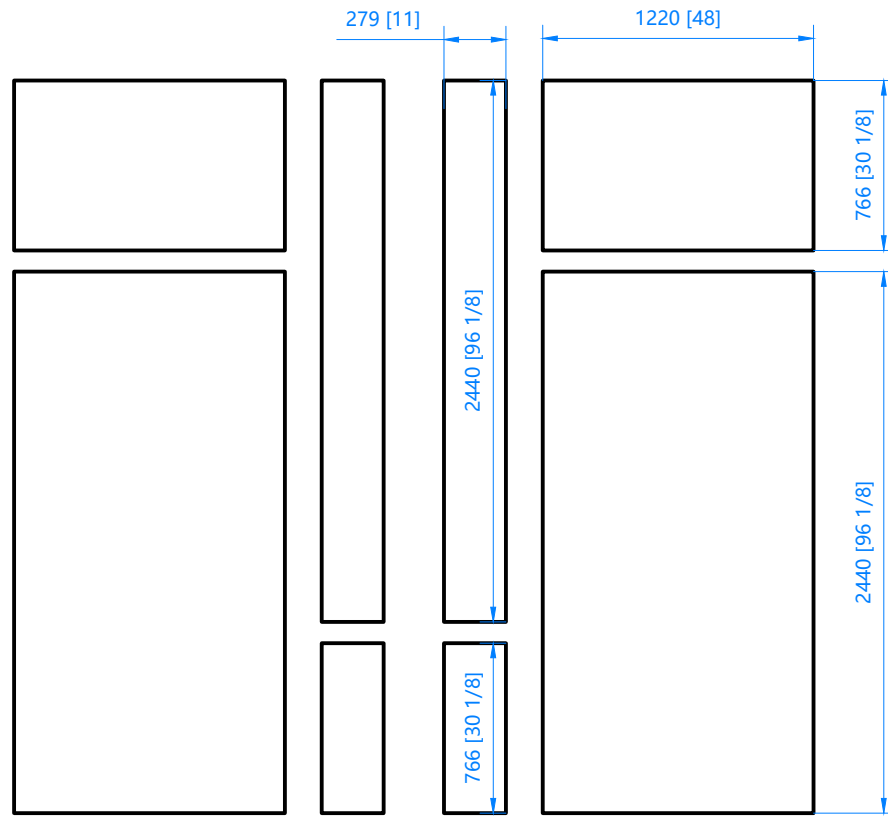
**Front**



**Back**



# Roof



REF:  
**503**

Item:

Dimension:(mm)

Ver.  
**A**

Part

Material:

Finish

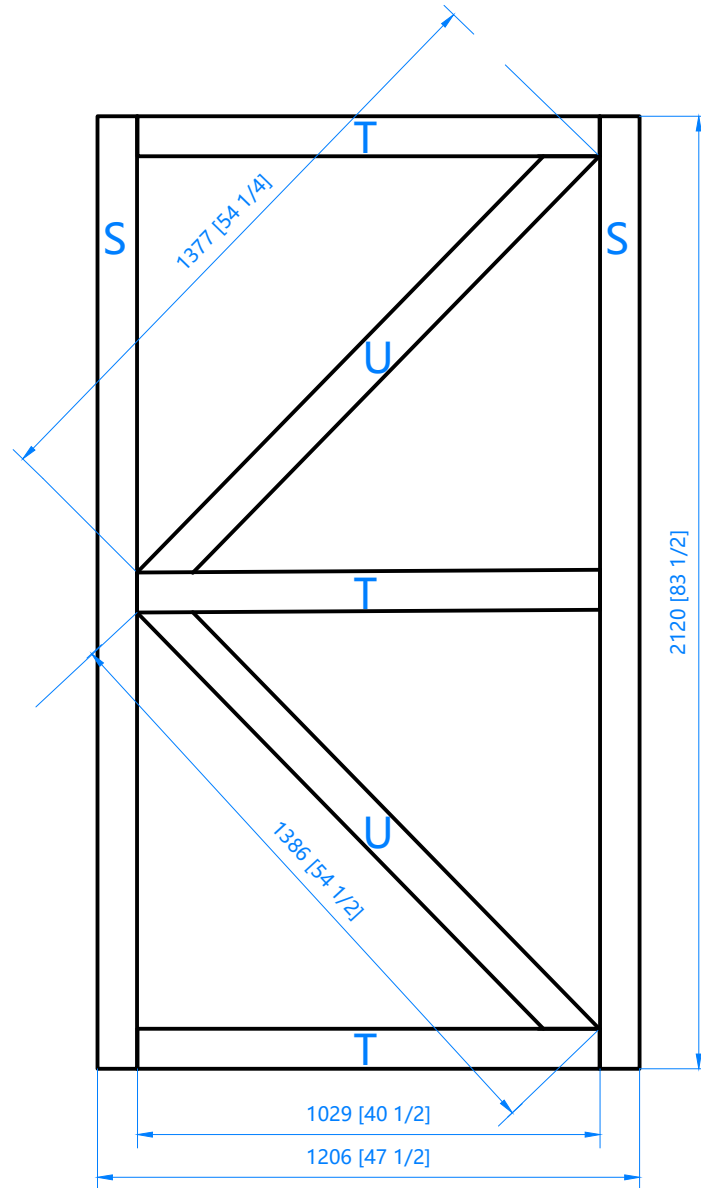
DW  
BL 2021 6 17

Page

**4 / 5**

**NEW ENGLAND  
OUTDOOR PRODUCT**

# Door



REF:  
**503**

Item:

Dimension:(mm)

Ver.

**A**

Part

Material:

Finish

DW

BL 2021 6 17

Page

**5 / 5**

**NEW ENGLAND  
OUTDOOR PRODUCT**