

12'x6' KICKBACK / SOCCER GOAL ASSEMBLY INSTRUCTIONS



U.S. Patent Nos. 6,558,279 6,652,395
Canadian Patent No. 2,313,845

And Other Patents Pending

Note: Precision Connections will fit snugly. Use a rubber mallet or block of wood if needed.

Work on a smooth, flat surface. Lay out all components so they are in easy reach.
Read assembly instructions completely to familiarize yourself with the components.

NO.	Drawing	Description	Part #	Qty.
1		Top, bend front 2" tube	S-01	1
2		2" Top, bend tube with swedge	S-02	1
3		2" Front, Top, base tube with swedge.	S-03	4
4		Folding section	S-04	2
			S-05	
5		Upright Side Frame	S-06	2
6		1.25" Back Base Bend	S-08	1
7		1.25" Back Base Bend with swedge	S-09	1
8		1.25" Back Base Extension with swedge	S-10	2
9		2" Rebounder Bottom tube with swedge and hook	S-11	1
10		2" Rebounder Bottom tube with hook	S-12	1
11		Side Bar Assembly	S-13	2
			S-14	
			S-19	
12		1.25" Bottom Side Base tube with slot	S-16	2

Installation Instructions

Please read instructions
COMPLETELY
before assembly.



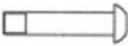








**DO NOT RETURN
PRODUCT TO THE
STORE**

**Missing Parts,
Need Replacements, or
Help With Assembly**

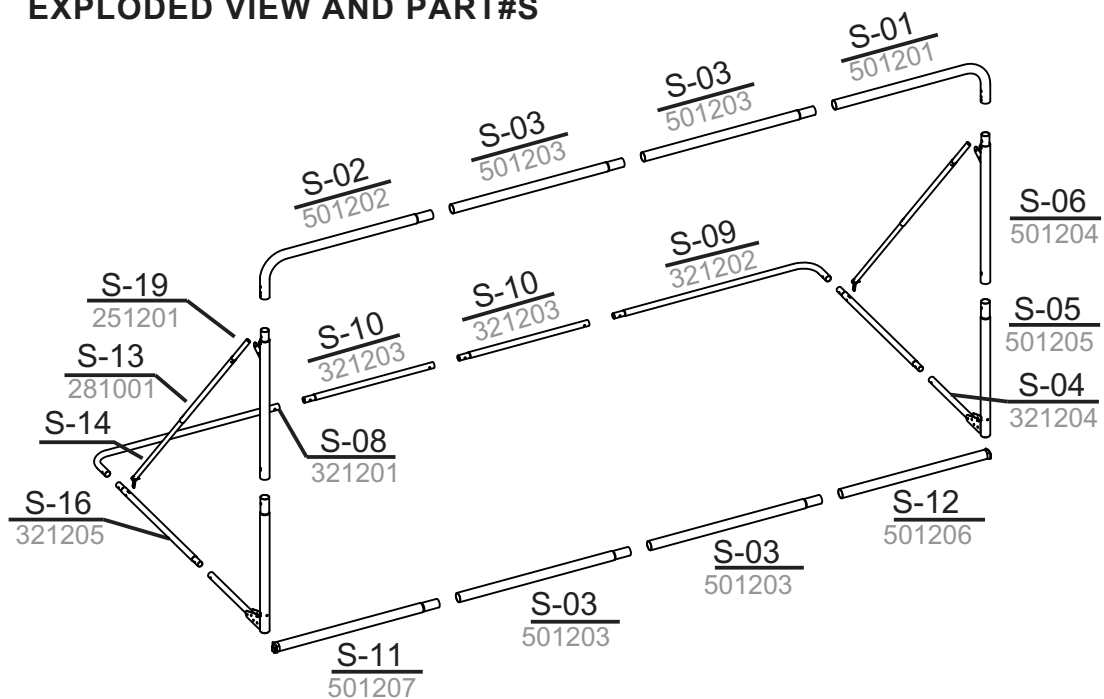
Please Contact
Customer Service:
203 591 9032

WATERBURY, CT 06710, U.S.A



NO.	Drawing	Description	Part #	Qty.
13		8mm Allen bolt	3810	2
14		8 mm Self Locking nut	008 Spar	2 1
15		Pull Pin 65mm 2 ^{5/8} "	5265	4
16		5mm Black bungees	9154 Spar	30 2
17		5mm Black bungees with hook	9155 Spar	11 1
18		12'x6' Soccer Net	69222	1
19		Allen Wrench	018	1
20		Wrench	017	1
21		15" Rope	9144	1

EXPLODED VIEW AND PART#S



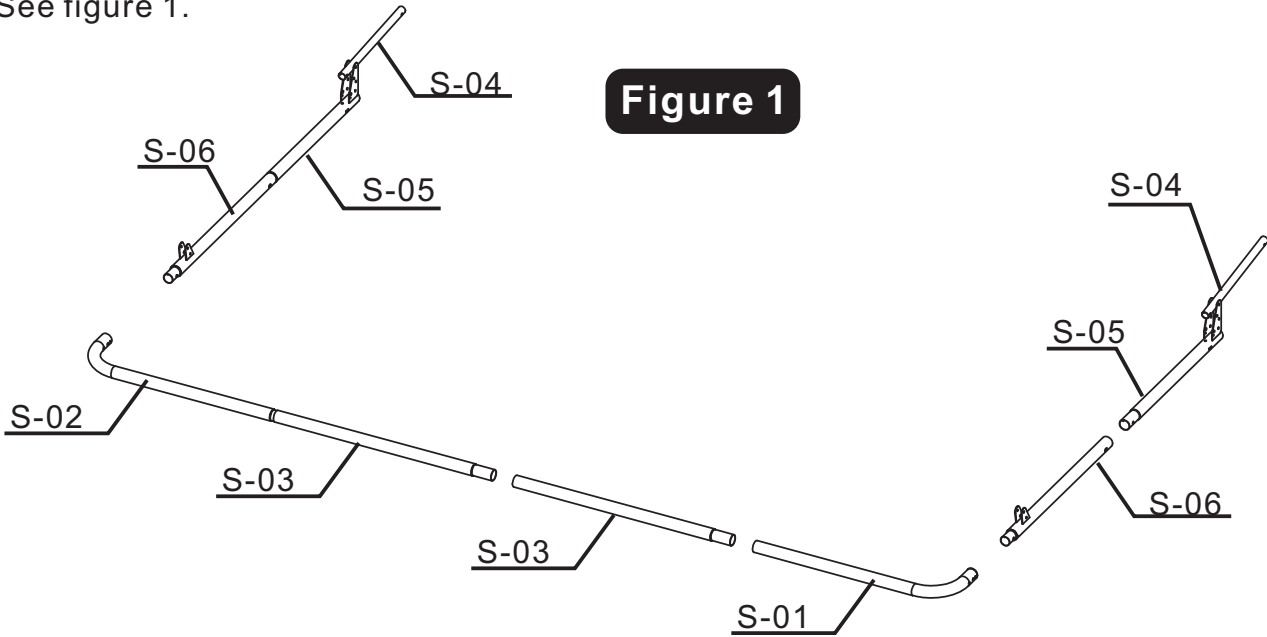
FRAME ASSEMBLY

Note: Precision Connections will fit snugly. Use a rubber mallet or block of wood if needed.

STEP 1

Connecting front face parts together.

Lay out parts for front face (blue pieces) on a large flat surface. Snap pieces together. See figure 1.



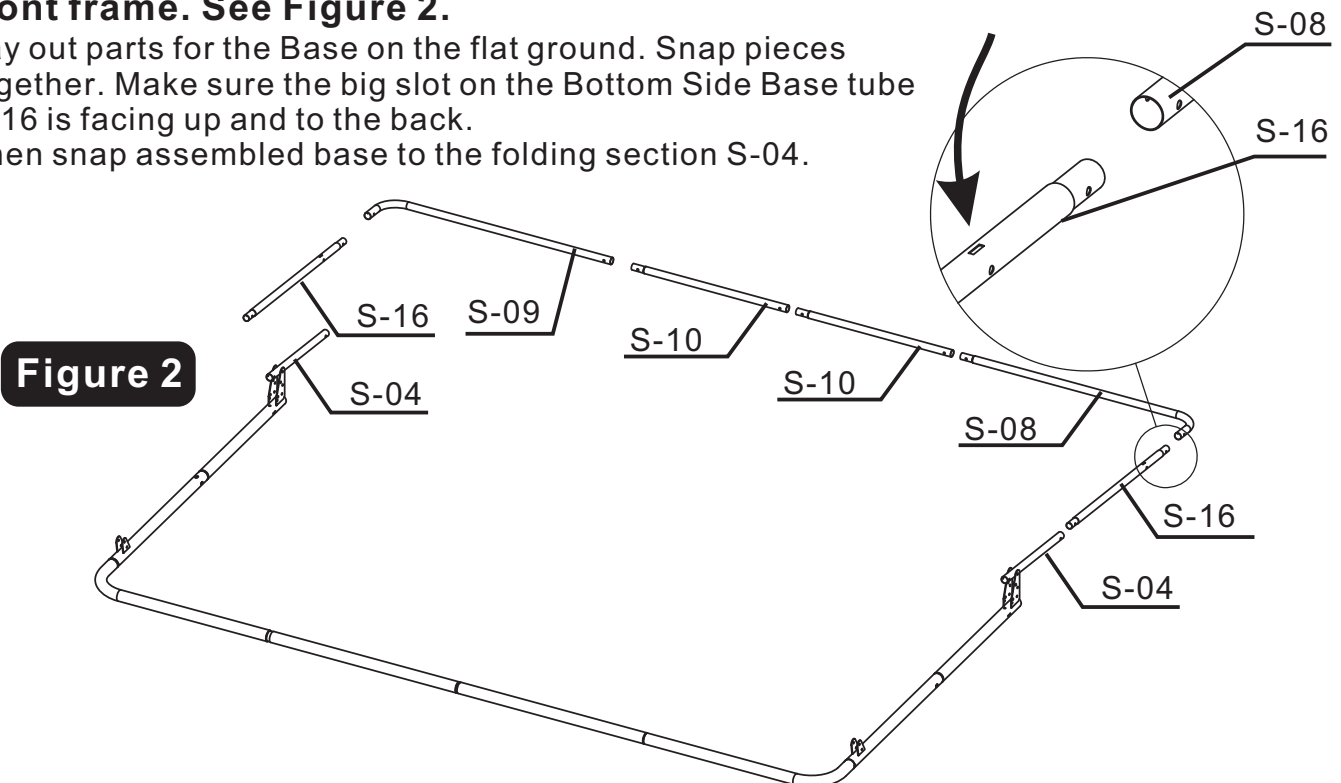
STEP 2

Assembling base parts and connecting it to the front frame. See Figure 2.

Lay out parts for the Base on the flat ground. Snap pieces together. Make sure the big slot on the Bottom Side Base tube S-16 is facing up and to the back.

Then snap assembled base to the folding section S-04.

Big slot faces up & to the back



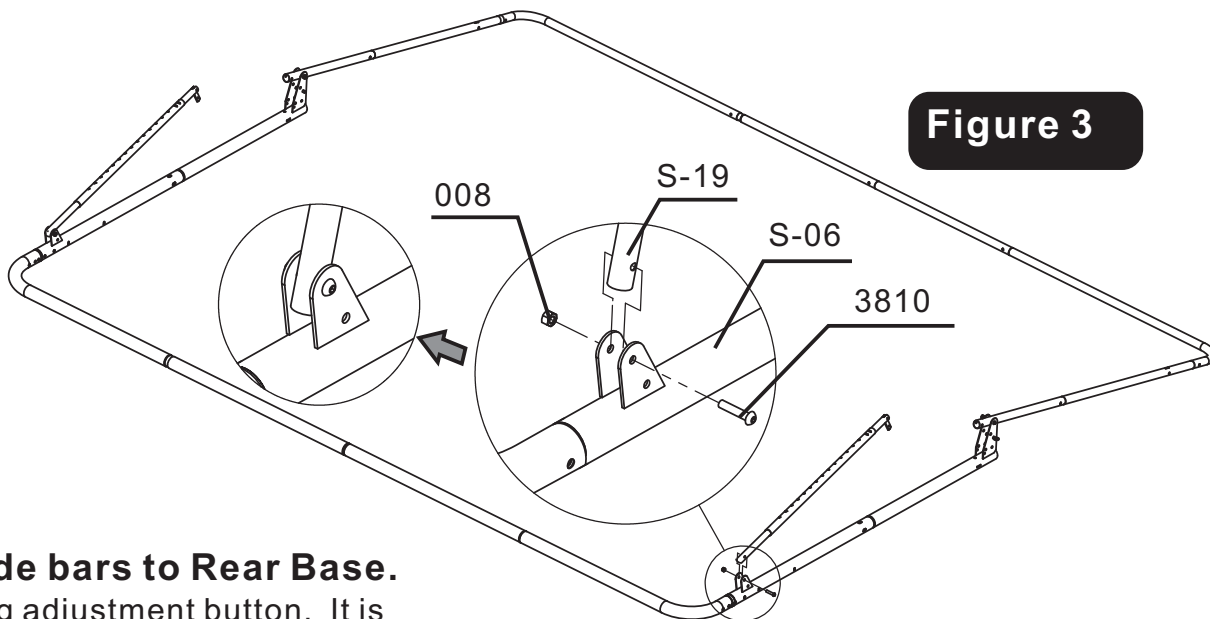
FRAME ASSEMBLY

STEP 3

Attaching side bars/Side Tilting Assembly

Connect the Side tube S19 to the front tube S-06, using the bolts 3810, and Nuts 008. See **Figure 3**.

Face the side part S-13 so the holes are on top.



STEP 4

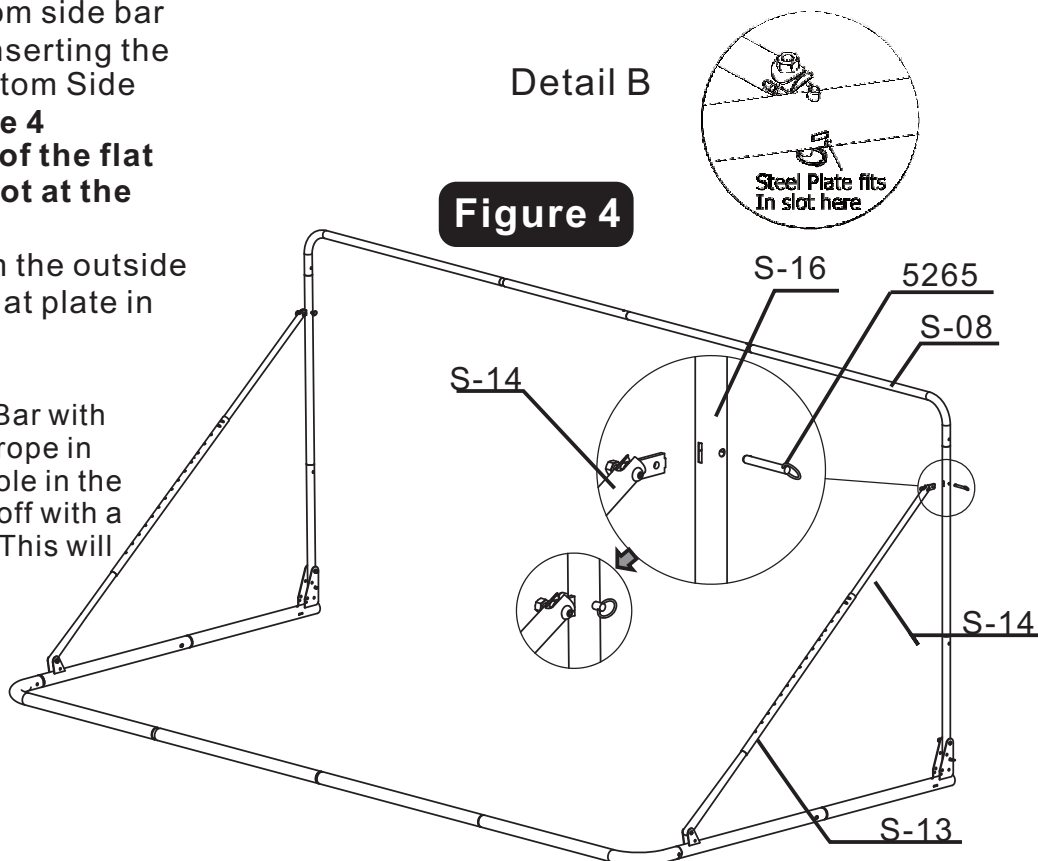
Connect side bars to Rear Base.

Press the tilting adjustment button. It is located on the center tube with many holes. Extend the sides bars. Lift up the rear base, connect the bottom side bar S-14 to the Base frame by inserting the plate into the slot on the Bottom Side Base Tube S-16. See **Figure 4**
Make sure the farther end of the flat plate fit into the smaller slot at the bottom of Base tube S-16.

Insert the Pull Pin 5265 from the outside of the goal in to secure the flat plate in place. See **Detail B**.

Attach the Pull Pin to the Side Bar with the rope provided. Cut the 15" rope in half, insert through the small hole in the Side Bar Plate on S-14 and tie off with a knot. Tie Pull Pin to other end. This will prevent losing the pull pins.

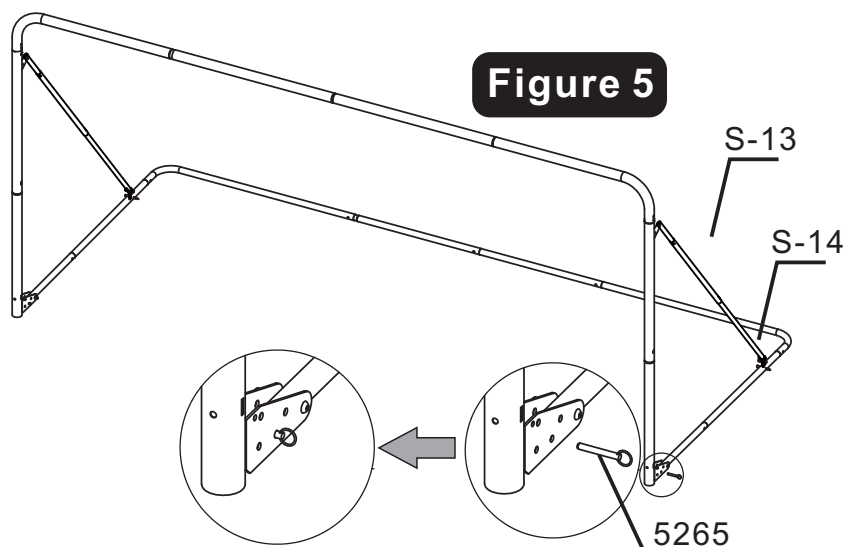
Detail C



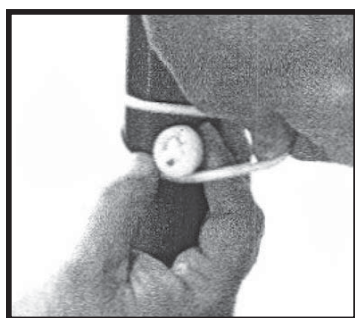
FRAME ASSEMBLY

STEP 5

This step requires 2 adults.
Flip the goal up.
Insert the pull pin 5265 through bracket at the bottom of Folding section S-05 and Base tube S-04.



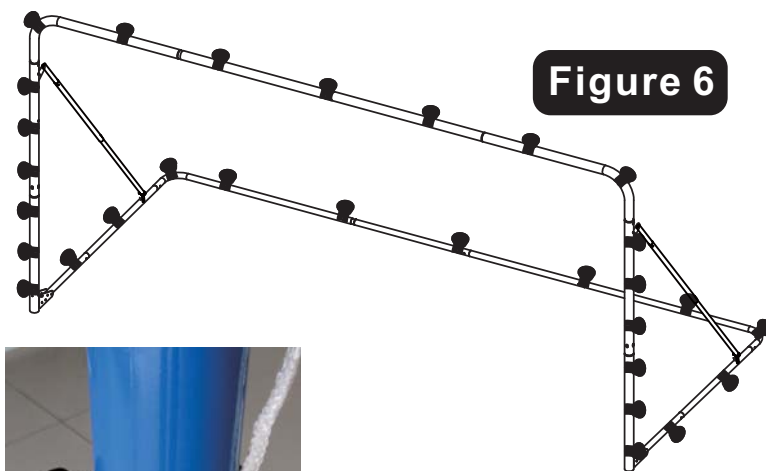
FRAME ASSEMBLY COMPLETE



GOAL ASSEMBLY

For Soccer and Kickback

Figure 6



WARNING

Use extreme caution when assembling this net to the frame. The bungee cords will be under extreme tension and must be attached carefully. Adult assembly is strongly recommended.

When playing any sport, always wear the recommended safety equipment such as helmets, pads, face and chest guards.

STEP 1

Drape net over top portion as shown.
Allow net to hang down each side evenly. Drape net over rear support bars to the ground.

STEP 2

Attach net with bungees using this bungee location layout. Line bungees up from top to bottom and side to side. Improper net attachment could result in damage or injury.

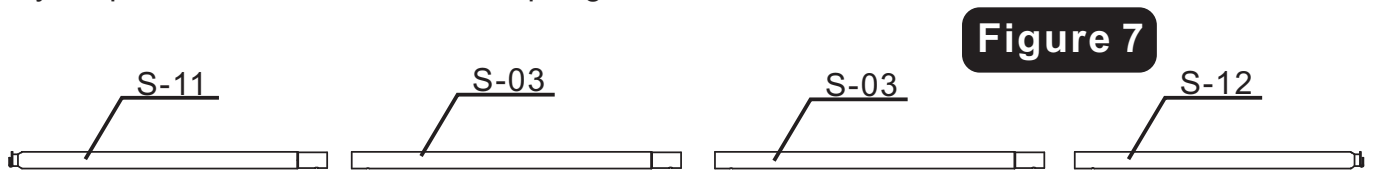


KICKBACK/REBOUNDER ASSEMBLY



STEP 1

Layout parts for Kickback bar. Snap together.



STEP 2

Attached 11 bungees with hook to the kickback bar. Be sure to locate bungees evenly on the bar.

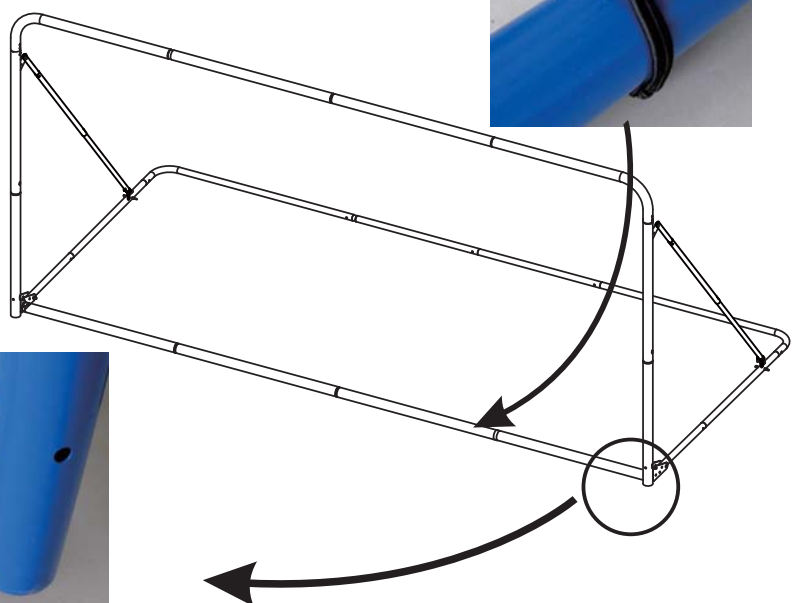
Lift Base and hook Bar onto upright frame.

Figure 8

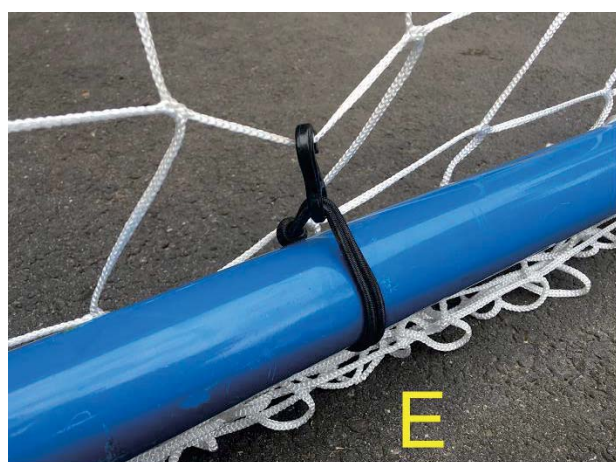
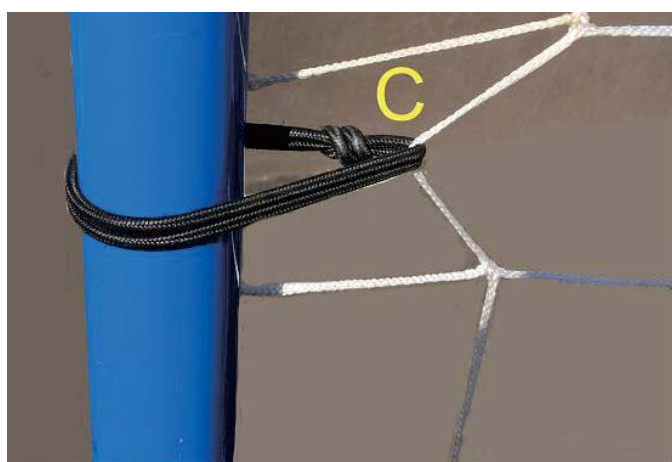
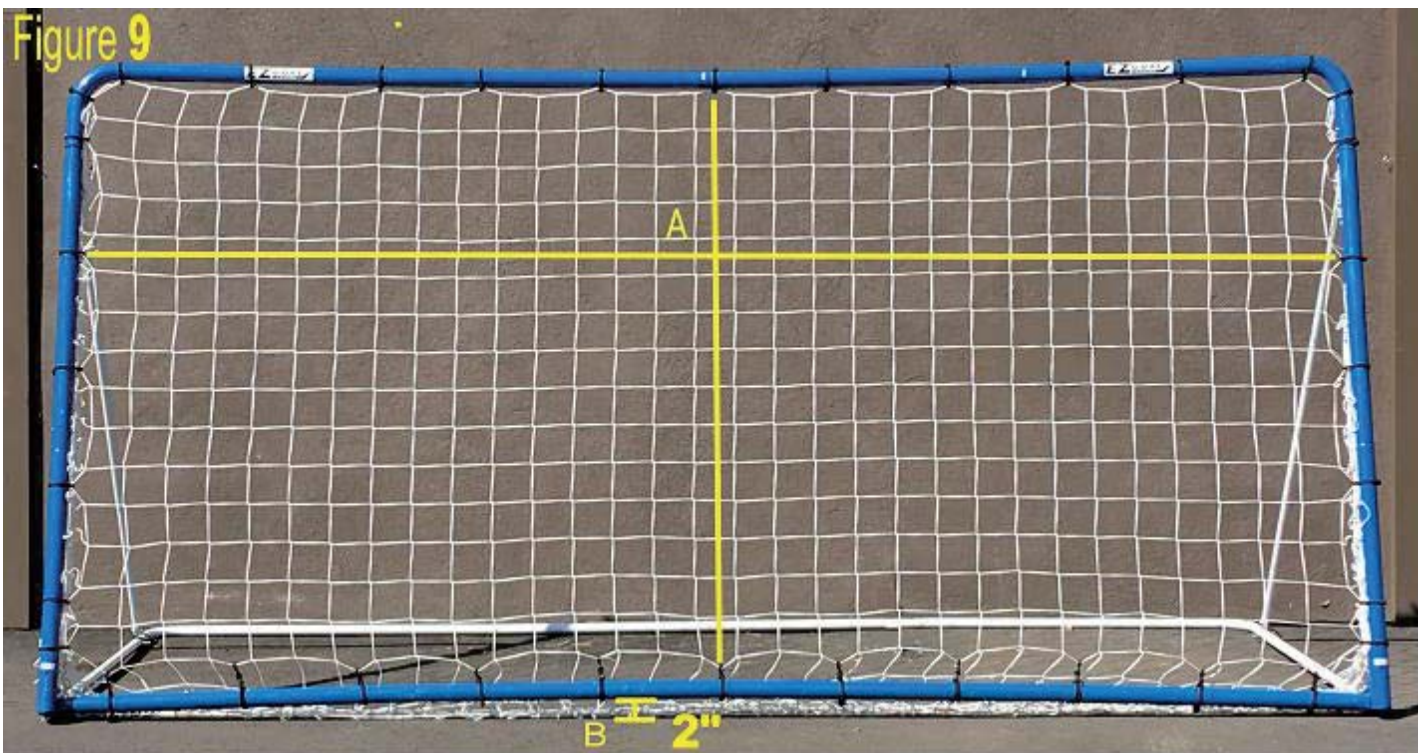
Front bottom bar.



Front bottom bar.



Soccer Kickback Rebounder Assembly



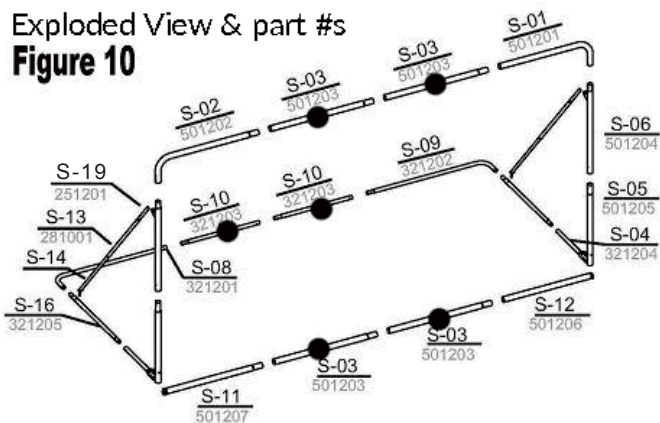
The net changes easily from a soccer goal to a kickback. Disconnect the net on all sides of the goal except for the top, which will remain connected. Connect the remaining three sides of the net to the front of the goal. Use the bungees to connect the net to the pipe. **The more tension that is created with the side bungees the more intense the rebound will be.** A bungee will be placed approximately every **3 boxes**, evenly on each side, as well as top and bottom and 2 on the 4 corners. **NOTE:** Use the lines on the net to line the bungees up evenly on each side. This is important for proper rebounding. **See Detail A** Be sure that when the net is tensioned the bottom tube is not bowing up more than **2"** inches from the ground. **See Detail B** The bottom bungee with the hook should be stretched a $\frac{1}{2}$ " to an **1"**. **See Detail E** **NOTE:** The side bungees can be stretched to have more tension for the extra bounce needed up to **2"**. **See Detail C** (If the netting stretches, tighten as necessary.)

NOTE: After the kickback net is properly installed there will be extra netting on the sides and bottom. If you would like you can use the extra bungees to secure the extra netting to the frame so that it is not laying on the ground. When the netting is tied up, it makes a great place to store balls



The Soccer goal can be made smaller by removing the center 1 or 2 sections of the main goal, bottom kickback tube and the smaller white back tubes from **12' to 9' or 6' wide**. Take the extra netting and bungee it to the frame. See the black dots in Figure 10

Exploded View & part #s
Figure 10



FOR MULTI-ANGLE REBOUNDING:
Remove Pull Pins from Folding Sections. Now shorten the Adjusting Bar (S-13) on one side. You can twist that side down and back to achieve the multi-angle function.

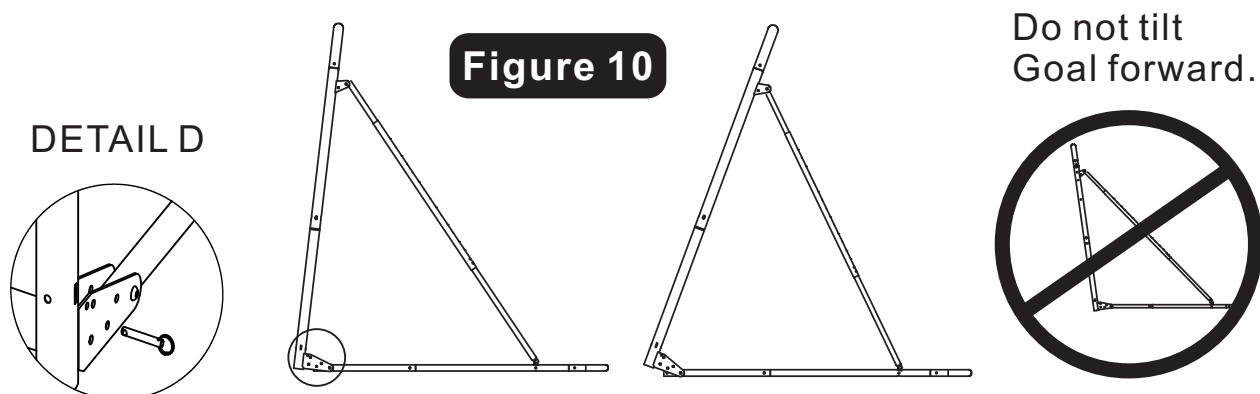


Tilting the Kickback for Rebounding

Your goal can be adjusted to various angle for different games.

Note:

1. Remove the bottom pull pin before adjusting. See Detail D.
2. Do not tilt Goal forward. Can cause injury.

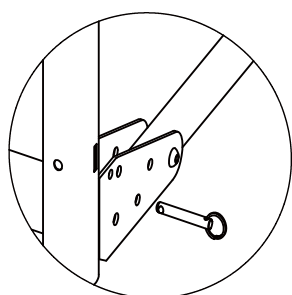


How to adjust the goal angle for in air Rebounding.

You can adjust the angle of your goal by adjusting Side Bar.

Pull both bottom folding pull pins out before Adjusting side bars. Store pull pins on folding sections front extra holes.

1. Push the middle Button in, twist the bar to Right.
2. Do the same with the other Side bar.
3. Adjust the tilting Angle.
4. Twist both bars back to the Left, relocate buttons in holes.



Pull the pull pins out of Folding section before adjusting side bars for tilting. Pins will not go back in while rebounder is tilted.

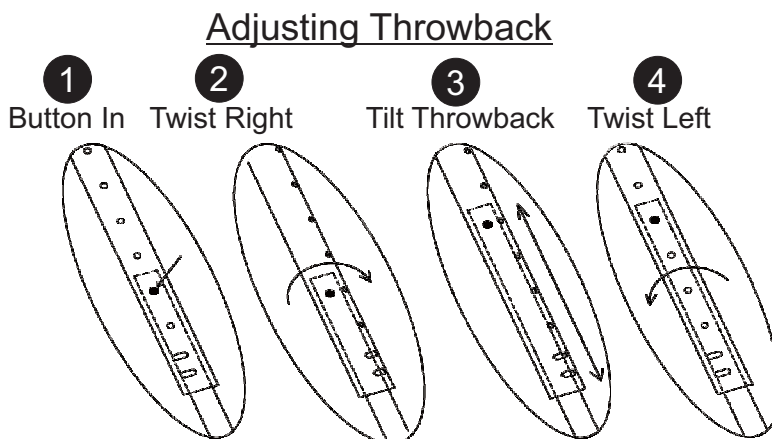


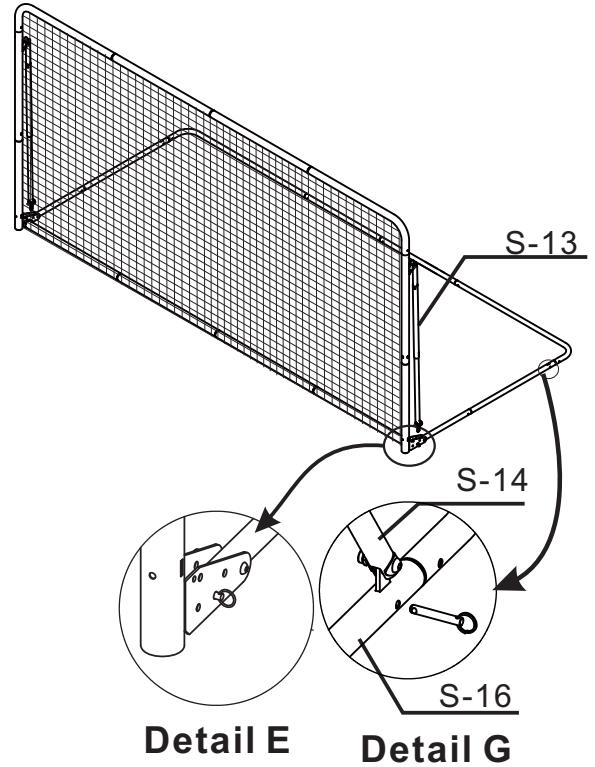
Figure 11

FOLDING & STORAGE

STEP 1

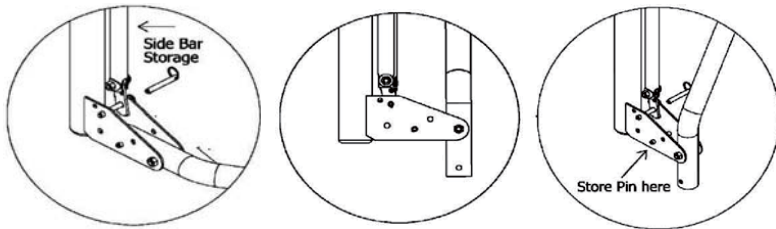
Remove the Pull pins from the Base S-16, See detail G, Press button on the adjusting bar, right turn, slide bottom part of side bar S-14 up to adjusting bar S-13.

Note: Make sure the Pull pin in the folding section is locked in place before or when you remove the side bars from the Base. See detail E.



STEP 2

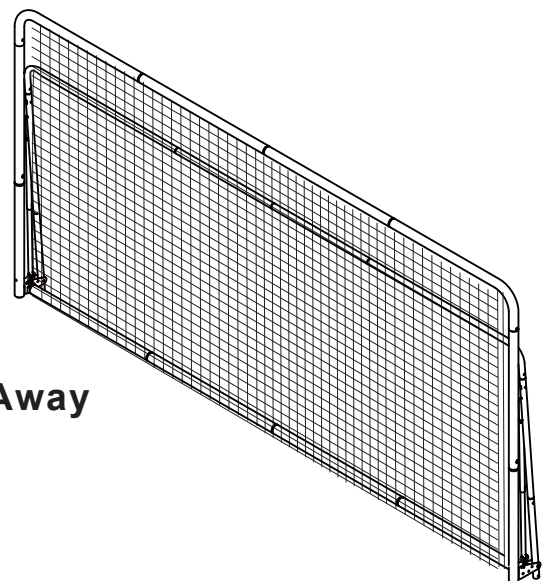
Extend side bar to proper length, insert the flat plate at the bottom of side bar to the slot on the folding section.



STEP 3

Hold the upright section. Remove the Pull Pin from the folding section, now fold the Base up towards the Front face. Place it against stable wall or storage area.

Use a couple bungees to hold the folded frame together. Store in a dry area.



Play All Day - Fold It Away



REPLACEMENT PARTS AND NETS

All parts and net are replaceable if lost or damaged.

Visit: EZGoal.net, Email or Call Customer Service:

Service@ezgoal.net • 203-591-9032



CUSTOMER ASSISTANCE

For help, replacement parts, questions or concerns about your EZ Goal Products, EMAIL or Call

EZ Goal Sports
Customer Service:

WATERBURY, CT 06710, U.S.A

Service@Ezgoal.net or **203 591 9032**

SAFETY PRECAUTIONS



WARNING

- Manufacturer suggests wearing safety goggles for net assembly, to protect against bungee cords hitting eye.
- As with any play equipment, children **MUST** be supervised at all times.
- Use product on a level surface.
- Never use near steps or stairs.
- For outdoor use only.
- Allow 8 feet from structures such as a fence, garage, house, overhanging branches, laundry lines, or electrical wires.
- Use common sense, and all the same precautions as you would when playing sports.
- Secure unit, so high winds do not blow it over.



WARNING

- **NEVER** allow anyone (people or pets) to stand behind the net or in any possible path of a ball or puck should you miss the net or should the ball or puck go through the net.
- Inspect unit before and during each use. Replace any worn or damaged parts.
- Never allow children to stand on unit. This could cause damage to unit and result in an injury.
- Do not use bungees for any other purposes other than to apply net.
- As with any sporting activity, always wear the recommended safety equipment.
- Never leave children unattended.
- Use protective eyewear when securing bungees.