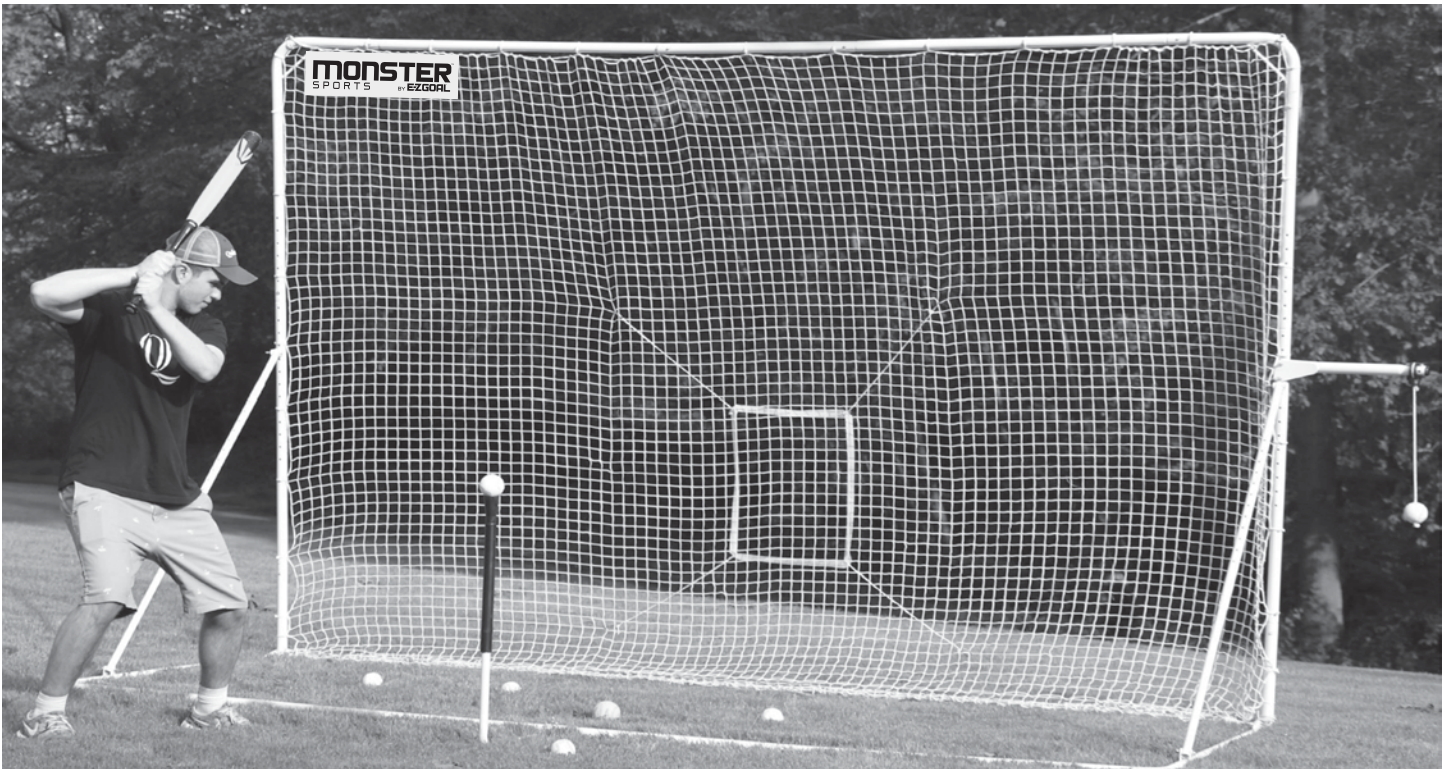


# Monster Baseball Bat-A-Way™ 12'x8' Multi Trainer #901

## ASSEMBLY MANUAL

**LOT#:**

---



## **PARTS ALERT!**

*If you have a question or if there are  
missing parts, please*

**Email: [Service@NEOPmail.net](mailto:Service@NEOPmail.net)**

**or call 203-591-9032**

*Monday-Friday 8:30am-4:30pm EST*



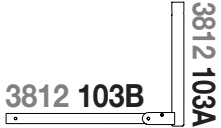
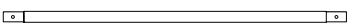
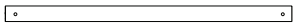

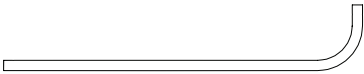
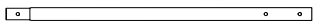

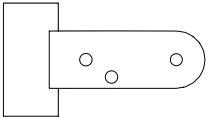

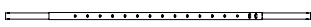
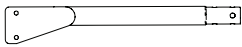


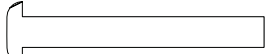
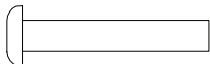
*Missing parts will be sent to you quickly*

**DO NOT RETURN TO THE STORE!**

# Monster Baseball Bat-A-Way™ Multi Trainer

Please read instructions fully before beginning assembly.


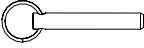
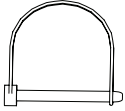

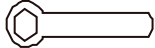

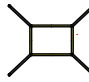

## PARTS LIST

NO	Illustration	Description	Part #	QTY.
1		Top, Corner tube	3812 101	2
2		Straight tube with holes	3812 102	2
3		Folding section	3812 103A 3812 103B	2 2
4		Top side tube	3812 104	2
5		Top middle tube	3812 105	1
6		Bottom side tube	3212 106	2
7		Bottom corner tube	3212 107	2
8		Bottom straight tube	3212 108	1
9		Bottom straight tube	3212 109	1
10		Bracket T bar	3212 110	1
11		(#11A) T bar bend tube (#11B) black rubber T bar	3212 111 3212 112	1 1
12		Side tilting section	3212 113	2
13		Bat-A-Way Bar	3212 114	1
14		Baseball	69224	1
15		Main net	69225	1
16		Bolt M8-45mm	0845	8+1*
17		Bolt M8-40mm	0840	3+1*

# Monster Baseball Bat-A-Way™ Multi Trainer

**Please read instructions fully before beginning assembly.**

## PARTS LIST

NO	Illustration	Description	Part #	QTY.
18		8mm self locking nut	008	11+ 2*
19		60mm Pull pin	6592	3
20		70mm 2 3/4" Safety pull pin	40532	2
21		Allen wrench	018	2
22		Wrench	017	1
23		14" Rope	14105	45
24		Pitching target	11824	1
25		Bungee	9154	4

\* Additional part if lost

# Monster Baseball Bat-A-Way™ Multi Trainer

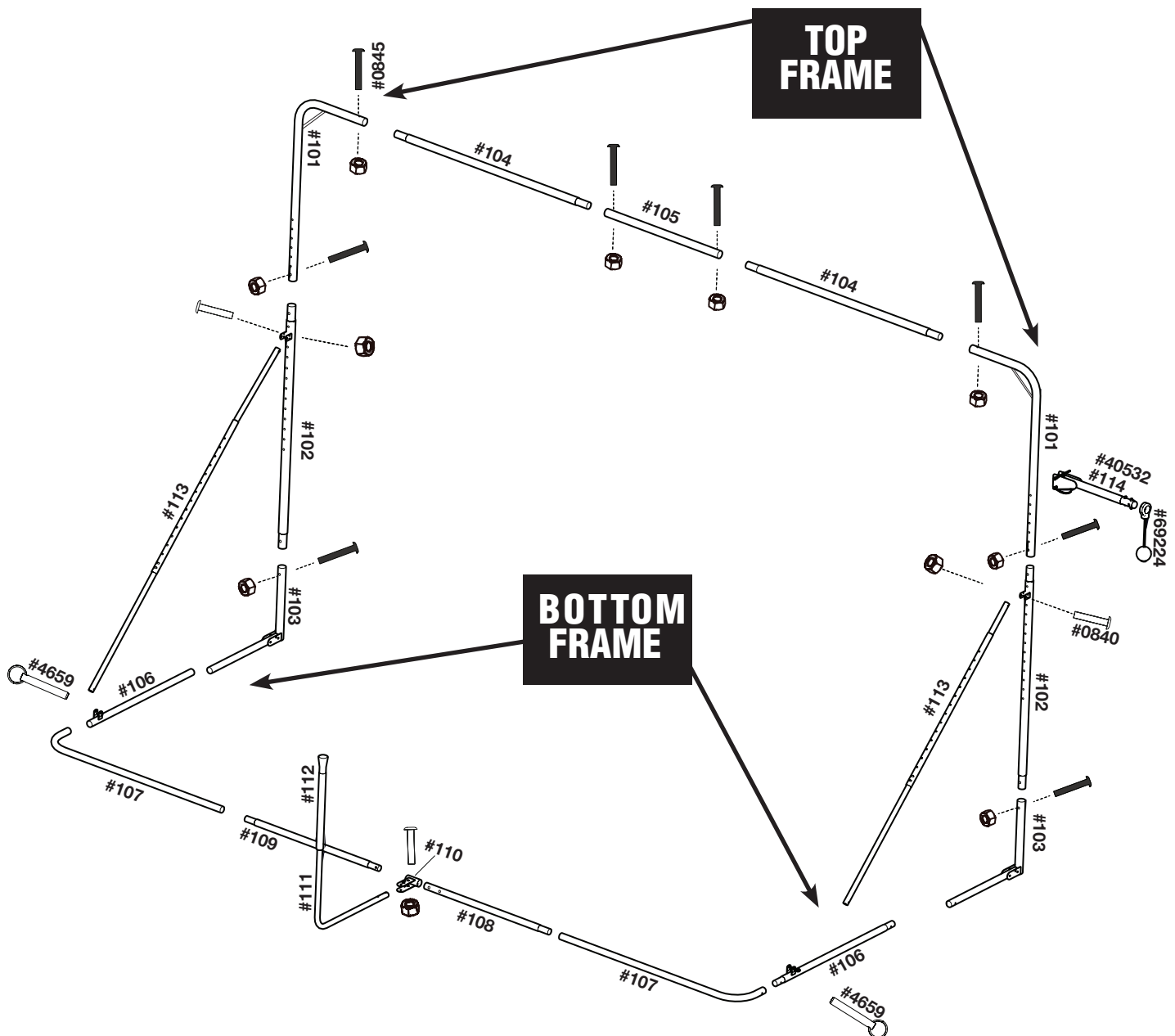
Please read instructions fully before beginning assembly.

Check parts listed before assembling  
TWO PEOPLE ARE RECOMMENDED FOR ASSEMBLY

YouTube assembly instructions for the Monster Bat-A-Way Multi Trainer on line.

Go to YouTube, Search **NEOP-EZGOAL** Channel and see the helpful instructions.

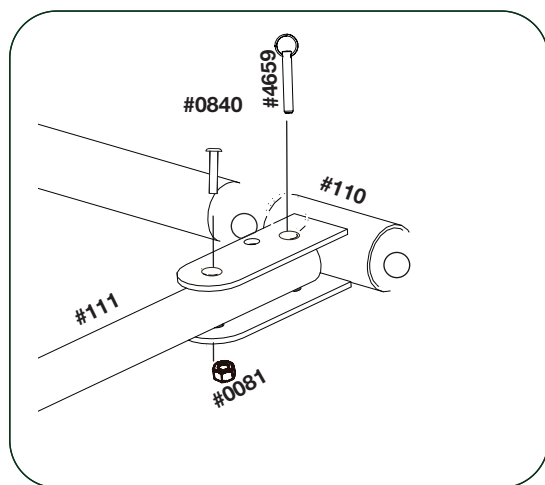
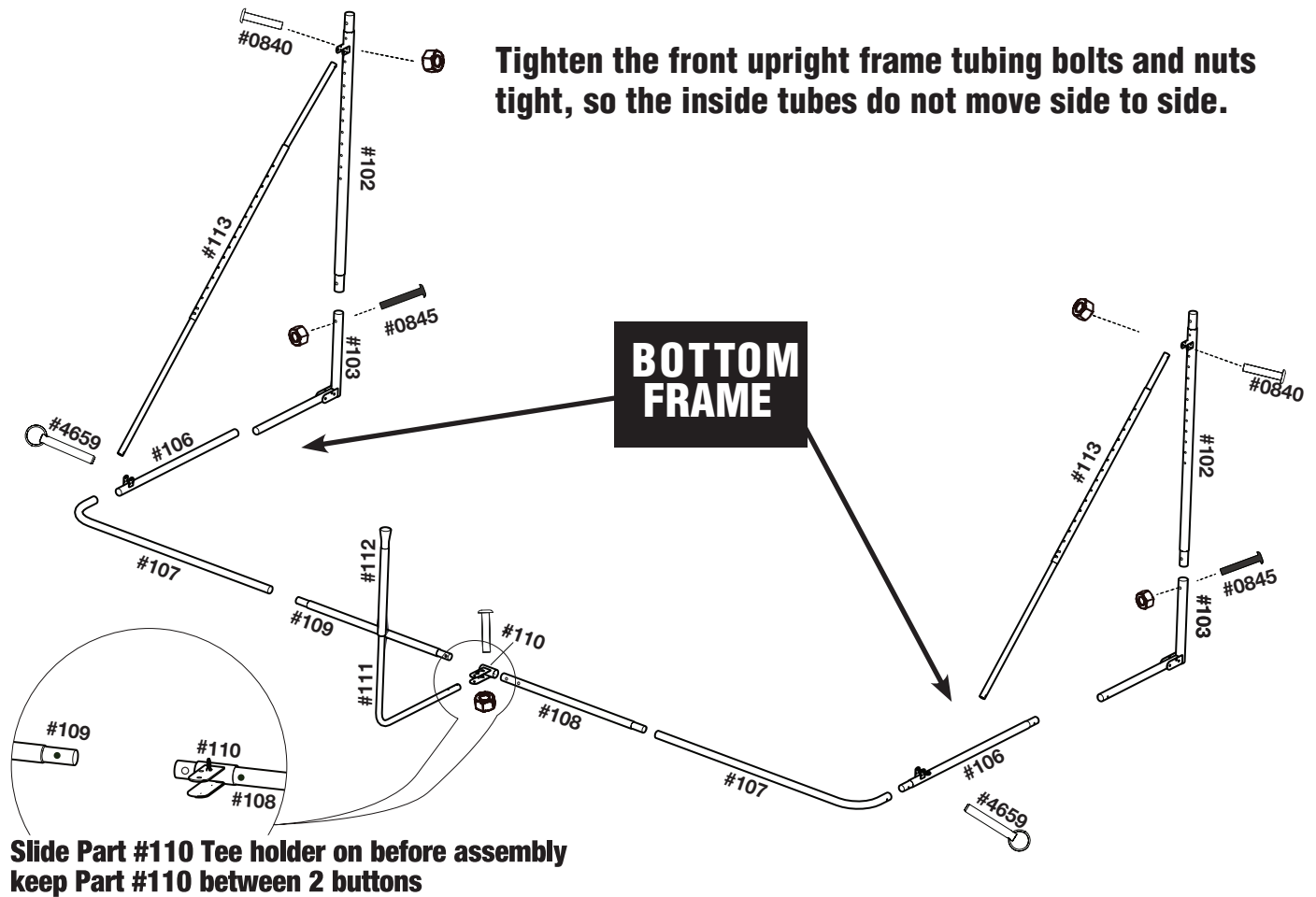
Scroll down to **64128INT** to see all the videos for assembly.



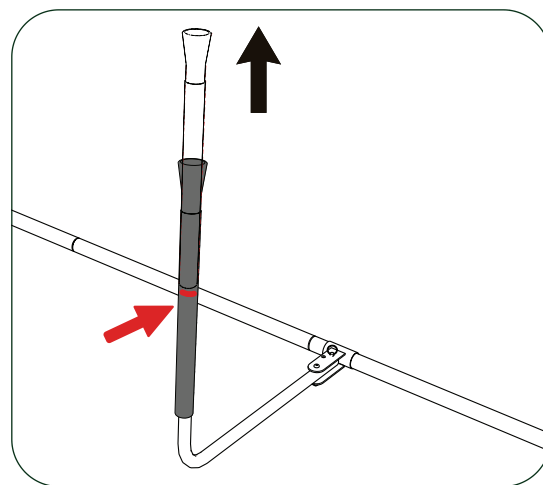
Tighten the front upright frame tubing bolts #0845 and nuts tight,  
so the inside tubes do not move side to side.

# Monster Baseball Bat-A-Way™ Multi Trainer

## STEP 1 BUILD BOTTOM FRAME



Connect Bolt #0840 with Nut and use pull pin to lock in place

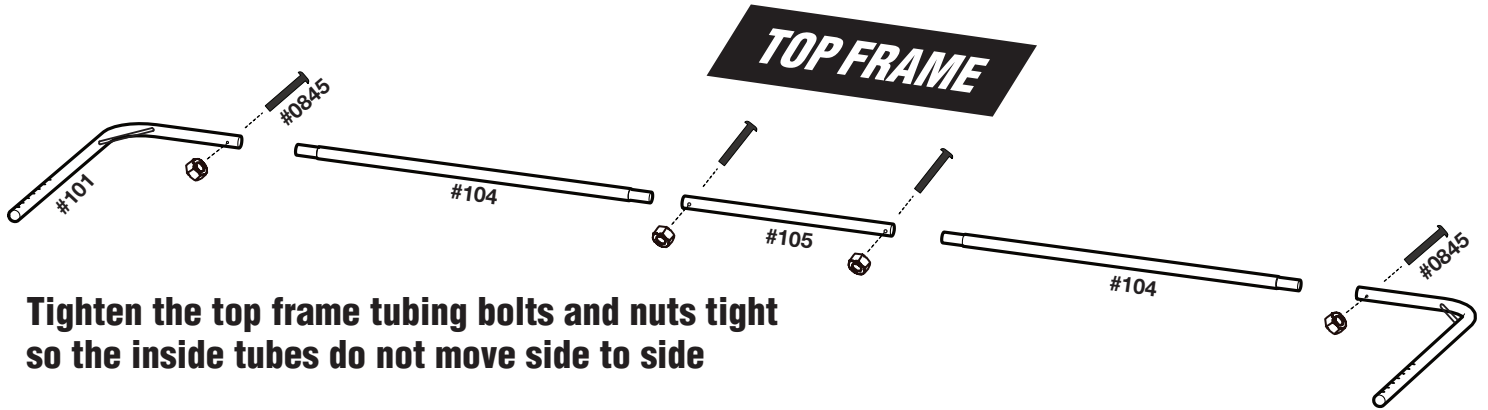


Adjust the rubber bar to the desired height. Do not go above the red line on the white tube

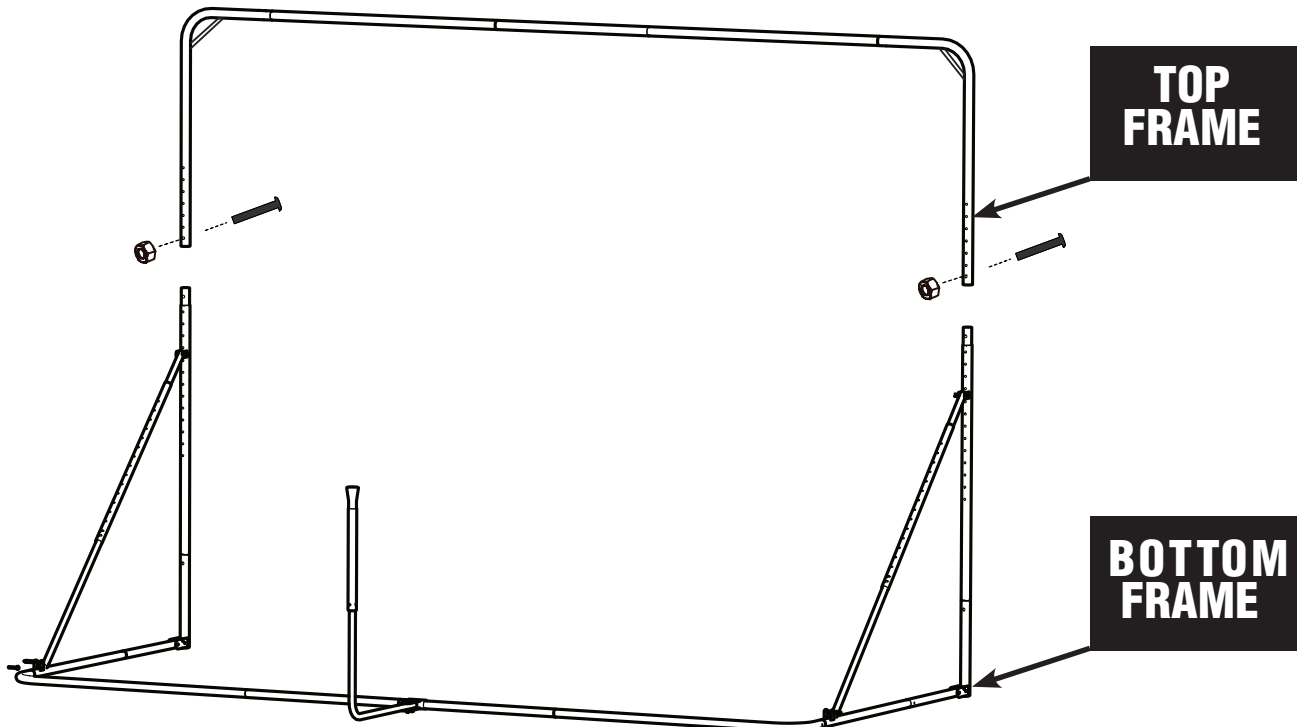
**Tighten the batting Tee bolts and nuts snug not tight so the tee trainer can fold a way when not in use.**

# Monster Baseball Bat-A-Way™ Multi Trainer

## STEP 2



**Tighten the top frame tubing bolts and nuts tight so the inside tubes do not move side to side**

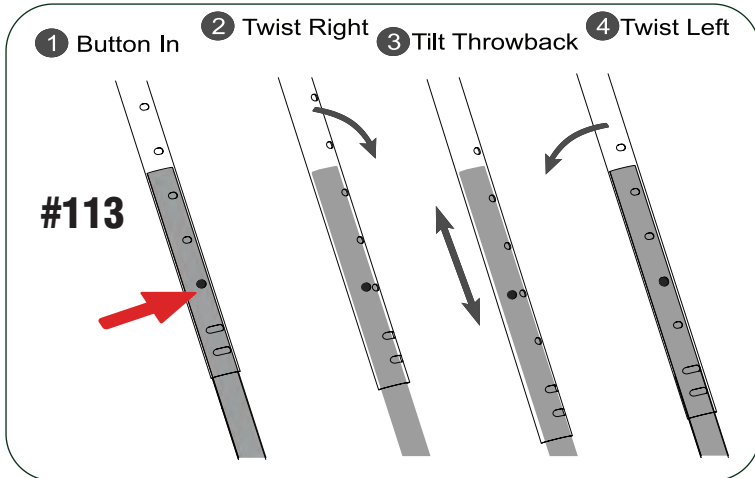


**Tighten the top frame tubing bolts and nuts tight so the inside tubes do not move side to side**

# Monster Baseball Bat-A-Way™ Multi Trainer

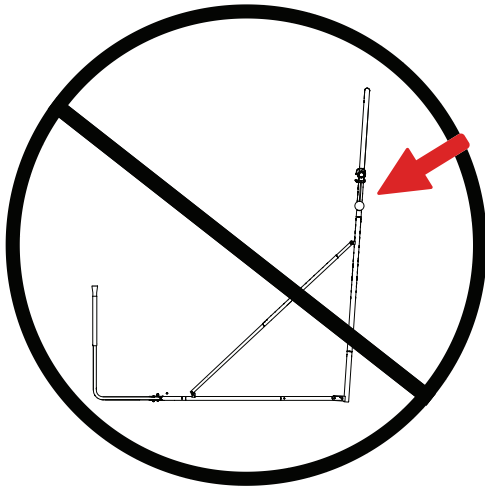
## STEP 3 Tilting the Monster Bat-A-Way Trainer

Go to YouTube search NEOP-EZGOAL Channel and see the helpful instructions. Scroll down to 64128INT-Patented tilting system.

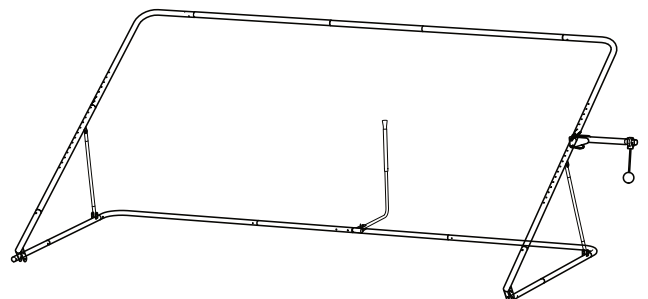
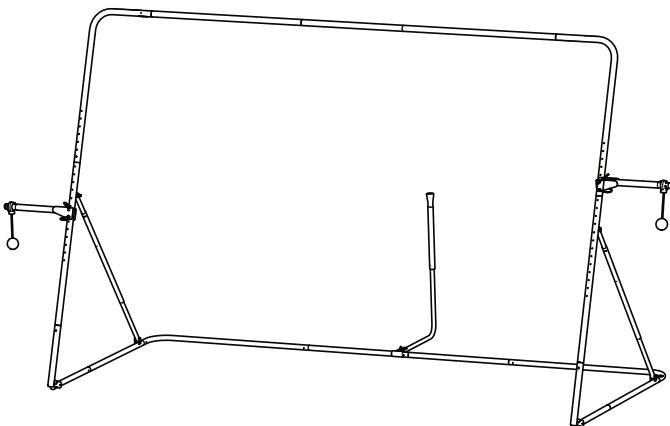


### Easy 1 Person Tilting System, Twist and Slide it to adjust .

1. Push the middle Brass Button in.
- 2 Twist the bar to right.
3. Do the same with the other side bar.
3. Adjust the tilting angle and you will be able to slide by each hole.
4. Twist both bars back to the Left, relocate buttons in holes.
5. Do Not Tilt the Goal Forward.



**Do not tilt the Goal forward**



# Monster Baseball Bat-A-Way™ Multi Trainer

## STEP 4 Attaching the Net to the Monster Trainer

Go to YouTube, Search NEOP-EZGOAL Channel and see the helpful instructions. Scroll down to 64128INT Attaching the Net to the Bat-A-Way Multi Trainer.



### Tying the top & bottom corner nets

1. Tilt the trainer as far back as it will go.

2. The Monster Ezgoal label should be on top.

3. On the top and bottom left and right side of the net, There will be ropes sticking out on all 4 corners

4. Tie each corner of the net rope with a secure knot to the top loops and the bottom holes.

5. When tying the bottom rope, make sure the bottom front frame on the inside is 12' wide to match the back of bottom frame.





# Monster Baseball Bat-A-Way™ Multi Trainer

## Attaching the Net to the Monster Trainer

Go to YouTube, Search NEOP-EZGOAL Channel and see the helpful videos instructions. Scroll down to 64128INT Attaching the net to the Bat-A-Way Multi Trainer

After the 4 corners ropes that are connected.

Use the 14" ropes to secure the remainder of the net to the frame.

The short ropes are made to slide up and down so you can adjust up and down the Bat-A-Way Rotating Trainer.



1. There should be 6 open net squares between each tied short rope.

2. Start from the top corner of the frame. There should be 2 short 14" ropes in each corner of the frame see figure 1.

3. To tie the ropes, use a knot to attach the net. Each rope will be separated by 6 net squares until you get to the bottom or the other corner + or - a few net squares.



When tying the knot, snug the knot to the frame, this will allow you to slide the rope up and down when adjusting the Bat-A-Way rotating trainer.



1. Pull the snug knot to the back of the frame .



The net is designed to be longer and lose on the frame. This stops the ball from rebounding back at you. This also in most cases stops the ball from going under the net when batting.

The net will hang lose as the net nears the bottom of the frame.

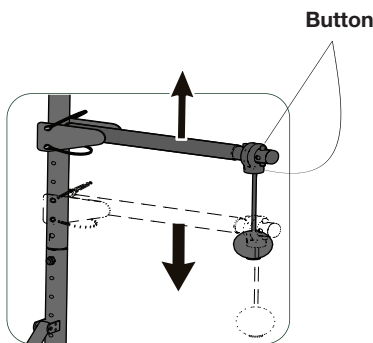
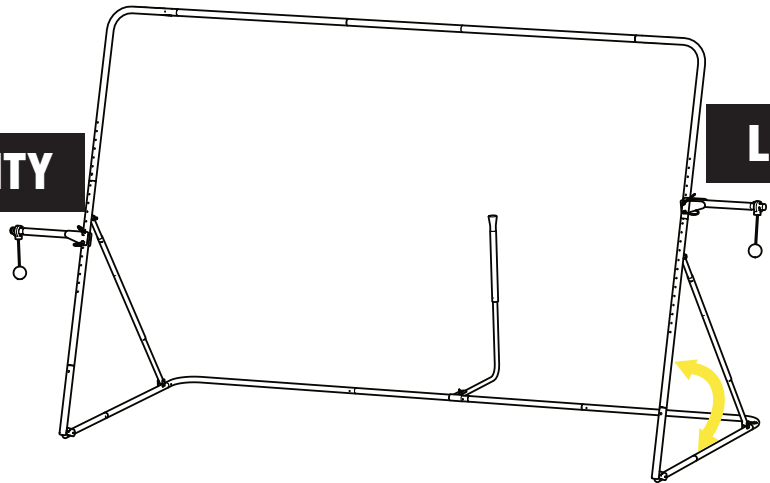
# Monster Baseball Bat-A-Way™ Multi Trainer

## STEP 5 Using the Bat-A-Way Multi Trainer

Go to YouTube, Search NEOP-EZGOAL Channel and see the helpful video instructions. Scroll down to 64128INT Practicing with the Bat-A-Way Multi Trainer.

**RIGHTY**

**LEFTY**



1. Adjust the Bat-A-Way Multi rotating ball trainer by removing the Pull pins. Adjust the tube up or down to the desired ball height and secure the 2 locking pins.

2. Always Swing from front to the back of the Trainer. Lefties on one side, Righty's on the other. Now you are ready to Bat-A-Way.

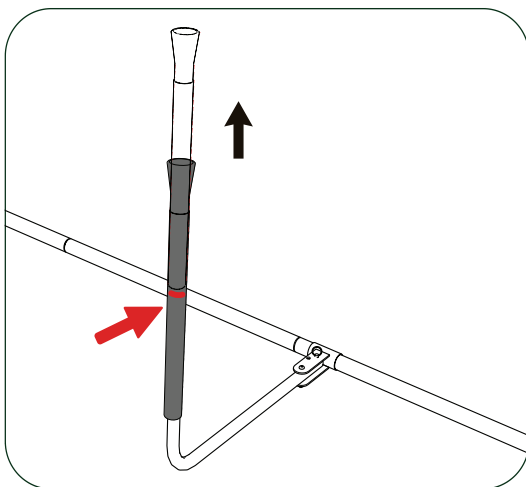
3. Always check the rope for wear. Replace Ball and Rope if damaged with The Bat-A-way.

Ball Kit #69224

**CAUTION: Inspect for proper fit and secure goal.**

### Using the Batting Tee

1. The Batting Tee adjusts to the level needed to train, Twist the rubber up or down.
2. When Batting the backstop should be tilted back for high pops. This will help prevent breaking neighbors windows.
3. Never tilt the trainer forward. It is Hazard and can fall .



### Using the Pitching and Catching Trainer

1. Hook the 4 clips with the yellow strike zone to the desired height.
2. Keep a little tension on the 4 webbings to keep the yellow box square.

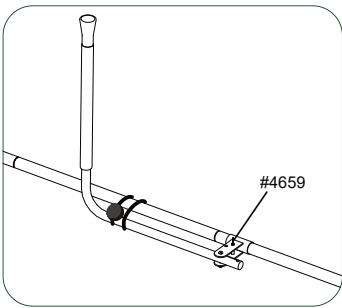
# Monster Baseball Bat-A-Way™ Multi Trainer

## STEP 6 Folding Bat-A-Way Multi Trainer

Go to YouTube, search NEOP-EZGOAL Channel and see the helpful video instructions. Scroll down to 64128INT Folding the Bat-A-Way Multi Trainer.



Extend the life of your ball. Stored inside (#69224). Push buttons in and slide black plastic ring out of bar.



Fold the Bat-A-Way and Batting tee for storage.

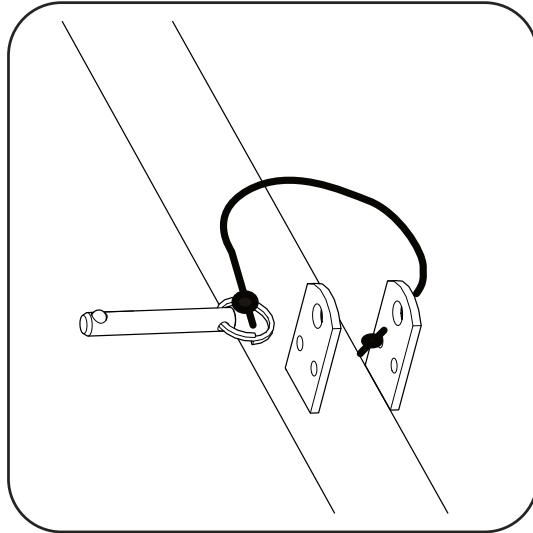
## TWO PEOPLE ARE RECOMMENDED FOLDING THE TRAINER



1. Take out the bottom 2 pull pins from the side tilting sections.
2. Shorten the 2 tilting bars so they hang next to the main frame.
3. Lift up the bottom ground tubes and use 2 bungees to hold the two sections together.
4. Take the net that is on the ground and use the bungee to tie the net up off the ground for storage.

# Monster Baseball Bat-A-Way™ Multi Trainer

## STEP 7 Tilting the Monster Bat-A-Way Trainer



### TIPS

**Tie the pull pin to the small hole on the bottom tube, so it stays with the Trainer when storing.**

For help, replacement parts, questions or concerns about your EZ Goal Products, EMAIL or Call

EZ Goal Sports  
Customer Service:  
WATERBURY, CT 06710, U.S.A.

**Email: [Service@NEOPmail.net](mailto:Service@NEOPmail.net)**  
**or call 203-591-9030**

## SAFETY PRECAUTIONS

*Monday-Friday 8:30am -4:30pm EST*  
*Missing parts will be sent to you via courier.*



### WARNING

Manufacturer suggests wearing safety goggles for net assembly, to protect against bungee cords hitting eye. As with any play equipment, children **MUST** be supervised at all times.  
Use product on a level surface.  
Never use near steps or stairs.  
For outdoor use only.  
Allow 8 feet from structures such as a fence, garage, house, overhanging branches, laundry lines, or electrical wires.  
Use common sense, and all the same precautions as you would when playing sports.  
Secure unit, so high winds do not blow it over.



### WARNING

**NEVER** allow anyone (people or pets) to stand behind the net or in any possible path of a ball or puck should you miss the net or should the ball or puck go through the net. Inspect unit before and during each use. Replace any worn or damaged parts.  
Never allow children to stand on unit. This could cause damage to unit and result in an injury.  
Do not use bungees for any other purposes other than to apply net.  
As with any sporting activity, always wear the recommended safety equipment.  
Never leave children unattended.  
Use protective eyewear when securing bungees.

**MONSTER**  
SPORTS  
BY EZGOAL



**DO NOT RETURN TO  
THE STORE**

**Email Us**

**[Service@NEOPmail.net](mailto:Service@NEOPmail.net)**

Please Include: Your name, contact Information, part # of missing piece and any other questions. Include pictures if possible so that we can resolve your case quickly. Thank you

**Call Us**

**203.591.9032**

Please be ready to provide: Part # of missing or broken part and your shipping information.  
We will reply back immediately. Thank You

95 Johnson Street • Waterbury, CT 06710 • 203-591-9032 • [www.ezgoal.net](http://www.ezgoal.net)