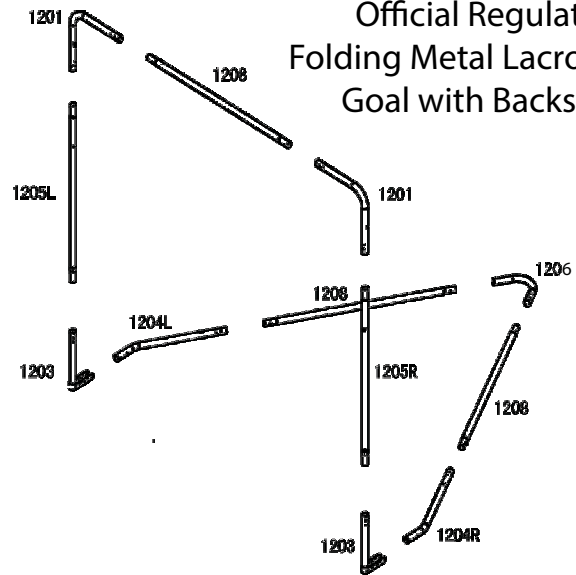
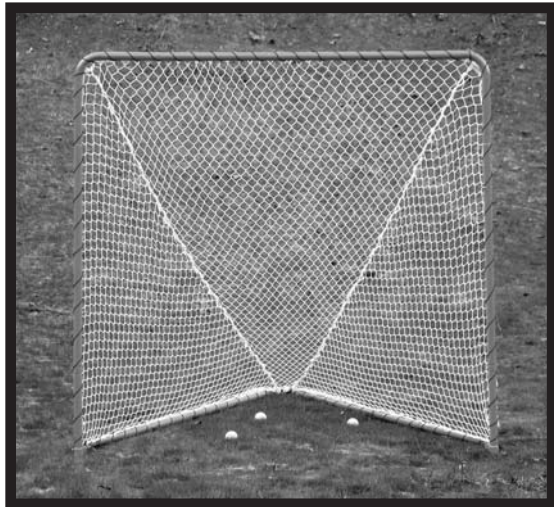


MONSTER SPORTS

by **EZGOAL™** | PRO SERIES

#85572

6'x6' Heavy Duty
Official Regulation
Folding Metal Lacrosse
Goal with Backstop



NO.	Drawing	Description	Part#	Qty.
1		Left Bottom Bent Folding Section Tube	1204L	1
2		Right Bottom Bent Folding Section Tube	1204R	1
3		Front Folding Tube	1203	2
4		Right Front Up Right	1205R	1
5		Left Front Up Right	1205L	1
6		Front Top Bent Tube	1201	2
7		Top Front & Bottom Back Straight Tube With Swedge	1208	3
8		Bottom Back Bent Tube	1206	1
9		8mm Folding Section Bolt	5310	2
10		8mm Self Locking Nut	008	3
11		Pull Pin 60mm 2 3/4"	6592	2
12		Lacrosse Net	69126	1
13		Black Rope	9171	4
14		Wrench	017	1
15		Allen Wrench	018	1

**Installation
Instructions**
Please read instructions
COMPLETELY
before assembly.



DO NOT RETURN
PRODUCT TO THE
STORE

Missing parts,
need replacements, or
help with assembly
Please contact
Customer service:

service@ezgoal.net
(+1) 203-591-9032
Waterbury, CT 06710 U.S.A.

MONSTER SPORTS
by **EZGOAL™** | PRO SERIES

Note: Precision Connections will fit snugly.
Use a rubber mallet or block of wood if needed.

Follow the diagrams.

Connect the folding section and base parts together.

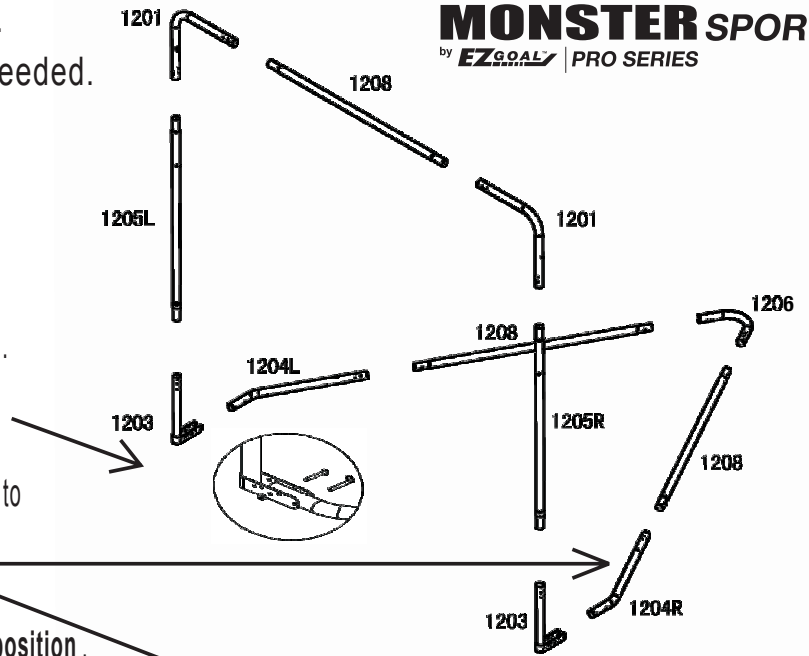
Part 1203 to parts 1204L and 1204R.

The folding section bolts should be on the inside and in front.

The nuts should be on the outside. Do not over tighten the nuts.

The pull pins should be in the back of the folding section.

Make sure the big slot on the bottom base tube that connects to the folding section is facing up. See diagrams.

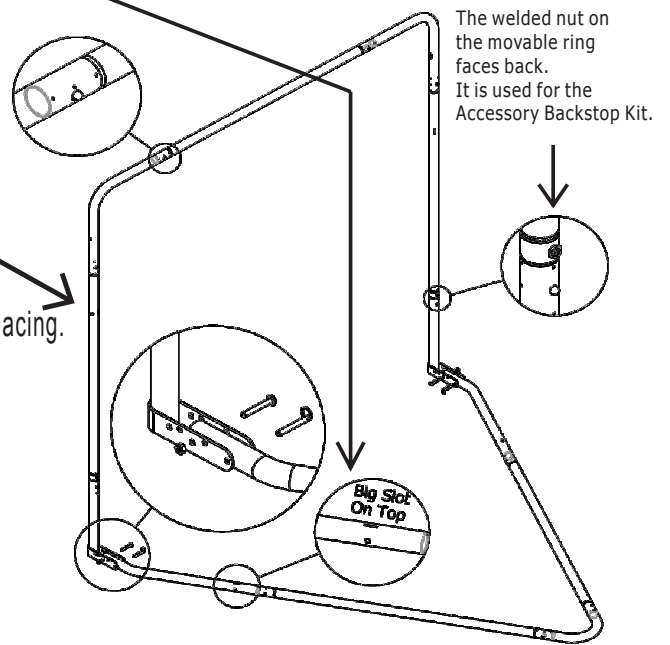


Insert the pull pins into the folding section while in the open position.

Assemble the bottom base of the goal first, then the front uprights.

Put front upright parts 1205L & 1205R in the proper locations.

Make sure the big slot is facing towards the back.



Front Net Lacing

Temporarily secure the 5 corners of the net to the frame.

Make sure the 2 center thick ropes that go from the top 2 corners of the goal to the back bottom are on the inside of the goal net before lacing.

Starting at the folding section and lace up. Securely tie off the rope.

Lace the bottom front corner box.

NOTE: Lace every 3rd net box on the straight sections

Lace every other box on the corners

Tie off with good knots. See pictures below and box front

Bottom Net Lacing.

Note: Lace every 3rd box on the straight sections.

Lace every other box on the corners

Leave about 8" of rope to tie off the pull pin.

Lace the rope around the tube and make a secure knot away from the folding section so you do not cut the rope when folding the goal

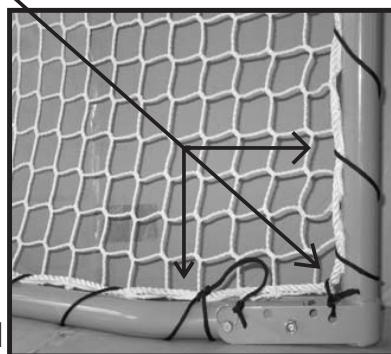
Practice Play Fold-It-Away™

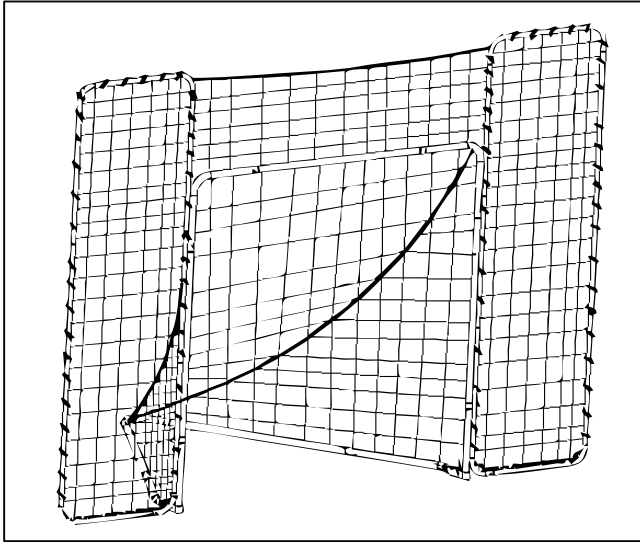
Tie off with a good knots.

See pictures and box front

Put a little Super Glue on all knots if possible, to keep the knots from coming untied.

Take the pull pin out & fold goal
Insert pin here for storage





Patented folding system and Backstop
 Patent pending Backstop front closing system
 US. # 6,849,009 6,558,279 6,652,395
 Can. # 2,313,845

No.	Sketch	Description	Part #	Qty
1		Outside Bottom U Tube	2496251 001	2
2		Top U Tube	2496251 002	2
3		Lower Inside Upright	3096251 003	2
4		Upper Inside Upright	3096251 004	2
5		Middle Inside Upright	3096251 005	2
6		Outside Upright	3096251 006	6
7		Bolts 8 mm x 3"	B875	4
8		Eye Bolts 8 mm x 30 mm	E830	2
9		Butterfly Nuts 8 mm	N80	5
10		15' Rope Black	9142	6
11		5' Rope Black	9143	2
12		15" Rope Black	9144	6
13		Side Backstop Net	8190	2
14		Top Backstop Net	8188 or 9176	1

Installation Instructions
 Please read instructions
COMPLETELY
 before assembly.



**DO NOT
 RETURN
 PRODUCT TO
 THE STORE**

**Missing Parts,
 Need Replacements, or
 Help With Assembly**

**Please Contact
 Customer Service:**
 service@ezgoal.net
 (+1) 203-591-9032
 Waterbury, CT 06710 U.S.A.

Monster 6' x 6' Lacrosse Backstop Kit

Note: Precision connection will fit snugly.
Use a rubber mallet or block of wood if needed.

Figure 1. Assemble Side Panels

according to the diagram. **Note:** The corner loops on each panel should face each other and the down tube loops face back.

Figure 1

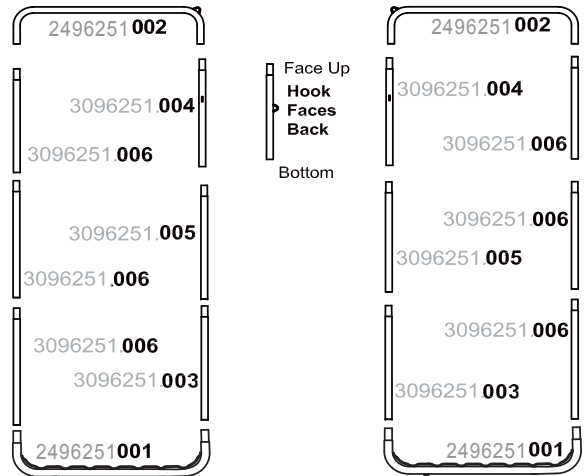


Figure 2. Side Panel Assembly Lacing

Secure the 4 corners of the net, so it is easy to lace. The labels should be on top. The lacing should be snug. Start at the bottom in the middle of the wiggle wire. Use the 15' black ropes.

See Details Below.

- 1) B Corners, lace every square box.
 - 2) C Side and Top, lace every other square box.
 - 3) D Bottom, lace every square box.
- Tie off with good knots.

Figure 2 Fasten tight every other square with the cordage

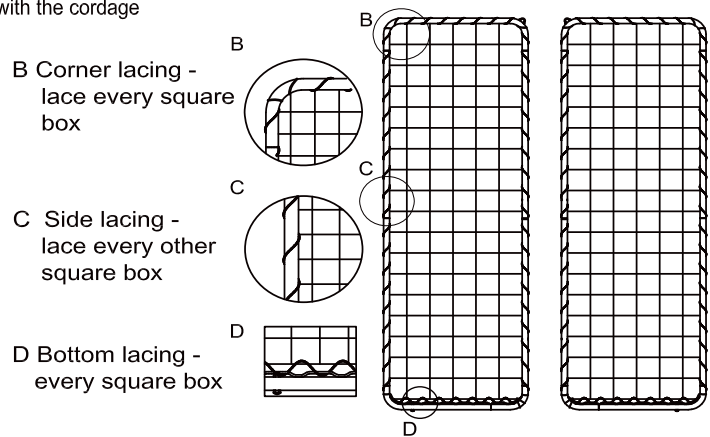


Figure 3. Bolting the Side Panels

If you have a Monster or EZGoal Lacrosse Net, the holes are predrilled to secure the side panels.

If assembling to the 87615 and 87514 goals, use (2) 3" screws and 2 butterfly nuts on the top two holes. Use eye bolts on the bottom two-holes.

See Figure 3 (Details E & I).

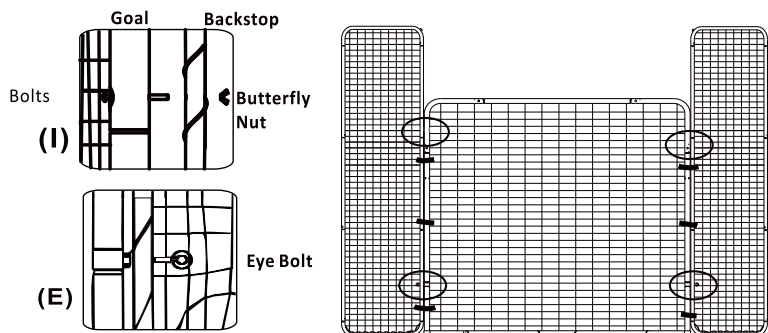


Figure 4. Backstop Top Net Connection

The thick black rope and label must be on top (**Detail F**). Locate the thin short rope corner ties, which can be found on the four corners of the top net. Attach the top net to the 4 corner steel loops on the backstop. Secure the heavy main rope on one panel to the steel loop, pull tight and secure the main rope to the opposite side panel (**Detail G**). Repeat for the bottom rope. Use the 5' ropes to lace the top net to the side panels (**Detail G**). Use the 15" rope to tie bow knots to secure the top net to the goal in a few locations. (**Detail H**).

Figure 4

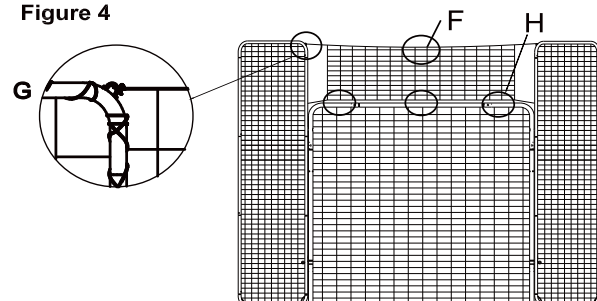
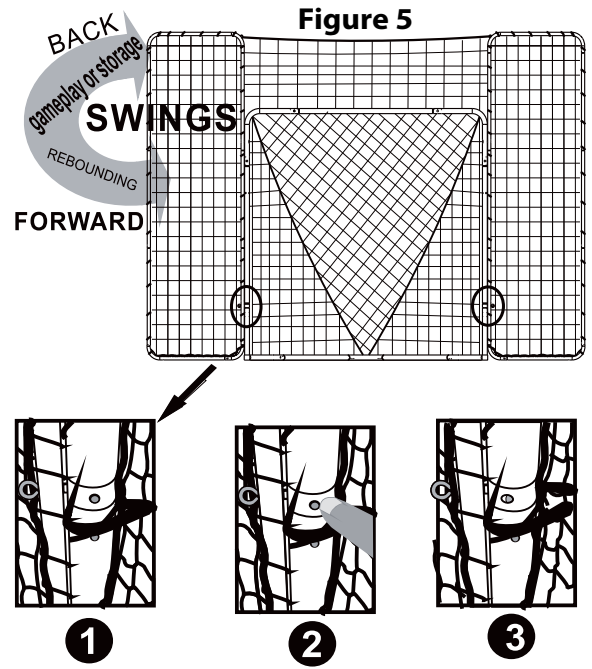


Figure 5. Folding and Storage for Indoors

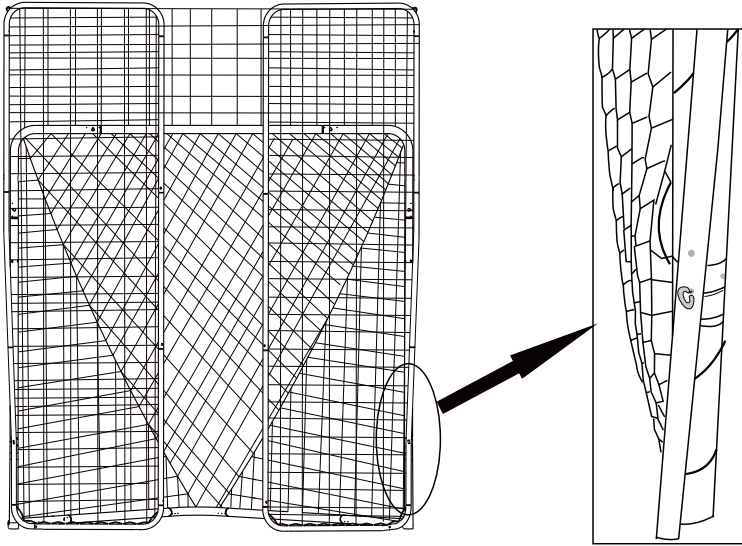
Note: This Backstop is designed to fold up in front of the goal. To do this you need to find the button on the bottom back upright of the Monster goal. Press the button in, which will enable the ring on the goal to rotate to the front of the goal with the backstop. This allows you to swing the backstop in front of the lacrosse goal for storing.

See Figure 5 (1, 2 & 3).

Note: For a non-Monster goal that is bolted, you will need to take the backstop off for storage.



Monster Indoor Storage



Monster Outdoor Storage

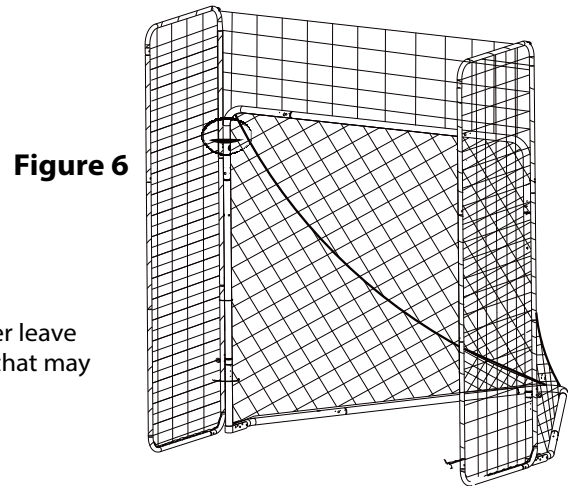


Figure 6. Folding and Storage for Outdoors

Fold panels forward to help stabilize the unit in windy conditions. **Note:** Never leave the unit unattended within 10' from vehicles, boats, homes, or any structure that may incur damage from the backstop or cause damage to the backstop.

CUSTOMER ASSISTANCE

For help, replacement parts, questions or concerns about your Monster Products, EMAIL or Call

Monster Sports
Customer Service:
WATERBURY, CT 06710

Service@EZgoal.net or **203 591 9032**

SAFETY PRECAUTIONS



WARNING

- Manufacturer suggests wearing safety goggles for net assembly, to protect against bungee cords hitting eye.
- As with any play equipment, children **MUST** be supervised at all times.
- Use product on a level surface.
- Never use near steps or stairs.
- For outdoor use only.
- Allow 8 feet from structures such as a fence, garage, house, overhanging branches, laundry lines, or electrical wires.
- Use common sense, and all the same precautions as you would when playing sports.
- Secure unit, so high winds do not blow it over.



WARNING

- **NEVER** allow anyone (people or pets) to stand behind the net or in any possible path of a ball or puck should you miss the net or should the ball or puck go through the net.
- Inspect unit before and during each use. Replace any worn or damaged parts.
- Never allow children to stand on unit. This could cause damage to unit and result in an injury.
- Do not use bungees for any other purposes other than to apply net.
- As with any sporting activity, always wear the recommended safety equipment.
- Never leave children unattended.
- Use protective eyewear when securing bungees.



DO NOT RETURN TO THE STORE

Check inside the larger diameter pipes for other tubes
For Installation assistance, parts and information

Email Us _____

Service@ezgoal.net

Please Include: Your name, contact Information, part # of missing piece and any other questions.

Include pictures if possible so that we can resolve your case quickly. Thank you

Call Us _____

203.591.9032

Please be ready to provide: Part # of missing or broken piece and your shipping information.

Thank you