



#1

**DO NOT RETURN
TO THE STORE**

Check inside the larger diameter pipes for other tubes

Please **EMAIL** or Call Customer Service for Assistance

Service@ezgoal.net



CALL
203.591.9032





#1

NE PAS RENDRE CE PRODUIT AU MAGASIN DANS LEQUEL IL A ÉTÉ ACHETÉ

Les tubes peuvent avoir été placés les uns dans les autres. Regardez bien.

Veillez contacter le Service clientèle par **EMAIL** ou appeler le service clientèle :

Service@ezgoal.net



Appeler le : (+1) 203.591.9032



#40

#87771

Lacrosse, Backstop
& Targets

FRENCH INSTRUCTIONS VISIT EZGOAL.NET

INSTRUCTIONS FRANÇAIS VISITER EZGOAL.NET

Please **EMAIL** or Call Customer Service for Assistance

Service@ezgoal.net

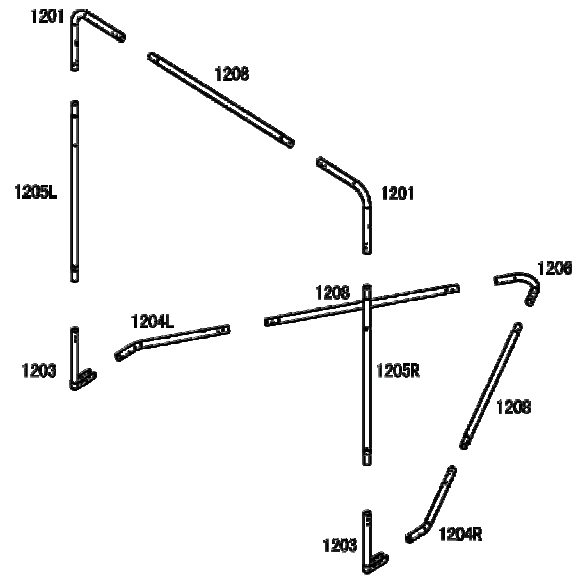
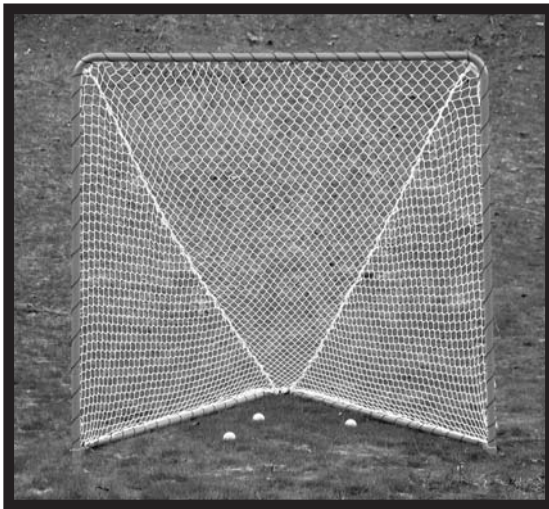


CALL

203.933.4442



13 WOOD STREET • WEST HAVEN CT 06516 • SALES 203.933.4440 • FAX 203.933.4448



NO.	Drawing	Description	Part#	Qty.
1		Left Bottom Bent Folding Section Tube	1204L	1
2		Right Bottom Bent Folding Section Tube	1204R	1
3		Front Folding Tube	1203	2
4		Right Front Up Right	1205R	1
5		Left Front Up Right	1205L	1
6		Front Top Bent Tube	1201	2
7		Top Front & Bottom Back Straight Tube With Swedge	1208	3
8		Bottom Back Bent Tube	1206	1
9		8mm Folding Section Bolt	5310	2
10		8mm Self Locking Nut	008	3
11		Pull Pin 60mm 2 3/8"	6592	2
12		Lacrosse Net	69126	1
13		Black Rope	9171	4
14		Wrench	017	1
15		Allen Wrench	018	1

Installation Instructions
Please read instructions **COMPLETELY** before assembly.



DO NOT RETURN PRODUCT TO THE STORE

Missing Parts, Need Placements, or Help with Assembly

Please Contact Customer Service:

203 933 4442
West Haven, CT 06516

Note: Precision Connections will fit snugly.
Use a rubber mallet or block of wood if needed.

#87771

**Lacrosse Goal
 Backstop & 4
 targets**

Follow the diagrams.

Connect the folding section and base parts together.

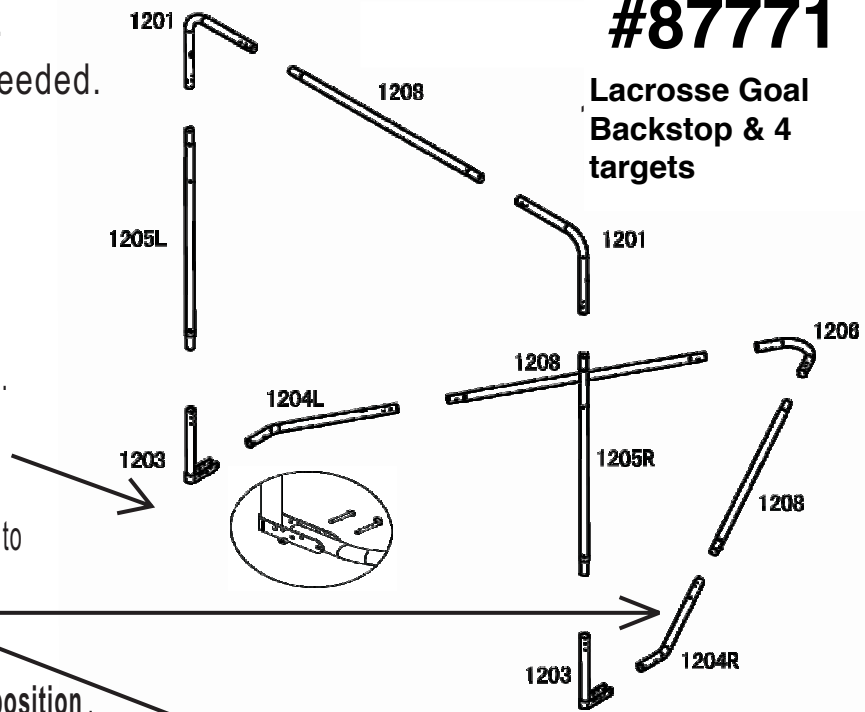
Part 1203 to parts 1204L and 1204R.

The folding section bolts should be on the inside and in front.

The nuts should be on the outside. Do not over tighten the nuts.

The pull pins should be in the back of the folding section.

Make sure the big slot on the bottom base tube that connects to the folding section is facing up. See diagrams.

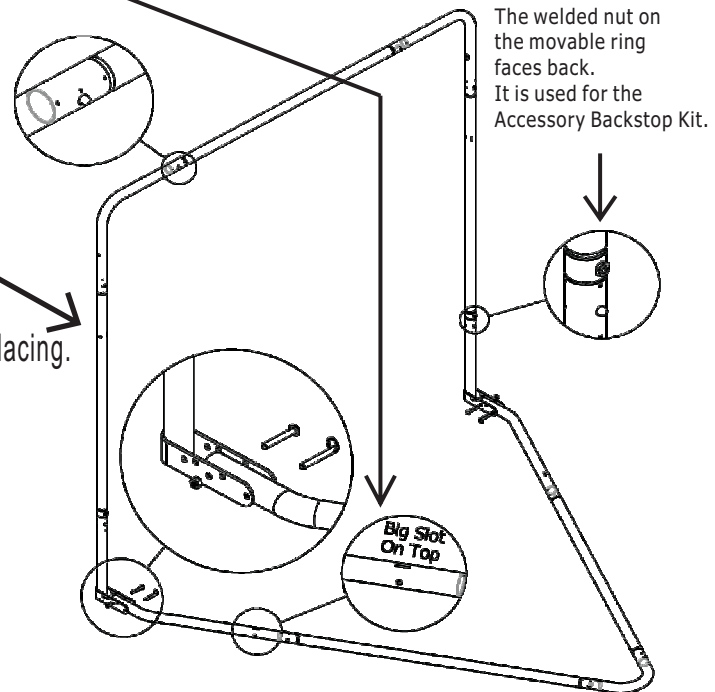


Insert the pull pins into the folding section **while in the open position**.

Assemble the bottom base of the goal first, then the front uprights.

Put front upright parts 1205L & 1205R in the proper locations.

Make sure the big slot is facing towards the back.



Front Net Lacing

Temporarily secure the 5 corners of the net to the frame.

Make sure the 2 center thick ropes that go from the top 2 corners of the goal to the back bottom are on the inside of the goal net before lacing.

Starting at the folding section and lace up. Securely tie off the rope.

Lace the bottom front corner box.

NOTE: Lace every 3rd net box on the straight sections

Lace **every other** box on the corners

Tie off with good knots. **See pictures below and box front**

Bottom Net Lacing.

Note: Lace every 3rd box on the straight sections.

Lace **every other** box on the corners

Leave about 8" of rope to tie off the pull pin.

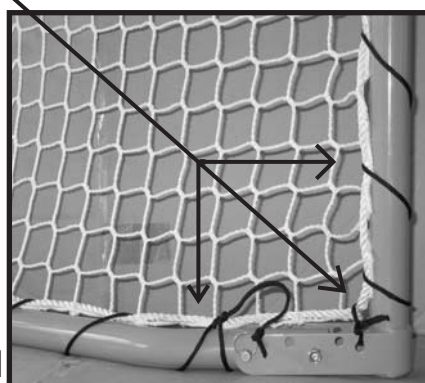
Lace the rope around the tube and make a secure knot **away from the folding section** so you do not cut the rope when folding the goal

Practice Play Fold-It-Away™

Tie off with a good knots.

See pictures and box front

Put a little Super Glue on all knots if possible, to keep the knots from coming untied.

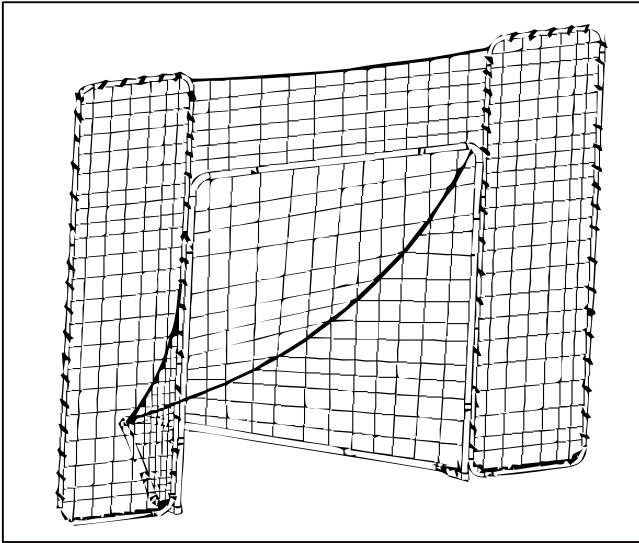


Take the pull pin out & fold goal
 Insert pin here for storage



#38

#87618



BACKSTOP KIT FOR 6'x6' GOAL

No.	Sketch	Description	Part #	Qty
1		Outside Bottom U Tube	3096251 001	2
2		Top U Tube	3096251 002	2
3		Lower Inside Upright	3096251 003	2
4		Upper Inside Upright	3096251 004	2
5		Middle Inside Upright	3096251 005	2
6		Outside Upright	3096251 006	6
7		Bolts 8mm x 3"	B875	4
8		Eye Bolts 8mmx30mm	E830	2
9		Butterfly Nuts 8mm	N80	5
10		15' Rope Black	9142	6
11		5' Rope Black	9143	2
12		15" Rope Black	9144	6
13		Side Backstop Net	8189	2
14		Top Backstop Net	8188 or 9176	1
15		6x6 Lacrosse 4 Pocket Target Nets	89102	1

**Installation
Instructions**
Please read instructions
COMPLETELY
before assembly.



**DO NOT
RETURN
PRODUCT TO
THE STORE**

**Missing Parts,
Need Replacements, or
Help With Assembly**

Please EMAIL or Call
Customer Service
for Assistance
Service@ezgoal.net
203.591.9032



Ezgoal 6x6 Backstop Kit

Note: Precision connection will fit snugly, use a rubber mallet or block of wood if needed. Please look at the front of the color box for pictures also.

Figure 1 Assemble side panels according to the diagram. Note: The corner loops on each panel should face each other and the down tube loops face back.

Figure 2 Side panel Assembly Lacing

Secure the 4 corners of the net, so it is easy to lace. The labels should be on top, The lacing should be snug. Start at the bottom in the middle of the wiggle wire. Use the 15' black ropes. see details.
 1) B Corners, lace every square box .
 2) C Side and top, lace every other square box.
 3) D Bottom, Lace every square box.
 Tie off with good Knots.

Figure 3 bolting the side panels

If you have an Ezgoal Hockey net, the holes are predrilled to secure the side panels.
If assembling to the Ezgoal 87615 and 87514 goals, use (2) 3 "Screws and the 2 butterfly Nuts on the top two holes.
 Eye bolts on the bottom two-holes .
 Figure (E) & (I)

Figure 4 backstop top net connection

The thick black rope and label must be on top. (Detail F.) Using thin short rope corner ties, attach the top net to the 4 corner steel loops. Secure the heavy main rope on one panel to the steel loop, pull tight and secure the main rope to the opposite side panel . See (Detail G.) and the front of the color box. Repeat for the bottom rope ,Use the 5'ropes to the lace the top net to the side panels. See detail (G) and Figure 4 . Use the 15"rope ,Tie bow knots, to secure the top net to the goal in a few locations (Detail H .)

Figure 4

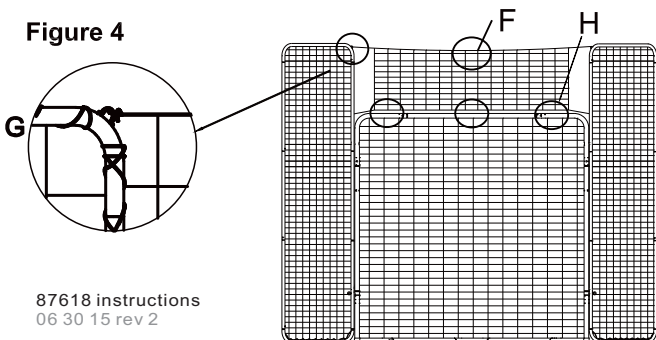
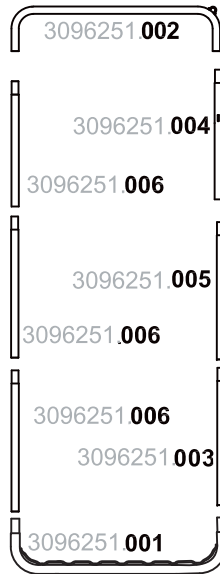
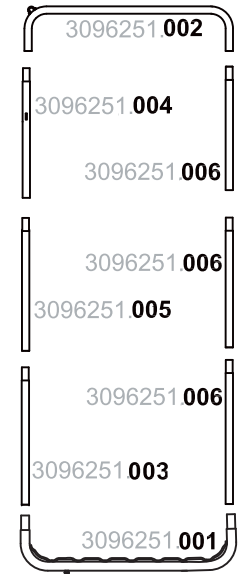


Figure 1



Model #87618



Face Up
 Hook
 Faces
 Back
 Bottom

Figure 2 Fasten tight every other square with the cordage

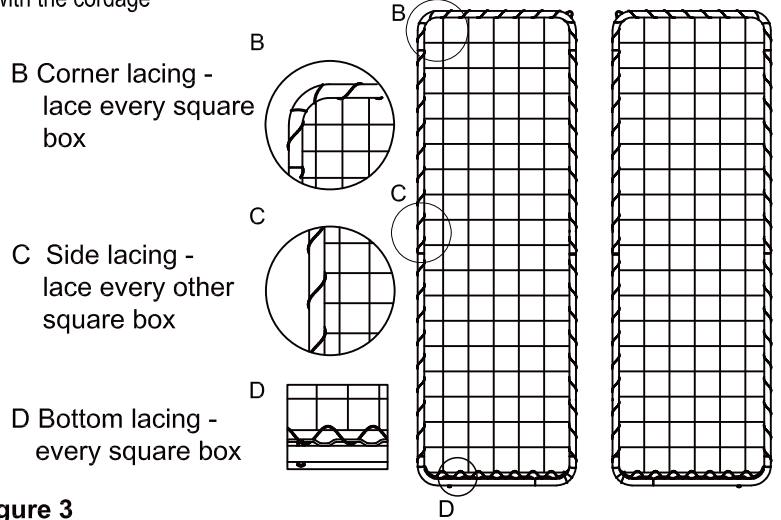


Figure 3

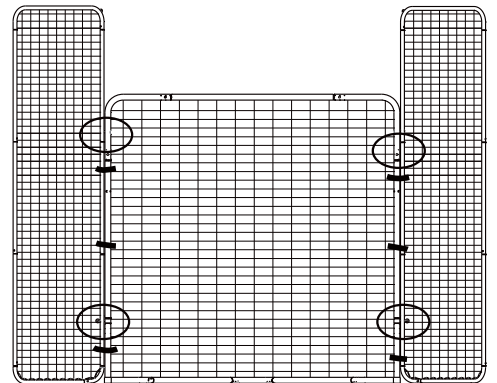
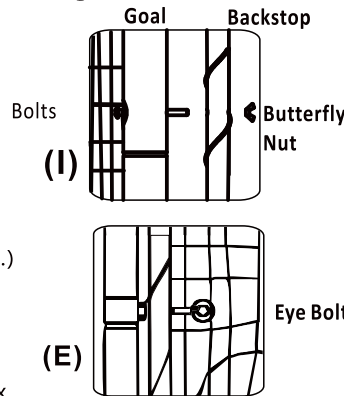
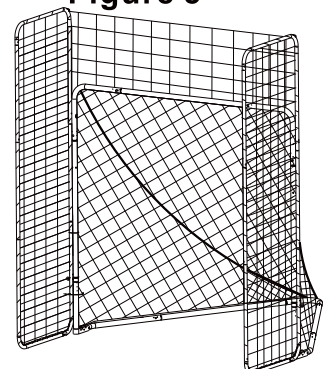


Figure 5

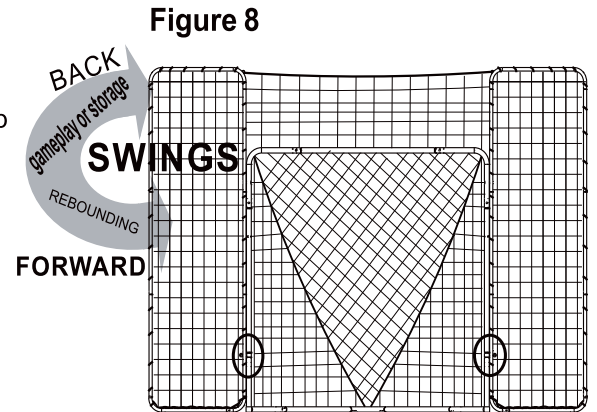


Folding and storing:

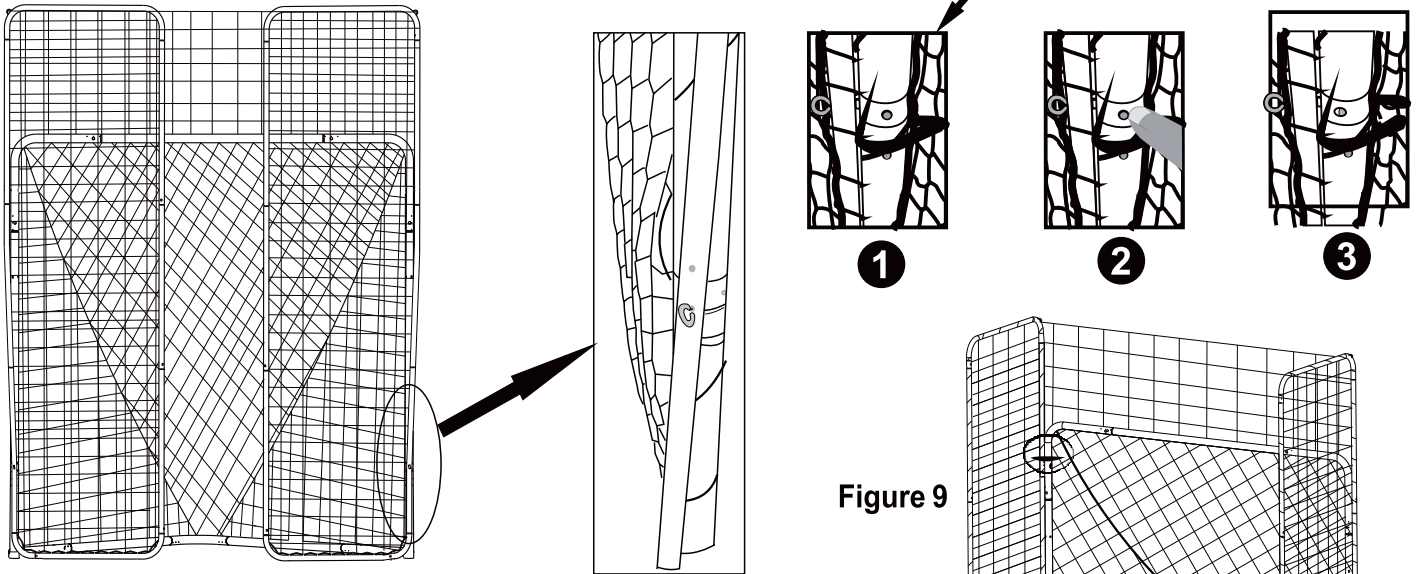
Note: This Backstop is designed to fold up in front of goal. To do this you need to find the button on the bottom back of the side uprights of the Ezgoal goal. Press the button in. This will enable the ring on the goal to rotate to the front of the goal with the backstop. This will make it so you can swing the backstop in front of the lacrosse goal for storing.

Note: For a none Ezgoal goal that is bolted, you will need to take the backstop off for storage.

See figure 8 (1) (2) (3).



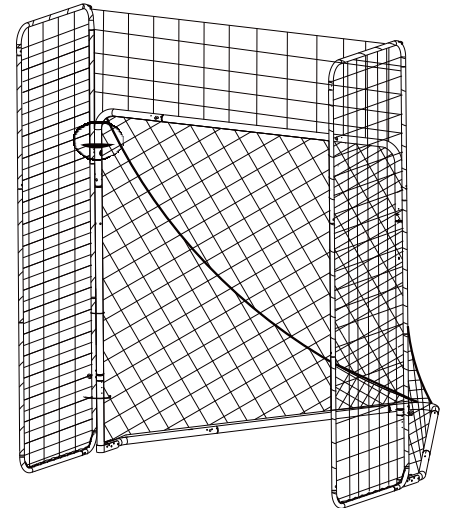
Ezgoal Storage



Patent Pending

Figure 9. Fold panels forward, this will help stabilize the unit in windy conditions. Note: never leave the unit unattended within 10' from vehicles, boats, homes, or any structure which may incur damage from the backstop or cause damage to the backstop.

Figure 9



To Order the Backstop Rebounder Visit ezgoal.net CUSTOMER ASSISTANCE

For help, replacement parts, questions or concerns about your EZ Goal Products, EMAIL or Call

EZ Goal Sports
Customer Service:
WATERBURY, CT 06710

Service@Ezgoal.net or 203 591 9032

SAFETY PRECAUTIONS



WARNING

- Manufacturer suggests wearing safety goggles for net assembly, to protect against bungee cords hitting eye.
- As with any play equipment, children MUST be supervised at all times.
- Use product on a level surface.
- Never use near steps or stairs.
- For outdoor use only.
- Allow 8 feet from structures such as a fence, garage, house, overhanging branches, laundry lines, or electrical wires.
- Use common sense, and all the same precautions as you would when playing sports.
- Secure unit, so high winds do not blow it over.



WARNING

- **NEVER** allow anyone (people or pets) to stand behind the net or in any possible path of a ball or puck should you miss the net or should the ball or puck go through the net.
- Inspect unit before and during each use. Replace any worn or damaged parts.
- Never allow children to stand on unit. This could cause damage to unit and result in an injury.
- Do not use bungees for any other purposes other than to apply net.
- As with any sporting activity, always wear the recommended safety equipment.
- Never leave children unattended.
- Use protective eyewear when securing bungees.

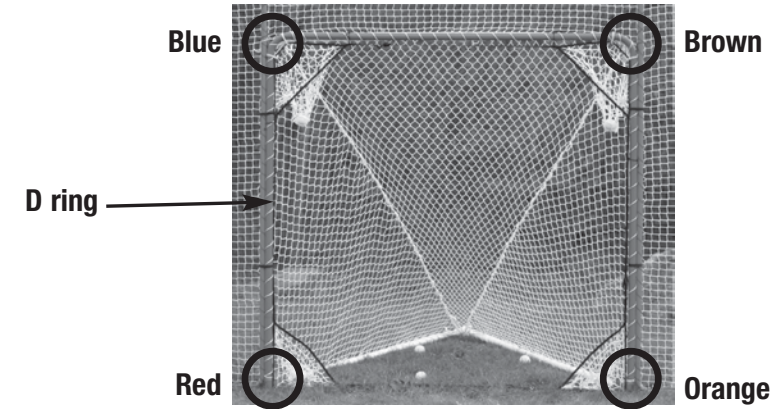
Connecting the targets to the frame:

#39

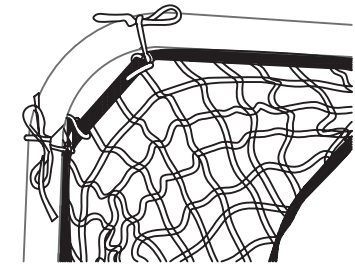
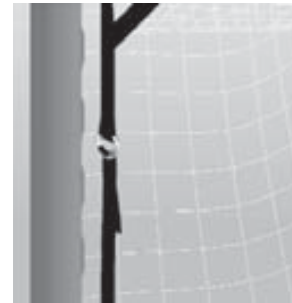
Step 1 Lay out the EZ Goal target pockets in front of the goal. Align the colored tabs in each pocket with the appropriate corner

- BROWN** upper right
- BLUE** upper left
- ORANGE** lower right
- RED** lower left

Center color tabs in corners



Step 2 Tie the two heavy ropes that is on the two top targets around the goal frame with a bow tie knot. Keep the color tab in the middle of the corner while adjusting, leaving slack in the line for final adjustment with the D rings.



Rope lace 4" apart
Tie a knot to secure

Step 3 Attach each bottom pocket by inserting hook through the lower bracket hole from the inside. (NOTE: you may also secure the hook in the bottom of the tube). Keep the color tabs in the four corners for the purpose of alignment. After the four corners are secure, snug the 4 D-rings.

