



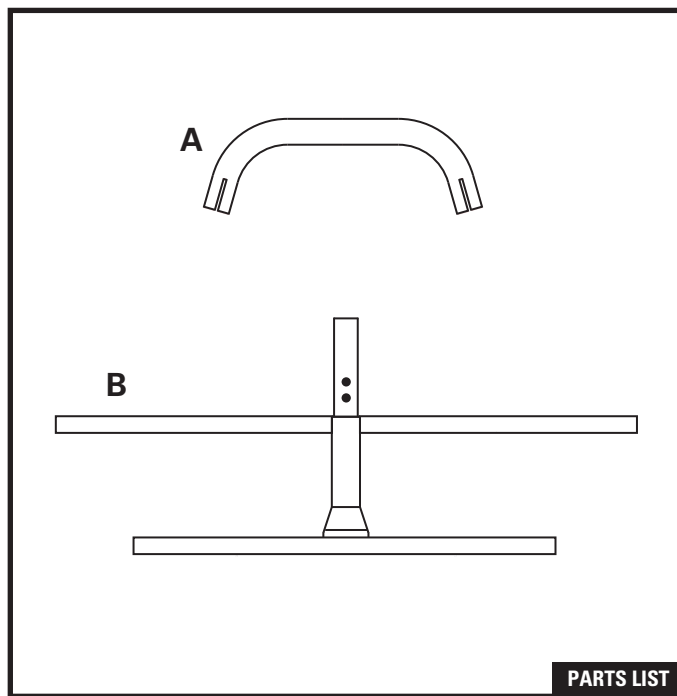
# MH8010 INSTRUCTION MANUAL

## PARTS LIST

QTY	REFERENCE	DESCRIPTION
1	A	Handle
2	B	Support Frame with Reel Shaft

## HARDWARE KIT

QTY	REFERENCE	DESCRIPTION
4	C	1/4-20 x 1-1/4 Carriage Bolt
4	D	1/4-1/2 Flat Washer
4	E	1/4-20 Nylon-insert Lock Nut
8	F	3 x 65 Hitch Pin Clip



PARTS LIST



HARDWARE KIT

## SAFETY RULES

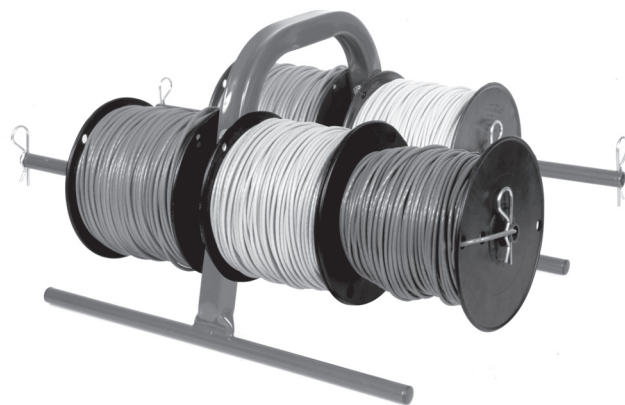
This product was designed for certain applications only. Madison strongly recommends that this product not be modified and/or used for any purpose other than that for which it was designed.

**CAUTION:** Use care when lifting the Wire Caddy.

### Tools Required for Assembly

7/16-inch wrench or socket

For Parts, Accessories or Warranty Assistance,  
Please call: 1-800-631-7775



CAPACITY	# OF SPOOLS	SPOOL DIMENSIONS
	8	7" diameter x 5" wide
	4	7" diameter x 6"-10" wide

# WireSMART

WIRE CADDY

# ASSEMBLY INSTRUCTIONS

## FIGURE 1

Place the Handle (A) onto the Support Frame (B) connector. Make sure that the reel shaft is facing toward the inside. Push down firmly until Handle (A) is seated against Support Frame (B). Repeat for the opposite side.

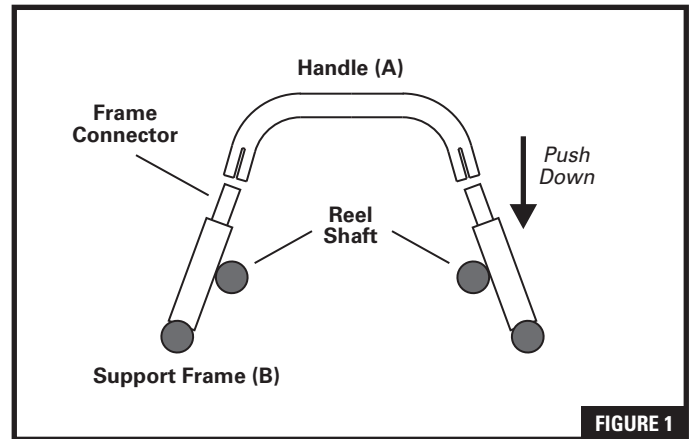


FIGURE 1

## FIGURE 2

Fasten Handle (A) to Support Frame (B) using the 1/4-20 x 1 1/4" Carriage Bolts (C), 1/4" x 1/2" Flat Washers (D), and 1/4 x 20 Nylon-Insert Locknuts (E). Repeat for the opposite side.

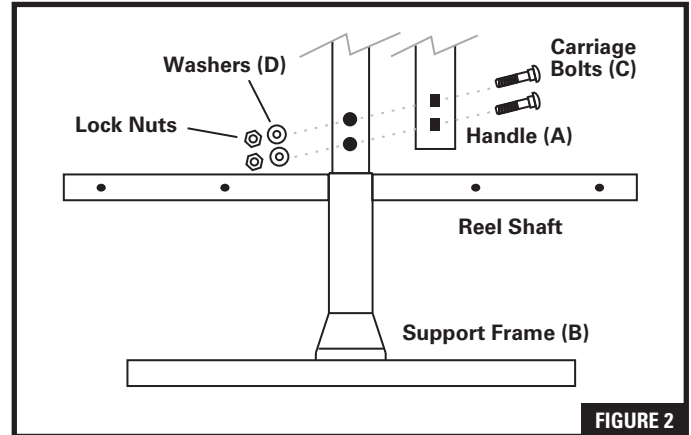


FIGURE 2

## FIGURE 3

Load wire spools onto Reel Shafts and secure using Hitch Pin Clips (F). Load spools from the inside out. For best results, when using multiple spools, balance the load equally on both sides.

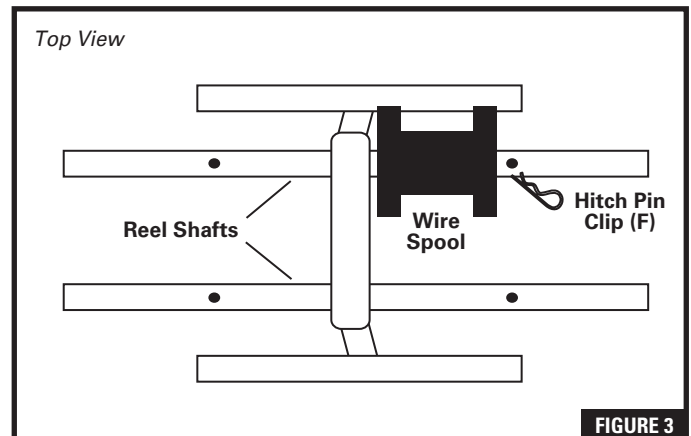


FIGURE 3