

EZ BUILDER™

FRAMER SHED KIT #503

ASSEMBLY MANUAL

LOT#:



Photo represents finished shed.
Wood not included.

Customer Service

If you have a question or concern

Email: service@neopmail.net

or call 203-591-9033

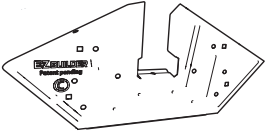
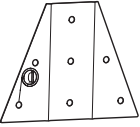

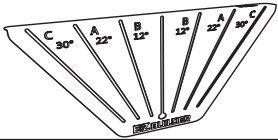
Monday-Friday 8:30am-4:30pm EST

PDF manual <https://ezgomanuals.com>

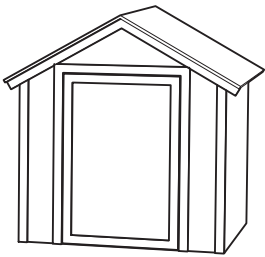
DO NOT RETURN TO THE STORE!

Please read instructions fully before beginning assembly

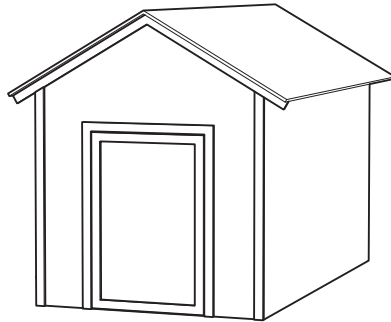
THIS KIT IS FOR 7' X 8' ONLY [#503]

NO	Illustration	Description	Part #	QTY.
1		Angle Bracket	C	24
2		Stud Bracket	D	12
3		Door header Bracket	E	4
4		Angles Jig	8111	1

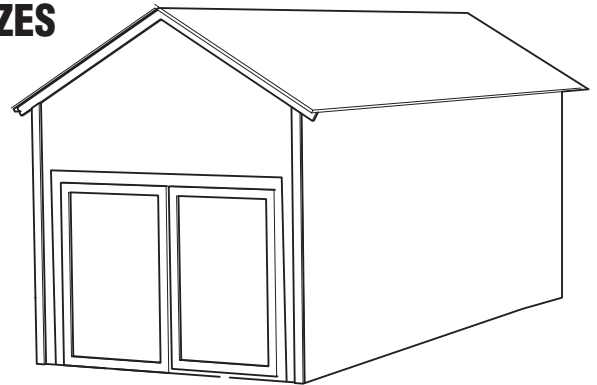
ADDITIONAL KITS ARE NEEDED TO BUILD LARGER SIZES



7ft.wide X 8ft.long
2133mm x 2438mm
1 kits

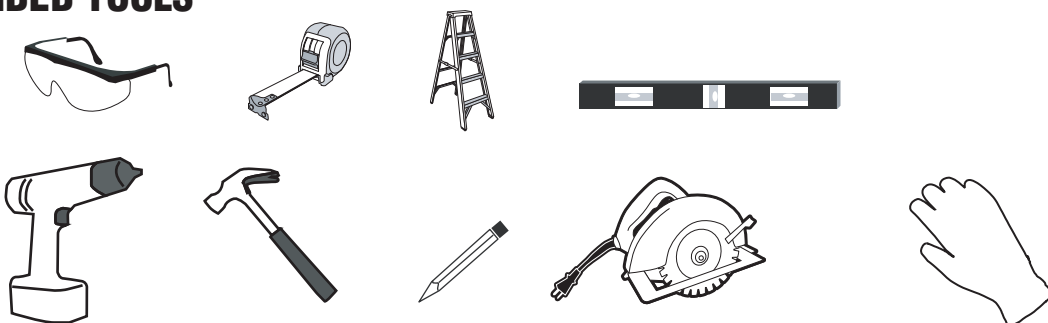


8ft.wide X 14ft.long
2438mm x 4267mm
2 kits





10ft.wide X 22ft.long
3048mm x 6705mm
3 kits

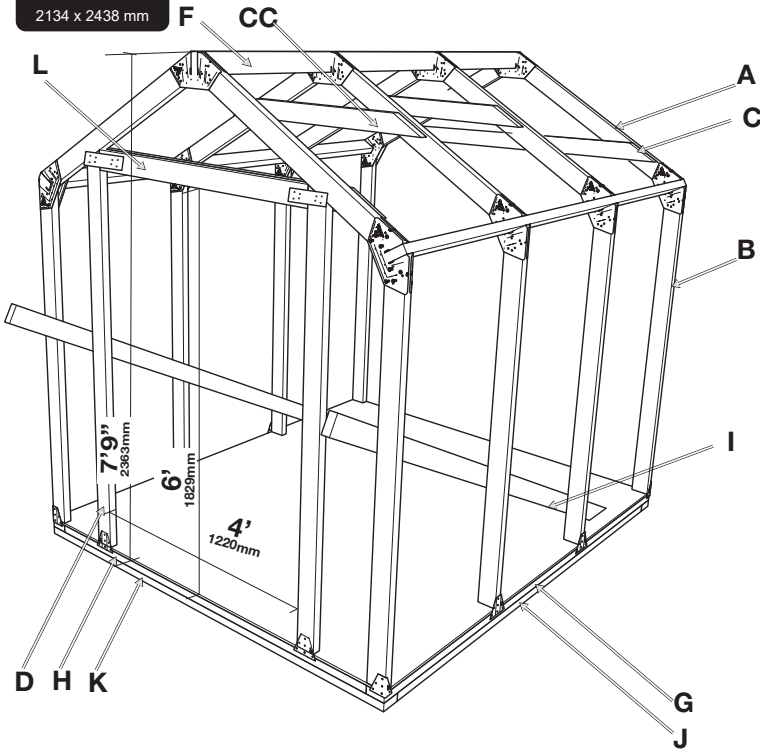
RECOMMENDED TOOLS



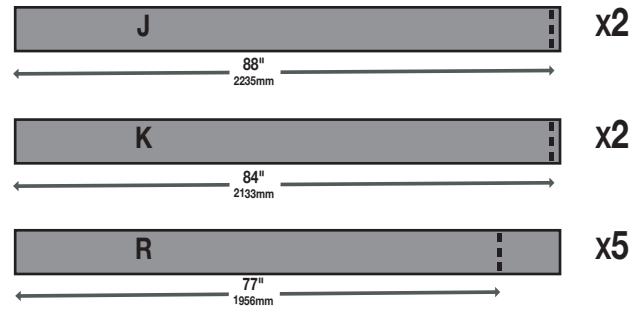
MATERIAL LIST BY BUILDING SIZE

		7 ft. wide x 8 ft. long	8 ft. wide x 14 ft. long	10 ft. wide x 22 ft. long
1	Ez Builder kit	1	2	3
2	8 ft. 2x4's	27	35	14
3	10 ft. 2x4's	\	14	20
4	12 ft. 2x4's	5	\	7
5	14 ft. 2x4's	\	6	24
6	16 ft.2x4's	\	\	6
7	8 ft. Pressure-Treated 2x4's	9	12	\
8	10 ft. Pressure-Treated 2x4's	\	\	18
9	12 ft. Pressure-Treated 2x4's	\	\	1
10	14 ft. Pressure-Treated 2x4's	\	2	\
11	16 ft. Pressure-Treated 2x4's	\	\	2
12	8 ft. 1x4's	4	6	10
13	4x8 Sheets for Roof - 1/2 in.	3	6	9
14	4x8 Sheets for Sheathing- 1/2 in.	7	12	18
15	4x8 Sheets for floor 3/4 in.	2	4	7
16	Roofing Material	64 SQ.ft.	150 SQ.ft.	264 SQ.ft.
17	 1 1/4 in. 32mm Galvanized wood screws	3 lbs./ 1.4kg	4 lbs./ 1.9kg	5 lbs./ 2.3kg
18	 2 1/2 in. 64mm Galvanized wood screws	3 lbs./ 1.4kg	4 lbs./ 1.9kg	5 lbs./ 2.3kg

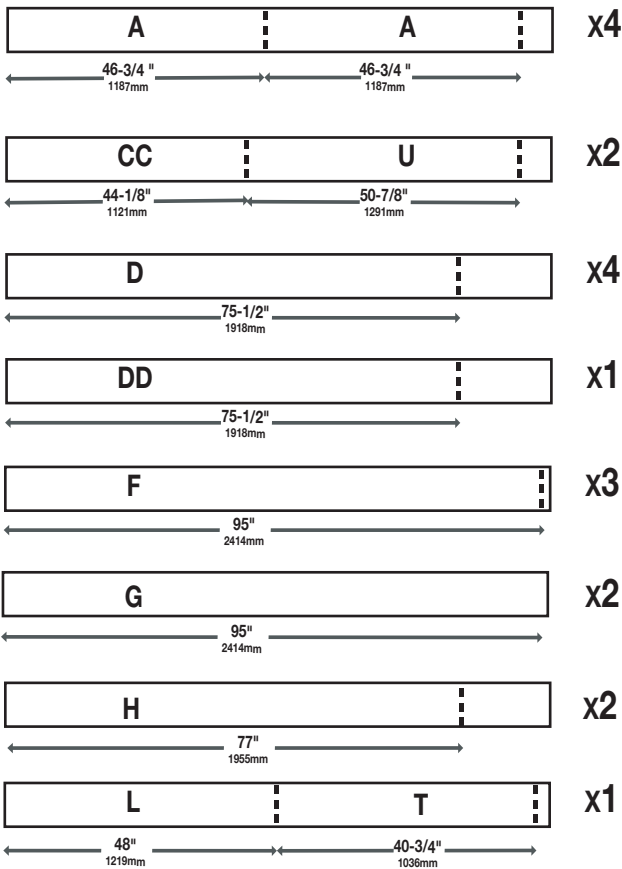
7 ft. x 8 ft.
2134 x 2438 mm



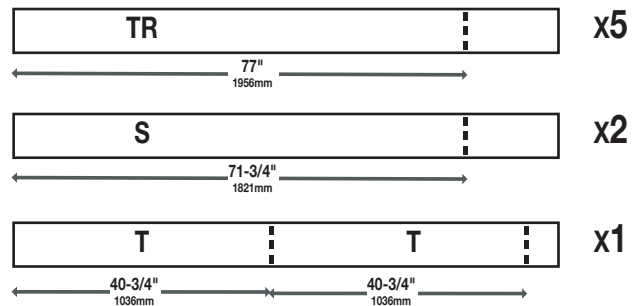
2x4 x 8ft. 38x89x2438mm
Pressure treated



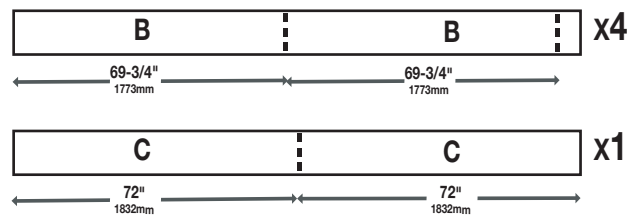
2x4 x 8ft. 38x89x2438mm



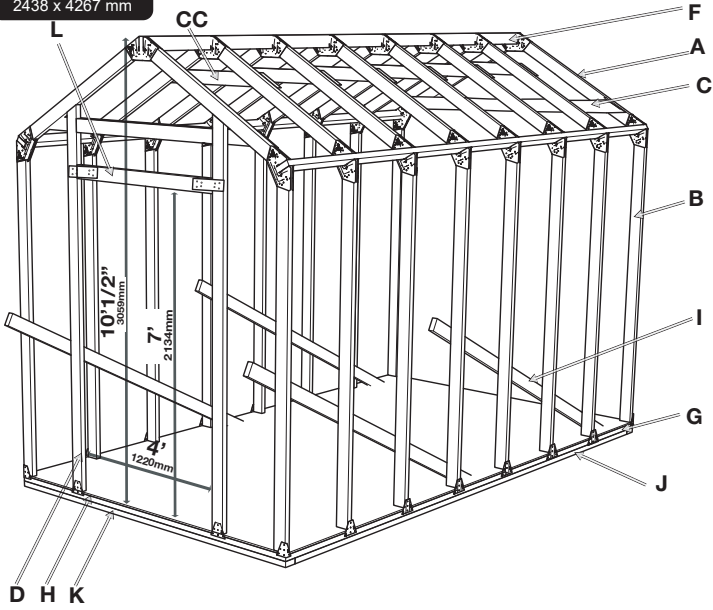
2x4 x 8ft. 38x89x2438mm



2x4 x 12ft. 38x89x3657mm



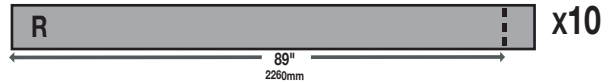
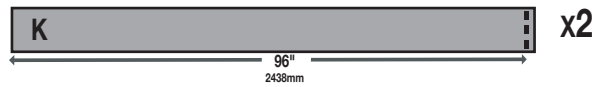
8 ft. x 14 ft.
2438 x 4267 mm



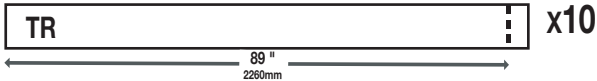
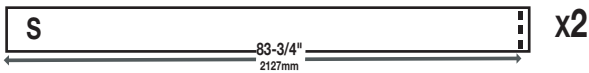
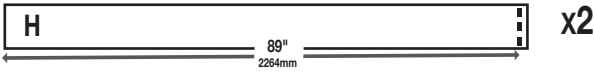
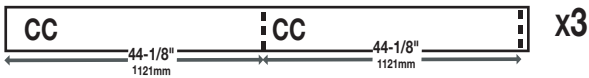
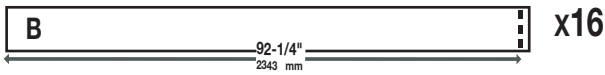
2x4 x 14ft. 38x89x4267mm



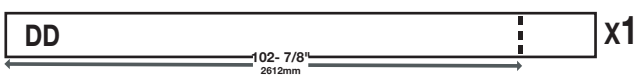
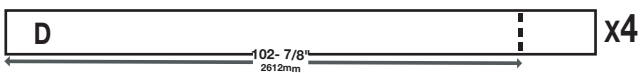
2x4 x 8ft. 38x89x2438mm
Pressure treated



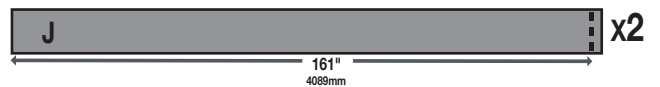
2x4 x 8ft. 38x89x2438mm



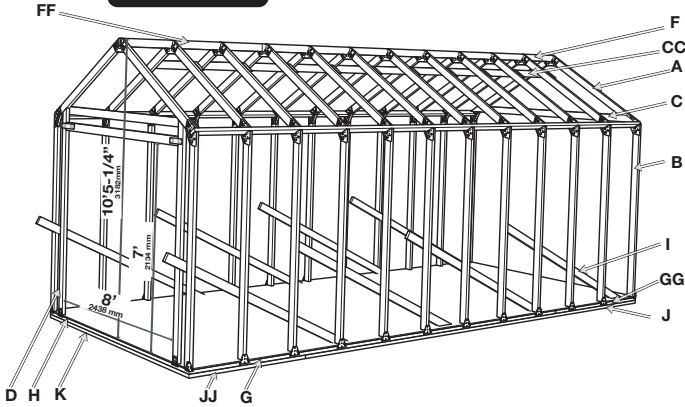
2x4 x 10ft. 38x89x3048mm



2x4 x 14ft. 38x89x4267mm
Pressure treated



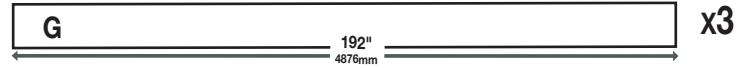
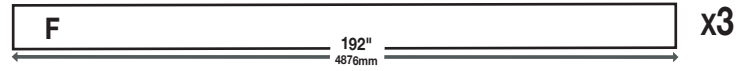
10 ft. x 22 ft.
3048 x 6706 mm



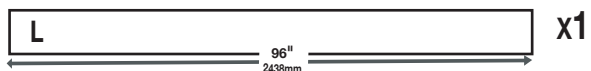
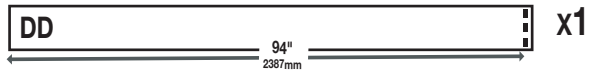
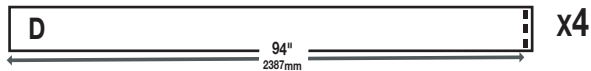
2x4 x 14ft. 38x89x4267mm



2x4 x 16ft. 38x89x4877mm



2x4 x 8ft. 38x89x2438mm



2x4 x 10ft. 38x89x3048mm

Pressure treated



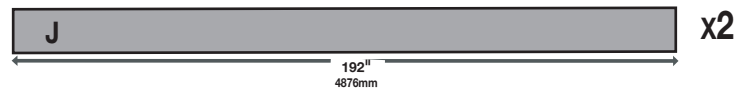
2x4 x 12ft. 38x89x3657mm

Pressure treated

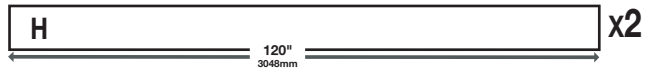


2x4 x 16ft. 38x89x4877mm

Pressure treated



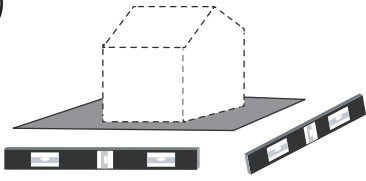
2x4 x 10ft. 38x89x3048mm



2x4 x 12ft. 38x89x3657mm



1




GROUNDS SHOULD BE LEVEL PRIOR TO ASSEMBLY.

2

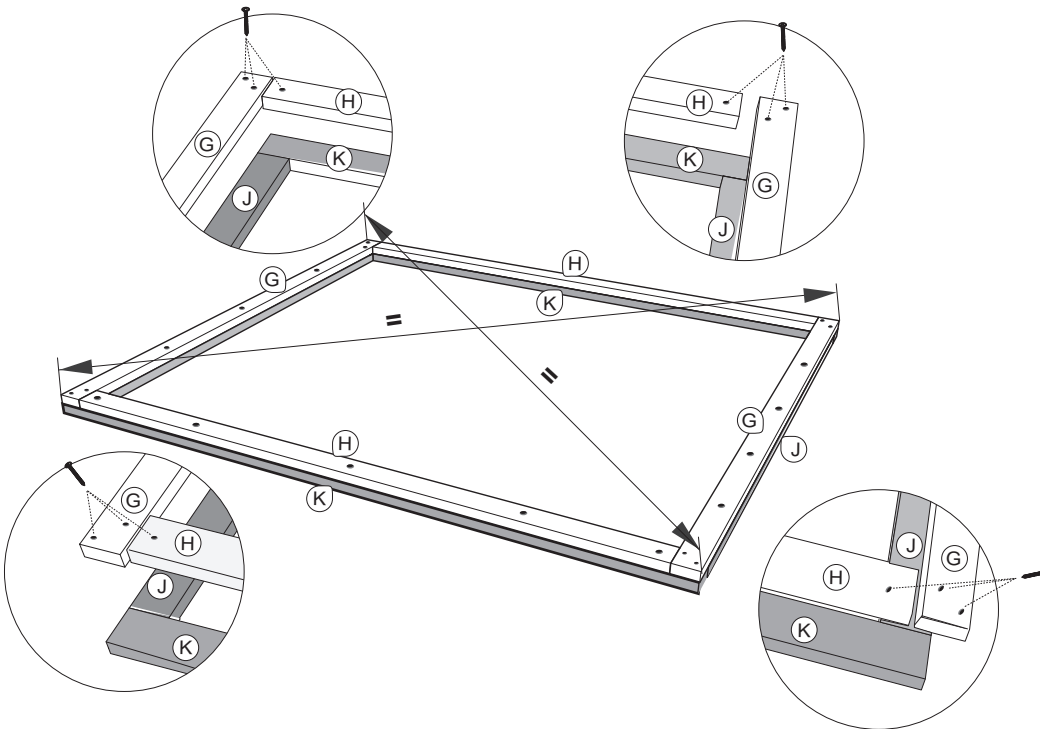
7 ft. x 8 ft.
2134 x 2438 mm

8 ft. x 14 ft.
2438 x 4267 mm

 Pressure-Treated 2x4's

1. Cut and stack all lumber in separate piles.
2. Use 2-1/2" Screws to build the base frame and make sure to overlap the ends to make a solid frame.
3. Put a screw every 20" except where we show to put 2 screws in the corners
4. Ensure the base frame is square by making diagonal measurements equal.

2 1/2in. 64mm



7 ft. x 8 ft.
2134 x 2438 mm

30

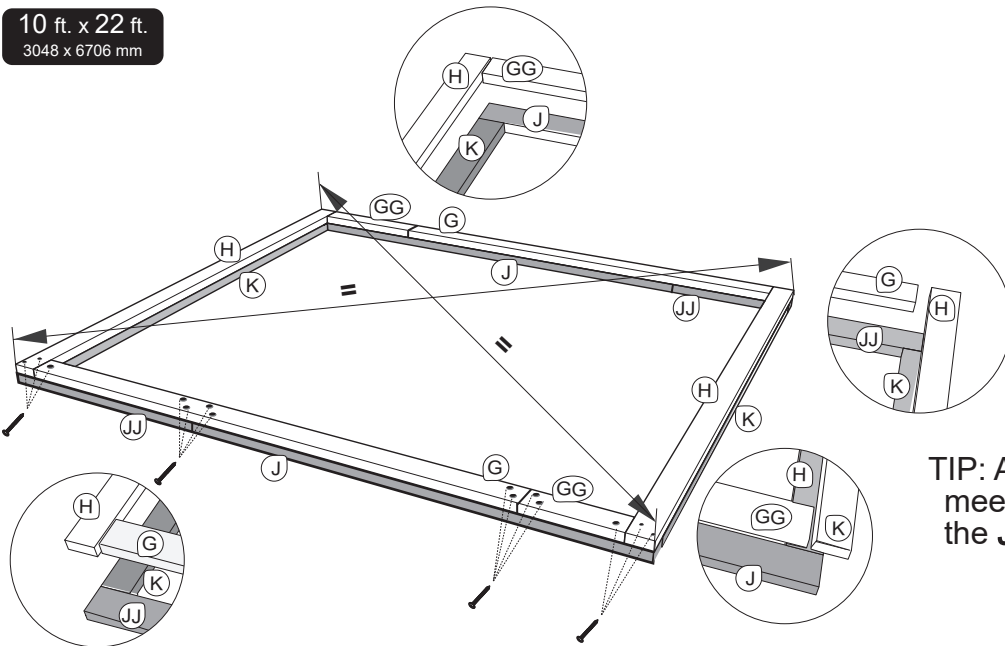
8 ft. x 14 ft.
2438 x 4267 mm

40

10 ft. x 22 ft.
3048 x 6706 mm

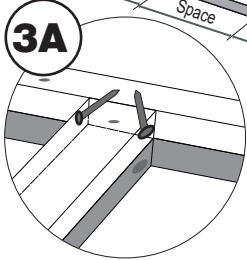
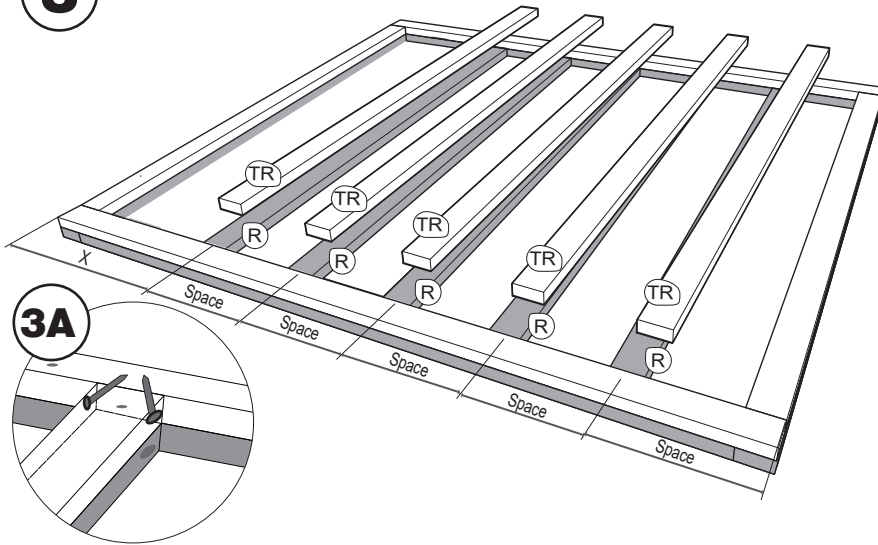
54

10 ft. x 22 ft.
3048 x 6706 mm



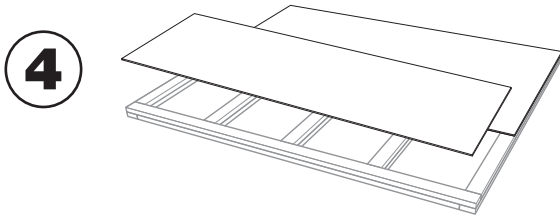
TIP: Add extra screws where the GG meet the G and where the JJ meet the J

3 Drawing showing 7' X 8'



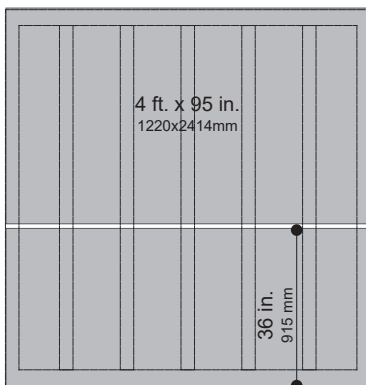
	7 ft. x 8 ft. 2134mm x 2438mm	8 ft. x 14 ft. 2438mm x 4267mm	10 ft. x 22 ft. 3048mm x 6705mm
R=	5	10	16
TR=	5	10	16
Space=	16 in. 406mm	16 in. 406mm	16 in. 406mm

1. Toe nail (using 2-1/2" screws) **R** and **TR** to the base frame every 16" on center . Lookup 3A
2. Screw **TR** to **R** together with 2-1/2" screws every 20"



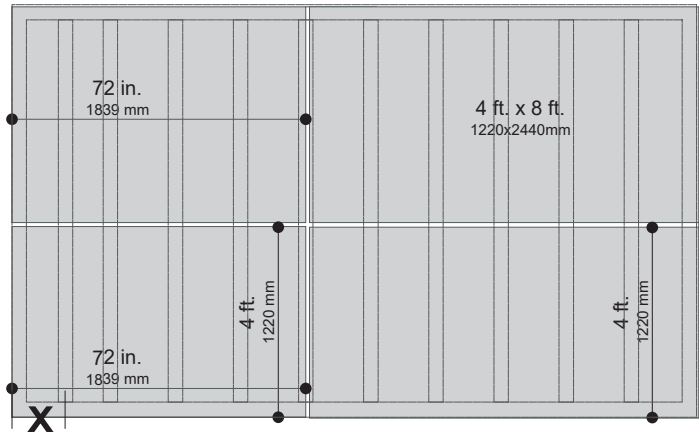
1. Use 2-1/2" screws to secure the plywood to the base frame.

7 ft. x 8 ft.
2134 x 2438 mm



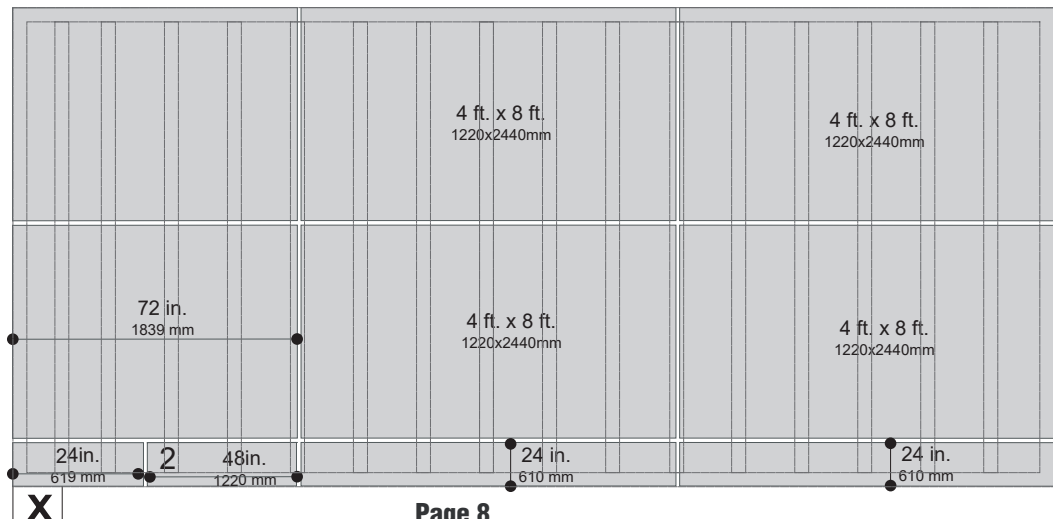
8 ft. x 14 ft.
2438 x 4267 mm

Start with a full sheet of plywood at the opposite side of the X .

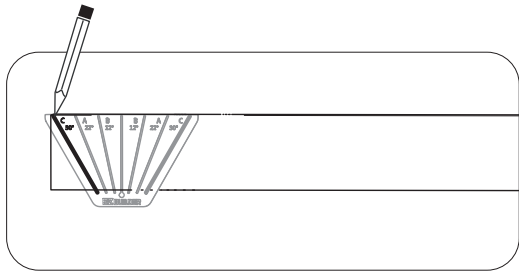


10 ft. x 22 ft.
3048 x 6706 mm

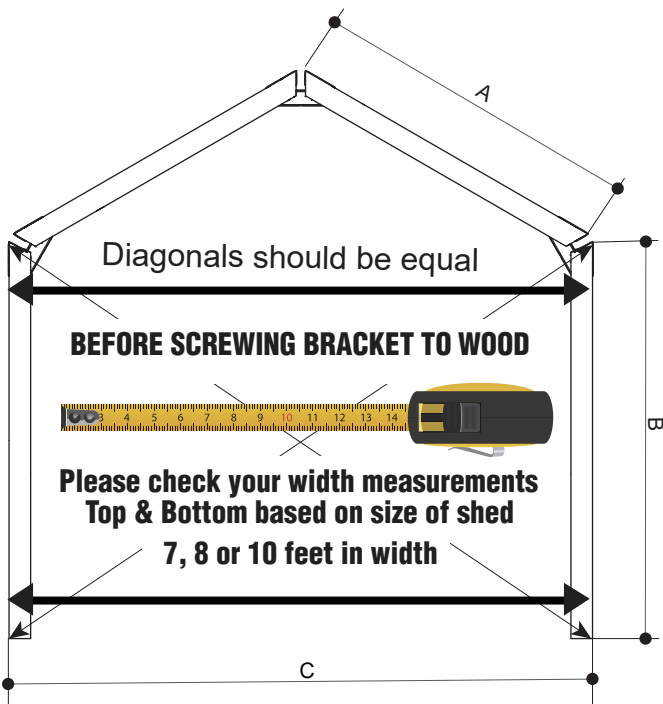
Start with a full sheet of plywood at the opposite side of the X .



5



1. Cut part "A" on **Both ends** with an angle.
2. Cut part "B" **ONE end** with an angle. Use EZBuilder Angle Jig "C" to mark all angles that need to be cut.

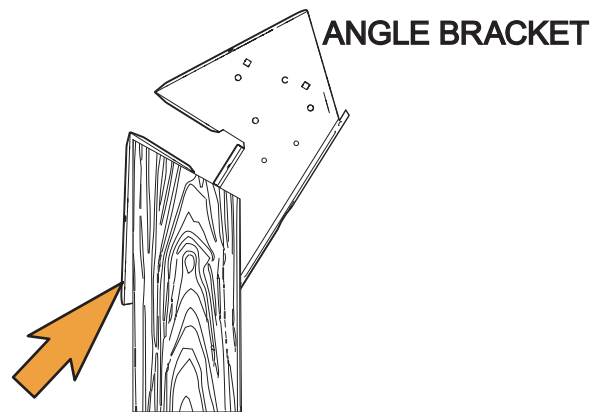
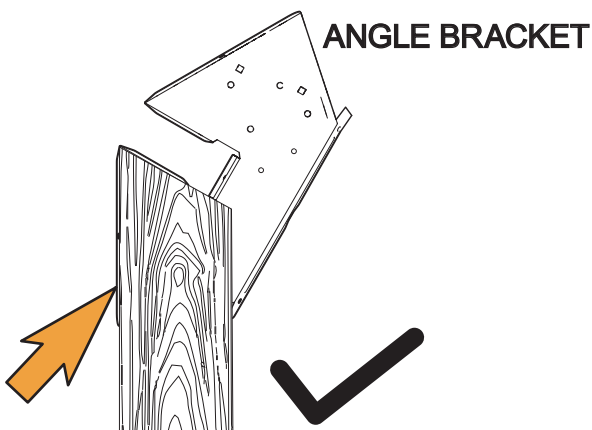


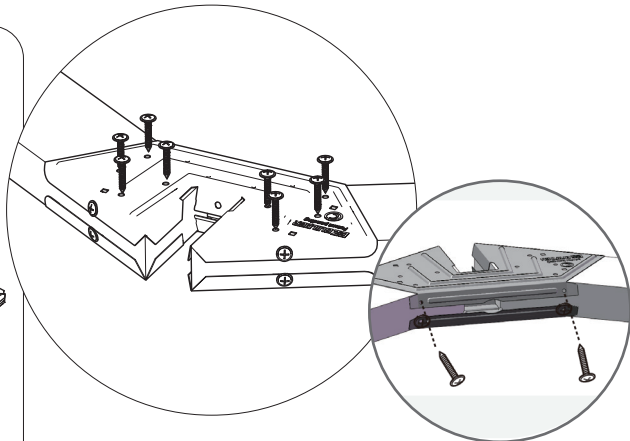
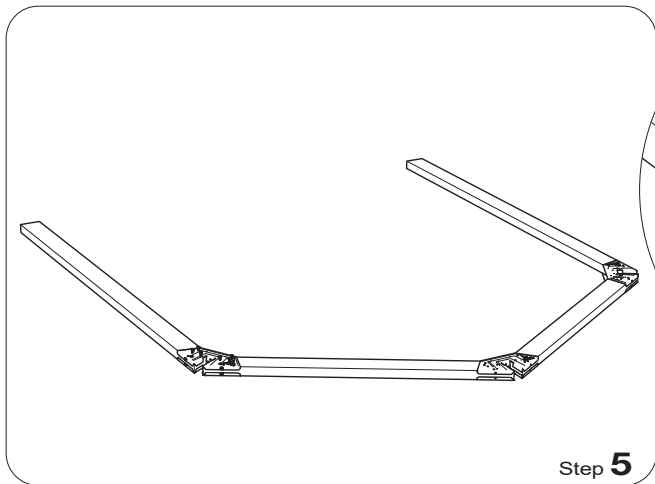
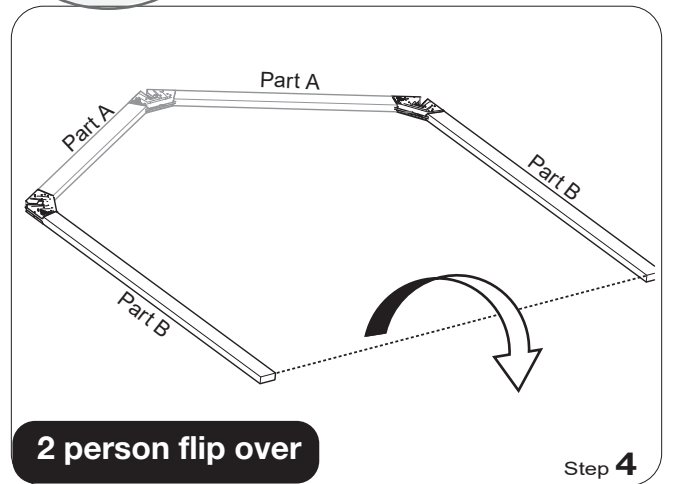
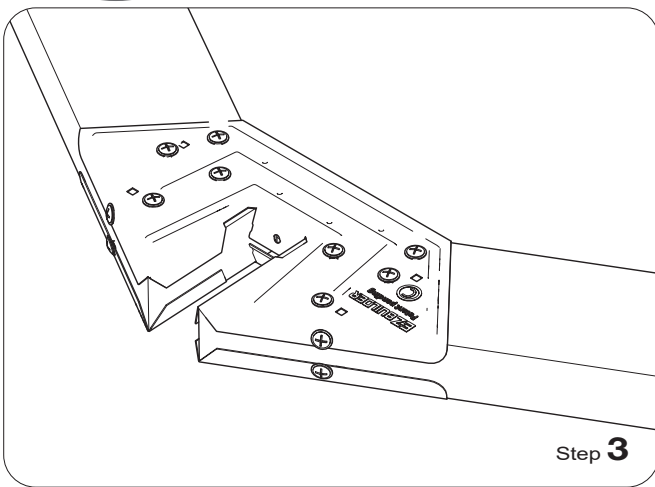
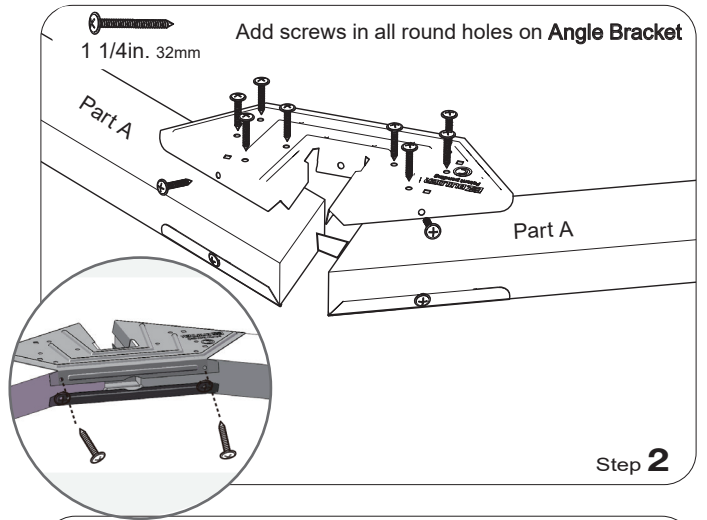
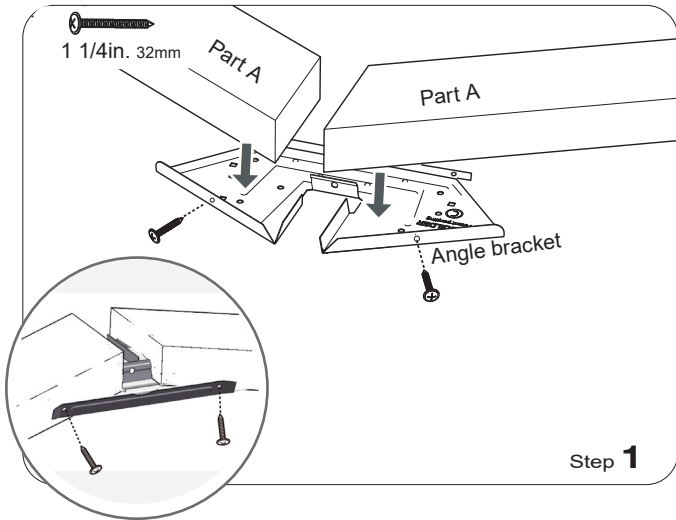
	7 ft. x 8 ft. 2134mm x 2438mm	8 ft. x 14 ft. 2438mm x 4267mm	10 ft. x 22 ft. 3048mm x 6705mm
A	8 pcs 46-3/4 in. 1187mm	16 pcs 53-1/2 in. 1359 mm	24 pcs 67-1/2 in. 1715 mm
B	8 pcs 69-3/4 in. 1773mm	16 pcs 92-1/4 in. 2343mm	24 pcs 92-1/4 in. 2292mm
C	84 in. 2136 mm	96 in. 2438 mm	120 in. 3048 mm

3. Begin arch assembly by sliding 2 Part A into the top of the EZ Builder **ANGLE BRACKET**. Check page 10 step 1 and 2.

Attach the other 2 EZ Builder **ANGLE BRACKETS** to the bottom of part

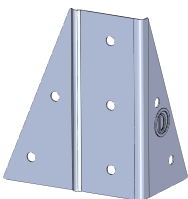
A and secure with 1-1/4" screws. In order to make sure each arch is built the same.



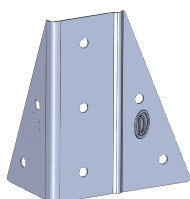


6

Bend 2 Stud Brackets on the left and 2 on the right



Bottom



Bottom

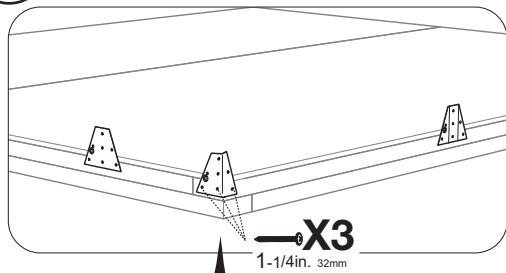


Stud Bracket
bottom view

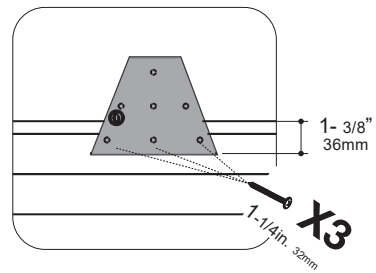


2x4 wood

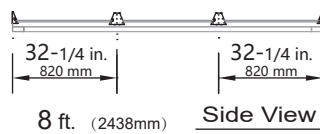
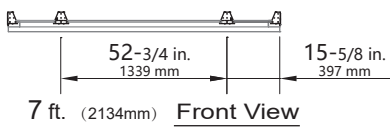
7



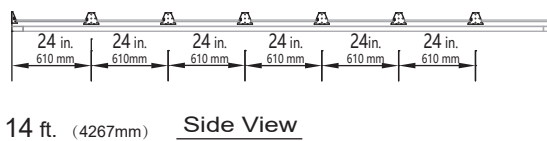
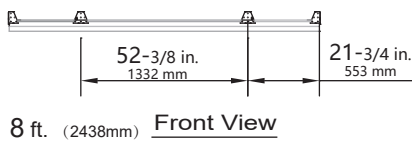
Use the bent stud brackets for the 4 corners



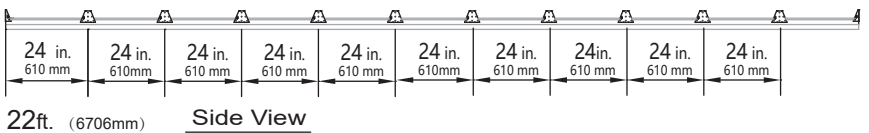
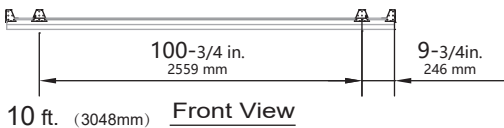
7 ft. x 8 ft.
2134 x 2438 mm



8 ft. x 14 ft.
2438 x 4267 mm

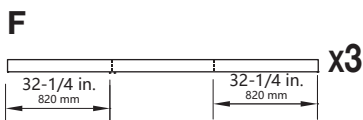


10 ft. x 22 ft.
3048 x 6706 mm

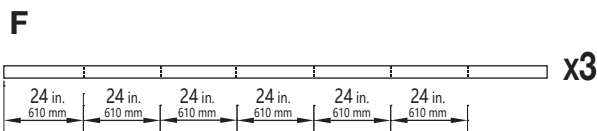


8 Draw a center line for Part F

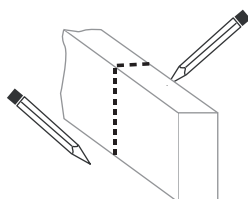
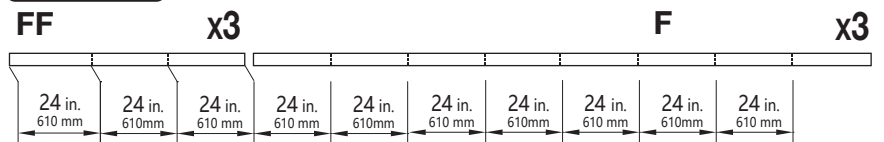
7 ft. x 8 ft.
2134 x 2438 mm



8 ft. x 14 ft.
2438 x 4267 mm



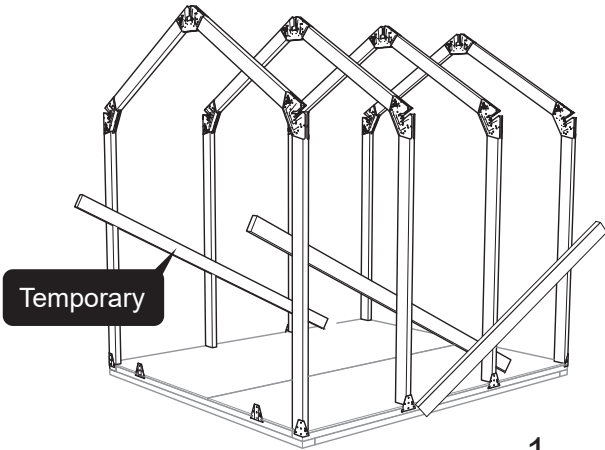
10 ft. x 22 ft.
3048 x 6706 mm



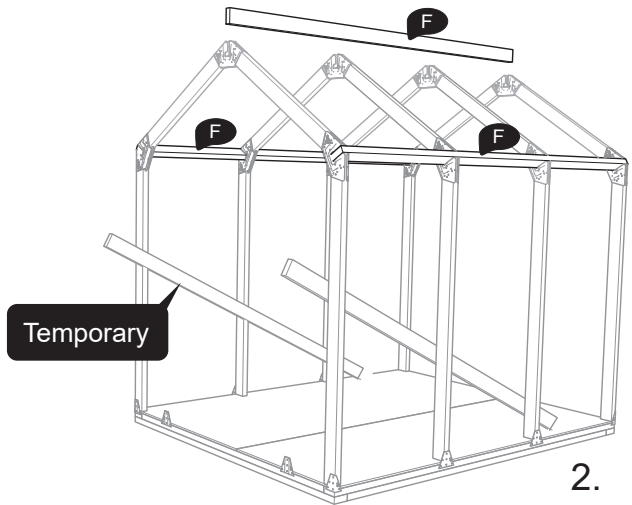
9

7 ft. x 8 ft.
2134 x 2438 mm

8 ft. x 14 ft.
2438 x 4267 mm

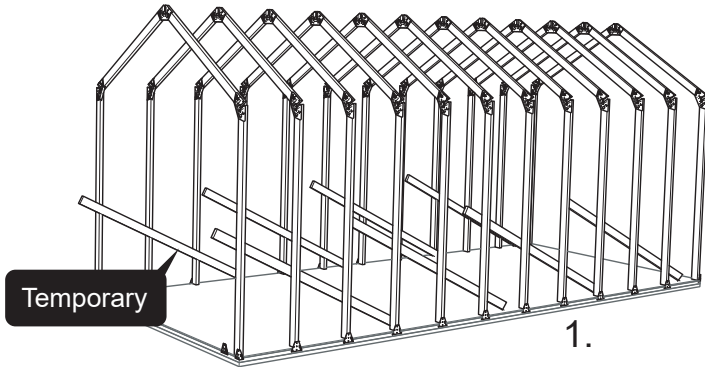


1.

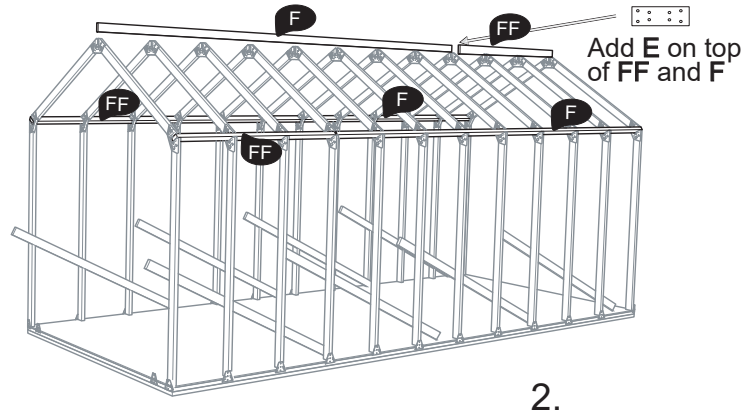


2.

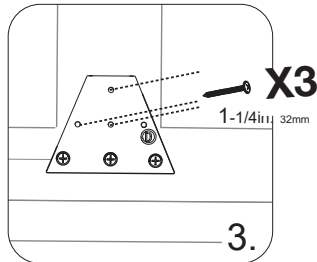
10 ft. x 22 ft.
3048 x 6706 mm



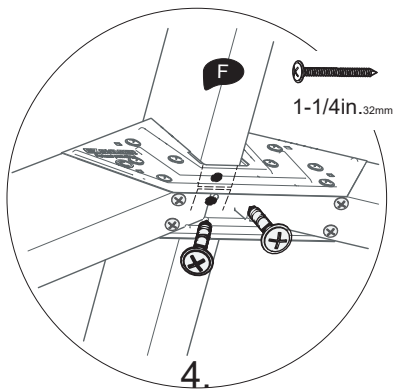
1.



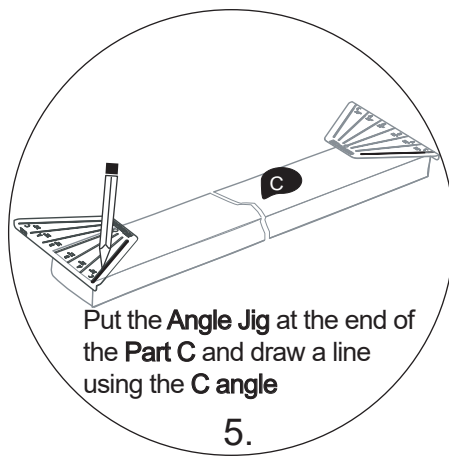
2.



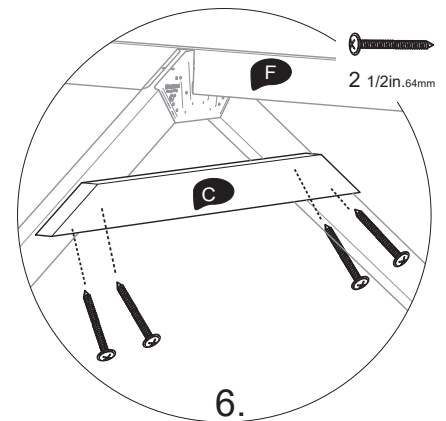
3.



4.



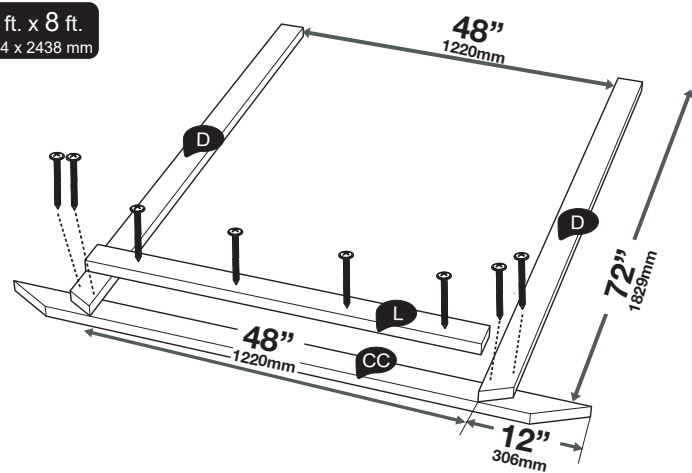
5.



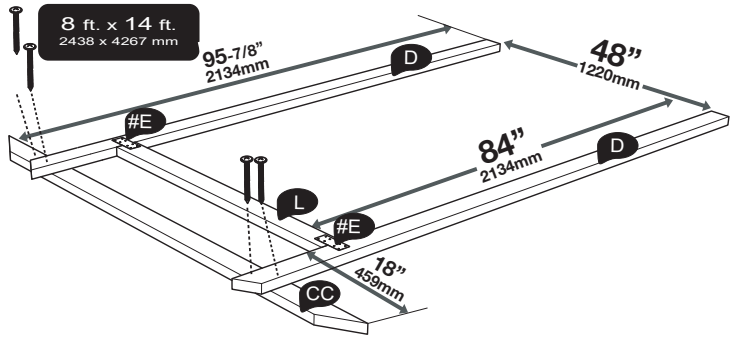
6.

10 Door Jambs

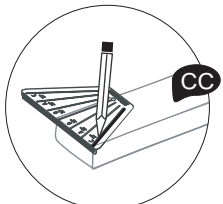
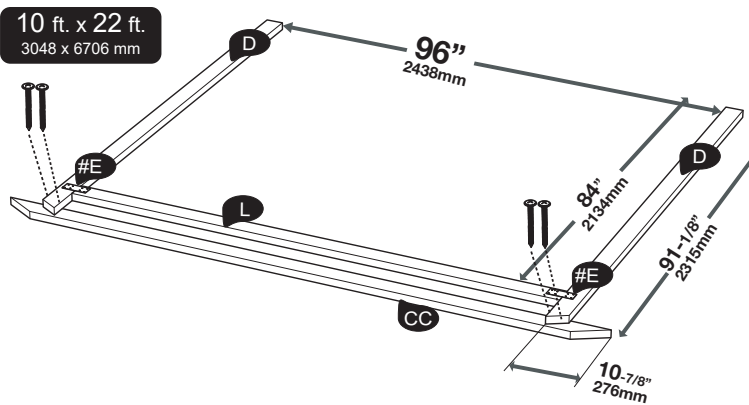
7 ft. x 8 ft.
2134 x 2438 mm



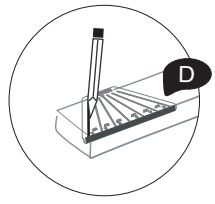
8 ft. x 14 ft.
2438 x 4267 mm



10 ft. x 22 ft.
3048 x 6706 mm



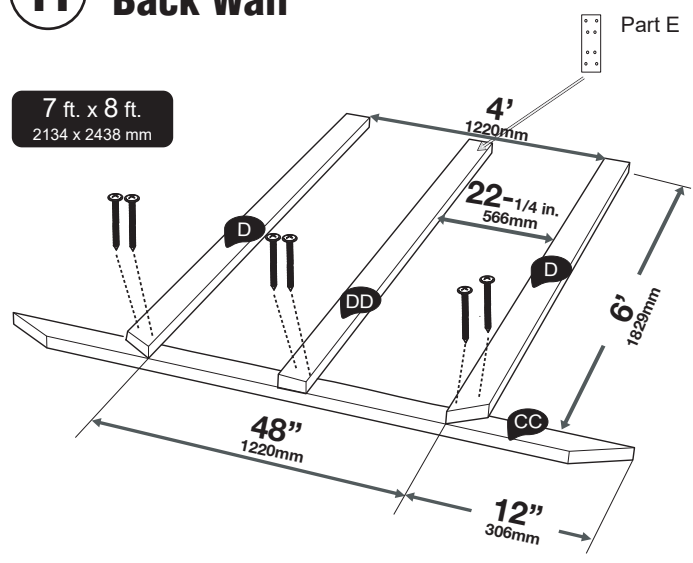
Put the Angle Jig at the end of Part CC and draw a line using the C angle



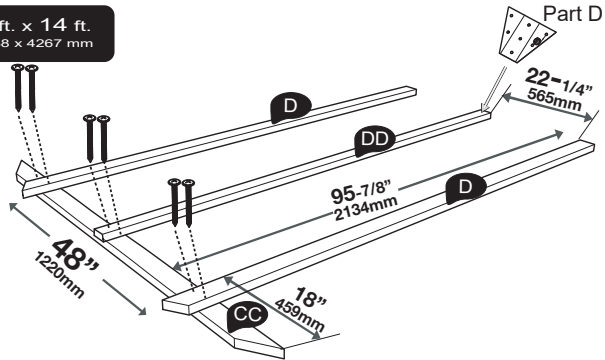
Put the Angle Jig at the side of Part D and draw a line using the C angle

11 Back Wall

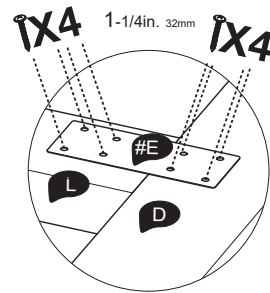
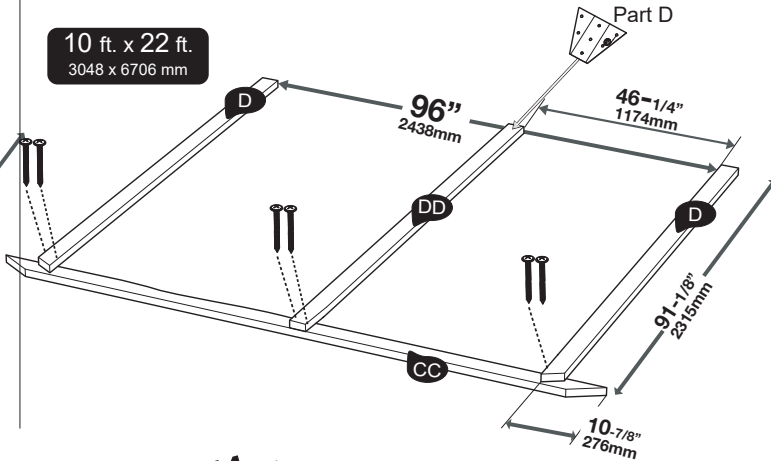
7 ft. x 8 ft.
2134 x 2438 mm



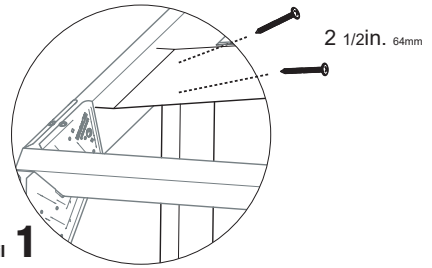
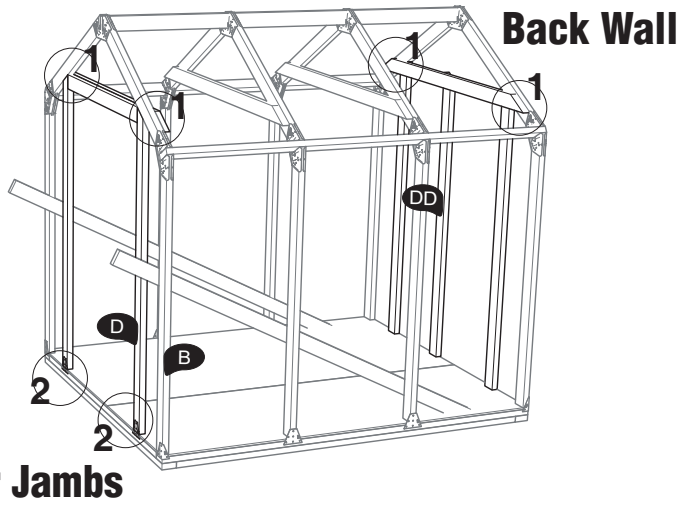
8 ft. x 14 ft.
2438 x 4267 mm



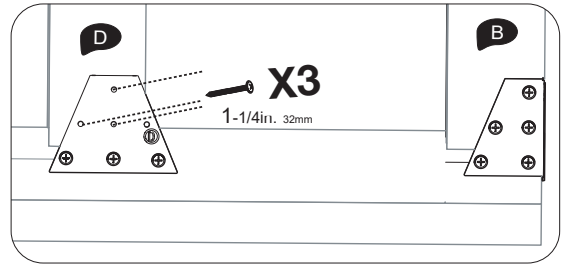
10 ft. x 22 ft.
3048 x 6706 mm



12



Detail 1



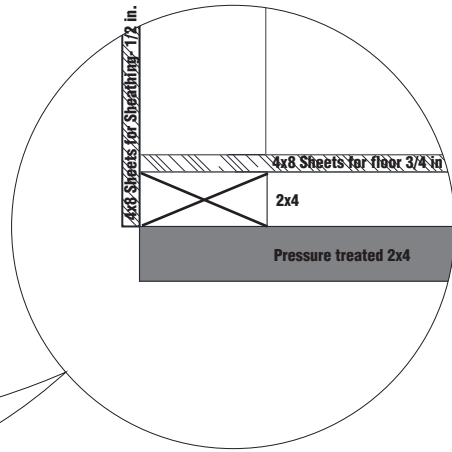
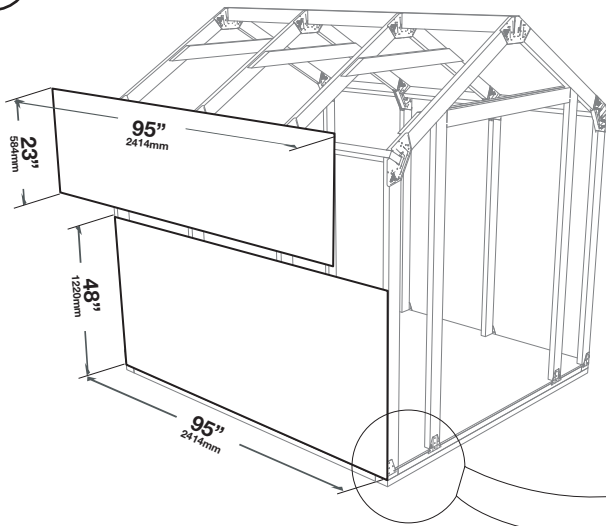
Detail 2

13

7 ft. x 8 ft.
2134 x 2438 mm

1-1/4 in. 32mm

Add a screw every 20" on every stud.



8 ft. x 14 ft.
2438 x 4267 mm

10 ft. x 22 ft.
3048 x 6706 mm

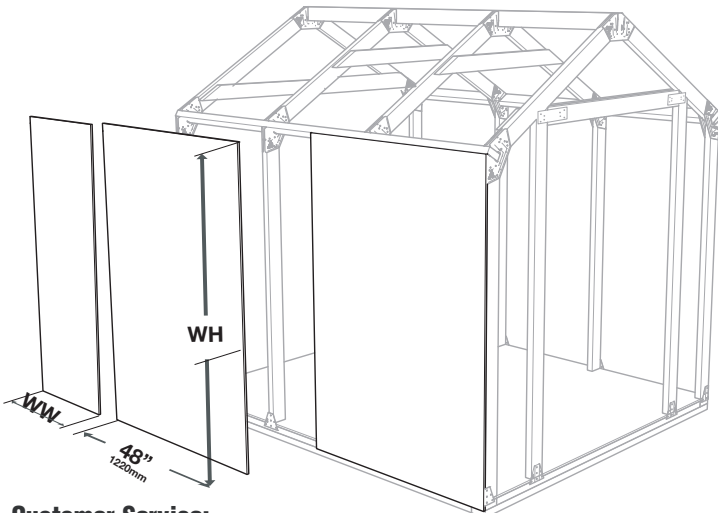
1-1/4 in. 32mm

Add a screw every 20" on every stud.

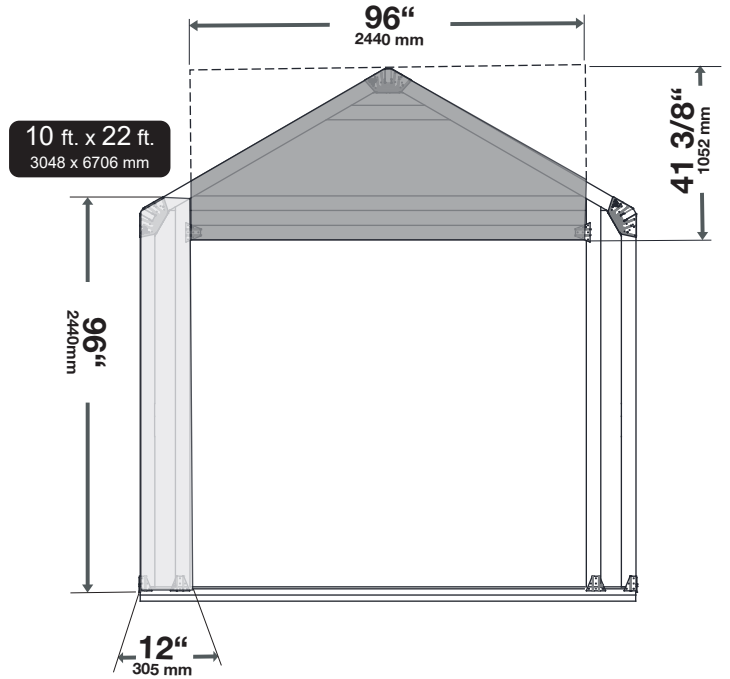
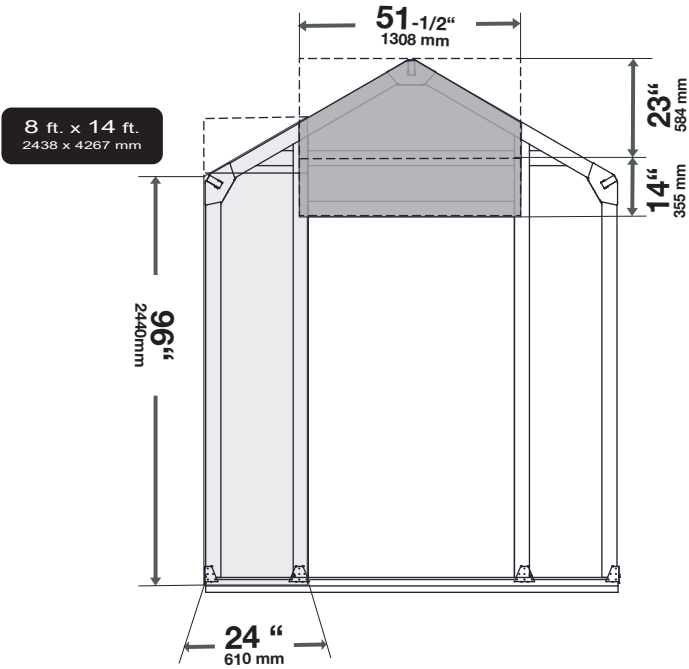
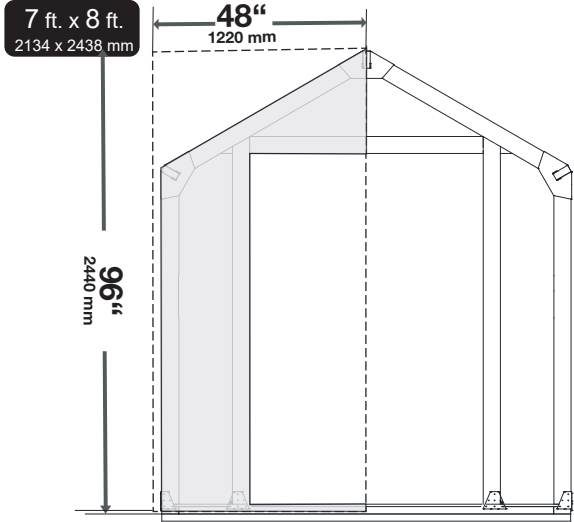
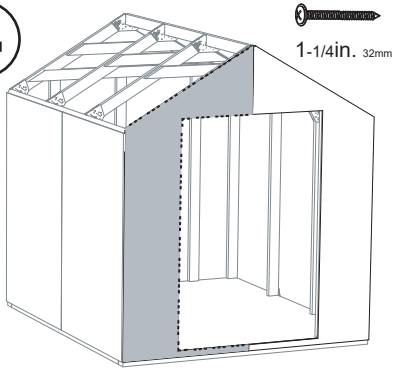
8 ft. x 14 ft.
2438mm x 4267mm

10 ft. x 22 ft.
3048mm x 6705mm

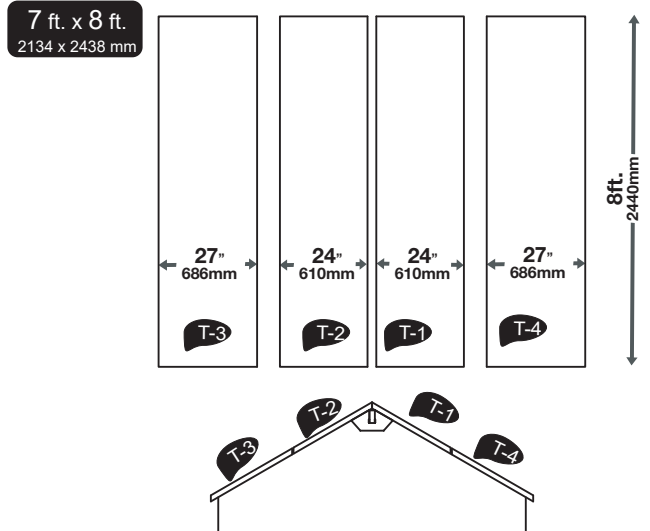
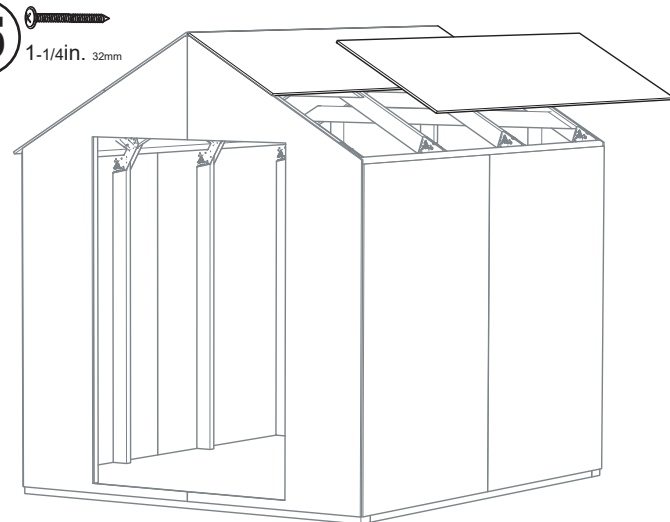
	6 pcs	10 pcs
WH width 48"	95 in. 2412 mm	93 in. 2361 mm
	2 pcs	2 pcs
WW	23-7/8 in. 607 mm	23-7/8 in. 607 mm



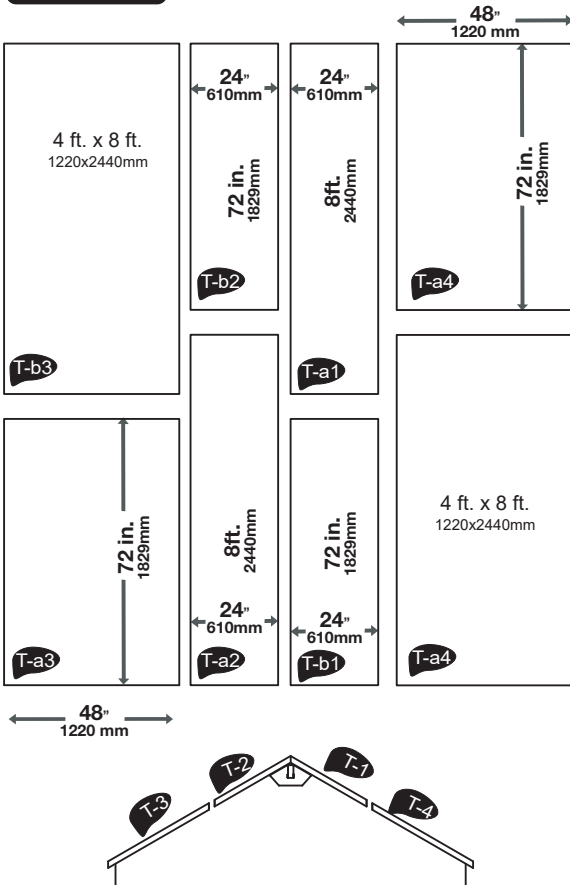
14



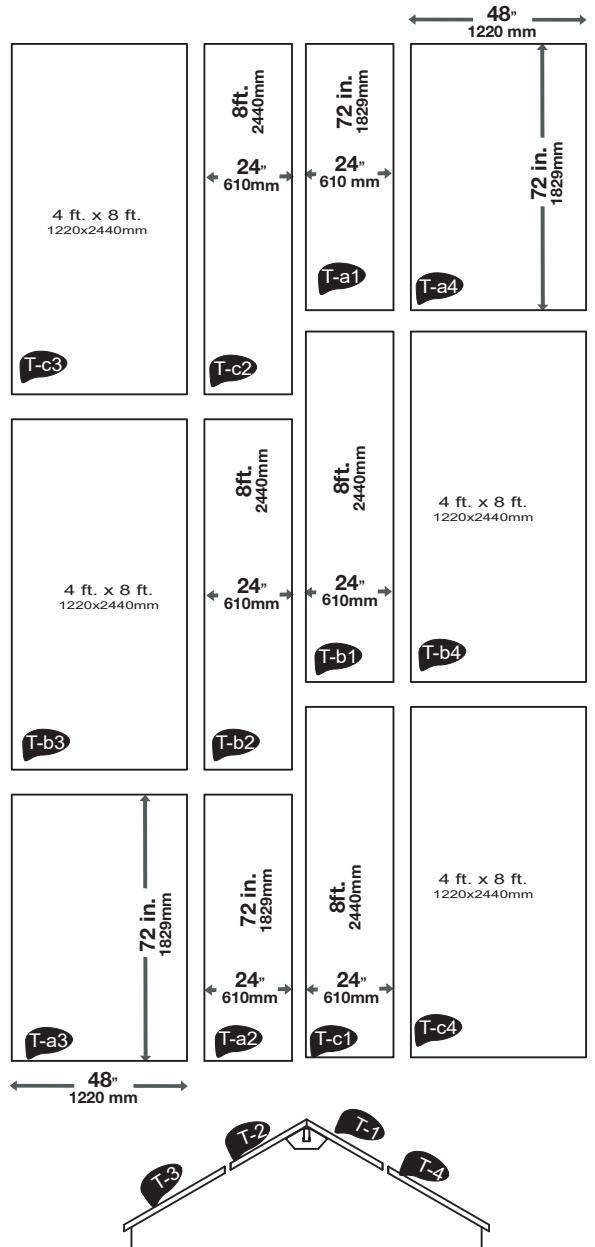
15



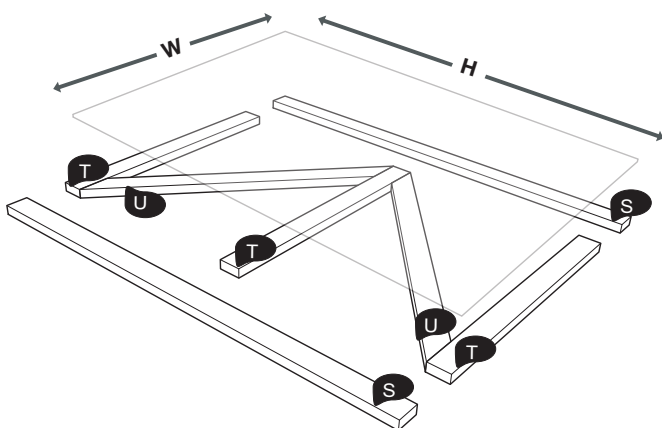
8 ft. x 14 ft.
2438 x 4267 mm



10 ft. x 22 ft.
3048 x 6706 mm



16 Door



	W	H	
7 ft. x 8 ft. 2134 x 2438 mm	47-3/4 in. 1212 mm	71-3/4 in. 1821 mm	x1
8 ft. x 14 ft. 2438 x 4267 mm	47-3/4 in. 1212 mm	83-3/4 in. 2127 mm	x1
10 ft. x 22 ft. 3048 x 6706 mm	47-3/4 in. 1212mm	83-3/4 in. 2127 mm	x2

If you have a question or concern

Email: service@neopmail.net or call 203-591-9033