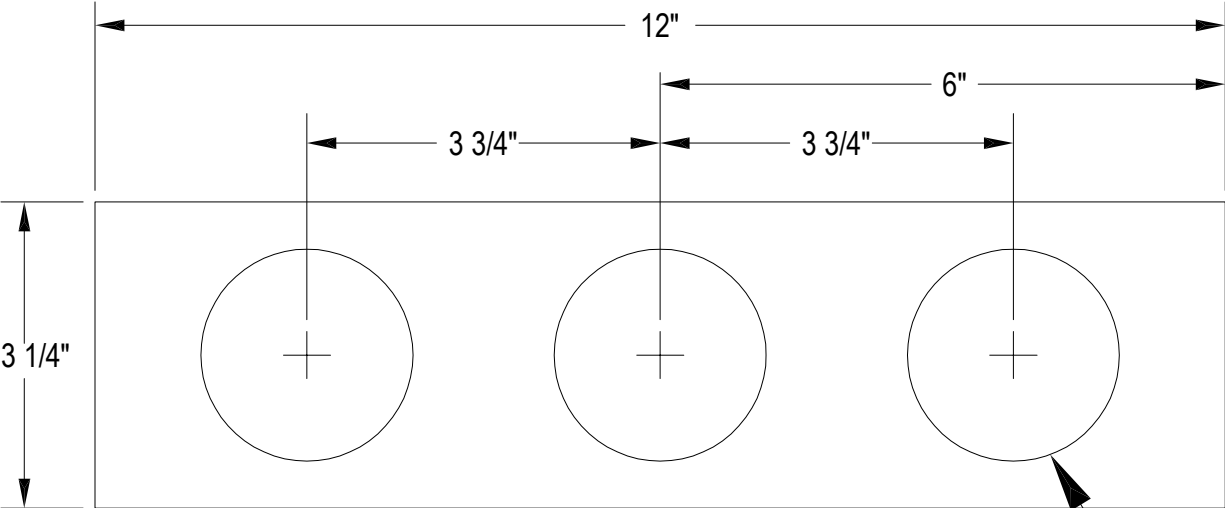


# Top View



2 1/4" Holes  
(Typical of 3)

# Side View

