

VPV 4-1100

1.1.2019



KBI Website

Dimensions

- A Width 51"
- B Depth 53"
- C Height 57"

Weight

3,350 lbs

For excavators

35,300 - 48,500 lbs

For loaders

N/A

Hydraulic Flow

40 gpm - continuous flow

Volume ISO/SAE

1.3 yd³ / 1.6 yd³

Screening area

1.7 yd²

Number of axles

4

Blade thickness

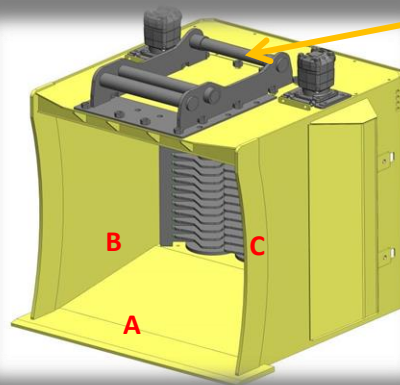
10 mm

Blade material

Hardox 500

Blade spacing

25 mm



Bolt plate for excavator mount



Working pressure 2,700 - 3,000 Psi, max. pressure 3,050 PSI

* Please note when used with combination machines where back and front attachments are possible the recommended base machine weights can be higher

Main applications

- *topsoil screening / black dirt reclamation
- *producing quality soil and mixed materials
- *pipe back filling
- *screening demolition worksite waste materials
- *foundation back filling
- *asphalt pot hole filling

- *recycling materials
- *composting
- *aerating biomaterials
- *screening stones
- *peat
- *curb & gutter back filling

- Back fill foundation - dig line

- The unique center twin spiral (off-set to center) rotor blade design reduce hydraulic motor load requirement - reducing load to entire tractor system

- Viper VPV4-1100 range includes buckets for 35,000 - 48,500 lb excavators



Call Ken Burns Inc
(563) 927-2307
kbiwdc@gmail.com

www.KENBURNSINC.com



Ken Burns Inc
Contact Information

WATCH VIDEOS ON OUR WEBSITE