



# HDVIEW Camera

5MP IR Fixed Turret Network Camera



## Key Features

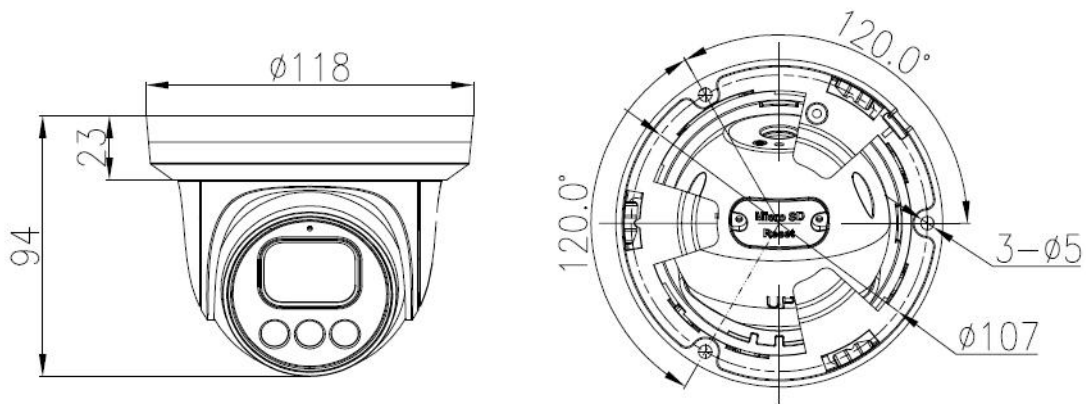
- 1/2.8" progressive scan CMOS
- Max. 5MP(2592×1944) @25/30fps resolution
- WDR, 3D DNR, ROI, HLC, BLC, Defog
- Support face, human, vehicle detection and capture
- Smart events: intrusion, single line crossing, double line crossing, loitering, wrong way, people counting
- Smart IR distance up to 30m
- Built-in microphone
- Built-in SD card slot, IP66, PoE

# Specification

| Camera                      |   |
|-----------------------------|---|
| Image Sensor                | 1/2.8" Progressive Scan CMOS  |
| Max. Resolution             | 5MP (2592×1944)   |
| Electronic Shutter          | Auto/Manual, 1/5 ~ 1/20,000s  |
| Min. illumination           | Color: 0.03 Lux @ (F1.6, AGC ON) ,<br>B/W: 0 Lux @ (IR LED ON)  |
| Day & Night                 | IR cut filter   |
| IR Distance                 | Up to 30 m (98.4 ft)  |
| Illumination On/Off Control | Auto/Manual   |
| Pan/Tilt/Rotation Range     | Pan: 0° ~ 355°, Tilt: 0° ~ 80°, Rotation: 0° ~ 360°   |
| Lens                        |   |
| Lens Type                   | Fixed focus   |
| Iris                        | Fixed Iris  |
| Focal Length                | 2.8 mm (4 mm optional)  |
| F Number                    | F2.0  |
| Angle of View               | H: 93.4°, V: 69.1°  |
| Video                       |   |
| Streaming Capability        | 3 Streams   |
| Stream/Frame Rate           | Stream1: 2592×1944, 2592×1520, 1920×1080,<br>1280×720 @ 25/30fps<br>Stream2: D1, VGA, CIF @ 25/30fps<br>Stream3: VGA, CIF, QVGA @25/30fps |
| Bit Rate Control            | CBR/VBR   |
| Bit Rate                    | Stream1: 200kbps~12Mbps<br>Stream2: 100kbps~6Mbps<br>Stream3: 100kbps~3Mbps   |
| Region of Interest          | Off/On (8 Zone, Rectangle)  |
| Smart Encode                | Support   |
| Image                       |   |
| Image Adjustment            | Brightness, Sharpness, Contrast, Saturation adjustable  |
| Aisle Mode                  | Support   |
| Mirror                      | Support   |
| White Balance               | Auto/Manual   |
| Day/Night Setting           | Auto, Day, Night, Time  |
| Smart IR                    | Support   |
| Noise Reduction             | 2D/3D DNR   |
| Image Enhancement           | HLC, BLC, Defog   |
| Wide Dynamic Range          | True WDR  |
| S/N Ratio                   | 55dB  |
| Motion Detection            | Support   |
| Privacy Masking             | Support   |

| Smart Function         |  |
|------------------------|--|
| Multi-Object Detection | Supports face, human, vehicle detection and capture  |
| Smart Events           | Intrusion, Single line crossing, Double line crossing, Loitering, Wrong way, People counting<br>Support alarm triggering by specified target types (human and vehicle) |
| Audio                  |  |
| Compression            | G.711, RAW_PCM   |
| Bit Rate               | 8kbps, 16kps, 64kbps   |
| Network                |  |
| Protocols              | IPv4/IPv6, 802.1x, HTTP, HTTPS, TCP/IP, UDP/IP, RTSP, DHCP, NTP, RTCP/RTP, PPPoE, SMTP, DNS, UPnP, FTP, ARP, SNMP, TLS/SSL   |
| Interoperability       | ONVIF, SDK, CGI  |
| Streaming Method       | Unicast  |
| Max. User Access       | 10 Users   |
| Web Viewer             | <IE11, Chrome, Firefox, Microsoft Edge   |
| Language               | English, Chinese, Polish, Italian, Portuguese, Spanish, Russian, French, Czech, Hungarian. Default: English  |
| Interface              |  |
| Network Interface      | 1 Ethernet (10/100 Base-T) RJ-45 Connector   |
| Built-in Microphone    | Yes  |
| Reset Button           | Support  |
| SD Card Slot           | Built-in, up to 256GB  |
| Electrical             |  |
| Power Supply           | DC12V (-15%~+25%)/POE (IEEE 802.3af)   |
| Power Consumption      | Max 6 W  |
| Operating Temperature  | -40°C ~ 55°C (-40°F ~ 131°F )  |
| Operating Humidity     | Less than 90% RH   |
| Ingress Protection     | IP66   |
| Certifications         | CE/FCC   |
| Casing                 | Metal + Plastic  |
| Dimensions             | φ 118×94 mm (4.65×3.7 inch)  |
| Net Weight             | 0.55 kg (1.21 lb)  |

## Dimensions (mm)



## Accessories

### Optional:



SN-CBK646M  
Junction Box



SN-CBK203  
Pendant Cap



SN-CBK402  
Pendant Mount



SN-CBK501  
Wall Mount



SN-CBK502  
Wall Mount



SN-CBK101  
Pole Mount



SN-CBK102  
Corner Mount