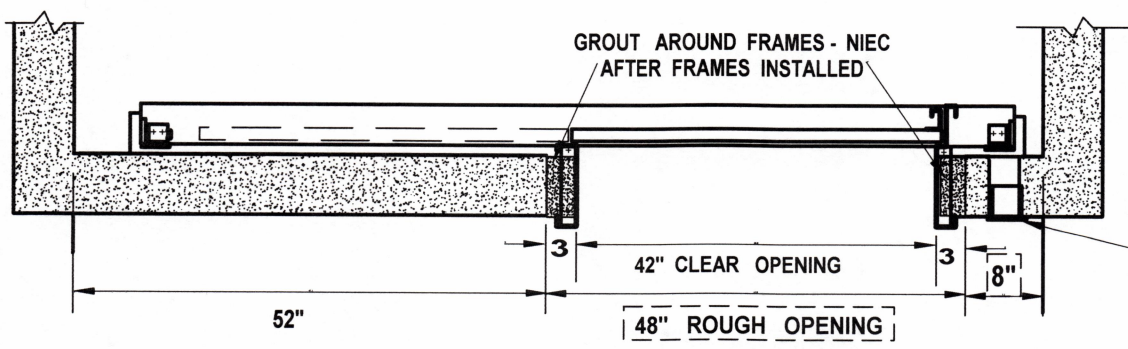


**PLAN VIEW OF HOISTWAY
UPPER FLOORS**

U. L. LABELED DOORS & FRAMES
FRAMES MUST BE INSTALLED BEFORE
WALL STUDS & DRYWALL
DRY WALL MUST FIT IN TO POCKET.
SEE DETAIL WALL JAMB INTERFACE

POSITION INDICATOR
TOP @ 84" ABOVE FLOOR
AT MAIN LOBBY.
BLOCK OUT 2 1/2" W BY
12 1/2" HIGH - N. I. E. C.

PUSH BUTTON C/L 42" ABOVE FLOOR
box 3" w by 8" typical



PLAN VIEW OF BLOCK/CONCRETE ENTRANCE
2800 LB CAP - ADA & AMBULANCE GURNEY SIZE
(Right hand doors shown - left hand opposite)
EXAMPLE ONLY NOT FOR CONSTRUCTION

PUSH BUTTON
C/L 42" ABOVE FLOOR
GAR. BLOCKOUT
3" w BY 12" h
N.I.E.C.