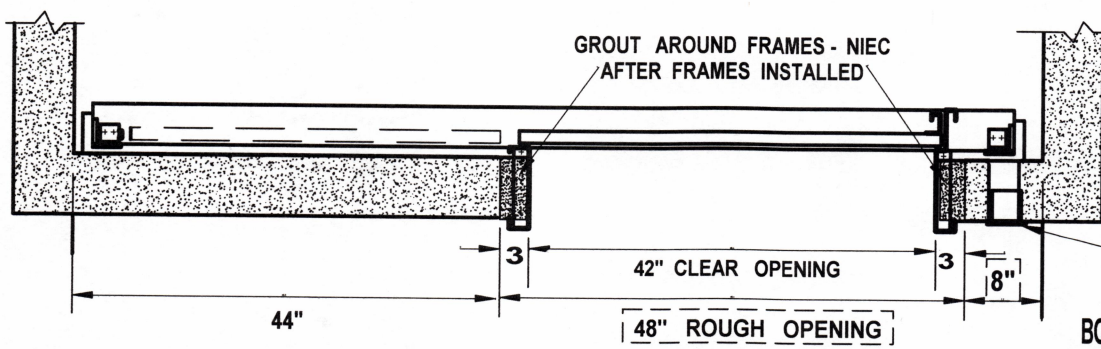


U. L. LABELED DOORS & FRAMES
FRAMES MUST BE INSTALLED BEFORE
WALL STUDS & DRYWALL
DRY WALL MUST FIT IN TO POCKET.
SEE DETAIL WALL JAMB INTERFACE

**PLAN VIEW OF HOISTWAY
UPPER FLOORS**

POSITION INDICATOR
TOP @ 84" ABOVE FLOOR
AT MAIN LOBBY.
BLOCK OUT 2 1/2" W BY
12 1/2" HIGH - N. I. E. C.

PUSH BUTTON
BOTTOM OF BOX 39" ABOVE FLOOR
box 4" w by 19" typical



PLAN VIEW OF BLOCK/CONCRETE ENTRANCE
3500 LB CAP - ADA & AMBULANCE GURNEY SIZE
(Right hand doors shown - left hand opposite)
EXAMPLE ONLY NOT FOR CONSTRUCTION

DELTA ELEVATOR CO - 562/630-5311